

US00D496543S1

(12) **United States Design Patent**
Forlenza

(10) **Patent No.:** **US D496,543 S**
(45) **Date of Patent:** **** Sep. 28, 2004**

(54) **TELEVISION STAND**
(75) Inventor: **A. Michael Forlenza**, La Jolla, CA
(US)
(73) Assignee: **Hitachi Home Electronics (America),**
Inc., Chula Vista, CA (US)
(**) Term: **14 Years**

D450,489 S 11/2001 Wong
D454,731 S * 3/2002 Niitsu D6/479
D457,755 S 5/2002 Sun et al.
D471,034 S 3/2003 Bong et al.
D477,159 S 7/2003 Niitsu
D478,746 S * 8/2003 Sumii D6/477
D483,966 S 12/2003 Forlenza et al.
2002/0146139 A1 10/2002 Oplinger
2003/0063227 A1 4/2003 Whitelaw
2003/0066463 A1 * 4/2003 Acevedo et al. 108/93

(21) Appl. No.: **29/193,202**
(22) Filed: **Nov. 5, 2003**

* cited by examiner
Primary Examiner—Cathron Brooks
(74) *Attorney, Agent, or Firm*—Knobbe, Martens, Olson &
Bear, LLP

(51) **LOC (7) Cl.** **06-04**
(52) **U.S. Cl.** **D6/477; D6/479**
(58) **Field of Search** D6/630, 477-479;
108/59, 64, 91-93, 107, 144.11, 147.11,
147.12, 147.13, 149, 151; 211/13.1, 42,
43, 49.1, 85.26, 134, 187-190, 153, 207;
312/7.2

(57) **CLAIM**

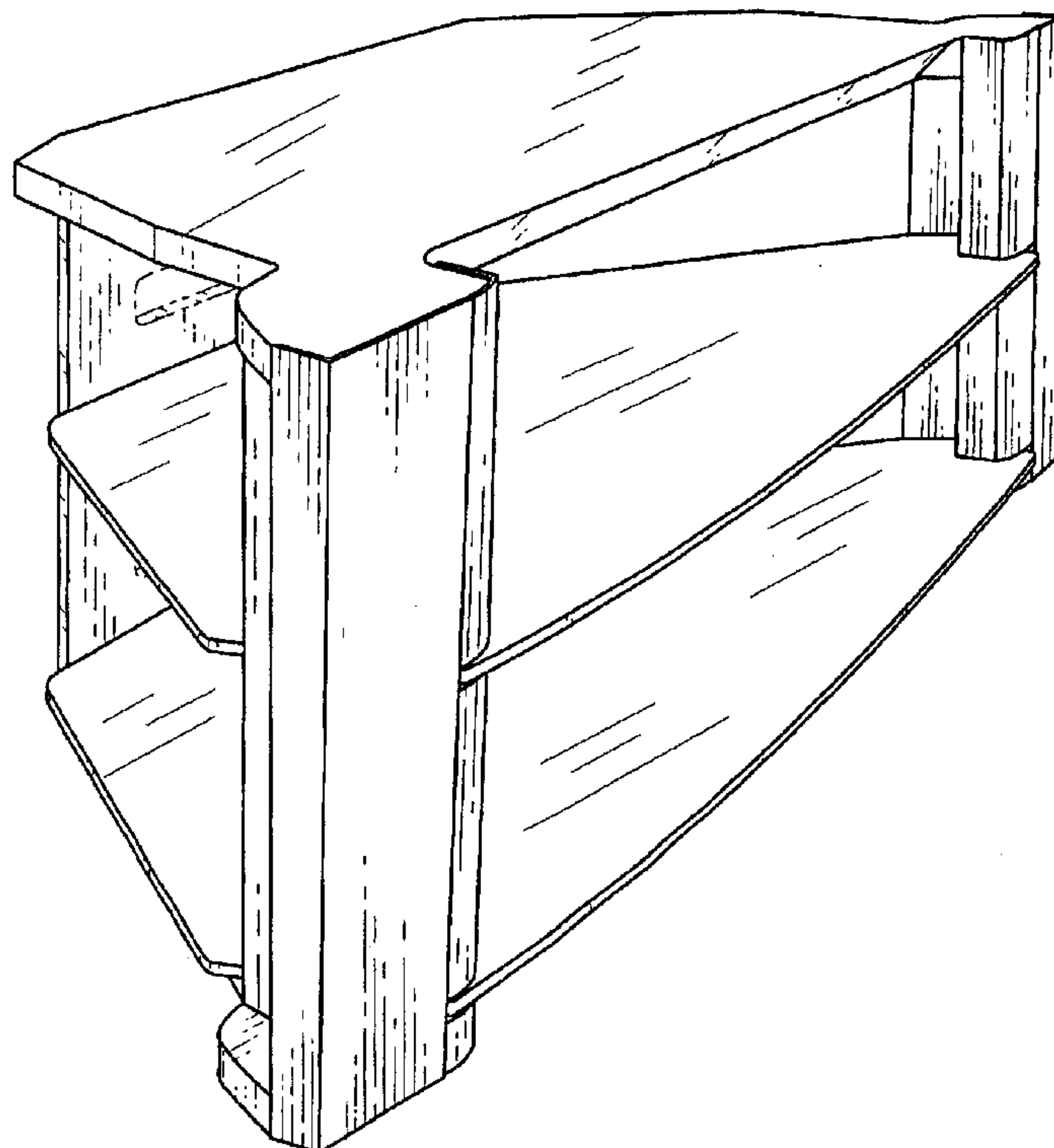
The ornamental design for a television stand, as shown and described.

DESCRIPTION

FIG. 1 is a front perspective view of a television stand;
FIG. 2 is a front elevational view thereof;
FIG. 3 is a rear elevational view thereof;
FIG. 4 is a left elevational view thereof;
FIG. 5 is a right elevational view thereof;
FIG. 6 is a top plan view thereof; and,
FIG. 7 is a bottom view thereof.
The broken lines are shown for illustrative purposes only
and form no part of the claimed invention.

(56) **References Cited**
U.S. PATENT DOCUMENTS
3,830,170 A 8/1974 Faulstich
5,125,725 A 6/1992 Blunt
5,207,405 A 5/1993 Cobb
5,216,211 A 6/1993 Renk, Jr.
5,383,721 A 1/1995 Thomas
5,749,304 A 5/1998 Turner
6,095,476 A 8/2000 Mathis
6,095,623 A 8/2000 Goto et al.

1 Claim, 6 Drawing Sheets



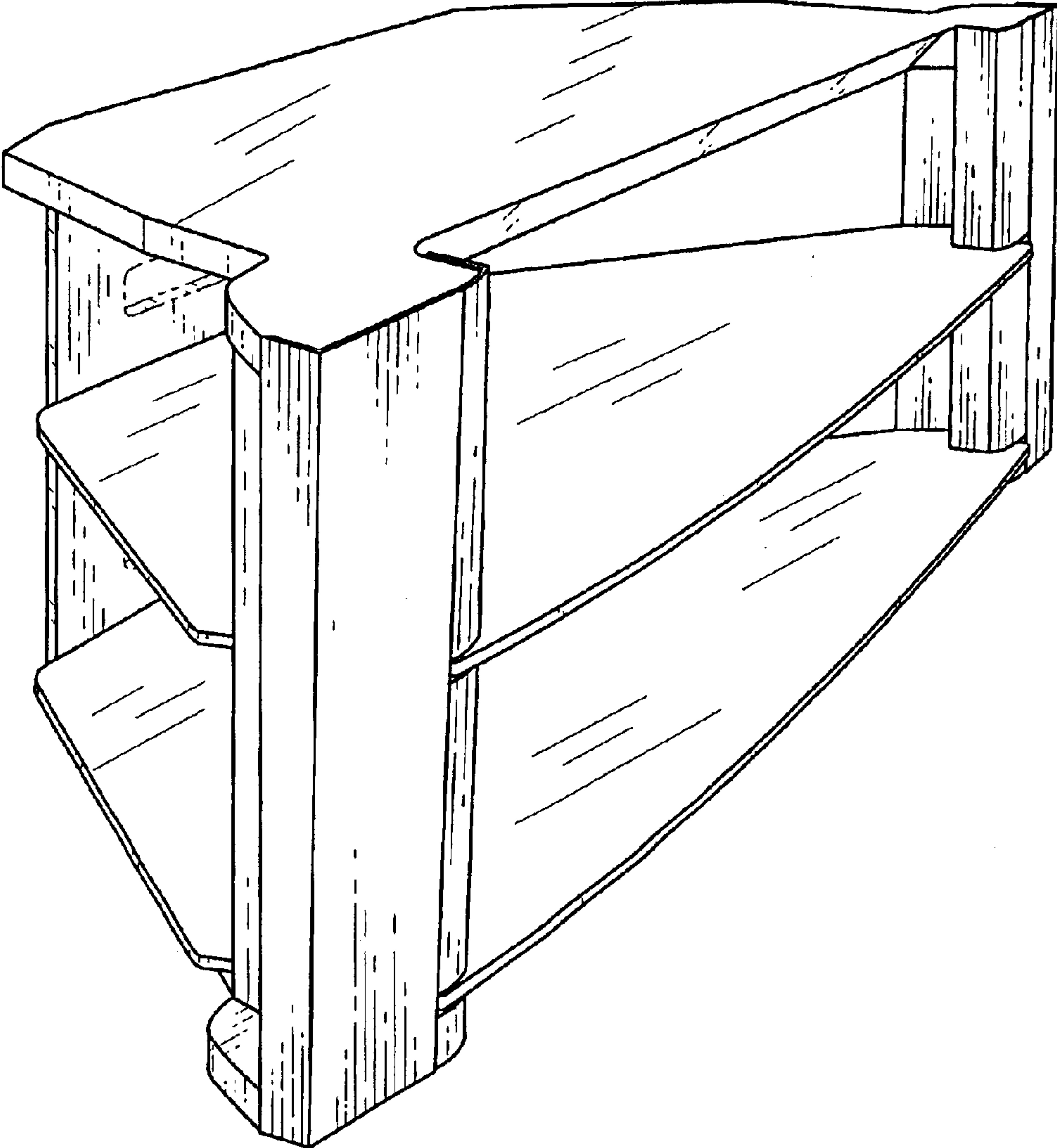


FIG. 1

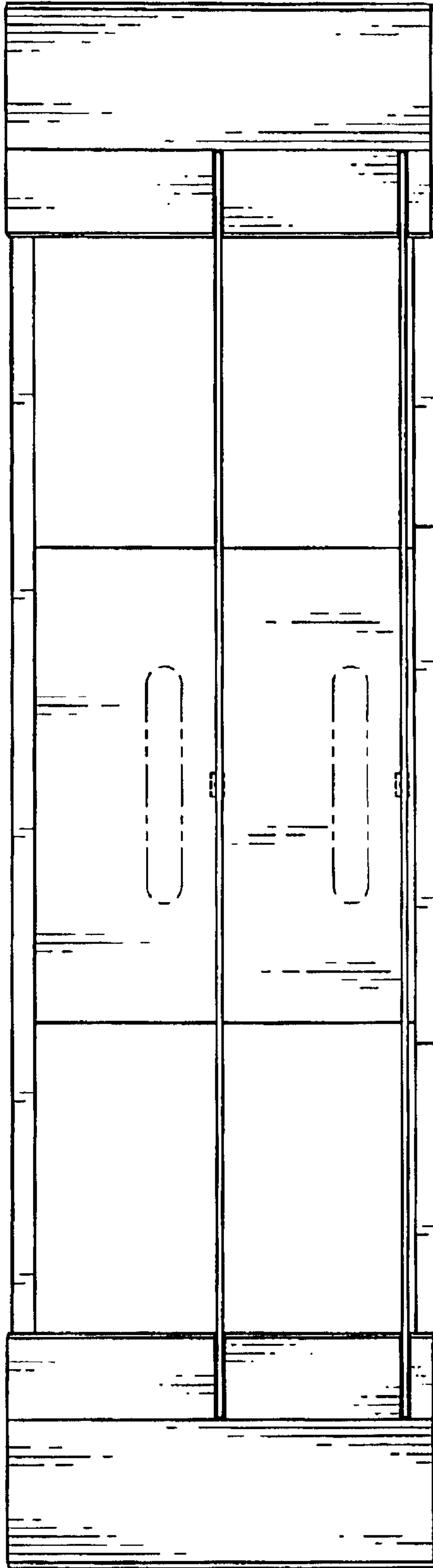


FIG. 2

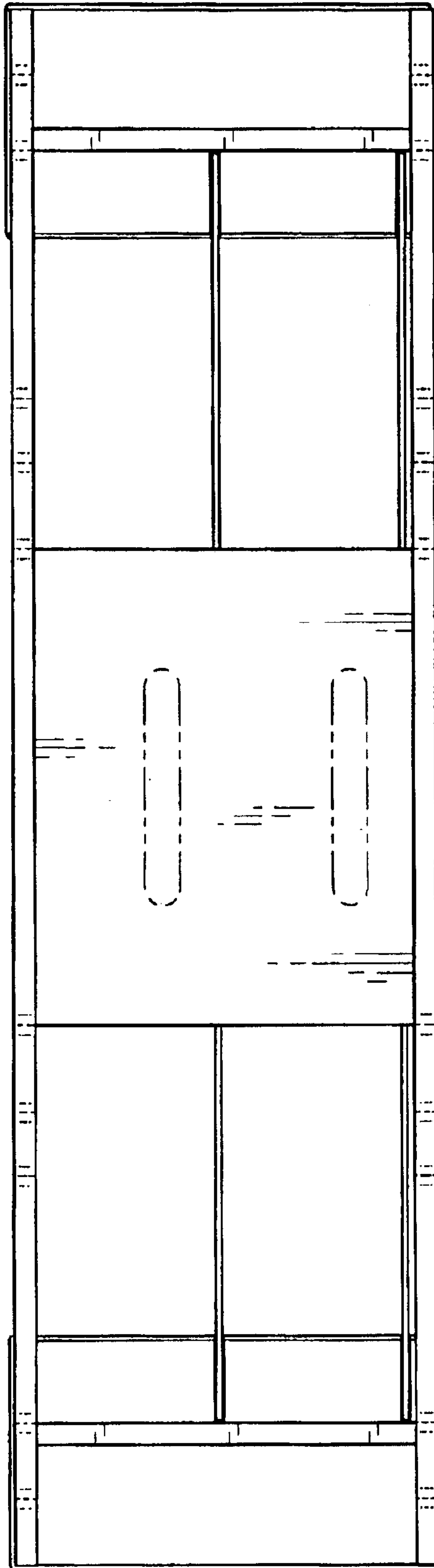


FIG. 3

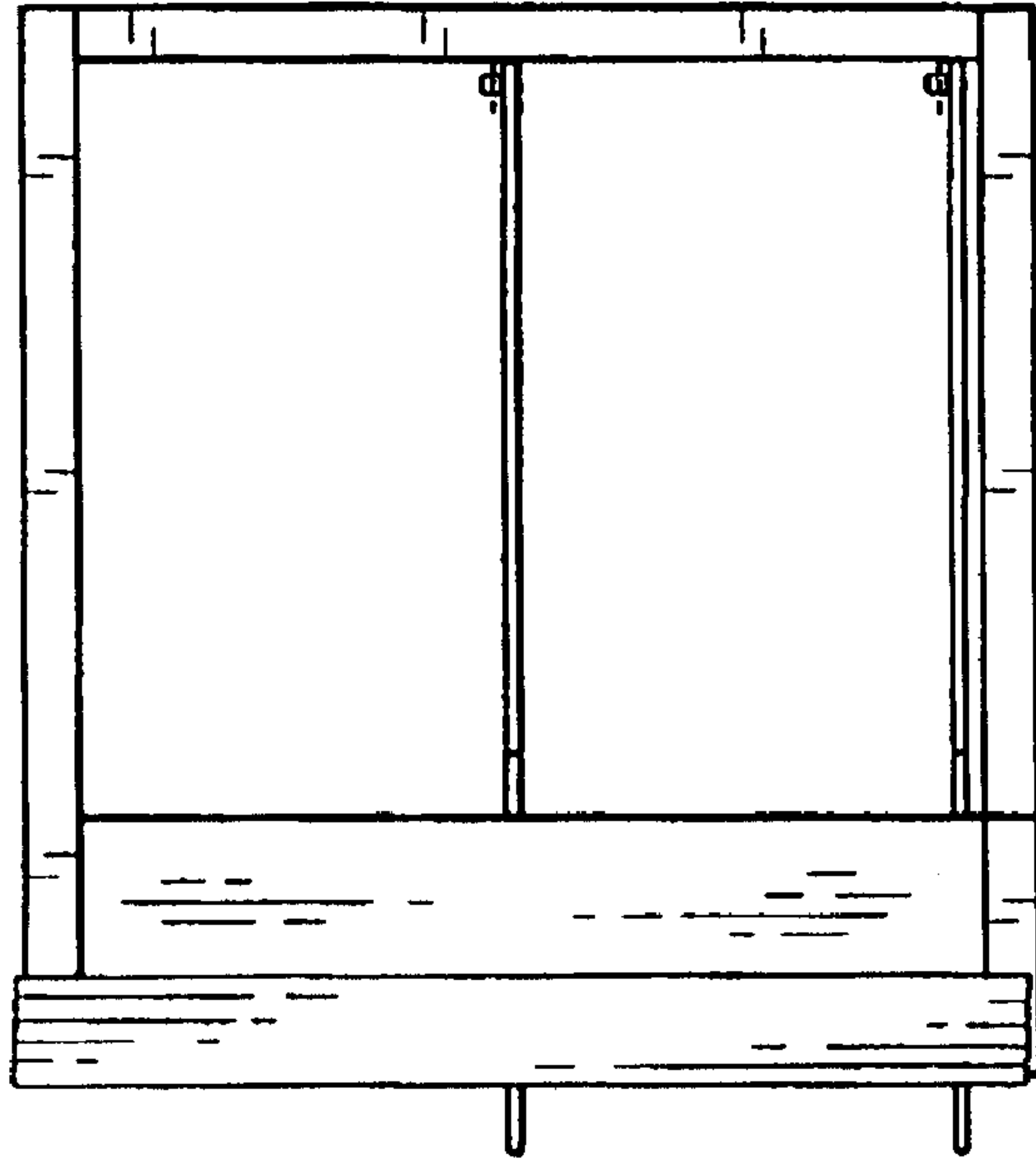


FIG. 5

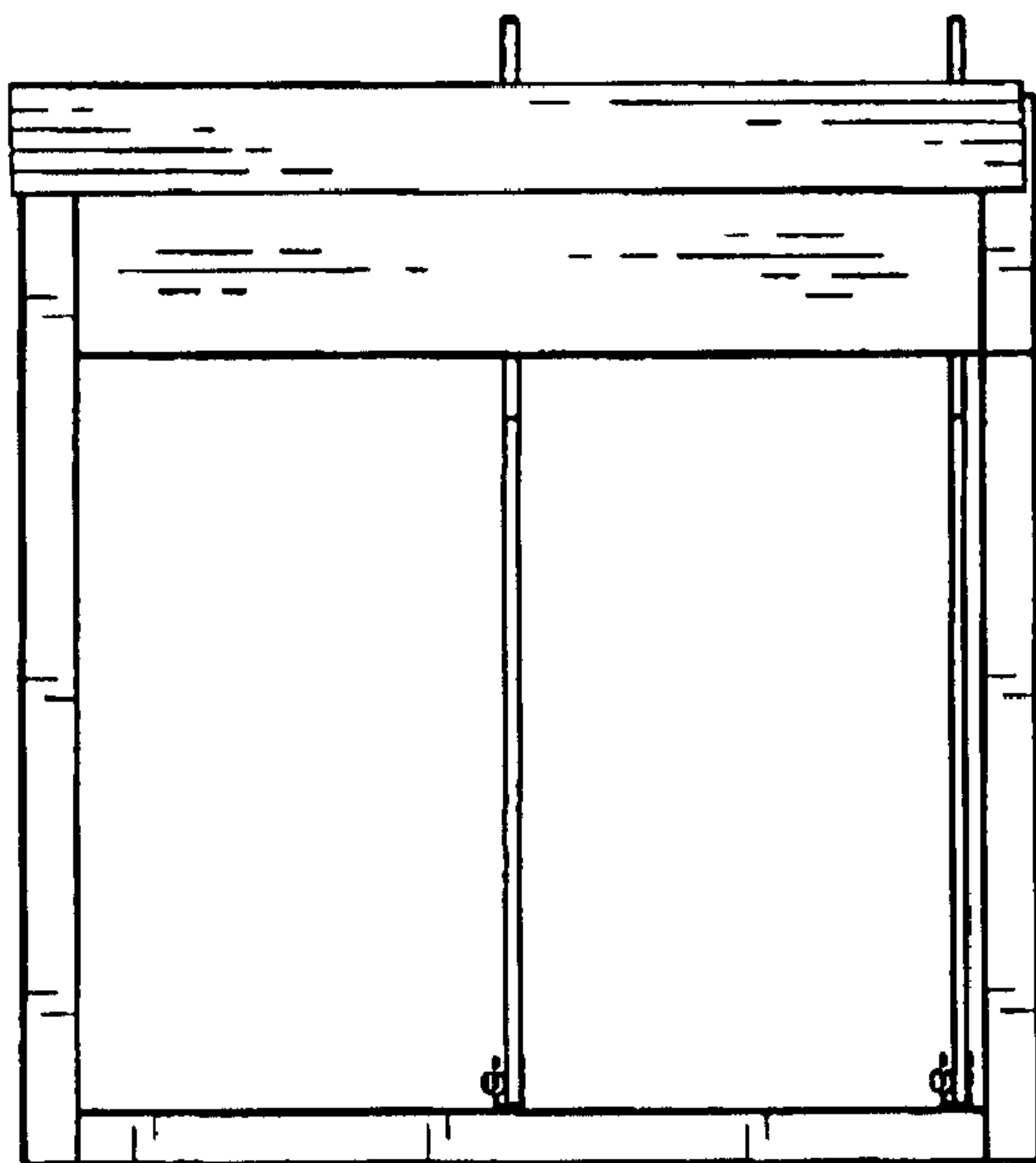


FIG. 4

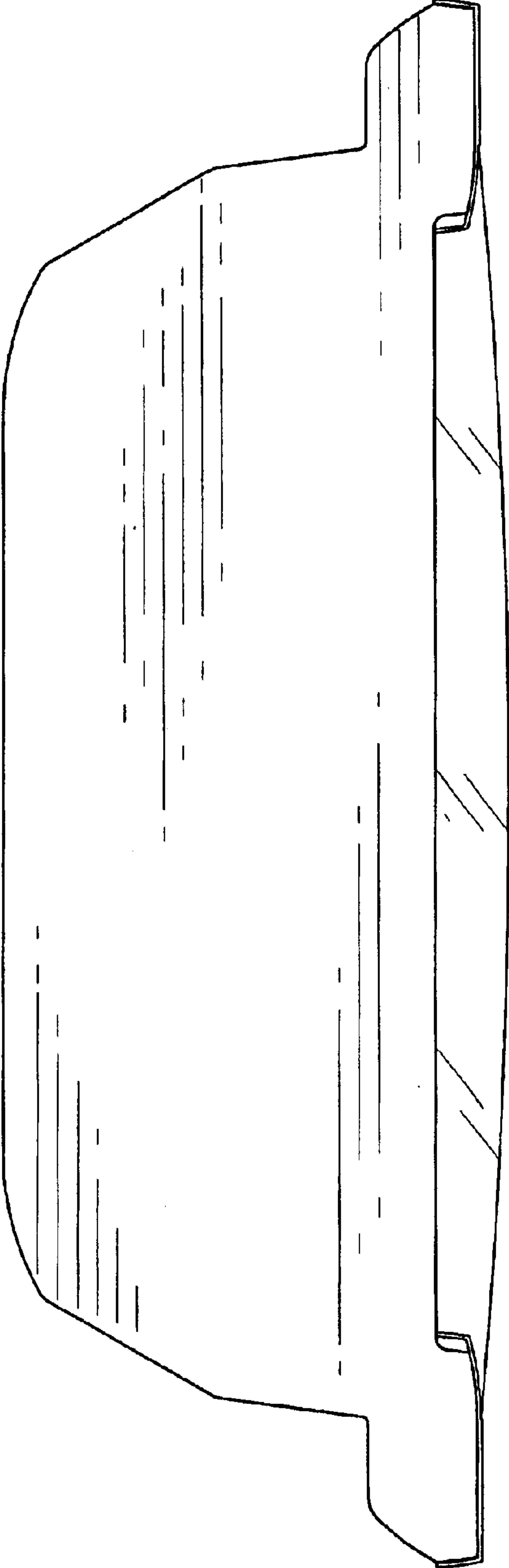


FIG. 6

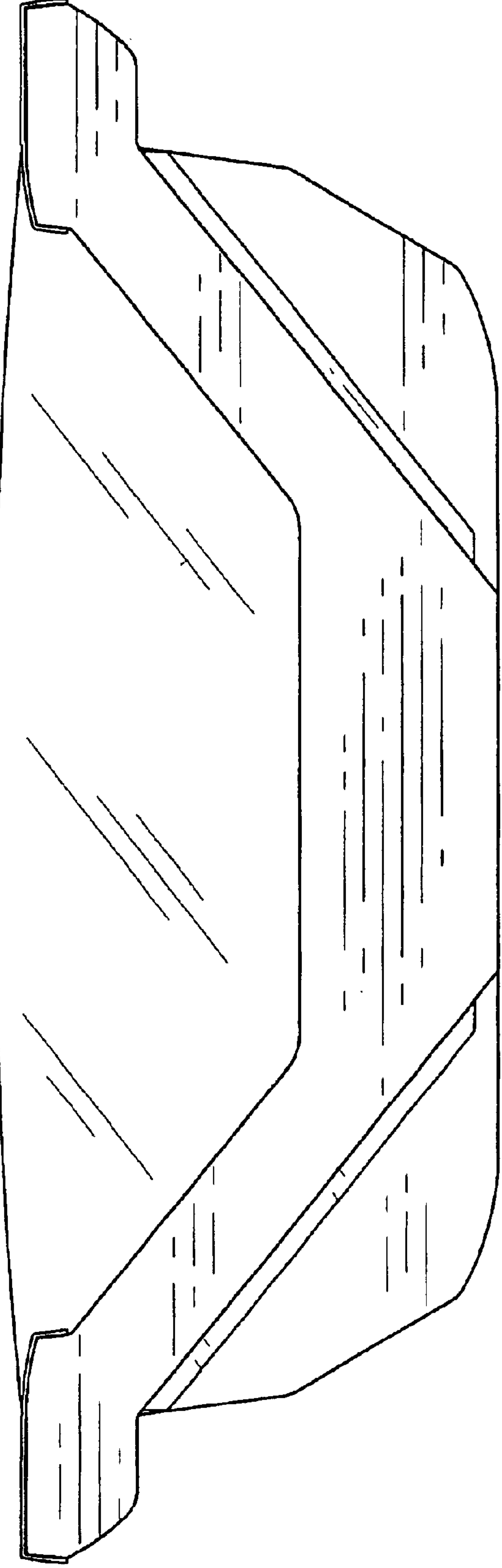


FIG. 7