

US00D496541S1

(12) **United States Design Patent**
Wang

(10) **Patent No.:** **US D496,541 S**

(45) **Date of Patent:** **** Sep. 28, 2004**

(54) **LONG-HANDLED SPRAY GUN DISPLAY RACKET (I)**

D425,332 S * 5/2000 Buchanan D6/476
D440,256 S * 4/2001 Wang D20/10

(76) Inventor: **King-Yuan Wang**, No. 1, Lane 288,
Sec. 1, Lu Kang Chen, Changhua Hsien
(TW)

* cited by examiner

Primary Examiner—Dominic Simone
(74) *Attorney, Agent, or Firm*—Troxell Law Office PLLC

(**) Term: **14 Years**

(57) **CLAIM**

(21) Appl. No.: **29/133,906**

The ornamental design for “long-handled spray gun display racket (I),” as shown and described.

(22) Filed: **Dec. 6, 2000**

DESCRIPTION

(51) **LOC (7) Cl.** **06-04**

(52) **U.S. Cl.** **D6/466**

(58) **Field of Search** D6/396, 449, 466,
D6/467; 211/27, 60.1, 70.4, 70.6

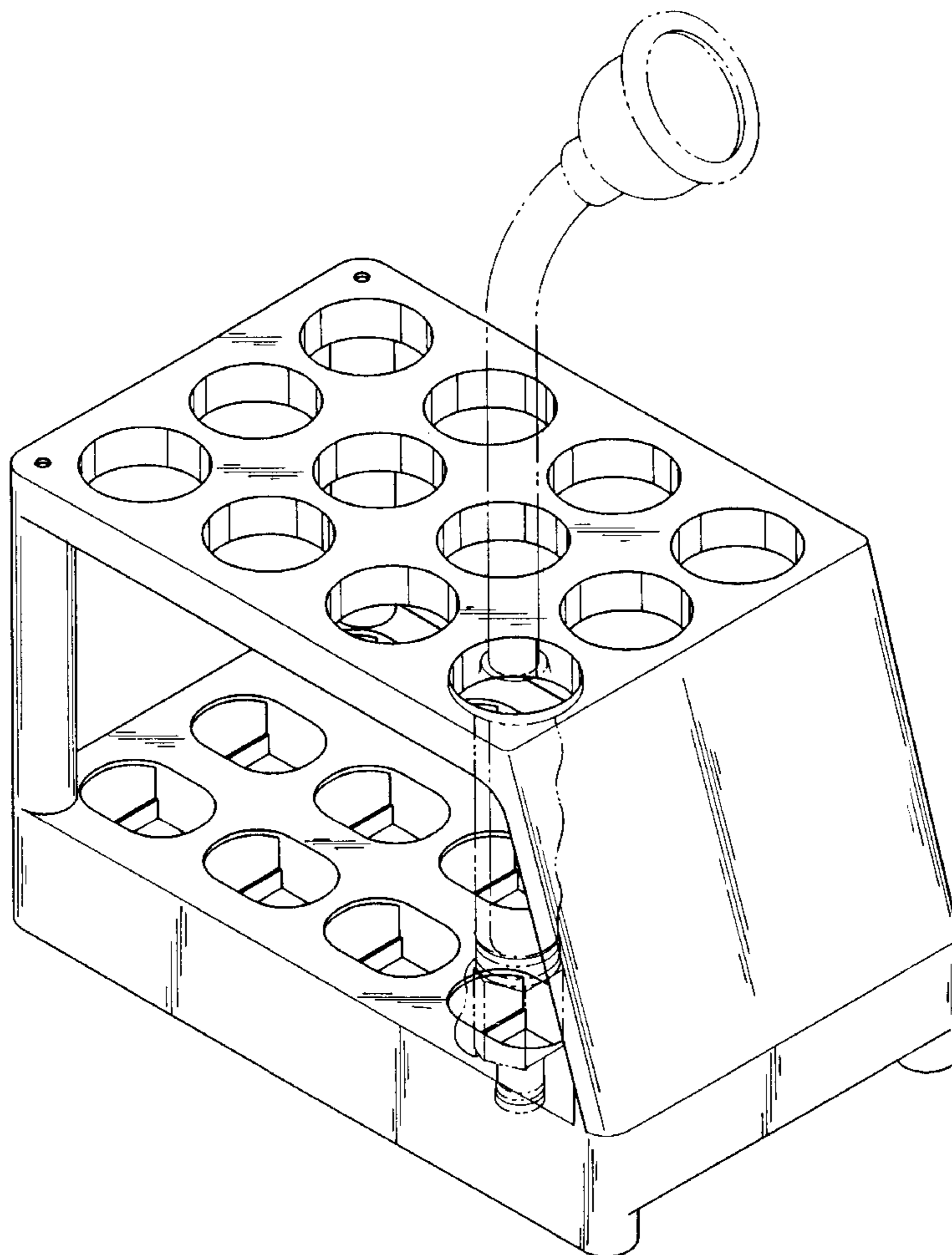
FIG. 1 is a perspective view of long-handled spray gun display racket (I) showing my new design;
FIG. 2 is a front view thereof;
FIG. 3 is a rear view thereof;
FIG. 4 is a left and right side view thereof,
FIG. 5 is top view thereof; and
FIG. 6 is a bottom view thereof; and,
FIG. 7 is a perspective view of a long-handled spray gun displayed on the racket.

(56) **References Cited**

U.S. PATENT DOCUMENTS

D137,677 S * 4/1944 Fibus D6/476
D156,367 S * 12/1949 Poynter D6/476
5,617,960 A * 4/1997 Bishop 211/60.1
5,823,363 A * 10/1998 Cassel 211/60.1

1 Claim, 5 Drawing Sheets



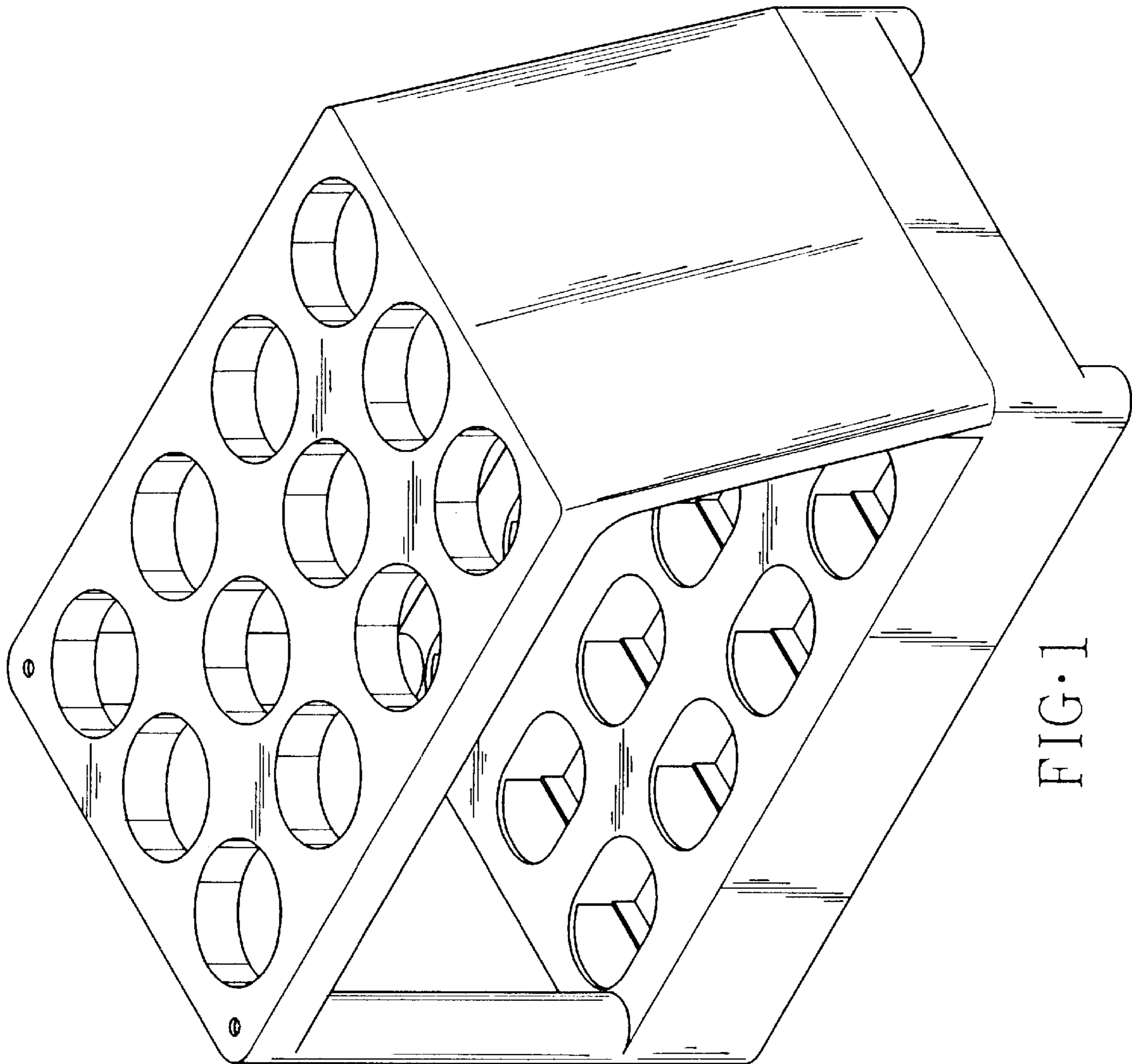


FIG. 1

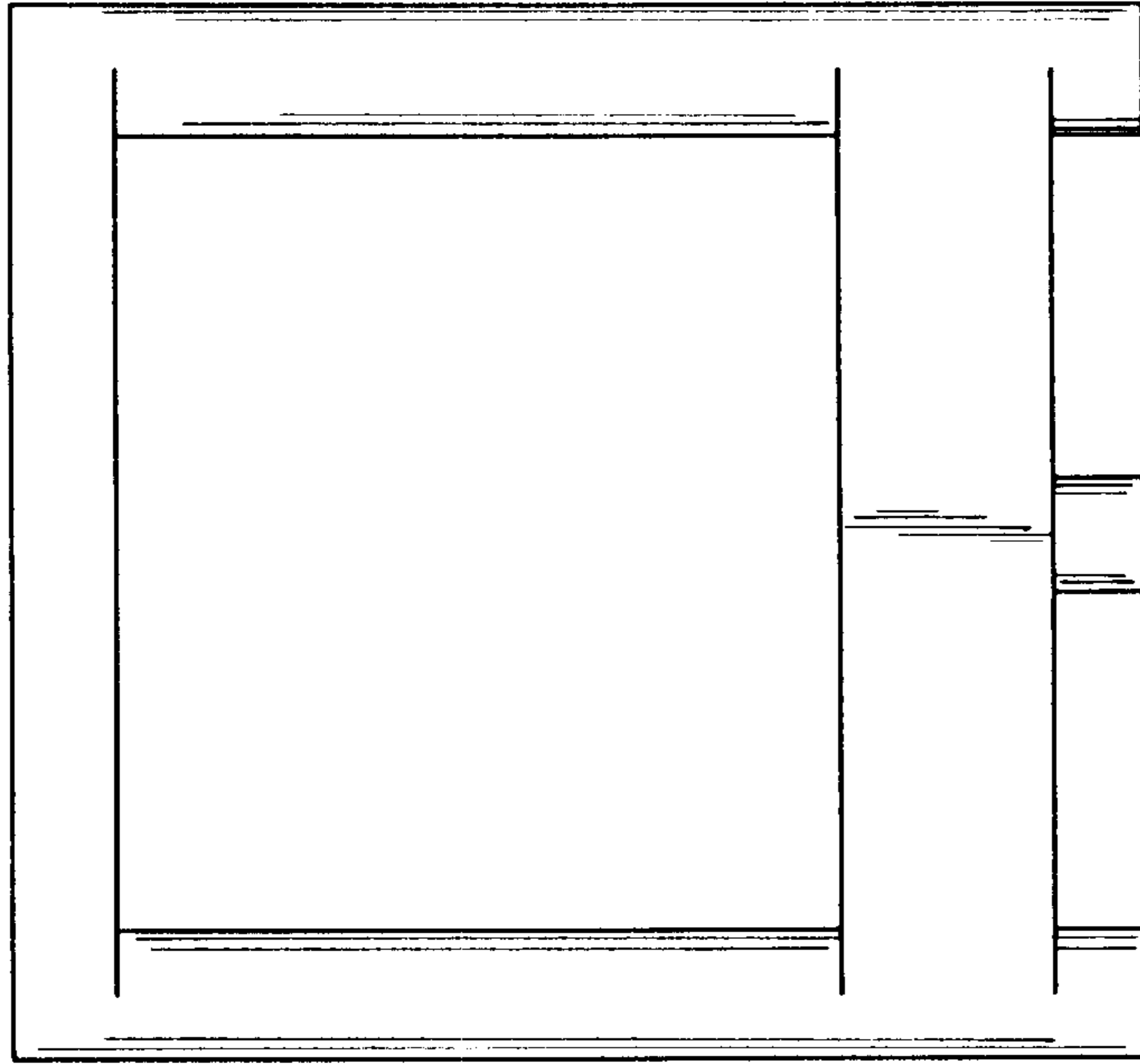


FIG. 3

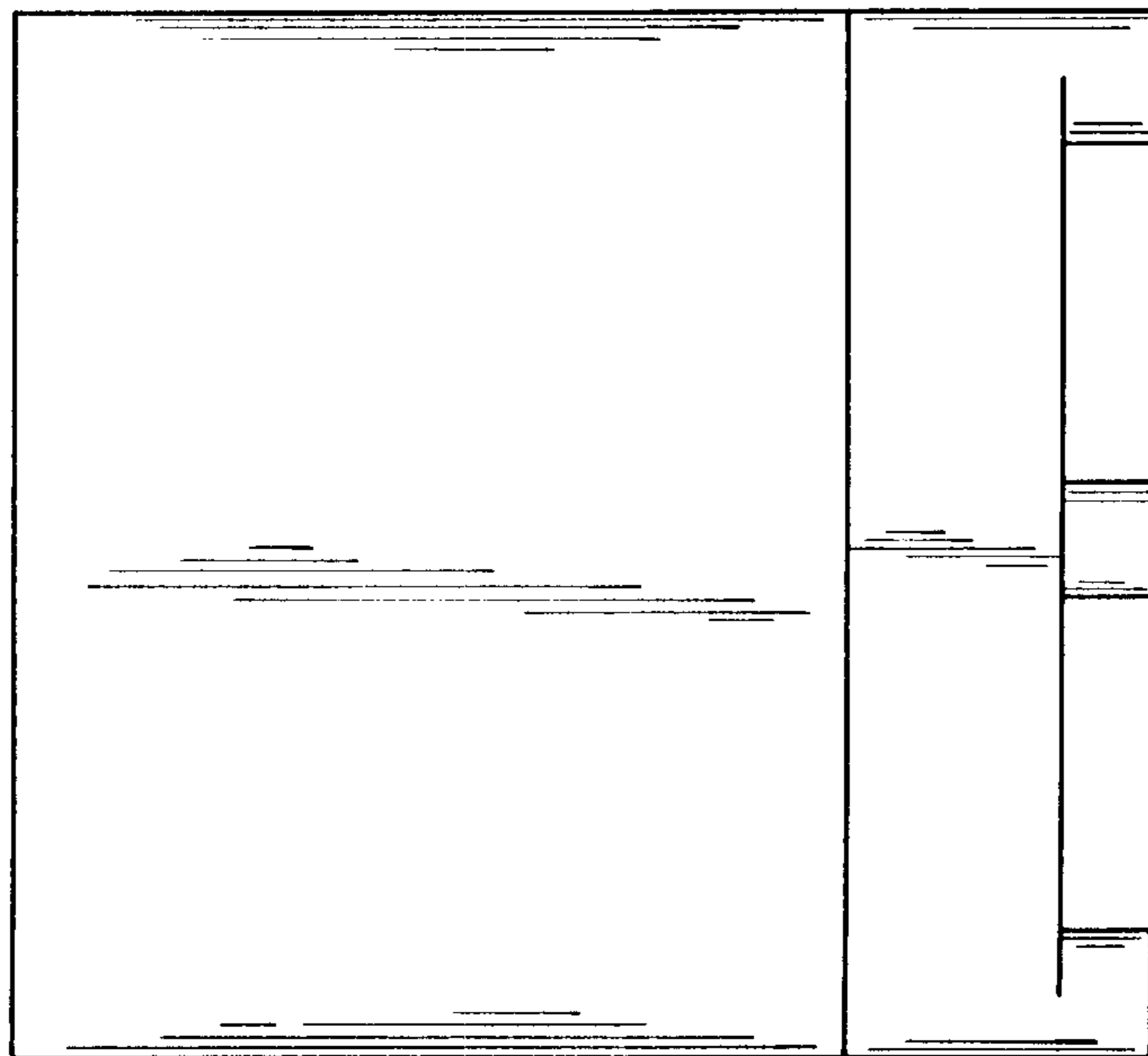


FIG. 2

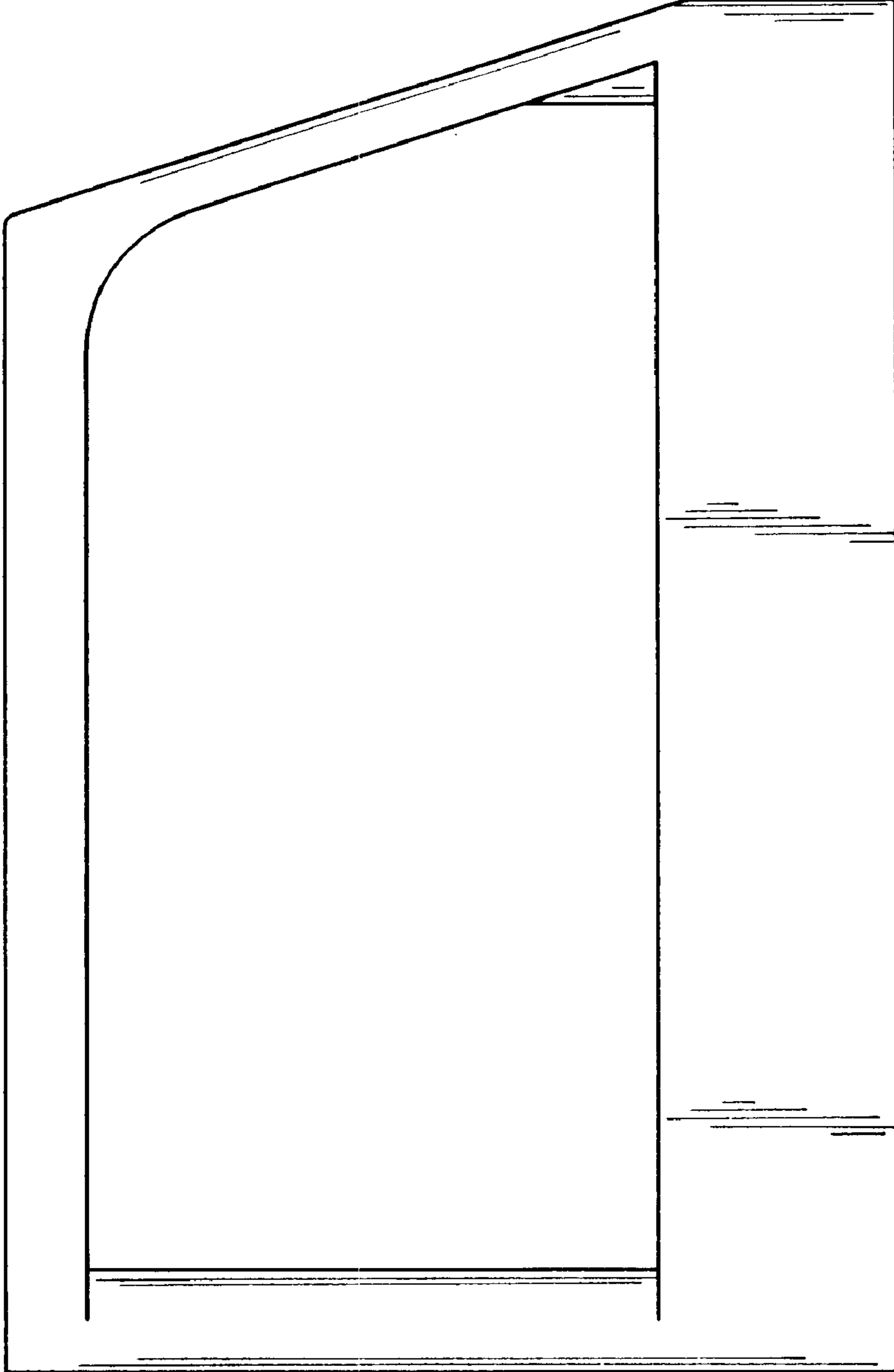


FIG. 4

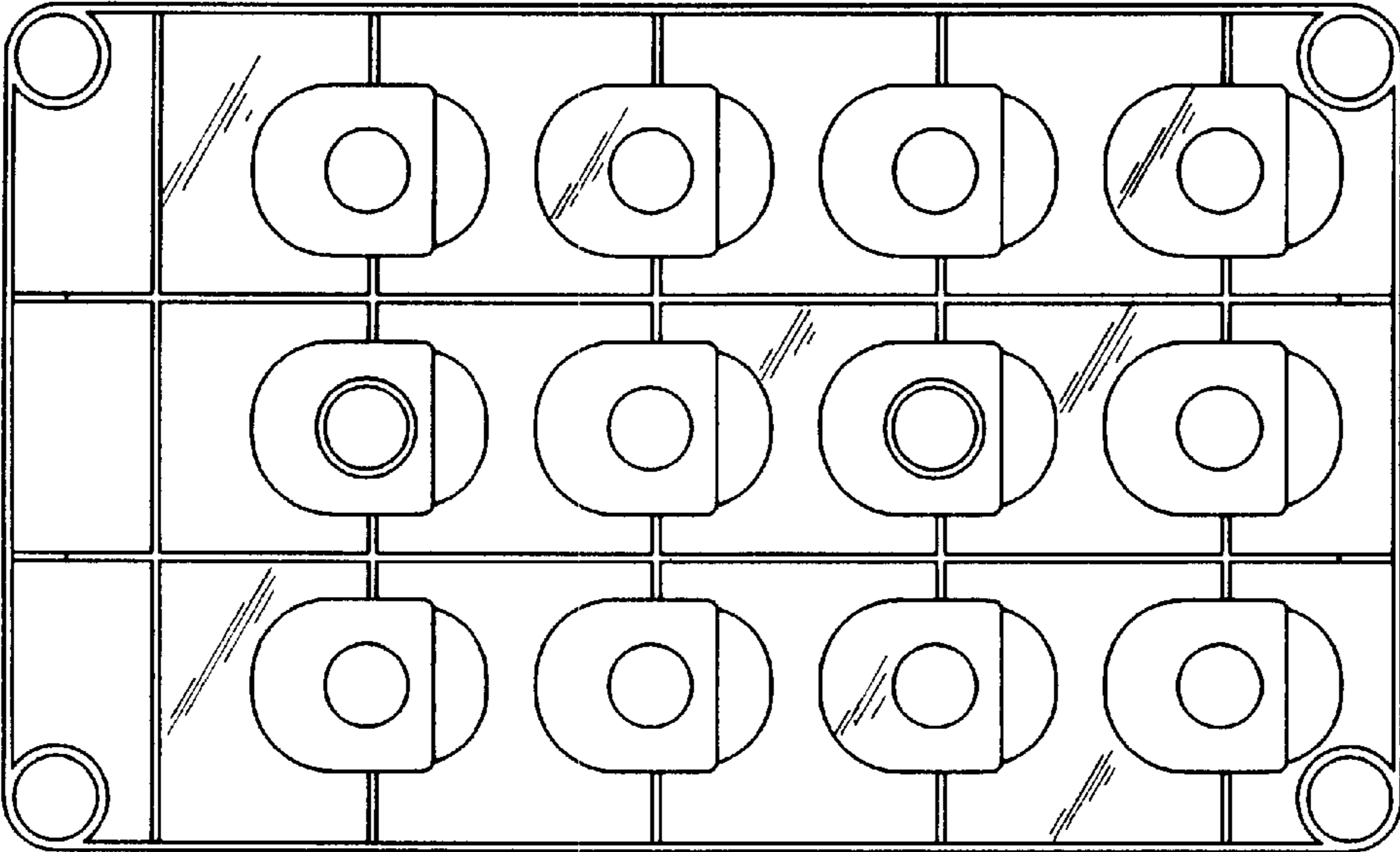


FIG. 6

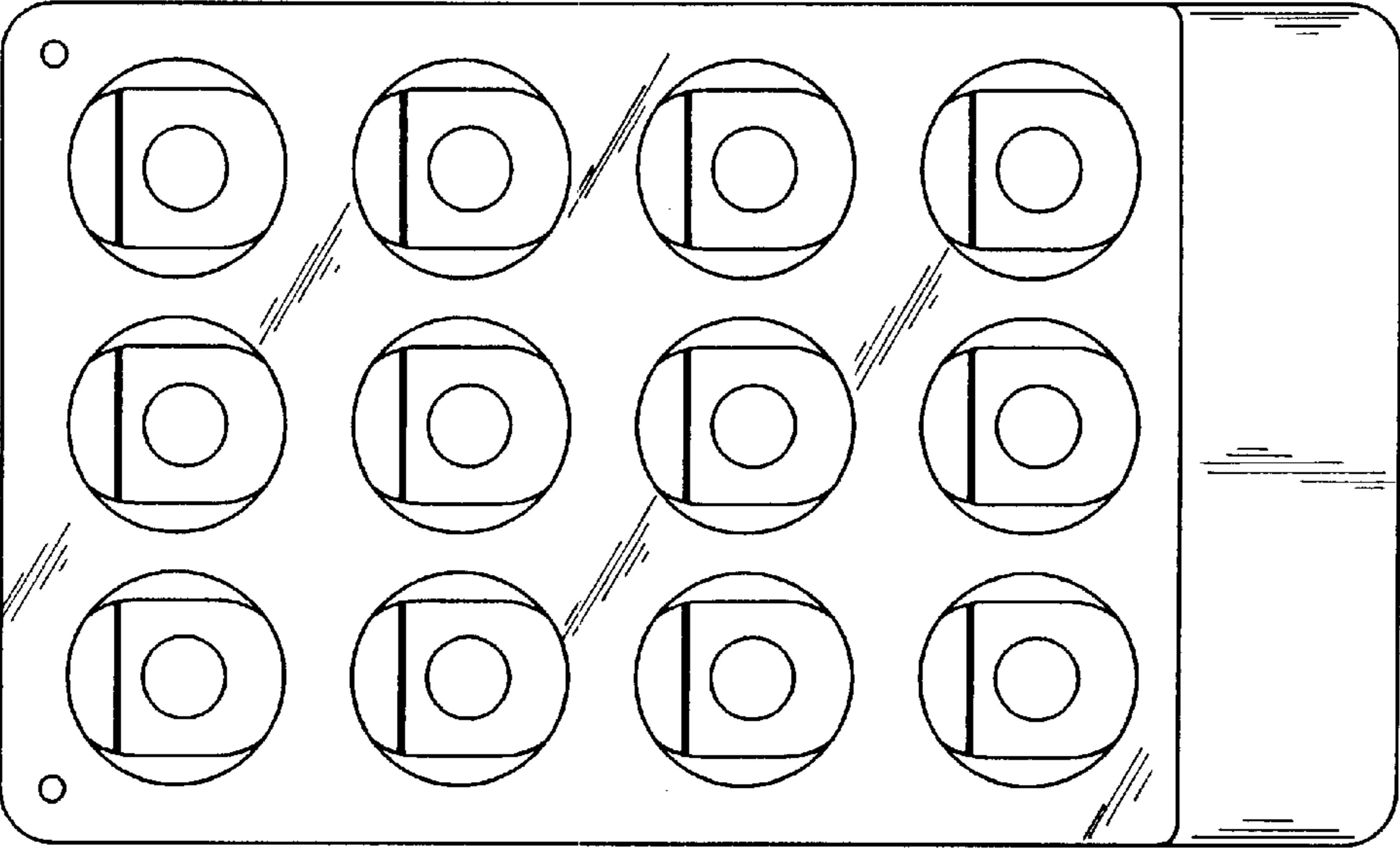


FIG. 5

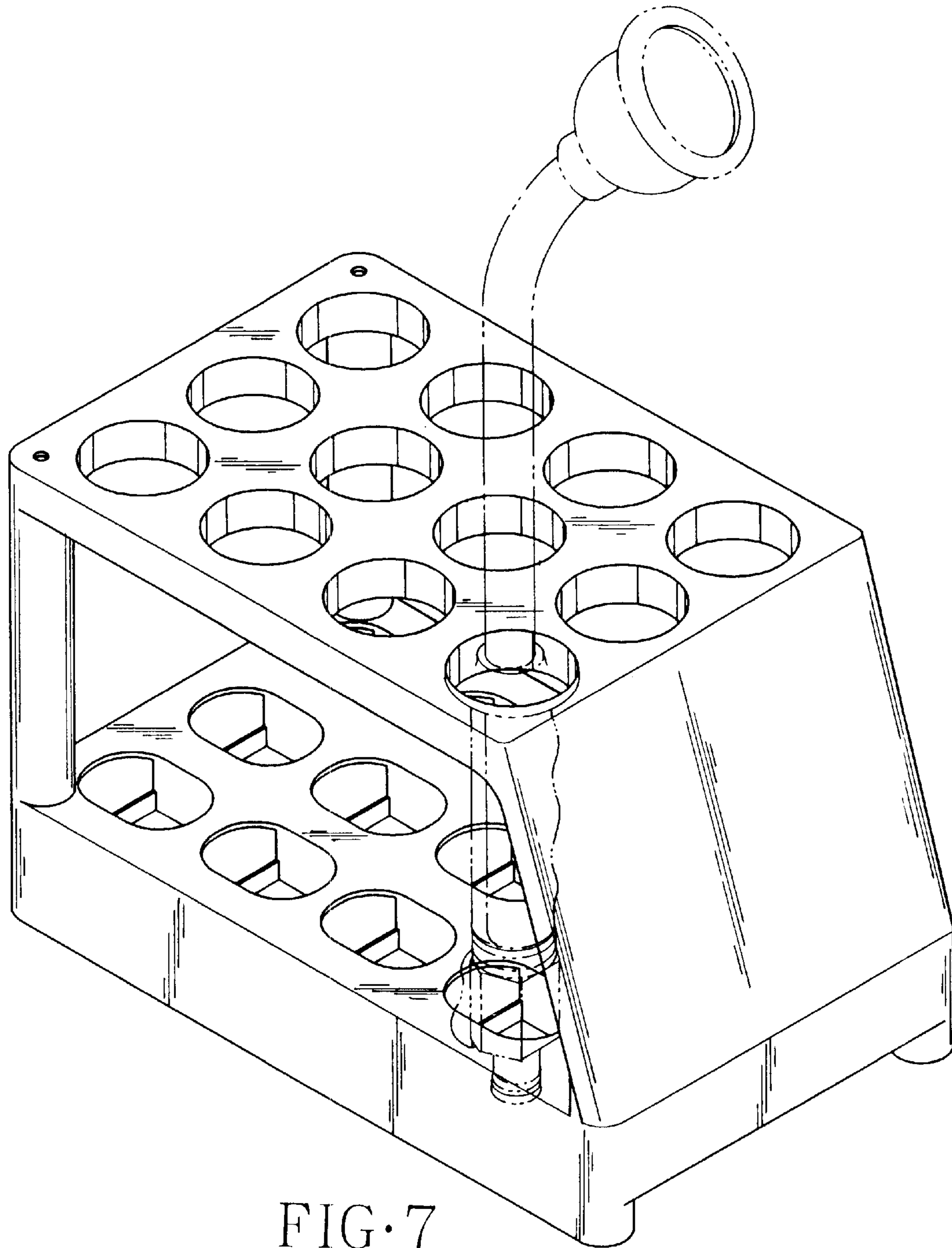


FIG. 7