

US00D496537S1

(12) **United States Design Patent** (10) **Patent No.:** **US D496,537 S**
Monsalve et al. (45) **Date of Patent:** **** Sep. 28, 2004**

(54) **STUDENT DESK**

(75) Inventors: **Arsenio Garcia Monsalve**, New York, NY (US); **Marius Quintana**, New York, NY (US); **Sally B. Rumble**, New York, NY (US)

(73) Assignee: **Lipper International Inc.**, Wallington, CT (US)

(**) Term: **14 Years**

(21) Appl. No.: **29/185,994**

(22) Filed: **Jul. 8, 2003**

(51) **LOC (7) Cl.** **06-04**

(52) **U.S. Cl.** **D6/426; D6/427**

(58) **Field of Search** **D6/422-428, 477, D6/484, 487; 108/50.01, 50.02; 312/208.1, 194-196**

(56) **References Cited**

U.S. PATENT DOCUMENTS

D341,010 S	*	11/1993	Johnson	D34/17
D407,234 S	*	3/1999	Moen et al.	D6/426
D425,727 S	*	5/2000	Ishikawa	D6/425
D460,847 S	*	7/2002	Morrow	D34/17
D485,093 S	*	1/2004	de Blois	D6/485

OTHER PUBLICATIONS

ATD American furn., May 13, 1993, p. F-29, computer station at bottom right.*

* cited by examiner

Primary Examiner—Janice E. Seeger

(74) *Attorney, Agent, or Firm*—Muserlian, Lucas and Mercanti

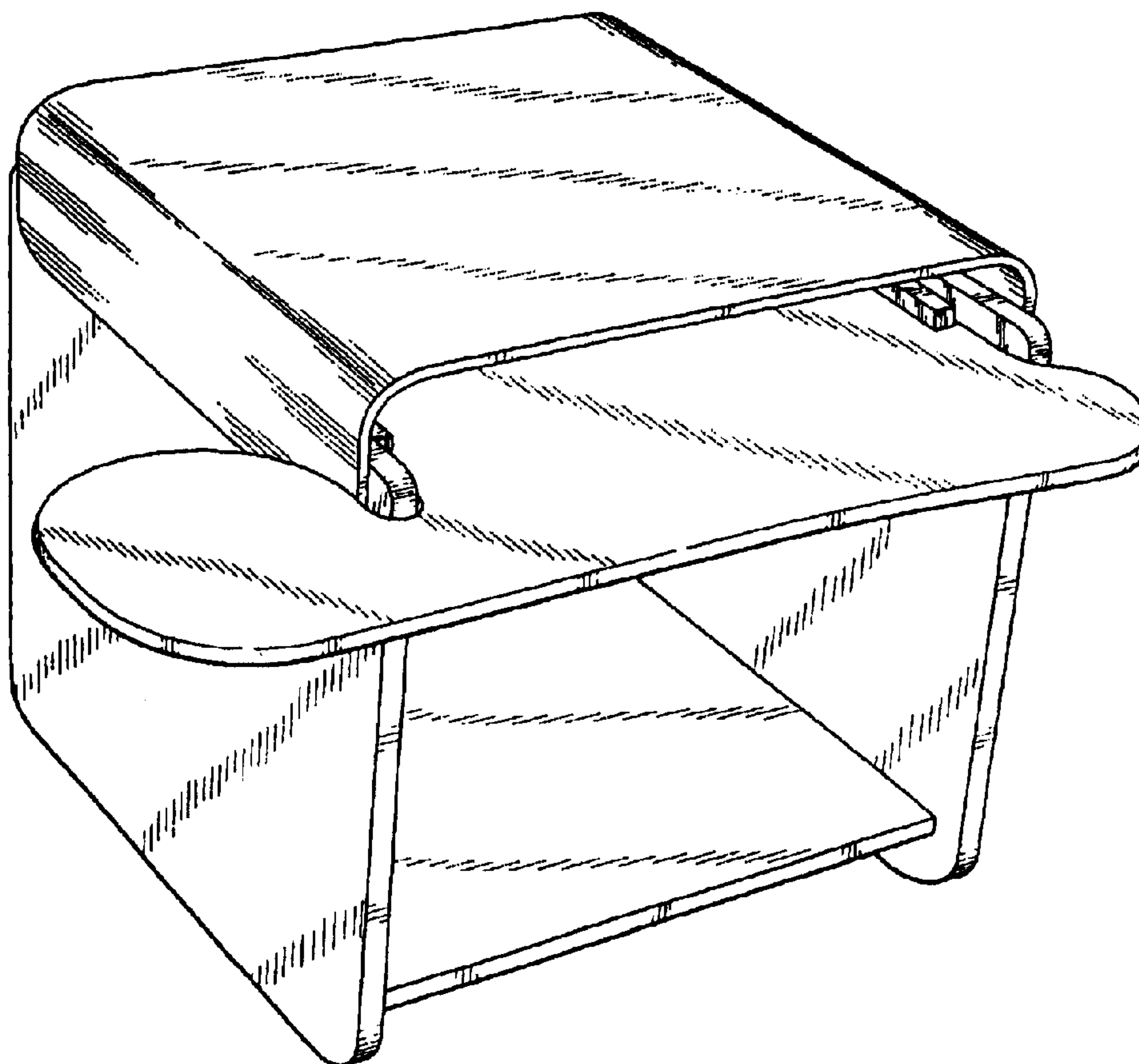
(57) **CLAIM**

The ornamental design for a student desk, substantially as shown and described.

DESCRIPTION

FIG. 1 is a perspective view of our student desk design; FIG. 2 is a left side view of our student desk design; FIG. 3 is a right side view of our student desk design; FIG. 4 is a front view of our student desk design; FIG. 5 is a back view of our student desk design; FIG. 6 is a top view of our student desk design; FIG. 7 is a bottom view of our student desk design; and, FIG. 8 is a perspective view of our student desk design with the tray reversed to place the mouse tray on the righthand side.

1 Claim, 6 Drawing Sheets



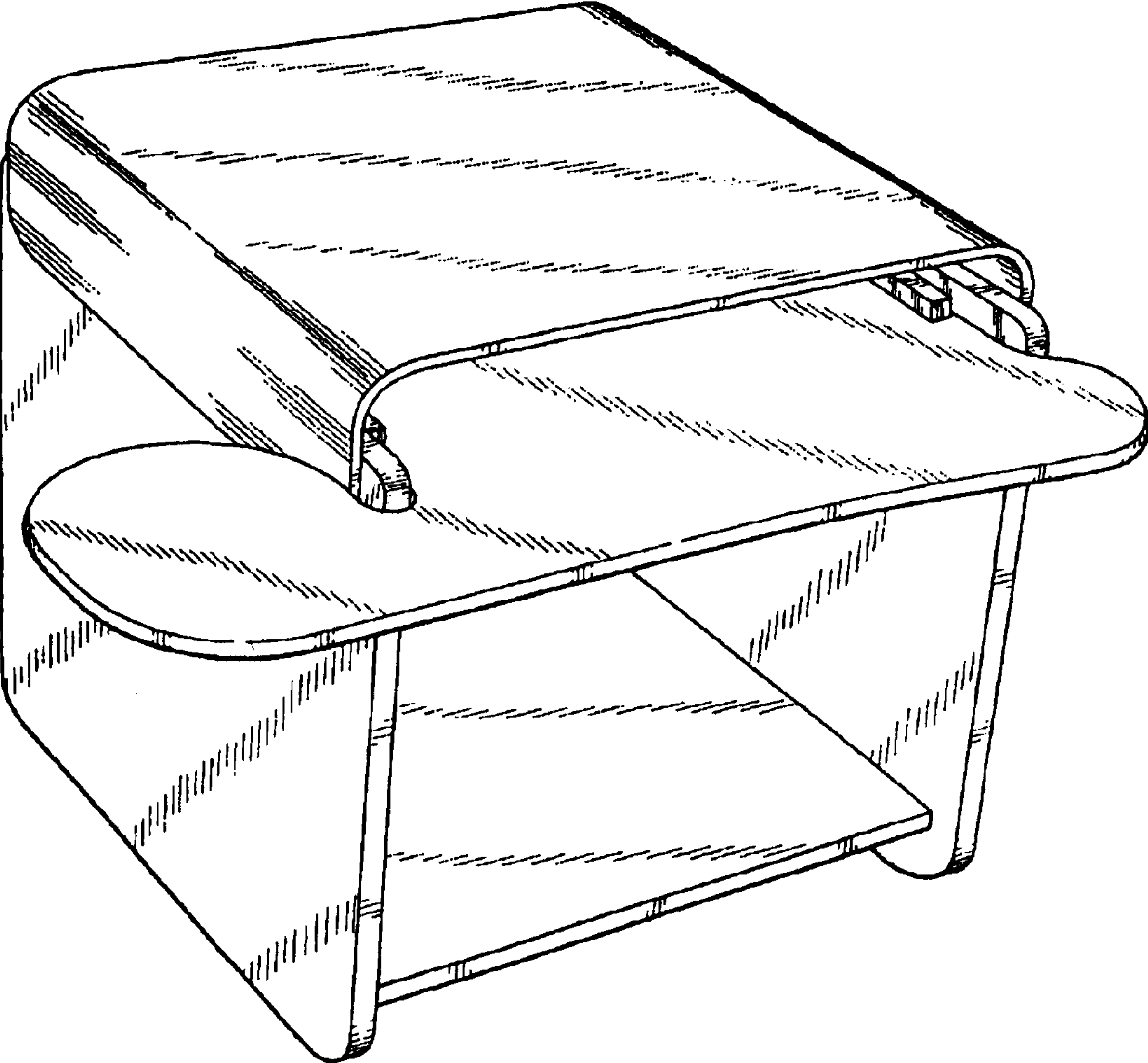


FIG. 1

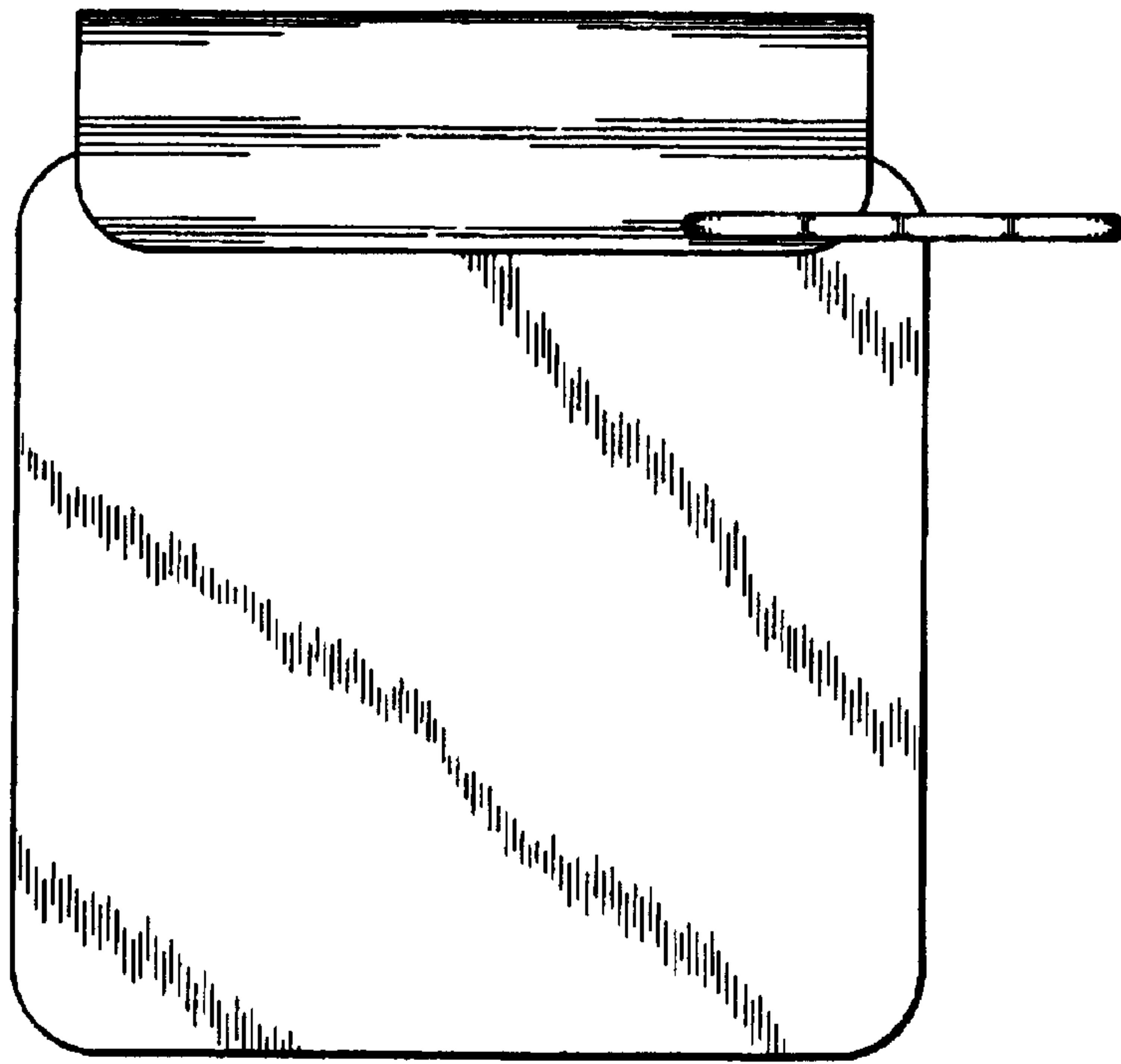


FIG. 2

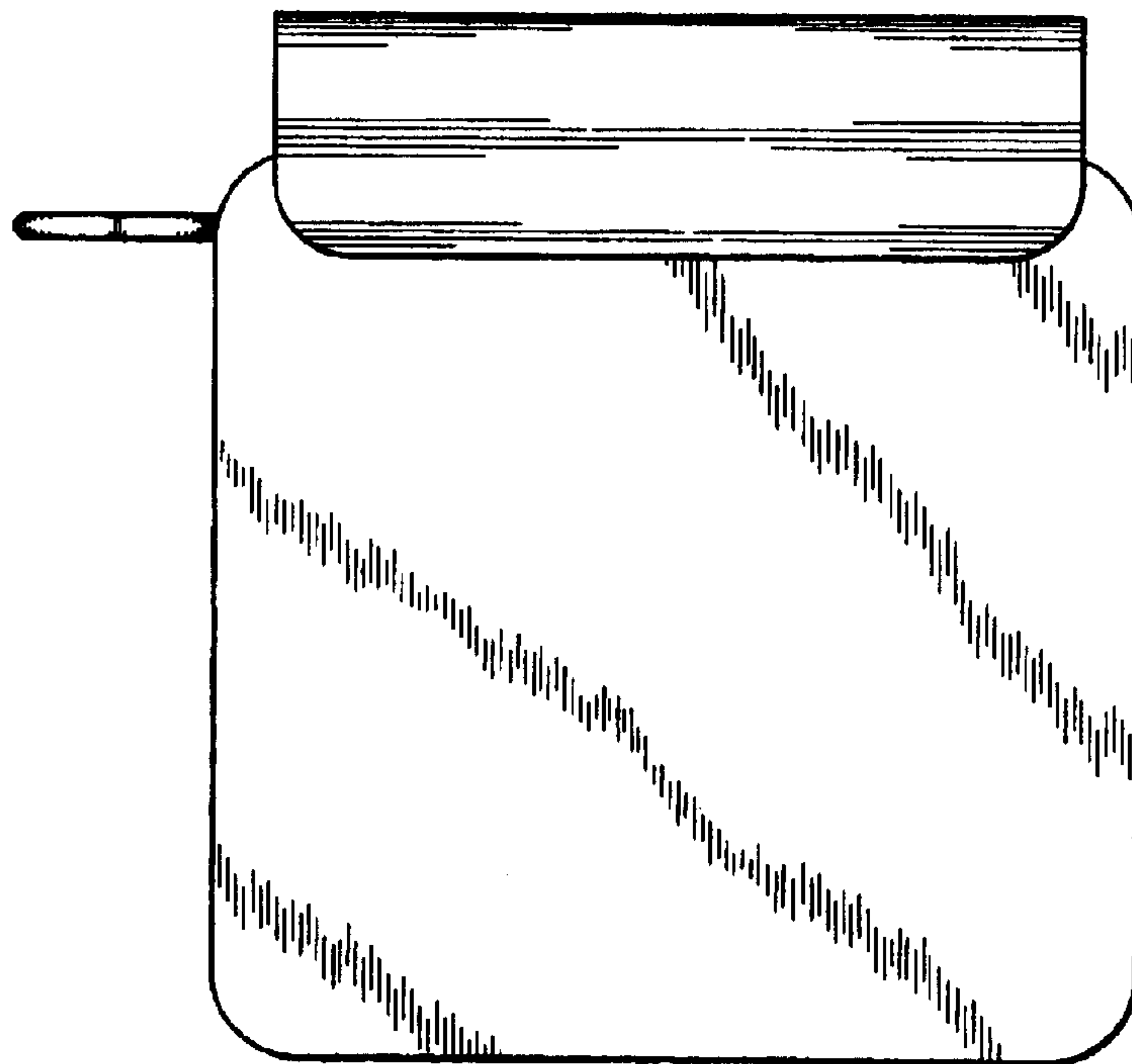


FIG. 3

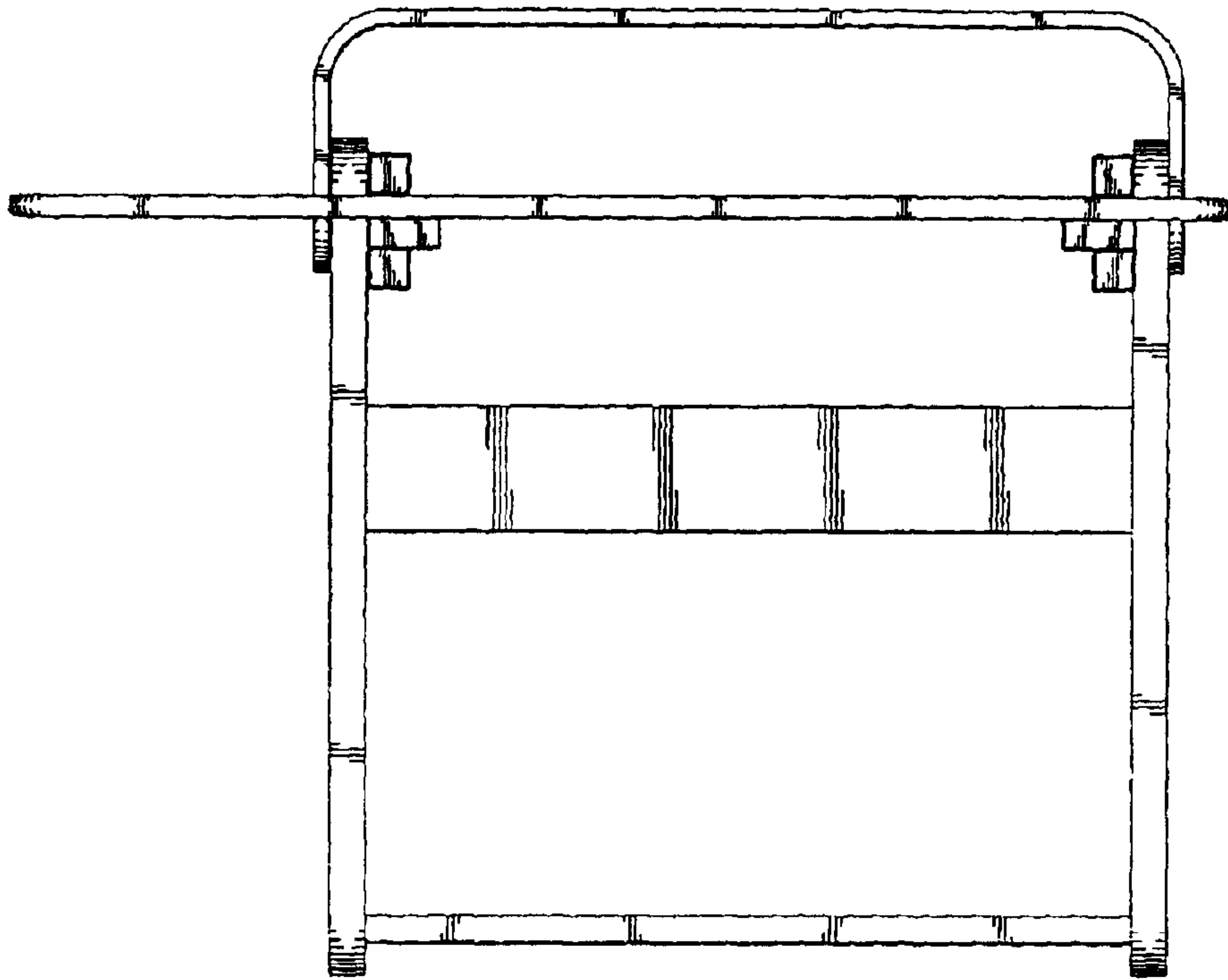


FIG. 4

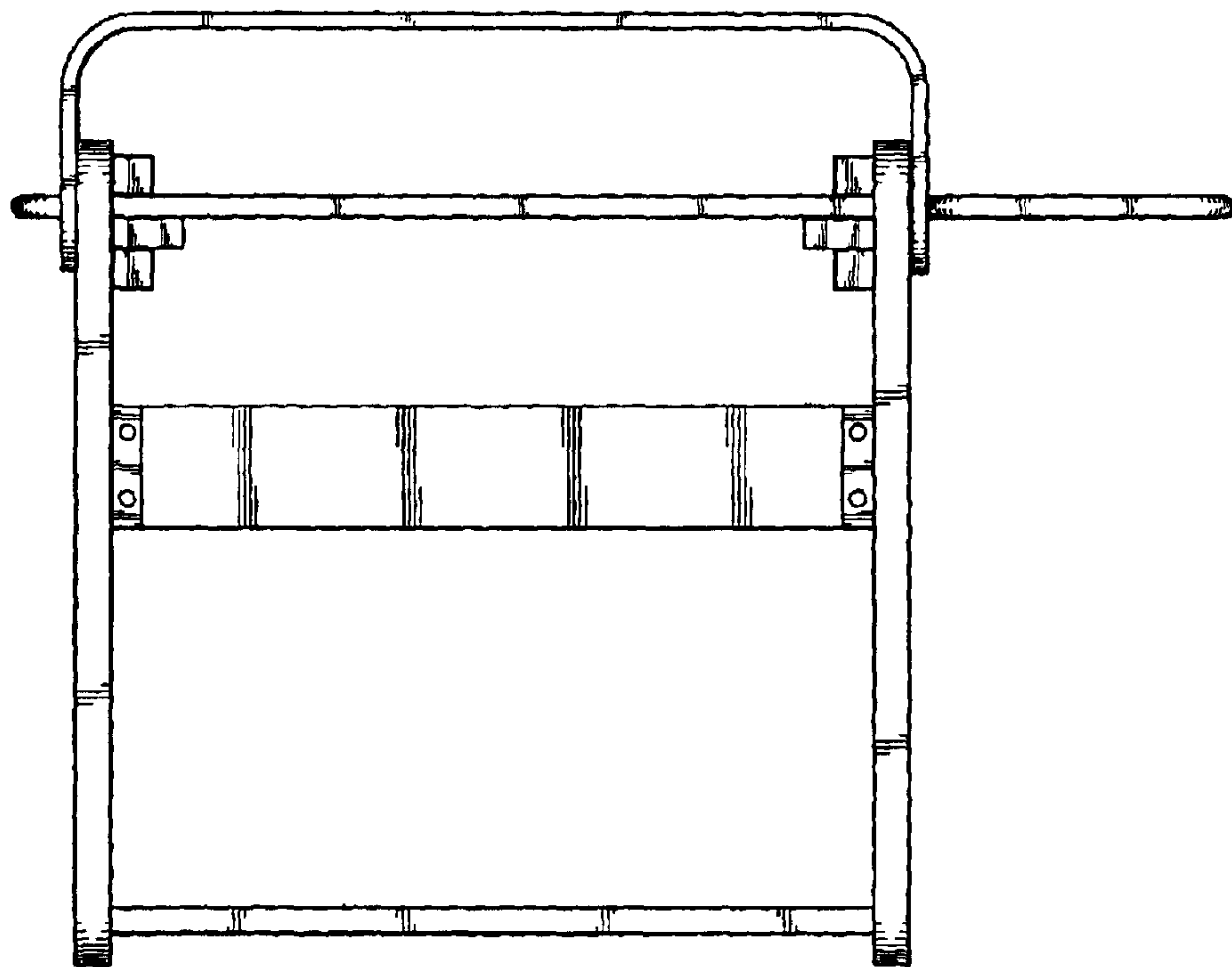


FIG. 5

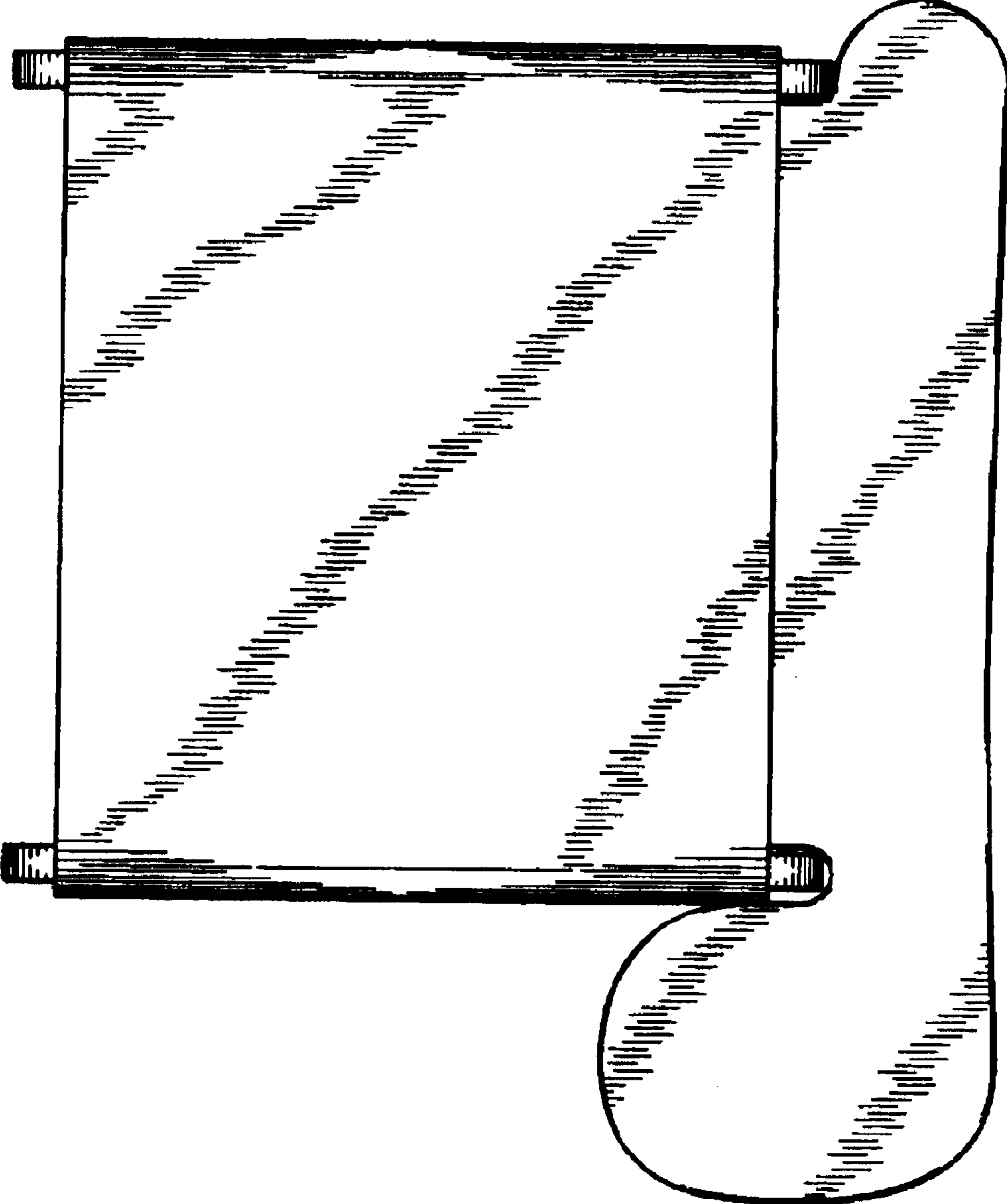


FIG. 6

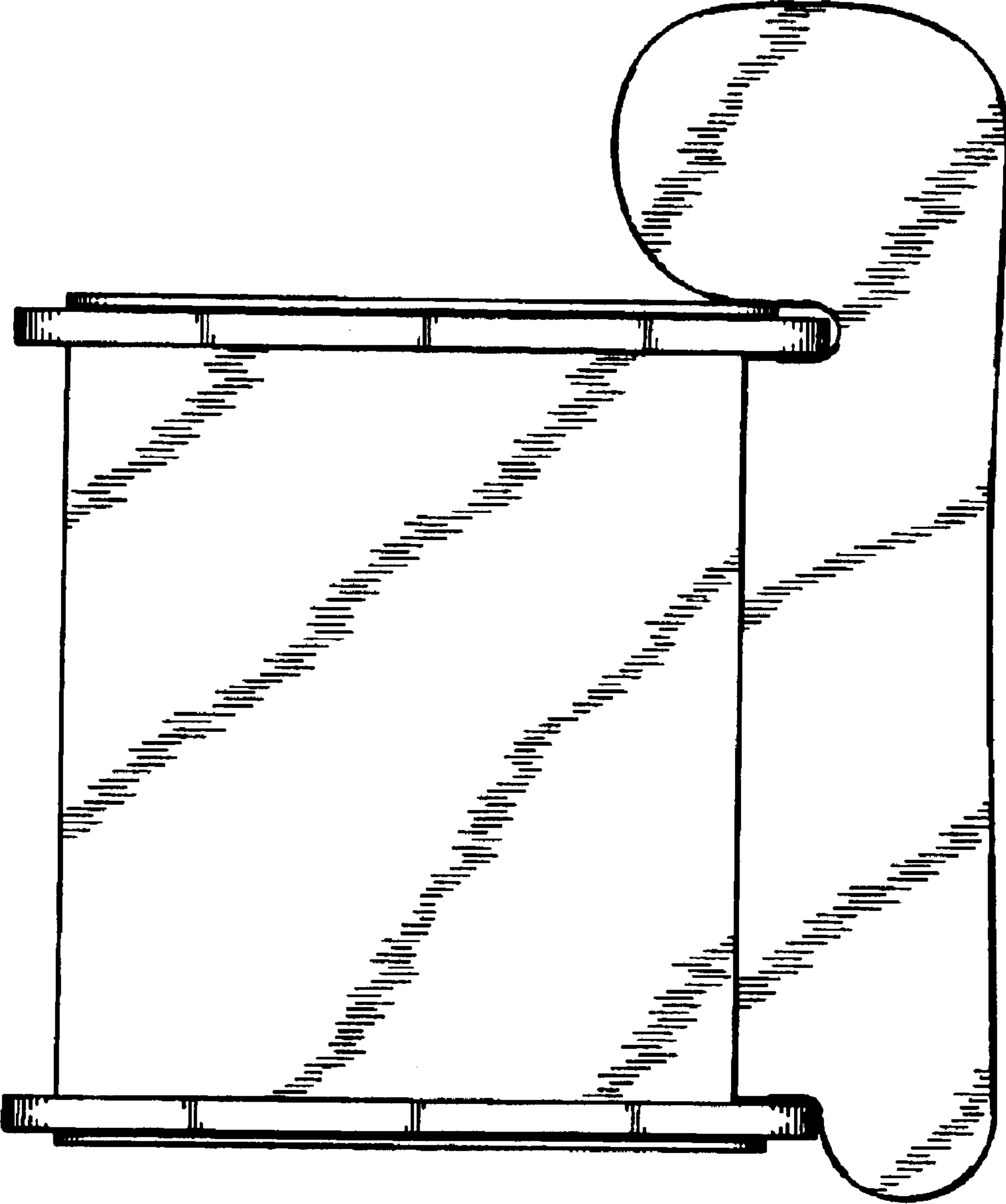


FIG. 7

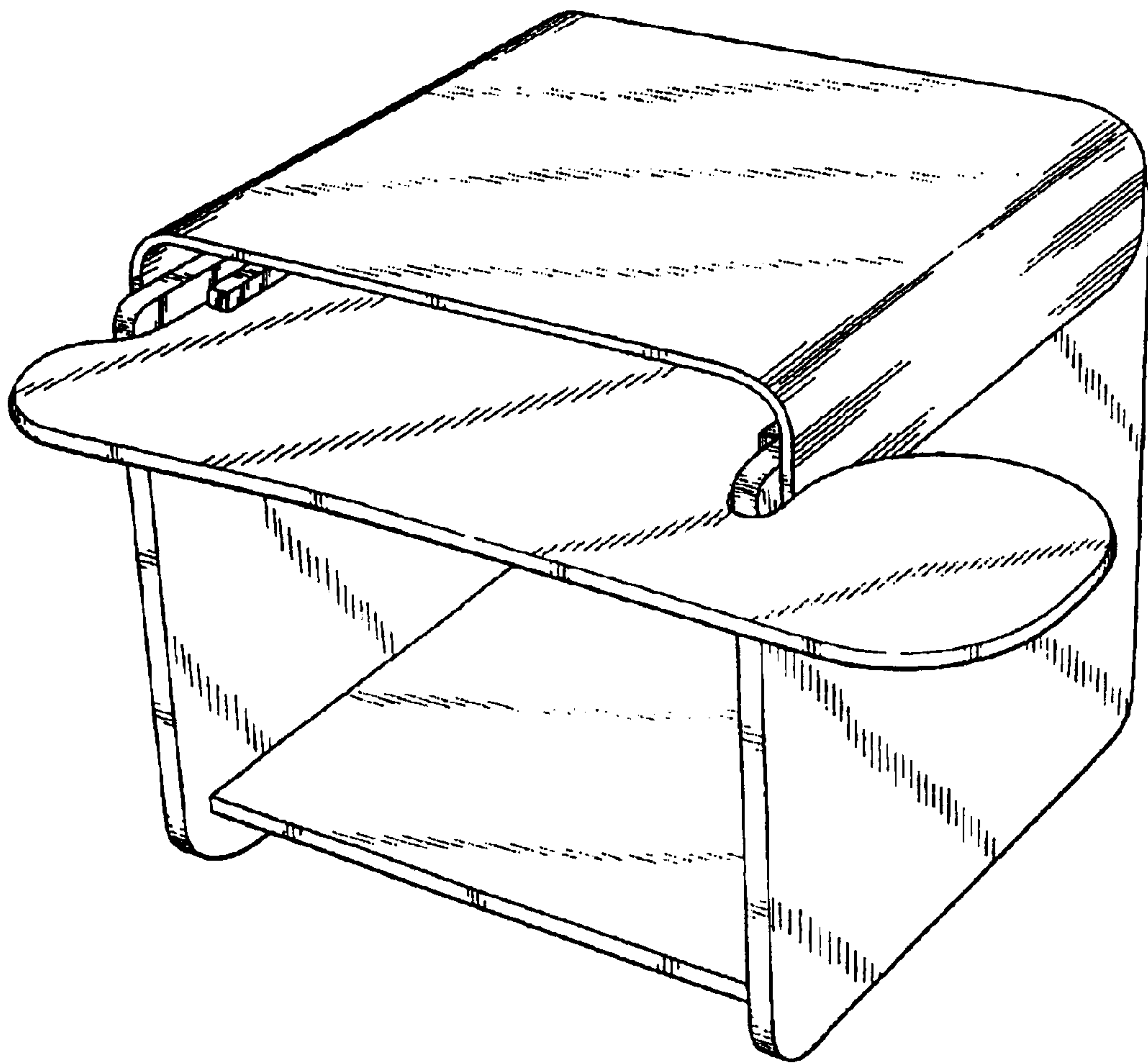


FIG. 8