

US00D496536S1

(12) **United States Design Patent**
Chang

(10) **Patent No.: US D496,536 S**

(45) **Date of Patent: ** Sep. 28, 2004**

(54) **COMPUTER TABLE**

(76) Inventor: **Chien-Kuo Chang**, P.O. Box 36-80,
Taichung City (TW)

(**) Term: **14 Years**

(21) Appl. No.: **29/190,781**

(22) Filed: **Sep. 26, 2003**

(51) **LOC (7) Cl. 06-04**

(52) **U.S. Cl. D6/425; D6/426**

(58) **Field of Search D6/422-428, 477,
D6/484; 108/50.01, 50.02; 312/208.1, 194-196**

(56) **References Cited**

U.S. PATENT DOCUMENTS

D426,085 S	*	6/2000	Shu-Fen	D6/426
D464,212 S	*	10/2002	Chen	D6/425
D473,067 S	*	4/2003	Chang	D6/425
D488,935 S	*	4/2004	Quintal	D6/426

* cited by examiner

Primary Examiner—Janice E. Seeger

(74) *Attorney, Agent, or Firm*—Charles E. Baxley

(57) **CLAIM**

The ornamental design for computer table, as shown and described.

DESCRIPTION

FIG. 1 is a perspective view of a computer table showing our new design thereof;

FIG. 2 is a front elevational view thereof;

FIG. 3 is a rear elevational view thereof;

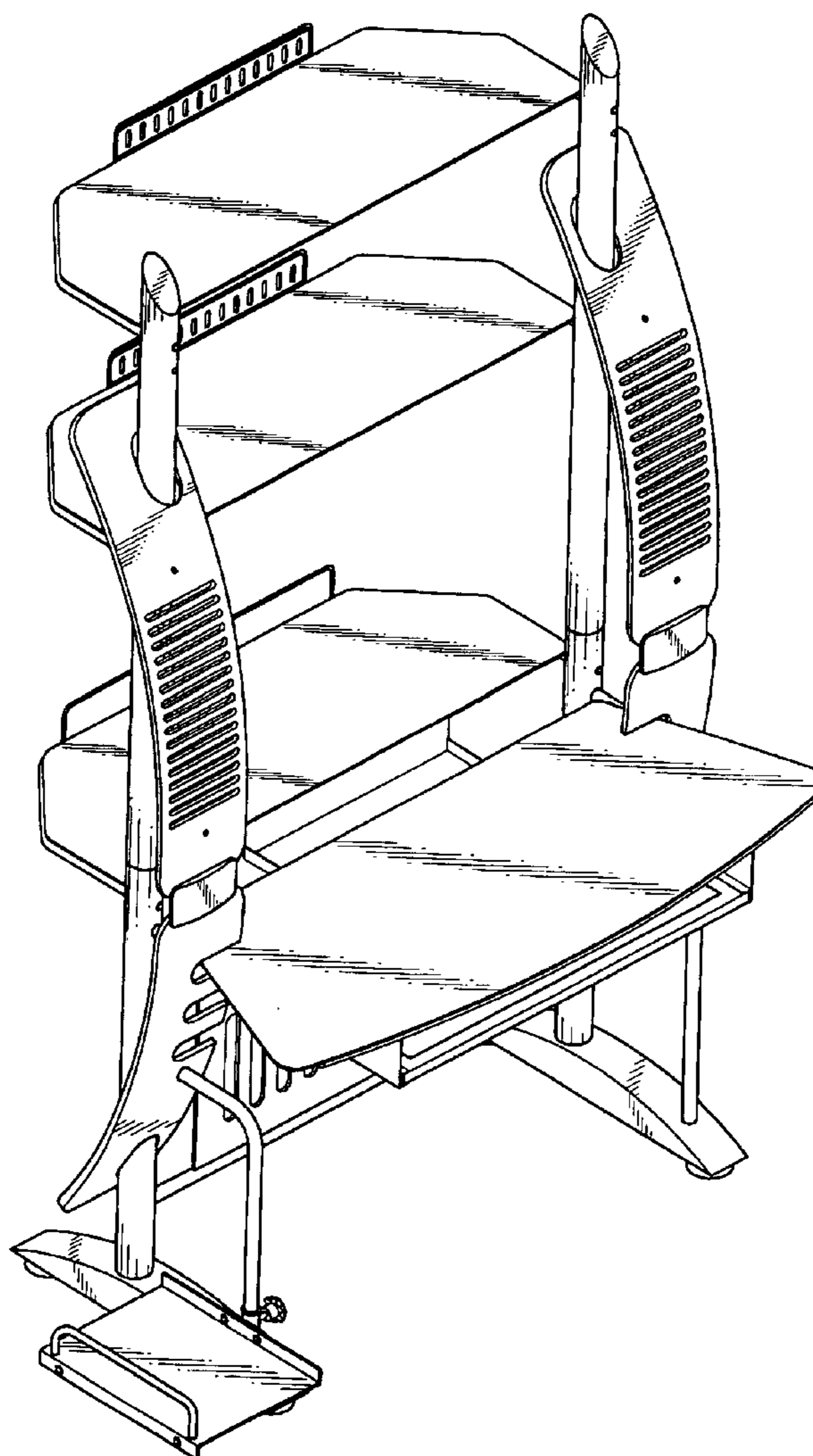
FIG. 4 is a left side elevational view thereof;

FIG. 5 is a right side elevational view thereof;

FIG. 6 is a top plan view thereof; and,

FIG. 7 is a bottom plan view thereof.

1 Claim, 5 Drawing Sheets



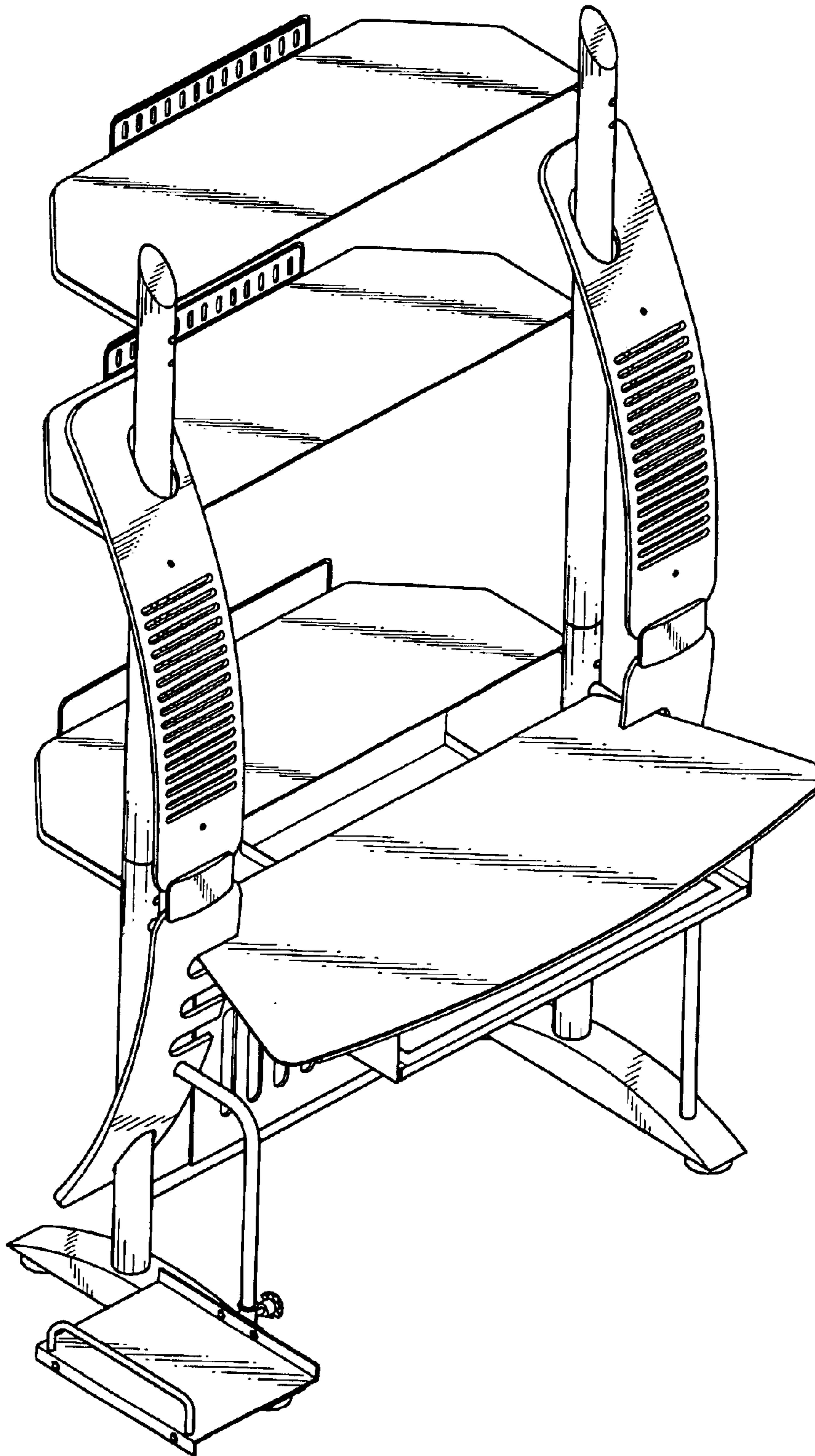


FIG. 1

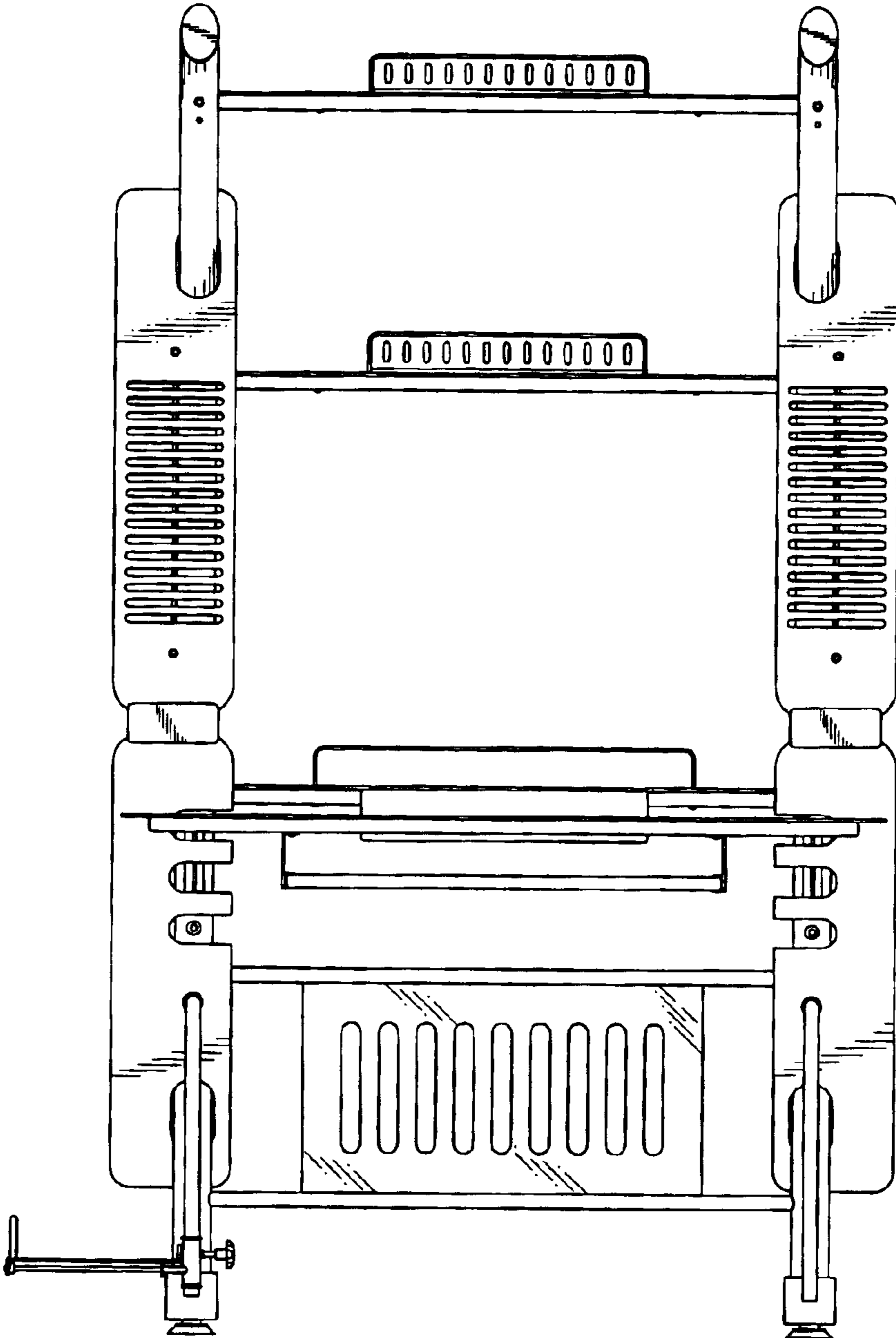


FIG.2

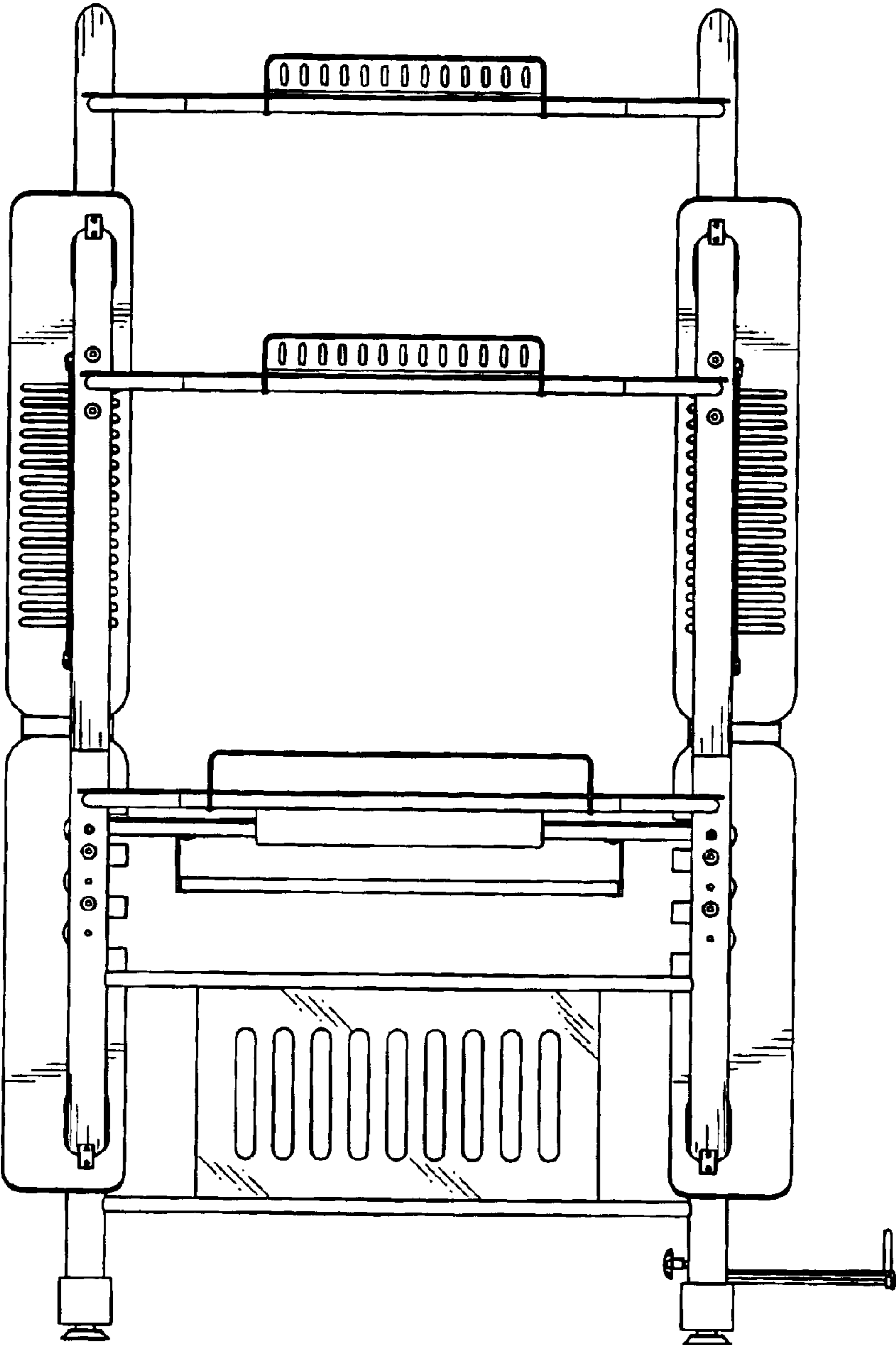


FIG.3

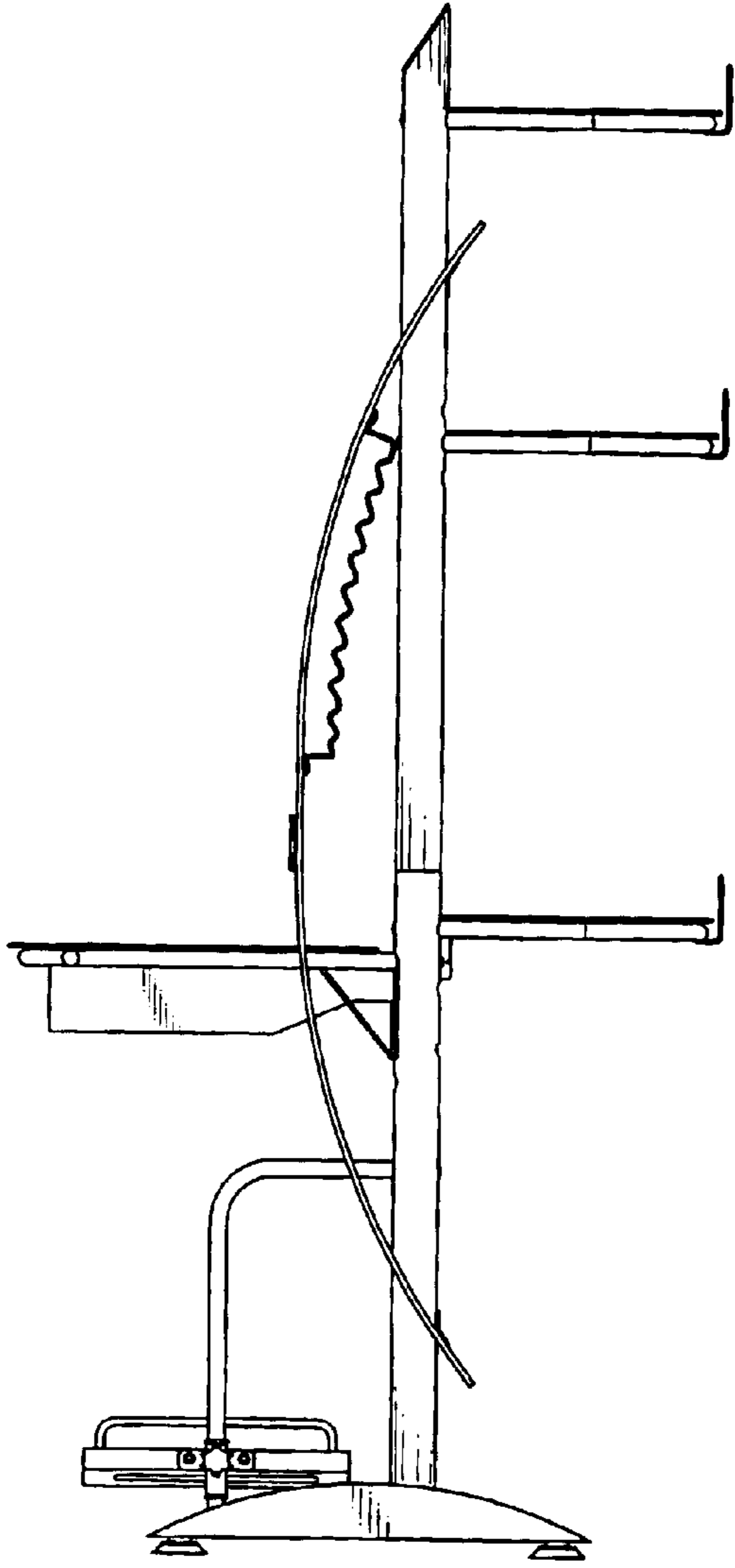


FIG. 4

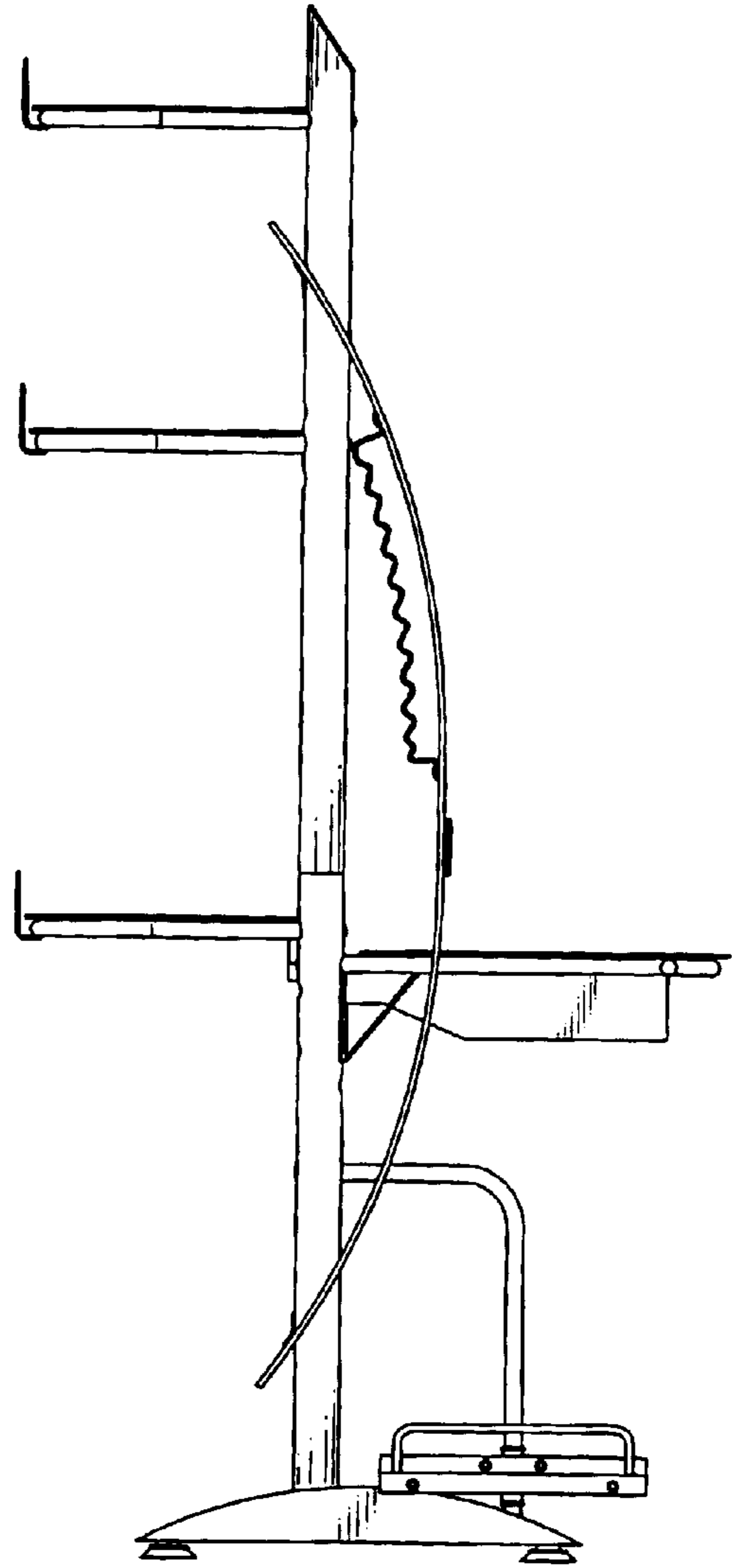


FIG. 5

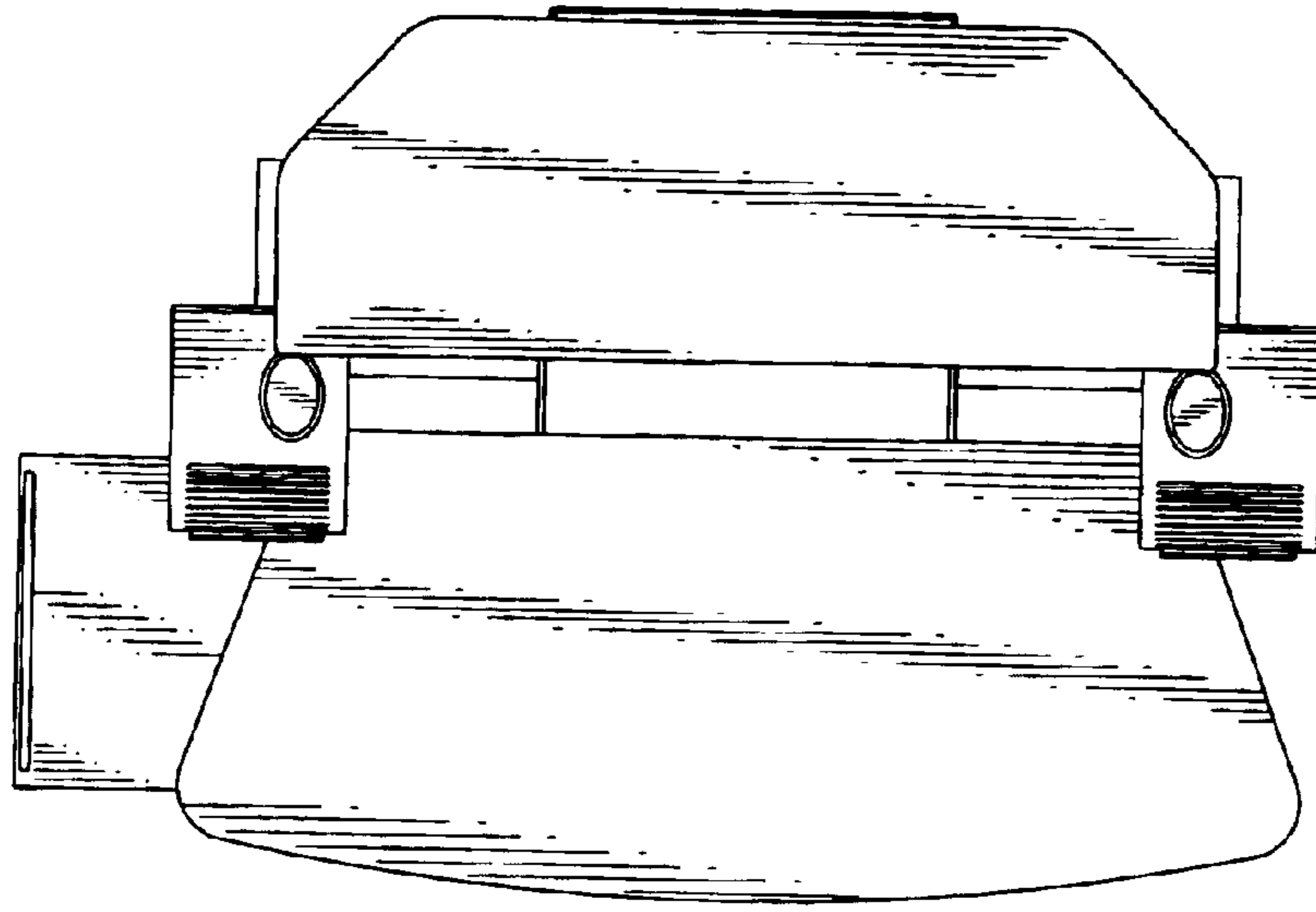


FIG. 6

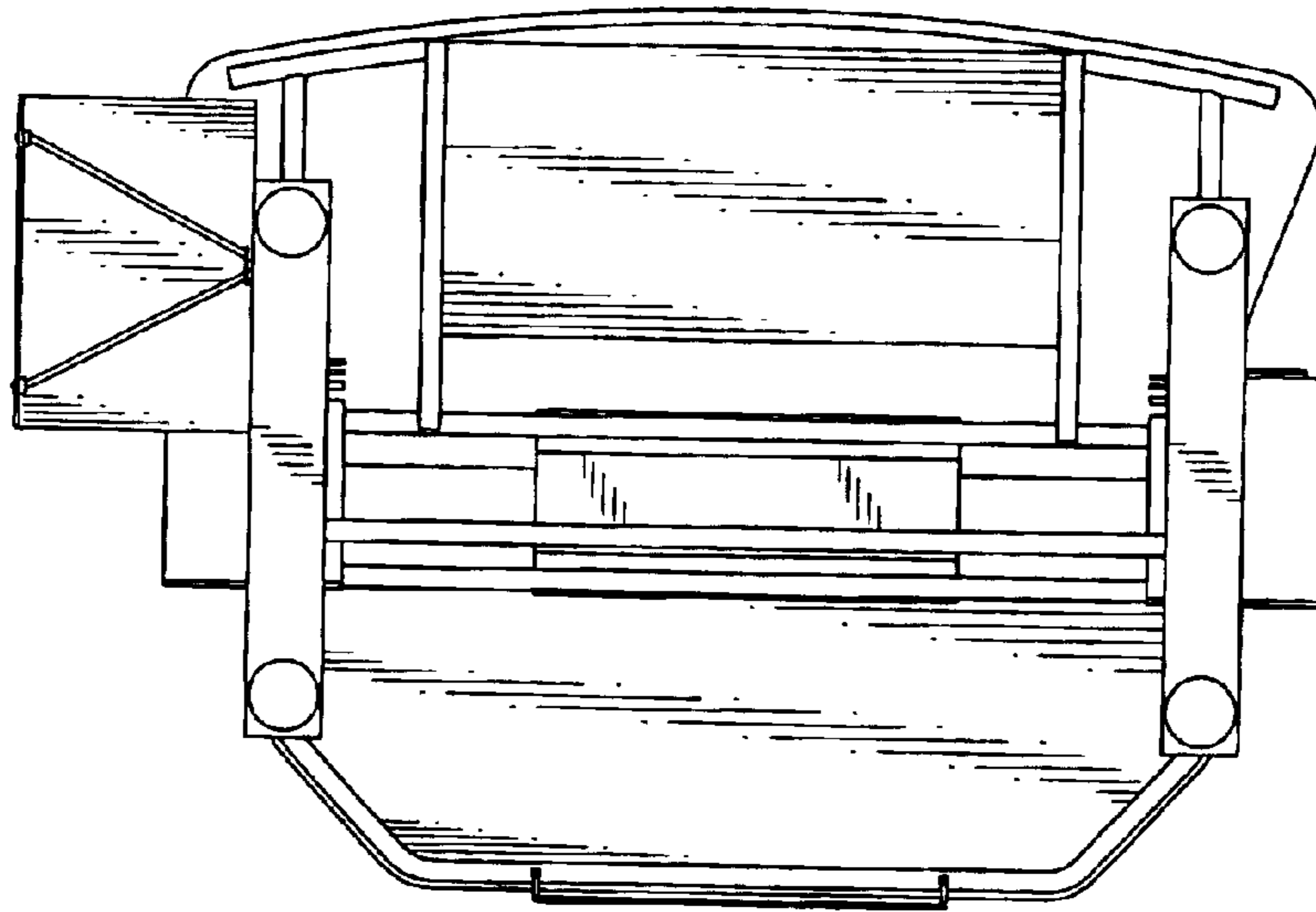


FIG. 7