

US00D496535S1

(12) **United States Design Patent**
Goodworth

(10) **Patent No.: US D496,535 S**
(45) **Date of Patent: ** Sep. 28, 2004**

(54) **OFFICE CHAIR**

(75) Inventor: **William H. Goodworth**, Davenport, IA
(US)

(73) Assignee: **HON Technology Inc.**, Muscatine, IA
(US)

(**) Term: **14 Years**

(21) Appl. No.: **29/157,542**

(22) Filed: **Mar. 21, 2002**

(51) **LOC (7) Cl.** **06-01**

(52) **U.S. Cl.** **D6/366**

(58) **Field of Search** D6/334, 364, 365,
D6/366, 367, 372, 379, 500, 501, 502;
297/445.1, 411.2, 411.27, 411.28

(56) **References Cited**

U.S. PATENT DOCUMENTS

D269,142 S	*	5/1983	Umanoff	D6/372
D369,705 S	*	5/1996	George et al.	D6/500
D399,668 S	*	10/1998	Crinion	D6/372
D402,128 S	*	12/1998	Wilson	D6/372
D403,519 S	*	1/1999	Stafford	D6/366

D409,022 S	*	5/1999	Vanderwood et al.	D6/500
D428,724 S	*	8/2000	Beaulieu	D6/372
D437,499 S	*	2/2001	Tseng	D6/366
D444,637 S	*	7/2001	Tseng	D6/366
D446,396 S	*	8/2001	Phillips et al.	D6/366
D448,583 S	*	10/2001	Tsai	D6/366
D459,601 S	*	7/2002	Moore	D6/366
D473,409 S	*	4/2003	Chen	D6/500

* cited by examiner

Primary Examiner—Gary D. Watson

(74) *Attorney, Agent, or Firm*—Joseph H. Golant; Jones Day

(57) **CLAIM**

The ornamental design for an office chair, as shown.

DESCRIPTION

FIG. 1 is an isometric view of the office chair showing the new design;

FIG. 2 is a front elevation view thereof;

FIG. 3 is a rear elevation view thereof;

FIG. 4 is a left side elevation view thereof; and,

FIG. 5 is a top plan view thereof.

1 Claim, 3 Drawing Sheets



Fig. 1



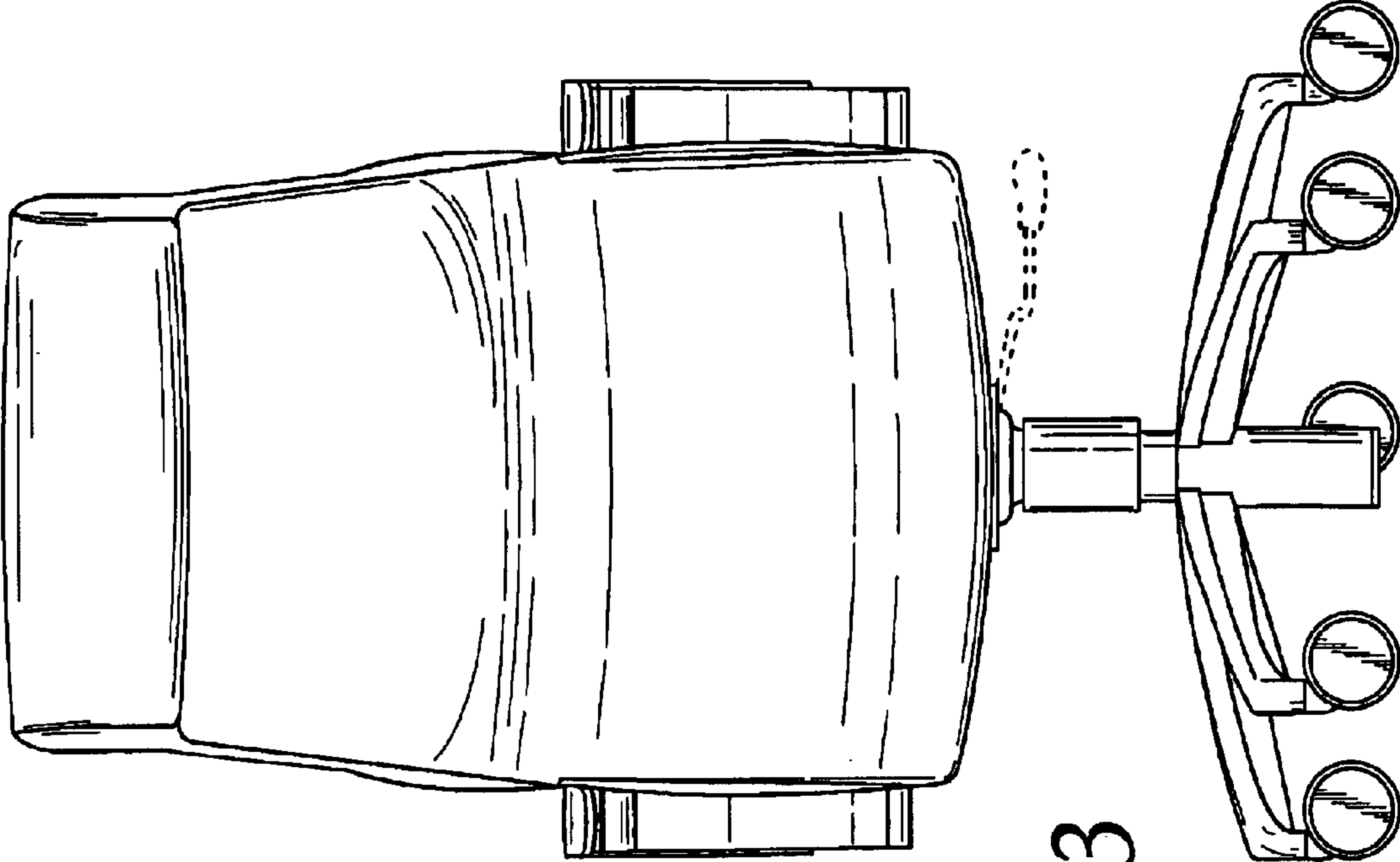


Fig. 2

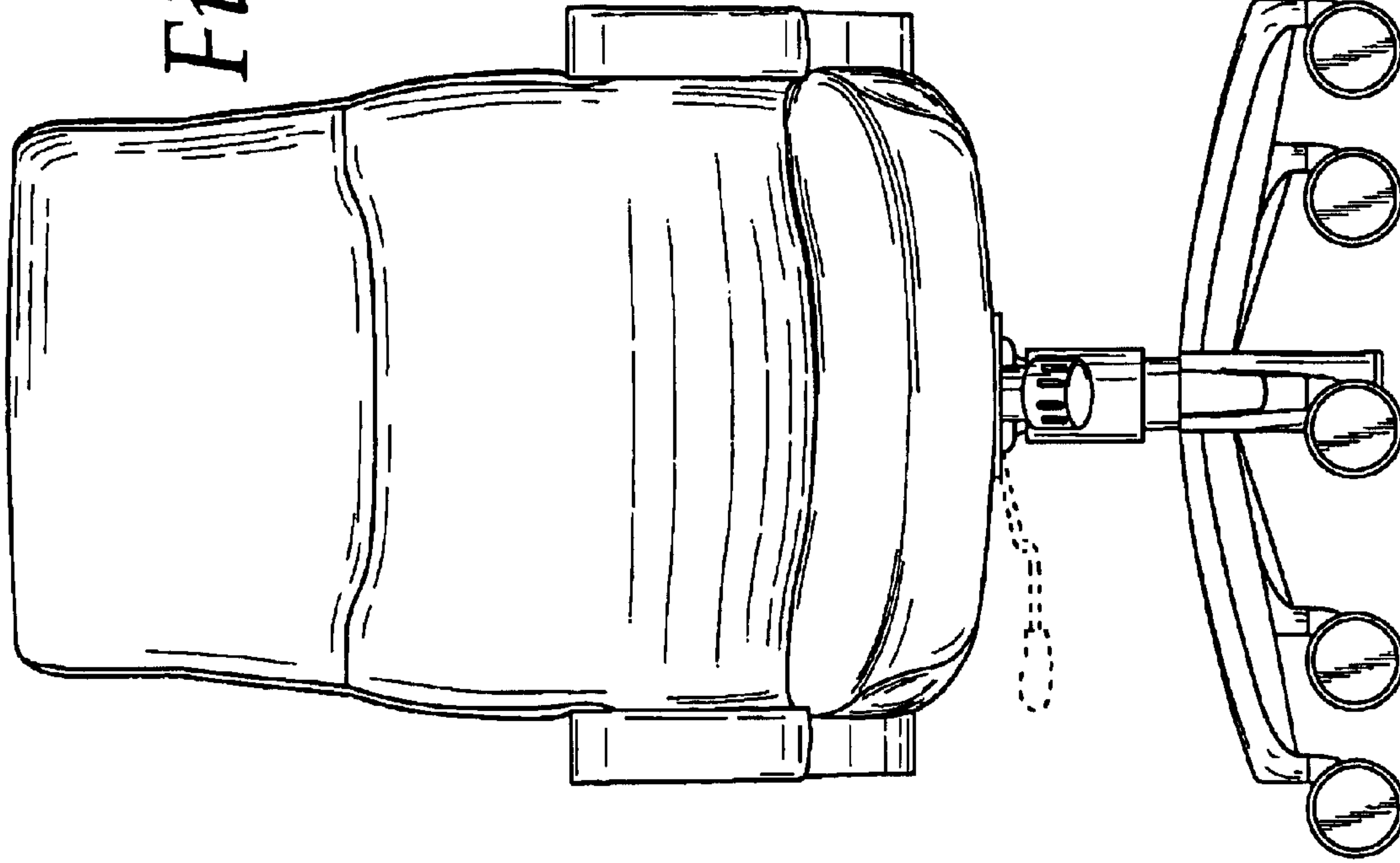


Fig. 3

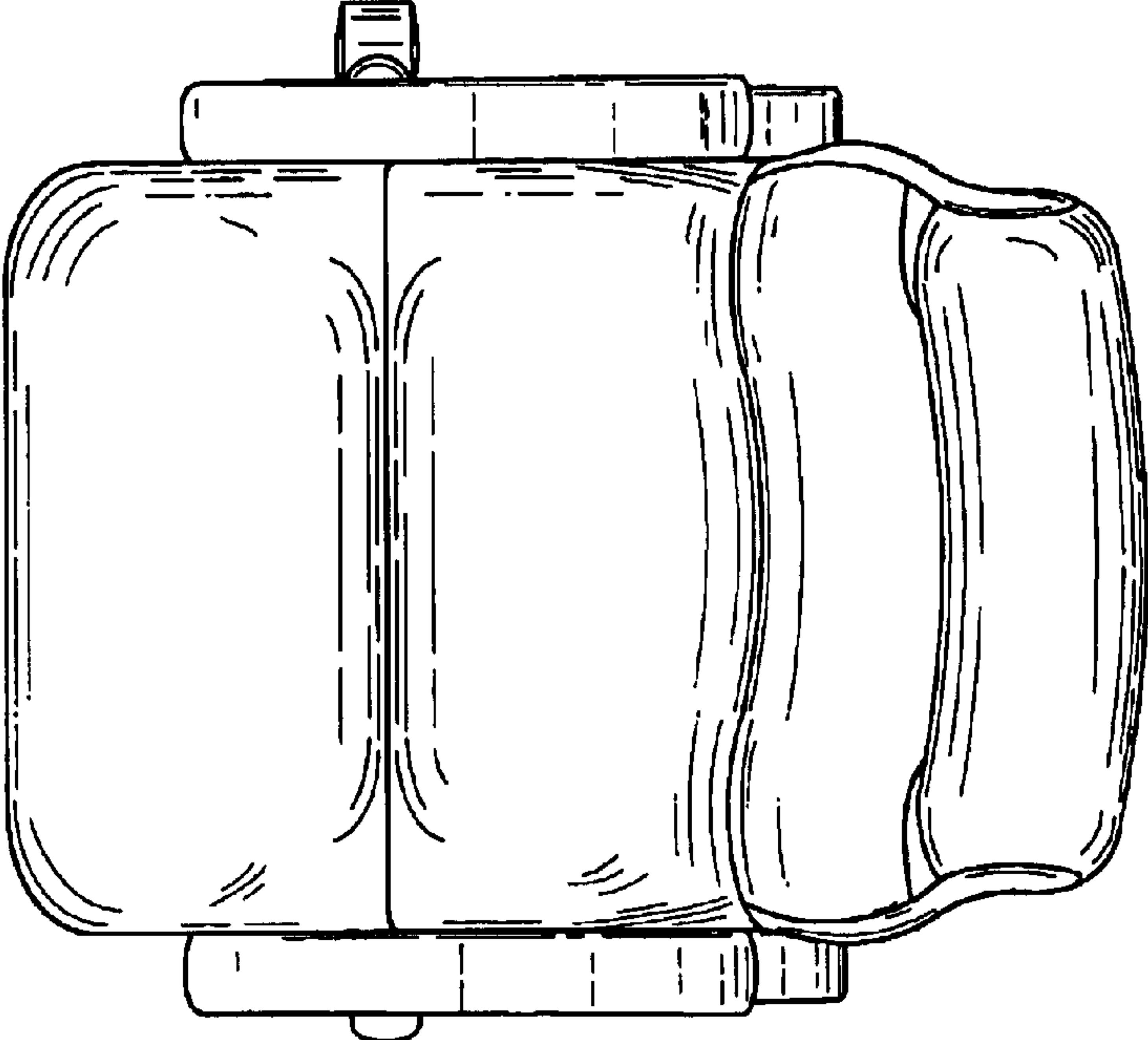


Fig. 5

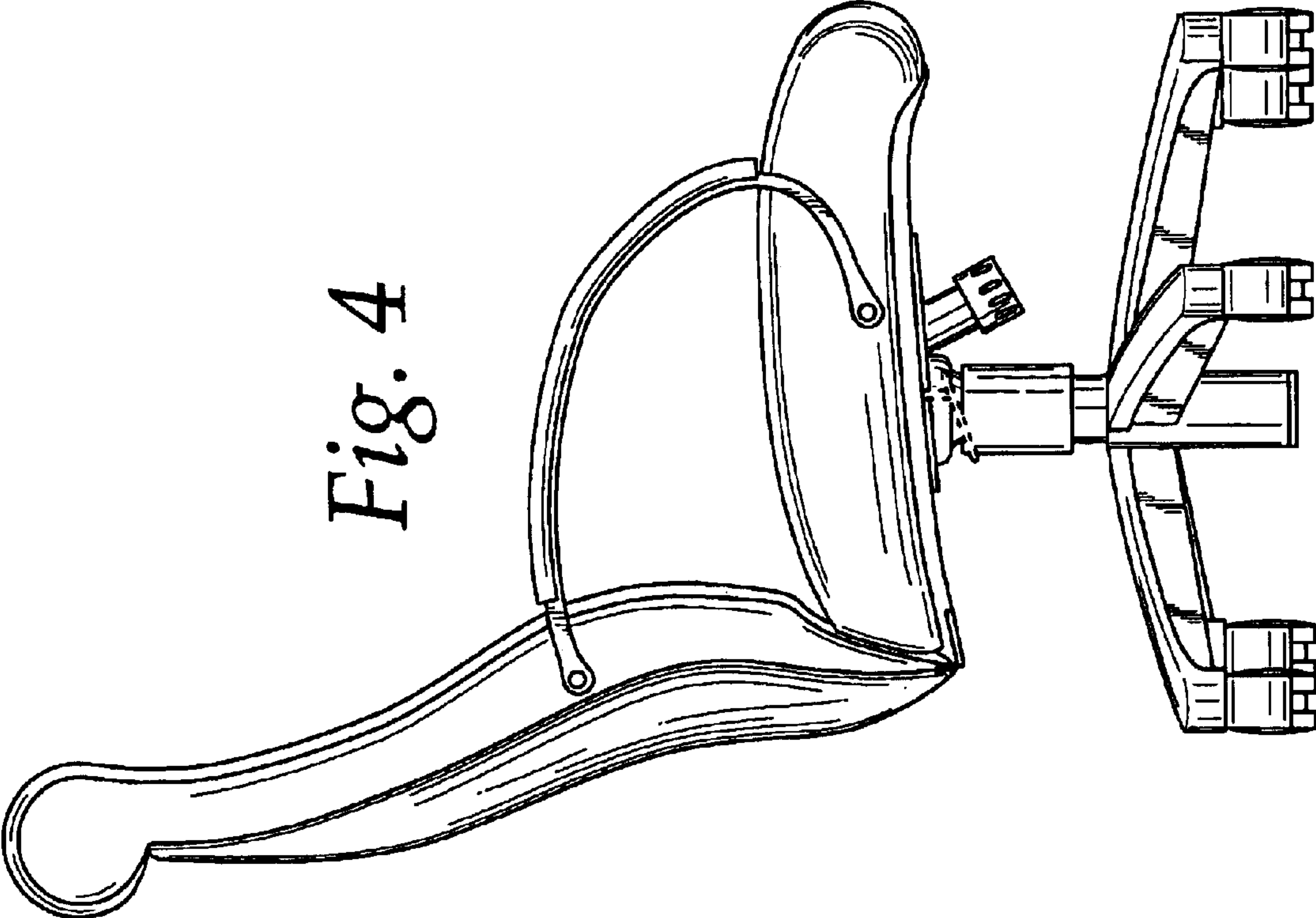


Fig. 4