

US00D496532S1

(12) **United States Design Patent** (10) **Patent No.:** **US D496,532 S**
Hay (45) **Date of Patent:** **** Sep. 28, 2004**

(54) **HANDLE ASSEMBLY**

(75) Inventor: **Christopher Hay**, Causeway Bay (HK)

(73) Assignee: **Hayco Manufacturing Limited**,
Causeway Bay (HK)

(**) Term: **14 Years**

(21) Appl. No.: **29/168,942**

(22) Filed: **Oct. 10, 2002**

(51) **LOC (7) Cl.** **04-01**

(52) **U.S. Cl.** **D4/138**

(58) **Field of Search** D4/114, 115, 132,
D4/138, 199; D32/45, 50; 15/143.1, 144.1,
144.3, 144.4, 145, 159.1, 160, 171; 16/422,
429, 430; 401/268, 270, 277, 279, 289

(56) **References Cited**

U.S. PATENT DOCUMENTS

1,972,653 A * 9/1934 Hart 15/144.3
D311,645 S * 10/1990 Warwick et al. D4/115

FOREIGN PATENT DOCUMENTS

CH 648191 A5 * 3/1985 A46B/11/06
DE 19857685 A1 * 6/2000 A47L/13/00
DE 10129309 A1 * 3/2002 A47L/13/42

* cited by examiner

Primary Examiner—Alan P. Douglas

Assistant Examiner—Lavone D. Tabor

(74) *Attorney, Agent, or Firm*—Smith-Hill and Bedell

(57) **CLAIM**

The ornamental design of “handle assembly,” as shown and described.

DESCRIPTION

FIG. 1 is a front perspective view showing one embodiment of a “handle assembly” incorporating the design of my invention;

FIG. 2 is a front view thereof;

FIG. 3 is a rear view thereof;

FIG. 4 is a side view thereof;

FIG. 5 is another side view thereof;

FIG. 6 is a top view thereof;

FIG. 7 is a bottom view thereof;

FIG. 8 is an alternative front perspective view thereof showing the handle assembly fitted with a different brush head;

FIG. 9 is a front view of the assembly shown in FIG. 8;

FIG. 10 is a rear view of the assembly shown in FIG. 8;

FIG. 11 is a side view of the assembly shown in FIG. 8;

FIG. 12 is another side view of the assembly shown in FIG. 8;

FIG. 13 is a top view of the assembly shown in FIG. 8;

FIG. 14 is a front perspective view showing another embodiment of a “handle assembly” incorporating the design of my invention;

FIG. 15 is a front view of the assembly shown in FIG. 14;

FIG. 16 is a rear view of the assembly shown in FIG. 14;

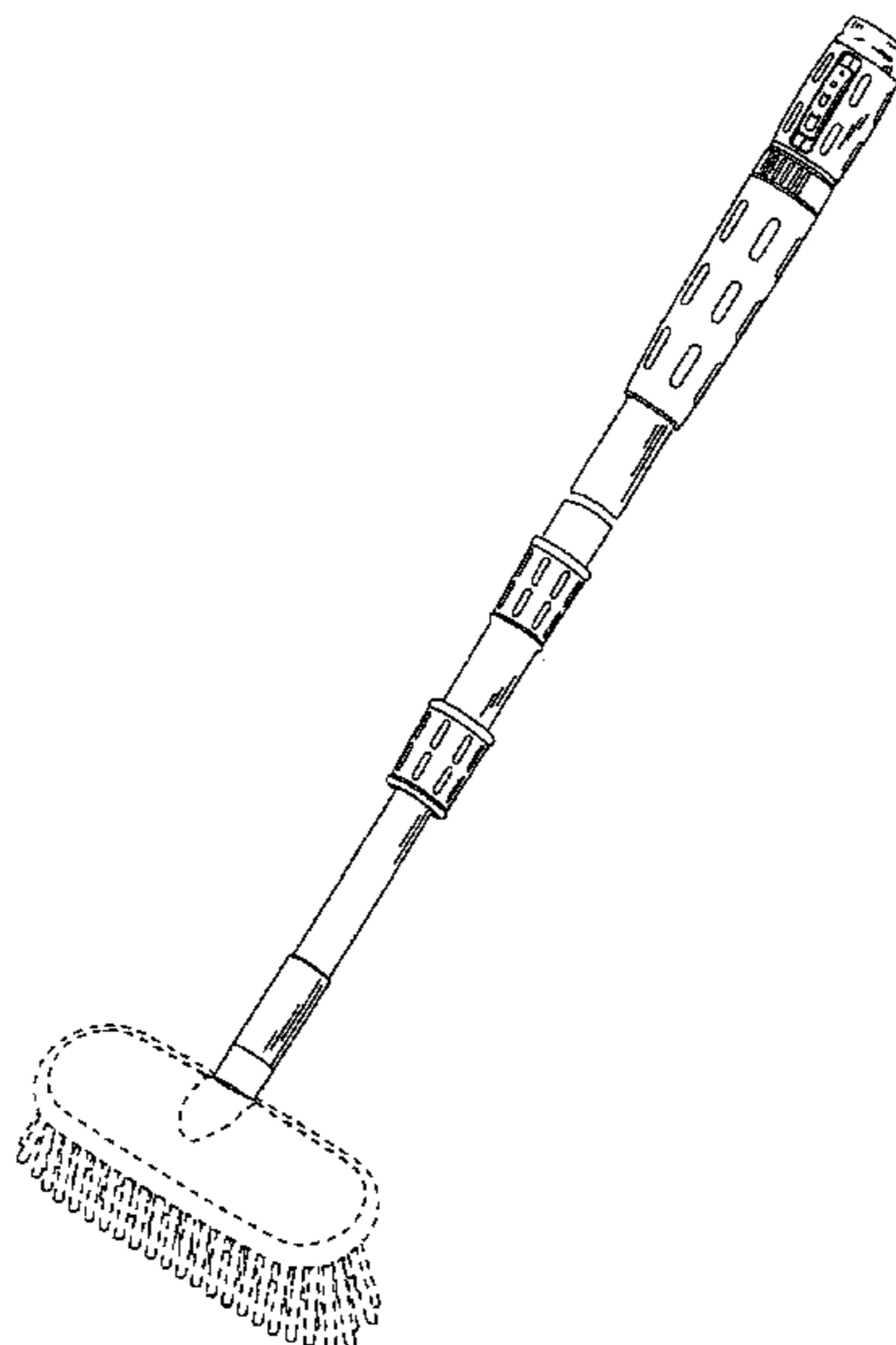
FIG. 17 is a side view of the assembly shown in FIG. 14;

FIG. 18 is another side view of the assembly shown in FIG. 14; and,

FIG. 19 is a top view of the assembly shown in FIG. 14.

The part of the figures shown in phantom depicts the environment of my new design and forms no part of the design. The break in the handle illustrates that the portion of the handle assembly may be of any length.

1 Claim, 19 Drawing Sheets



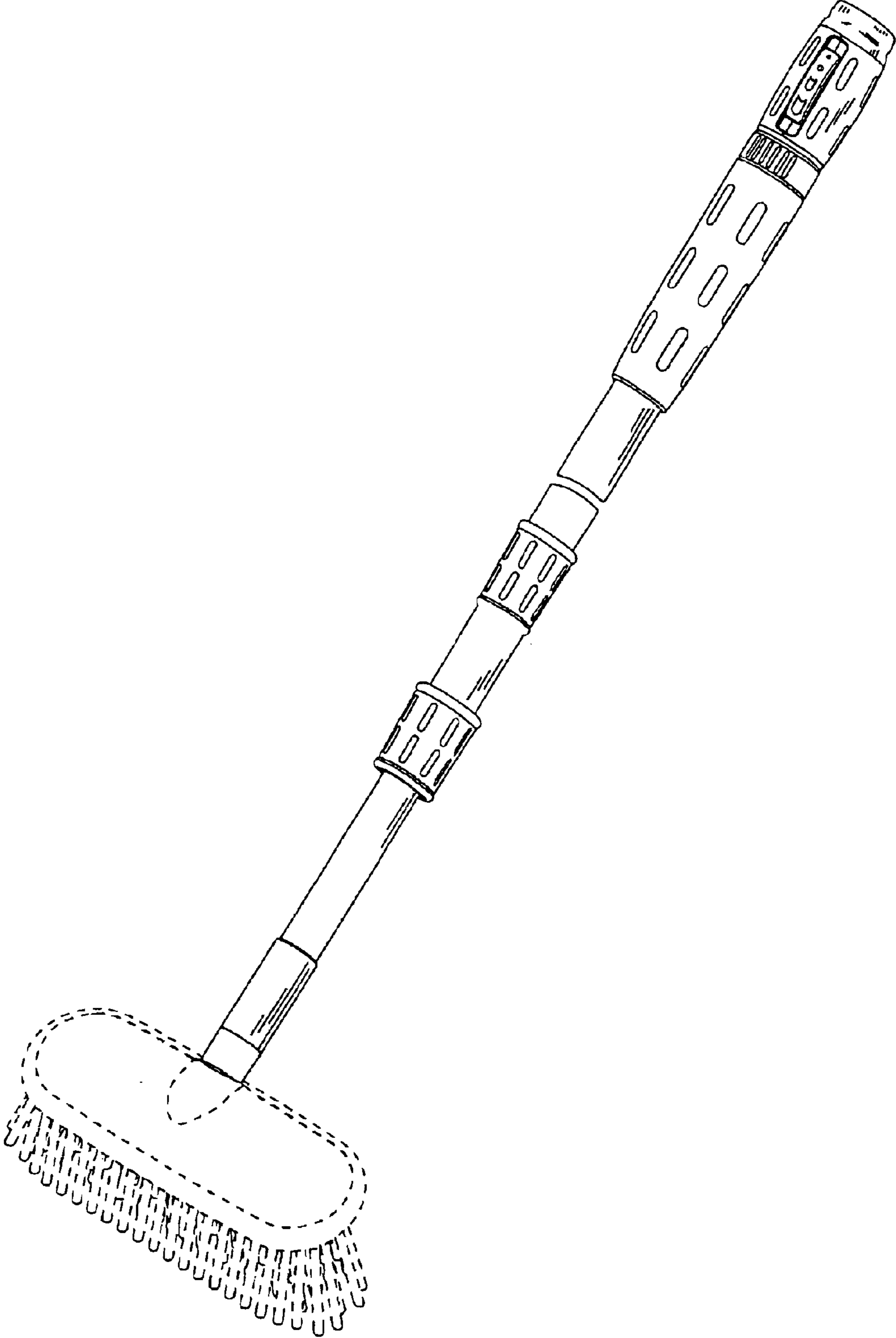


FIG. 1

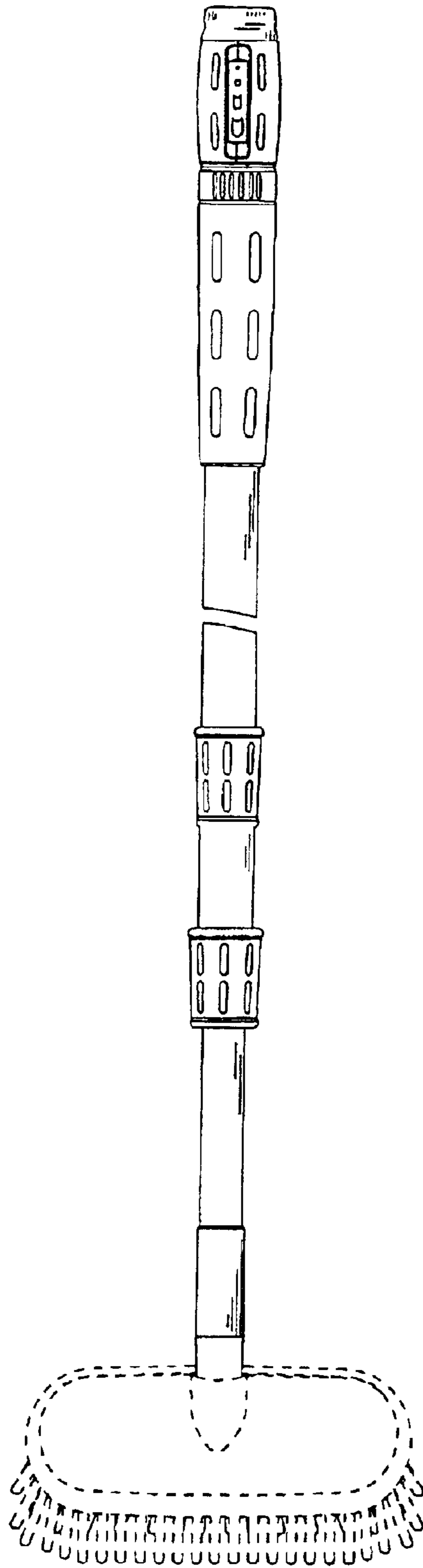


FIG. 2

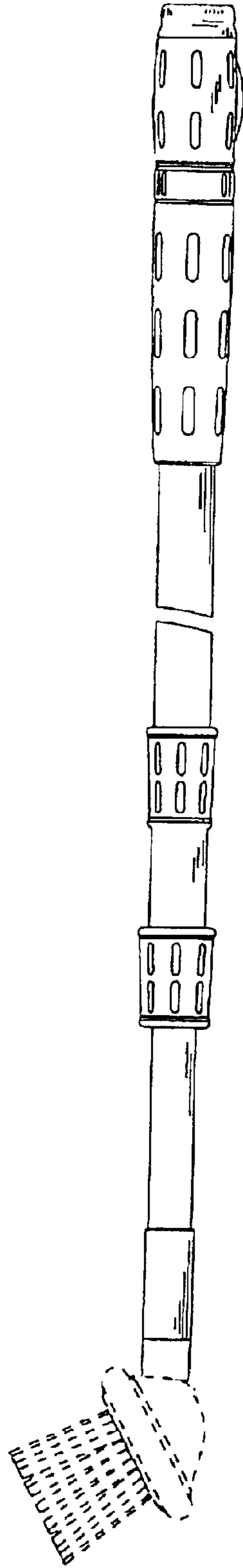


FIG. 4

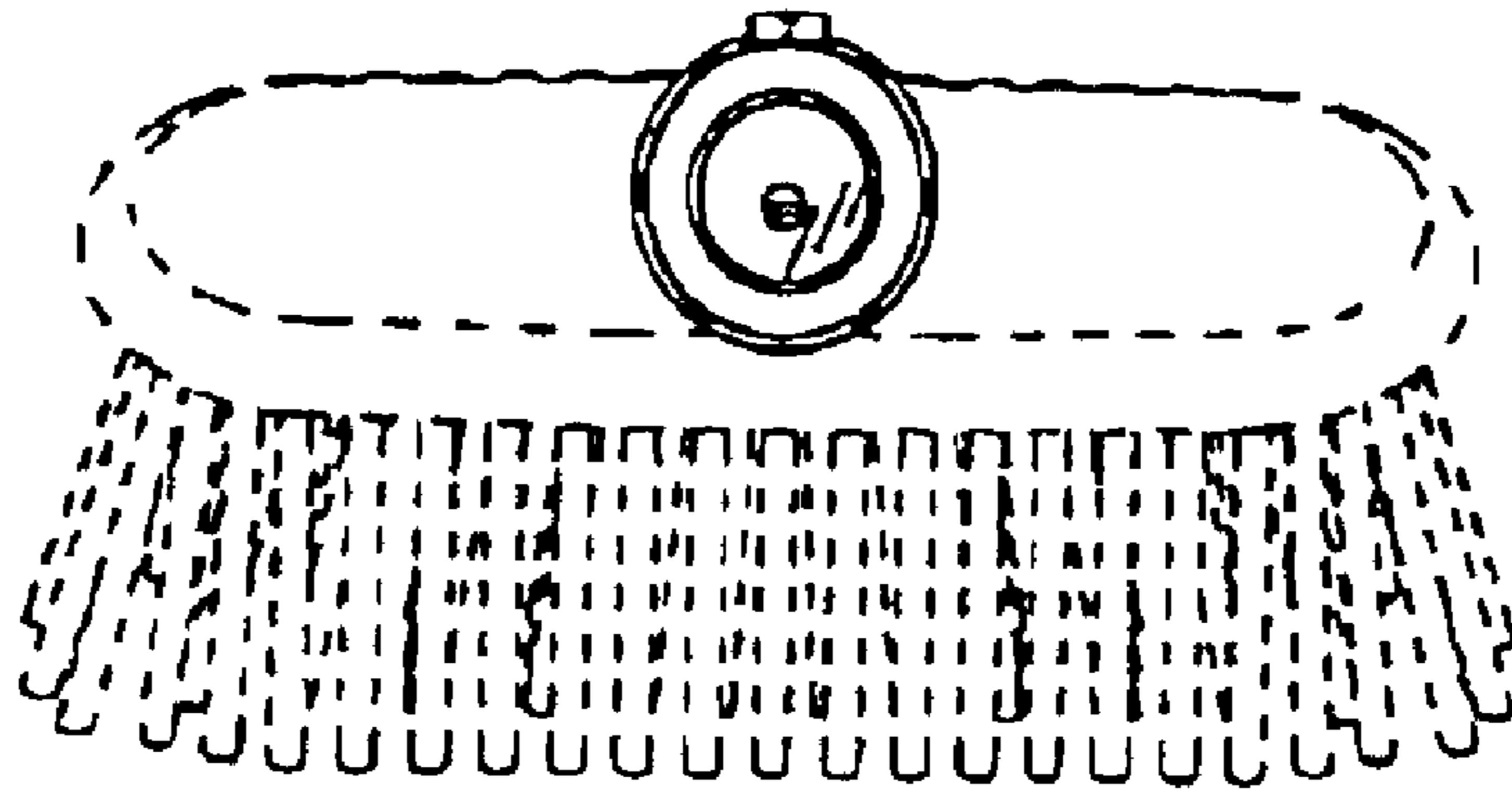


FIG. 6

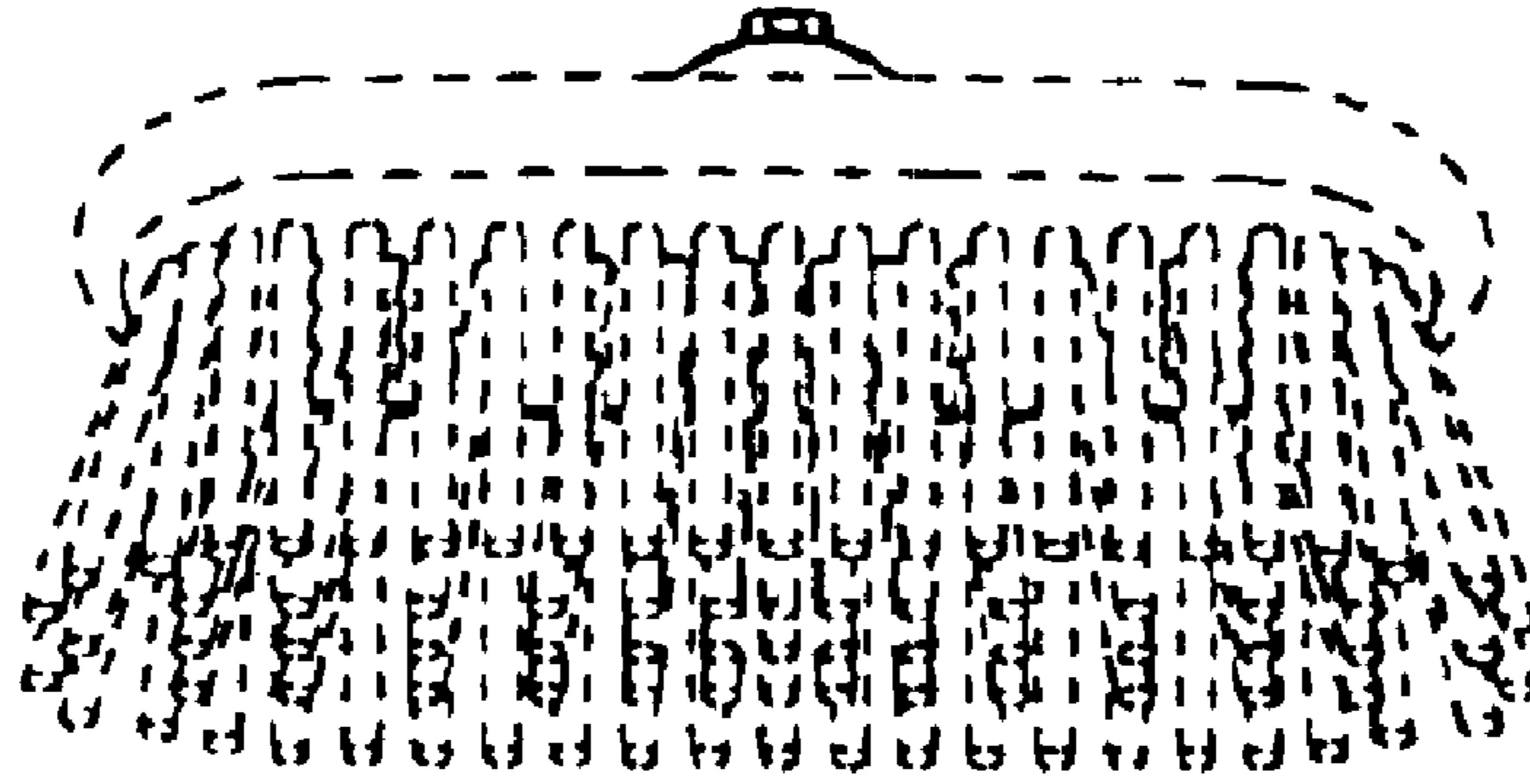


FIG. 7

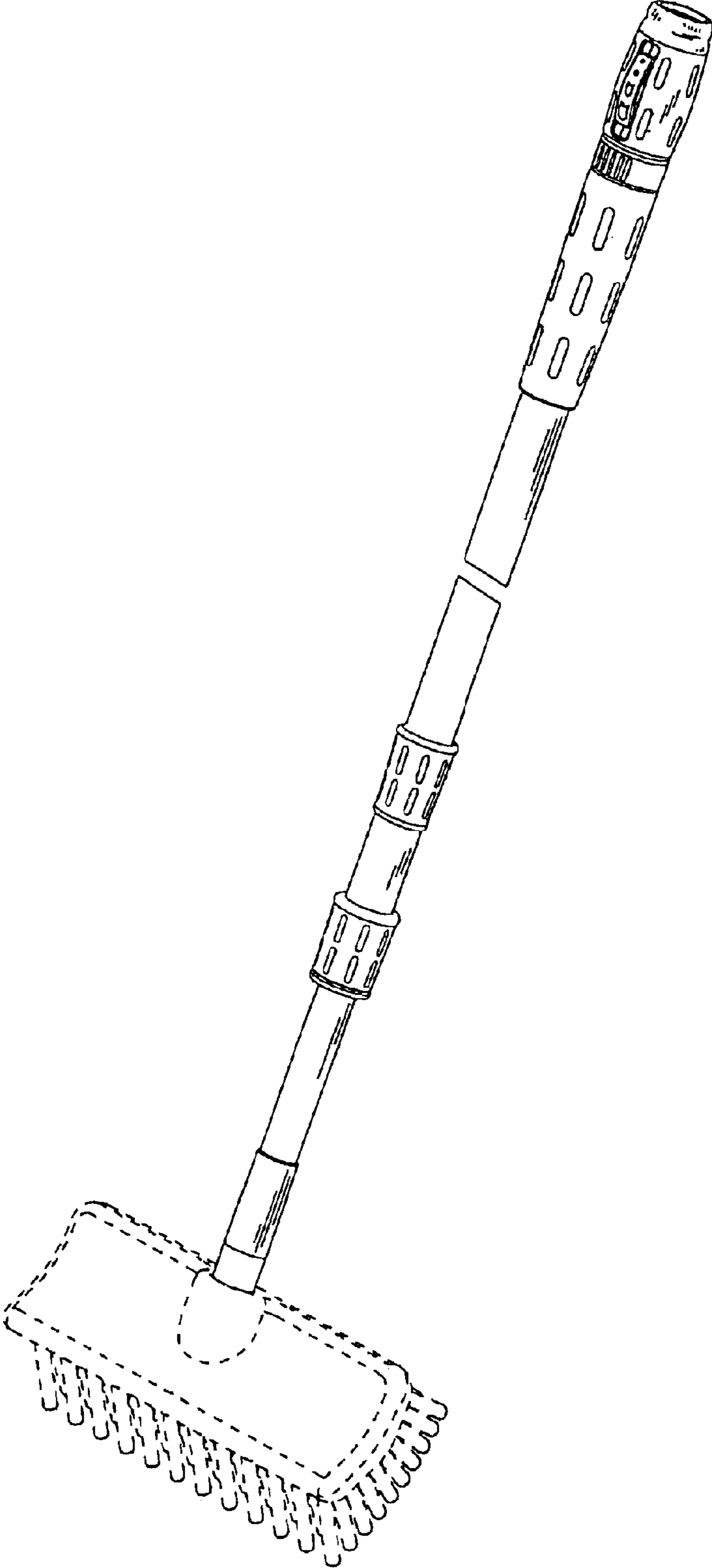


FIG. 8

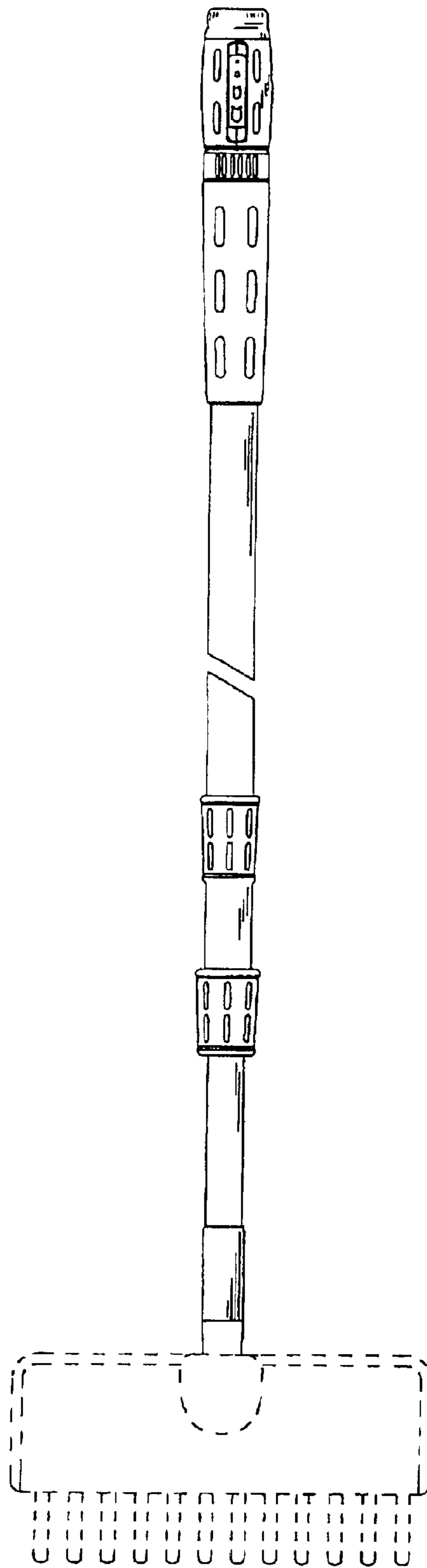


FIG. 9

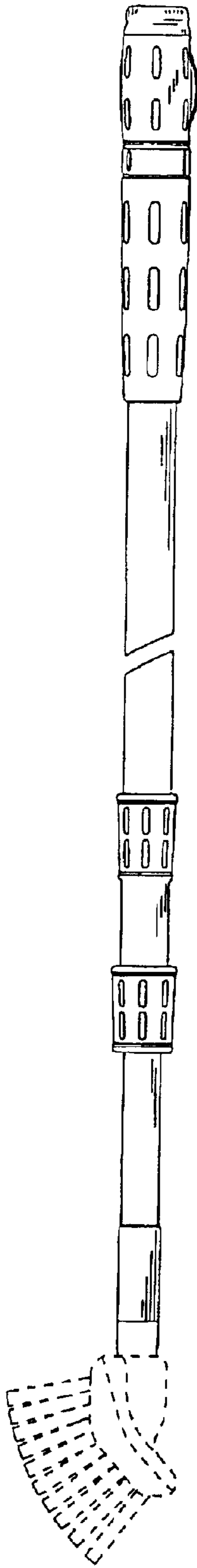


FIG. 11

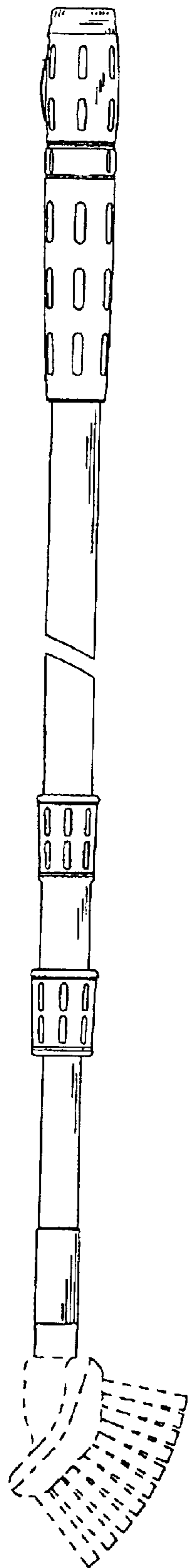


FIG. 12

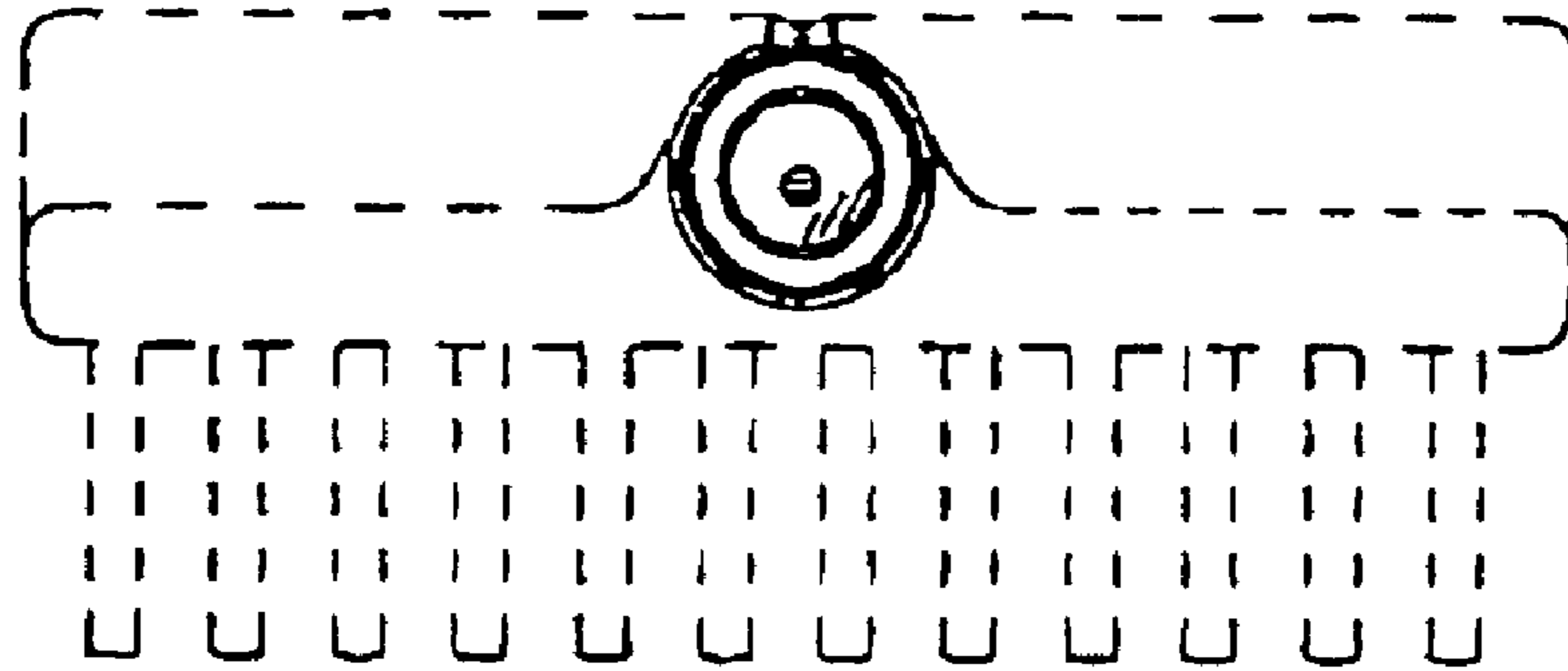


FIG. 13

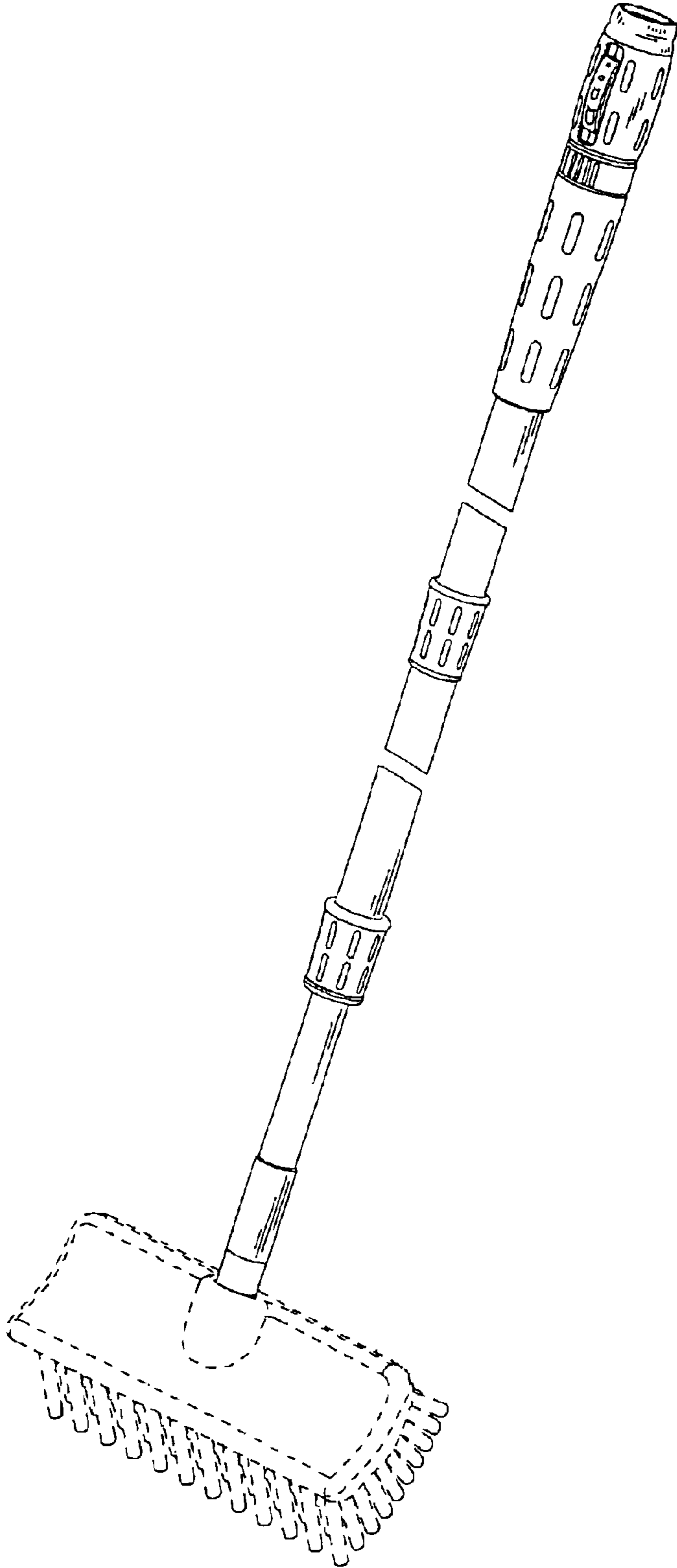


FIG. 14

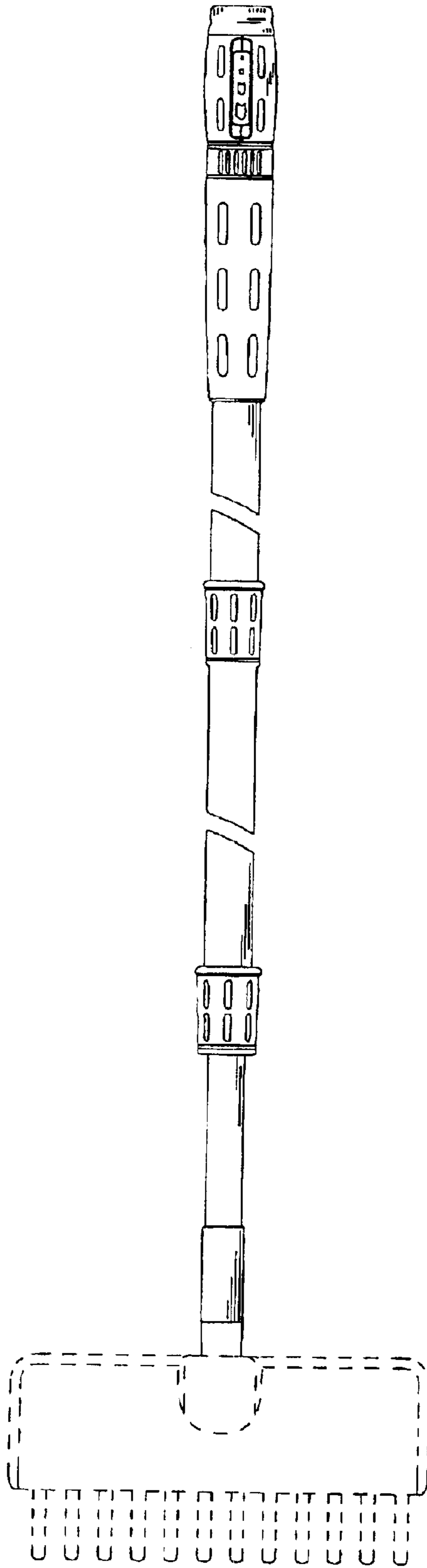


FIG. 15

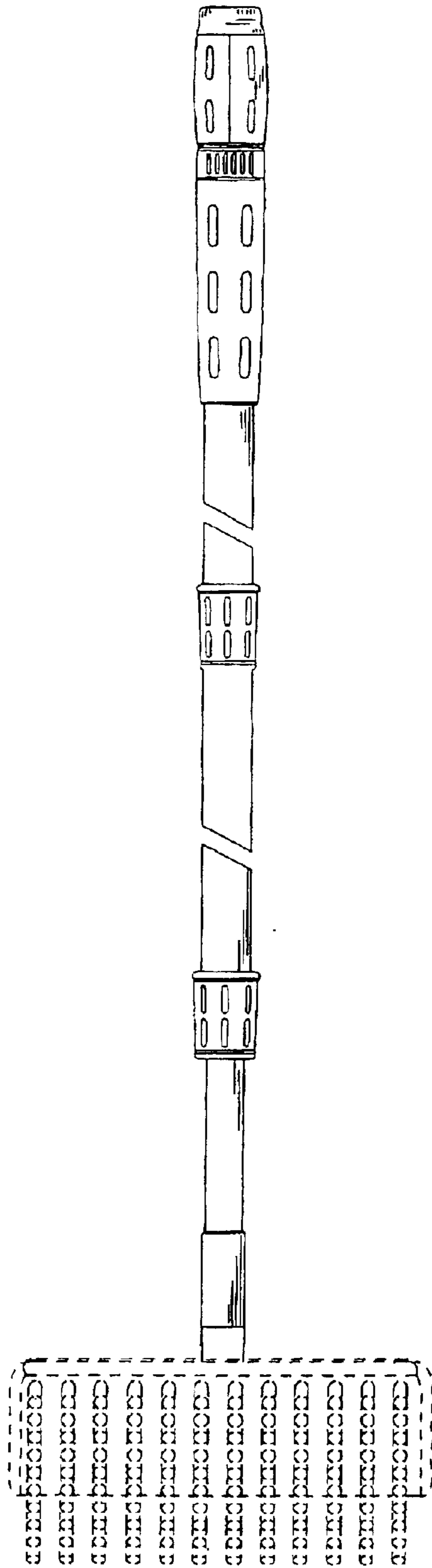


FIG. 16

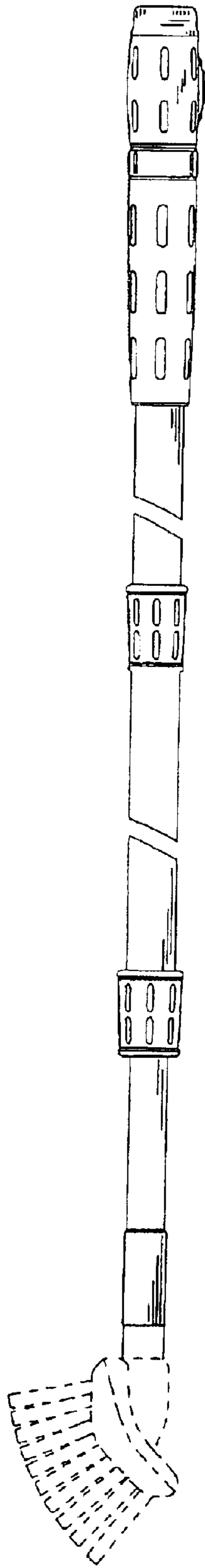


FIG. 17

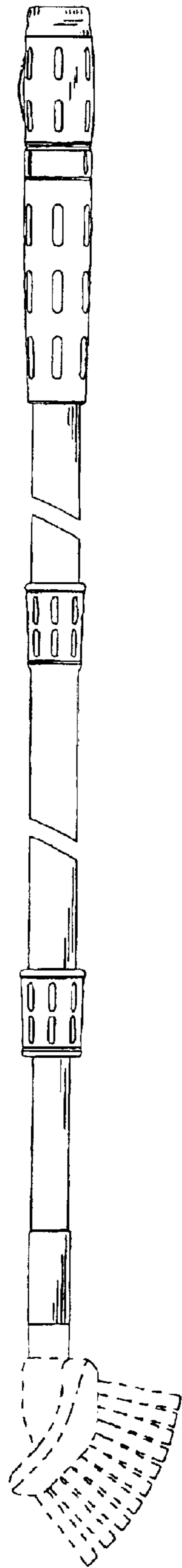


FIG. 18

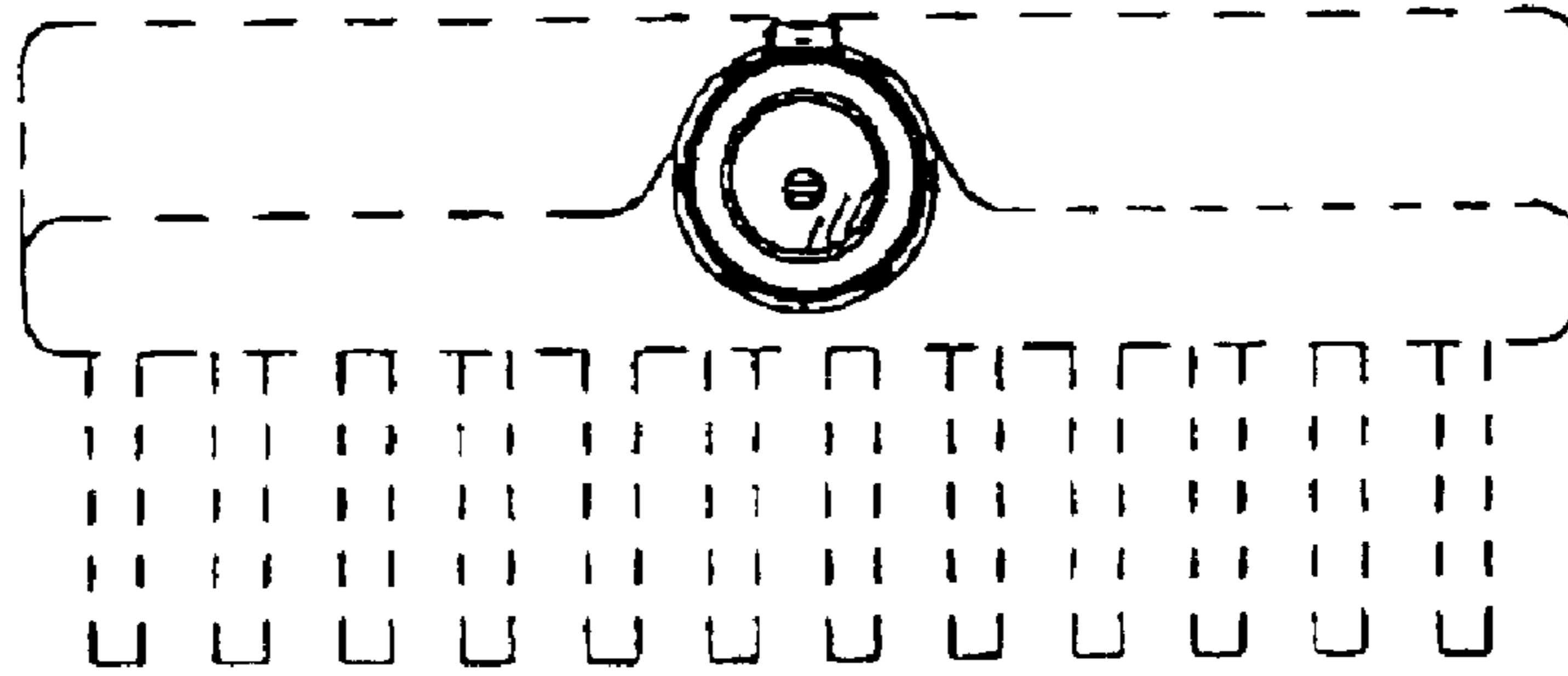


FIG. 19