

US00D496531S1

(12) **United States Design Patent** (10) **Patent No.:** **US D496,531 S**
Einav et al. (45) **Date of Patent:** **** Sep. 28, 2004**

(54) **TOOLBOX WITH HANDLE**

DESCRIPTION

(75) Inventors: **Yehuda Einav**, Nes Tziona (IL); **Amir Katz**, Bat Hefer (IL); **Ronny Levy**, Tel Aviv (IL)

(73) Assignee: **ZAG Industries Ltd.**, Rosh Ha' Ayin (IL)

(**) Term: **14 Years**

(21) Appl. No.: **29/189,765**

(22) Filed: **Sep. 11, 2003**

(51) **LOC (7) Cl.** **03-01**

(52) **U.S. Cl.** **D3/276; D3/291; D3/294; D3/905**

(58) **Field of Search** **D3/273, 274, 276, D3/281, 282, 283, 284, 294, 295, 905; 312/902; 206/349, 372, 373; 190/100, 115; 220/752, 760**

(56) **References Cited**

U.S. PATENT DOCUMENTS

4,984,687 A	1/1991	Hanna et al.	206/373
D326,559 S	* 6/1992	Szablak et al.	D3/281
D331,317 S	* 12/1992	Tsai	D3/281
D335,960 S	* 6/1993	Kahl et al.	D7/709
5,238,142 A	8/1993	Hanna et al.	
5,337,910 A	* 8/1994	Picozza et al.	220/367.1
D364,426 S	* 11/1995	Bucaccio	D19/75
D373,021 S	* 8/1996	Breen et al.	D3/276
D394,290 S	* 5/1998	Best et al.	D21/748
6,155,616 A	12/2000	Akright	
D440,401 S	* 4/2001	Pauser et al.	D3/276
6,484,880 B1	* 11/2002	Shaeffer	206/581

* cited by examiner

Primary Examiner—Philip S. Hyder

(74) *Attorney, Agent, or Firm*—Pillsbury Winthrop LLP

(57) **CLAIM**

The ornamental design for a toolbox with handle, as shown and described.

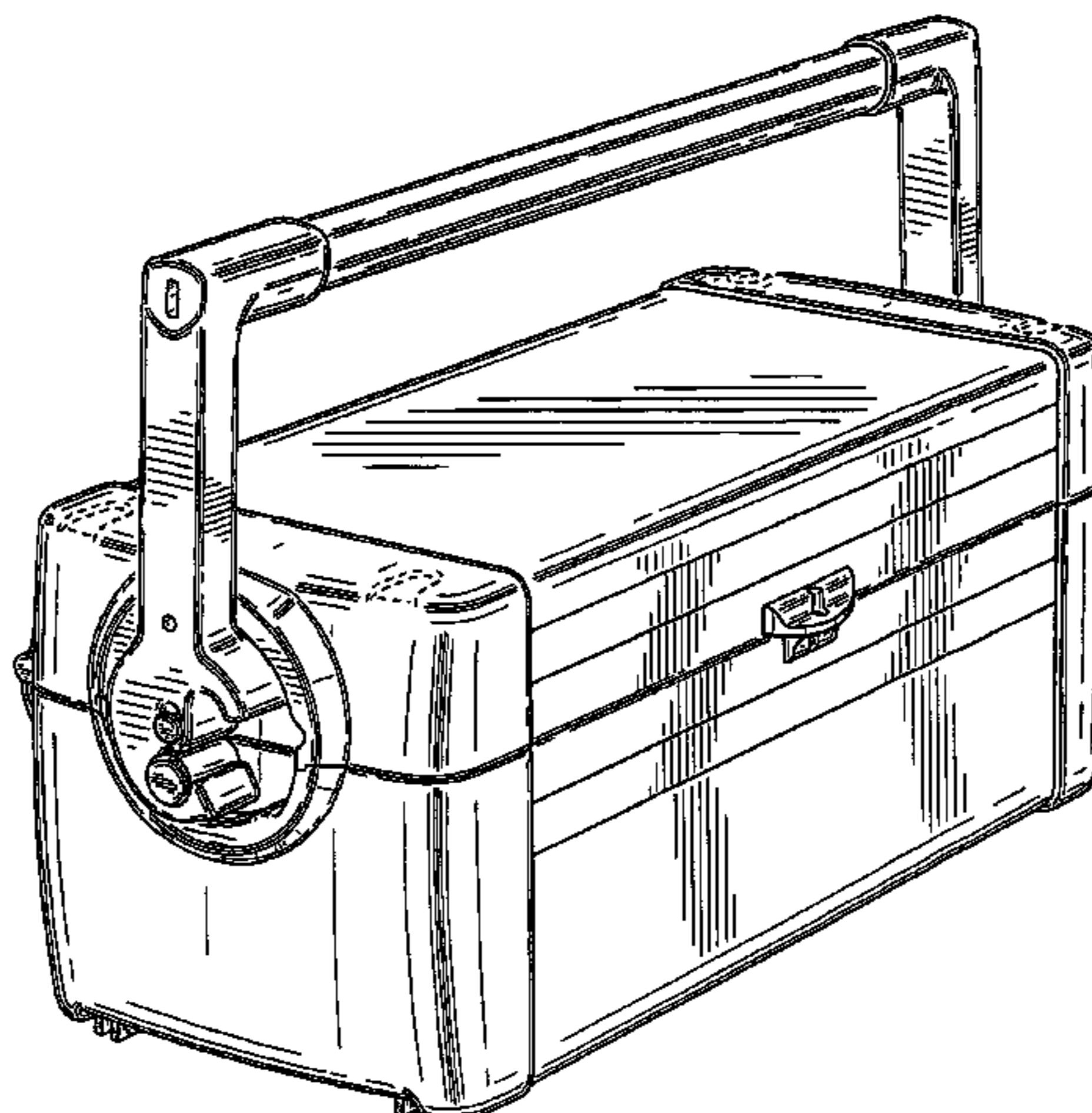
FIG. 1 is a side perspective view of the toolbox according to the design with the handle in a raised carrying position; FIG. 2 is a front view of the design of FIG. 1; FIG. 3 is a back view of the design of FIG. 1; FIG. 4 is a top view of the design of FIG. 1; FIG. 5 is a left side view of the design of FIG. 1; the right side view being a mirror image; FIG. 6 is a side perspective view of the toolbox according to the design with the handle in a partially lowered access position; FIG. 7 is a left side view of the design of FIG. 6; the right side view being a mirror image; FIG. 8 is a side perspective view of the toolbox according to the design with the handle in a fully lowered locked position; FIG. 9 is a left side view of the design of FIG. 8; the right side view being a mirror image; FIG. 10 is a side perspective view of the toolbox according to the design with the top in an open position; FIG. 11 is a left side view of the design of FIG. 10; the right side view being a mirror image; FIG. 12 is a side perspective view of the toolbox according to another embodiment of the design with the handle in a raised carrying position; and, FIG. 13 is a front view of the design of FIG. 12.

The views depicted in the drawings and described above show the handle and the top in various positions to more fully appreciate the various aspects of the design.

Throughout the various figures of the drawings, certain views are not provided. The omission of a particular view is intended to convey that the particular ornamental appearance in that view is simply not claimed. In FIGS. 6–11 only side perspective views and side views are provided since the other views of the toolbox are shown in FIGS. 1–5 and these additional figures are merely provided for additional explanatory views with the handle and top in different positions. In the embodiment represented by FIGS. 12 and 13, the omitted views are the same as the embodiment of FIGS. 1–11 and are therefore not provided.

Where included, broken lines showing environment or structure are for illustrative purposes only and form no part of the claimed design.

1 Claim, 13 Drawing Sheets



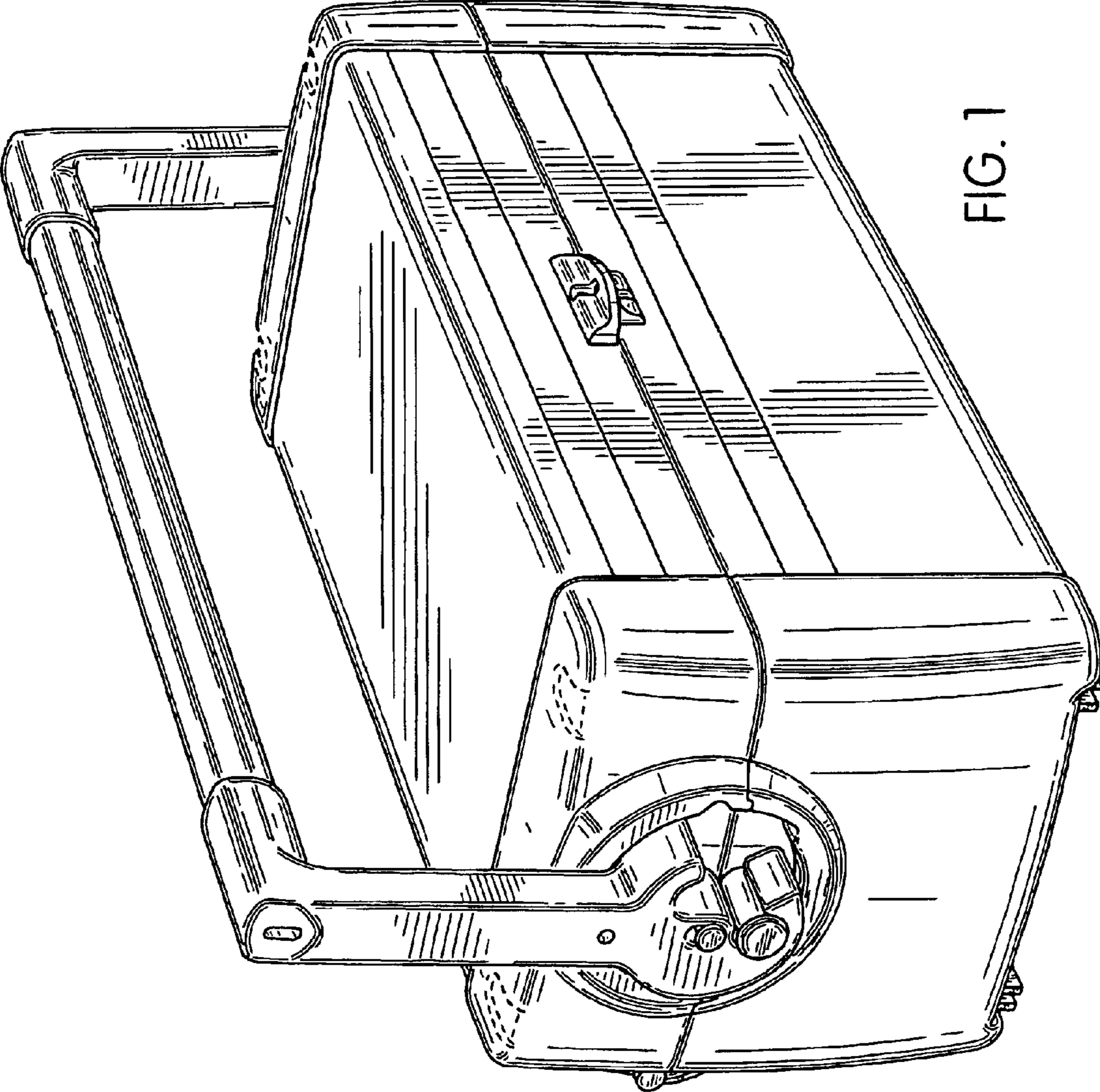


FIG. 1

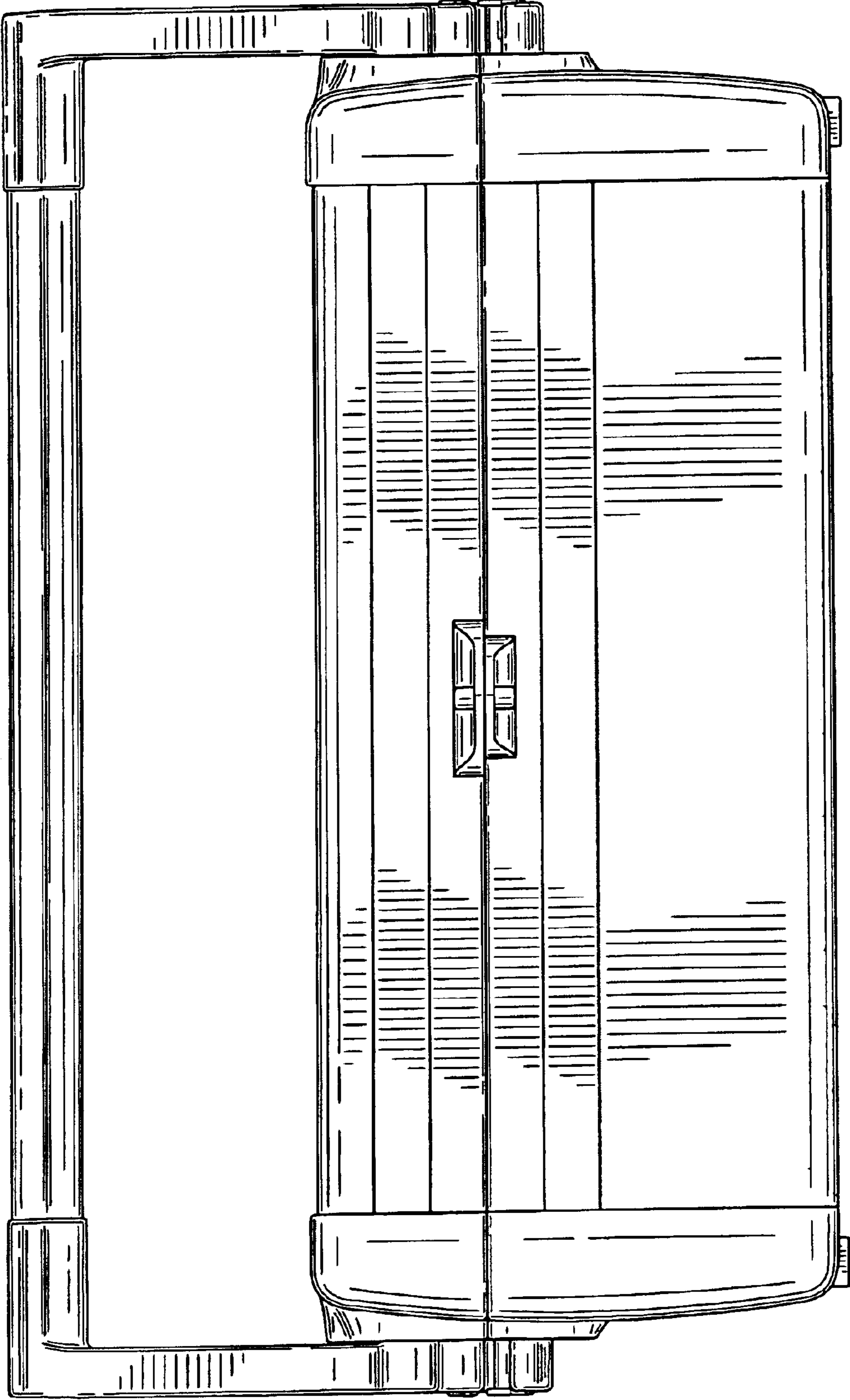


FIG. 2

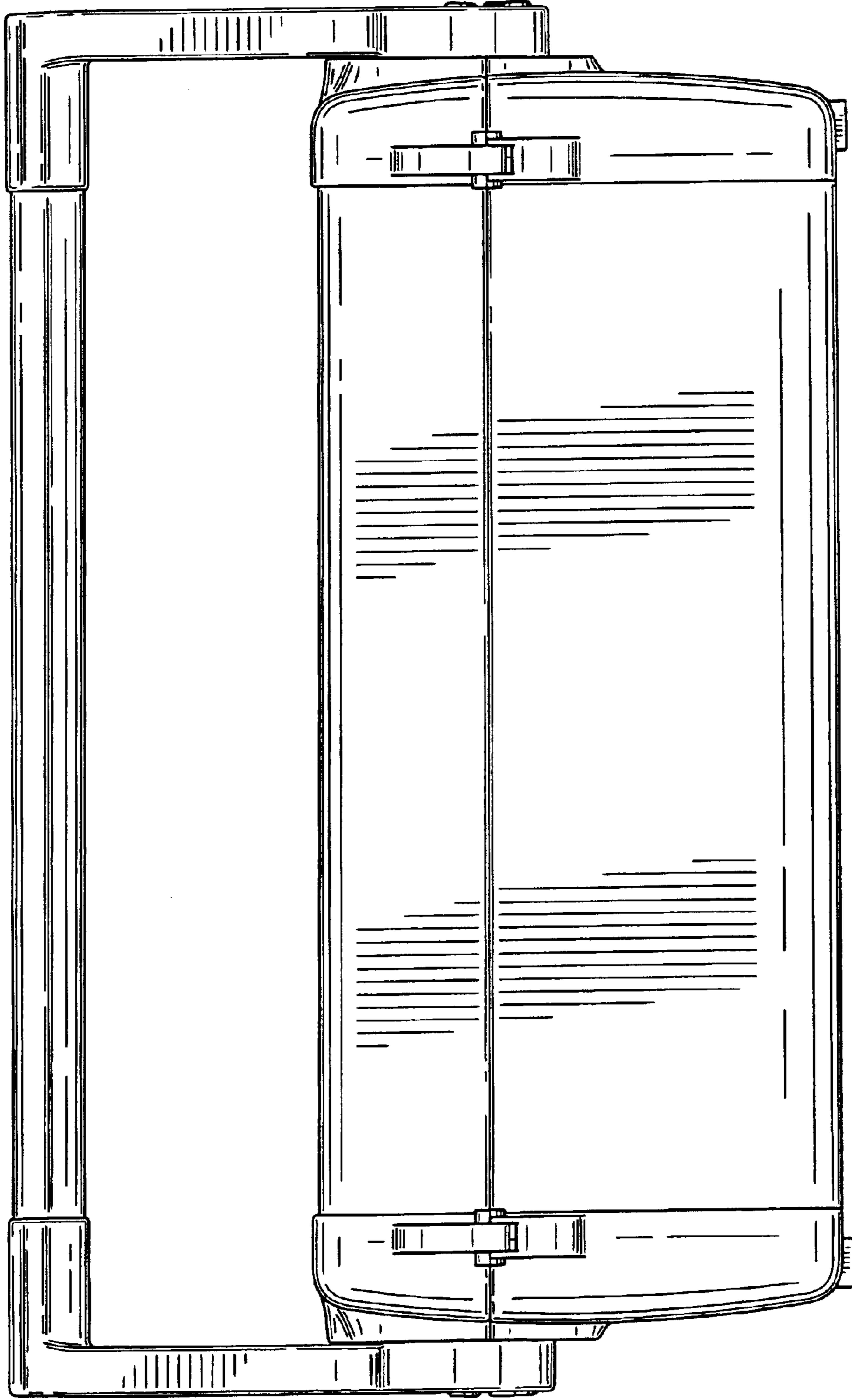


FIG. 3

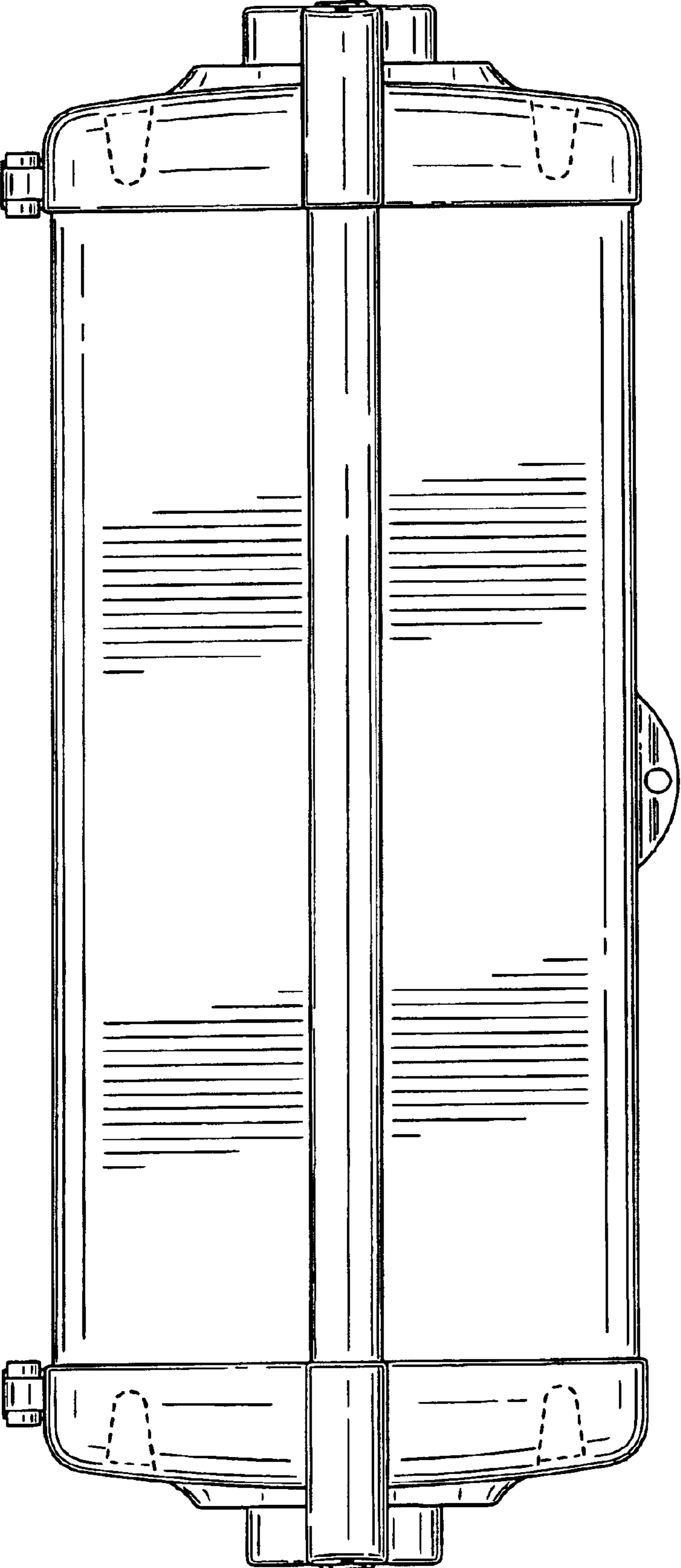


FIG. 4

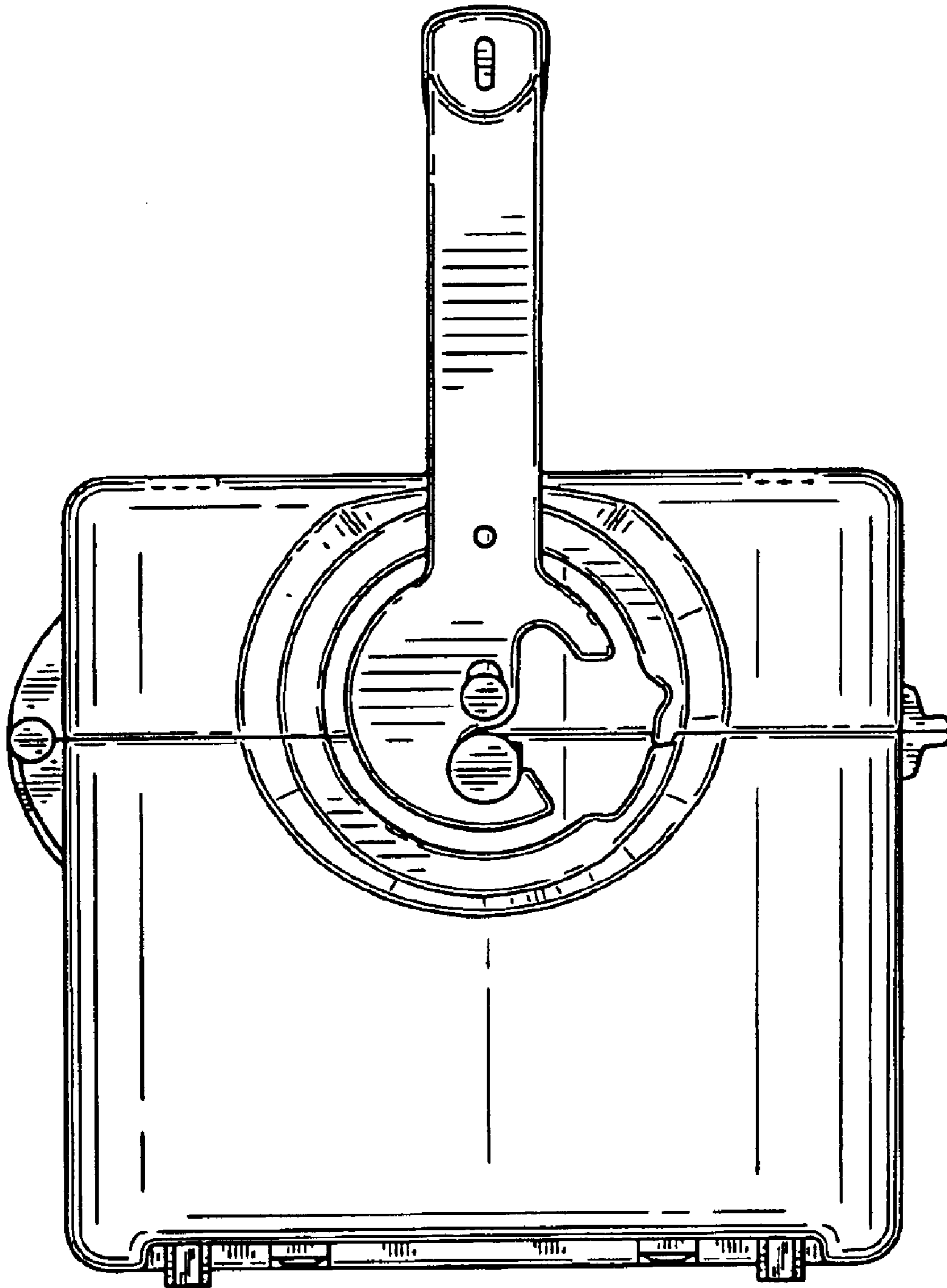


FIG. 5

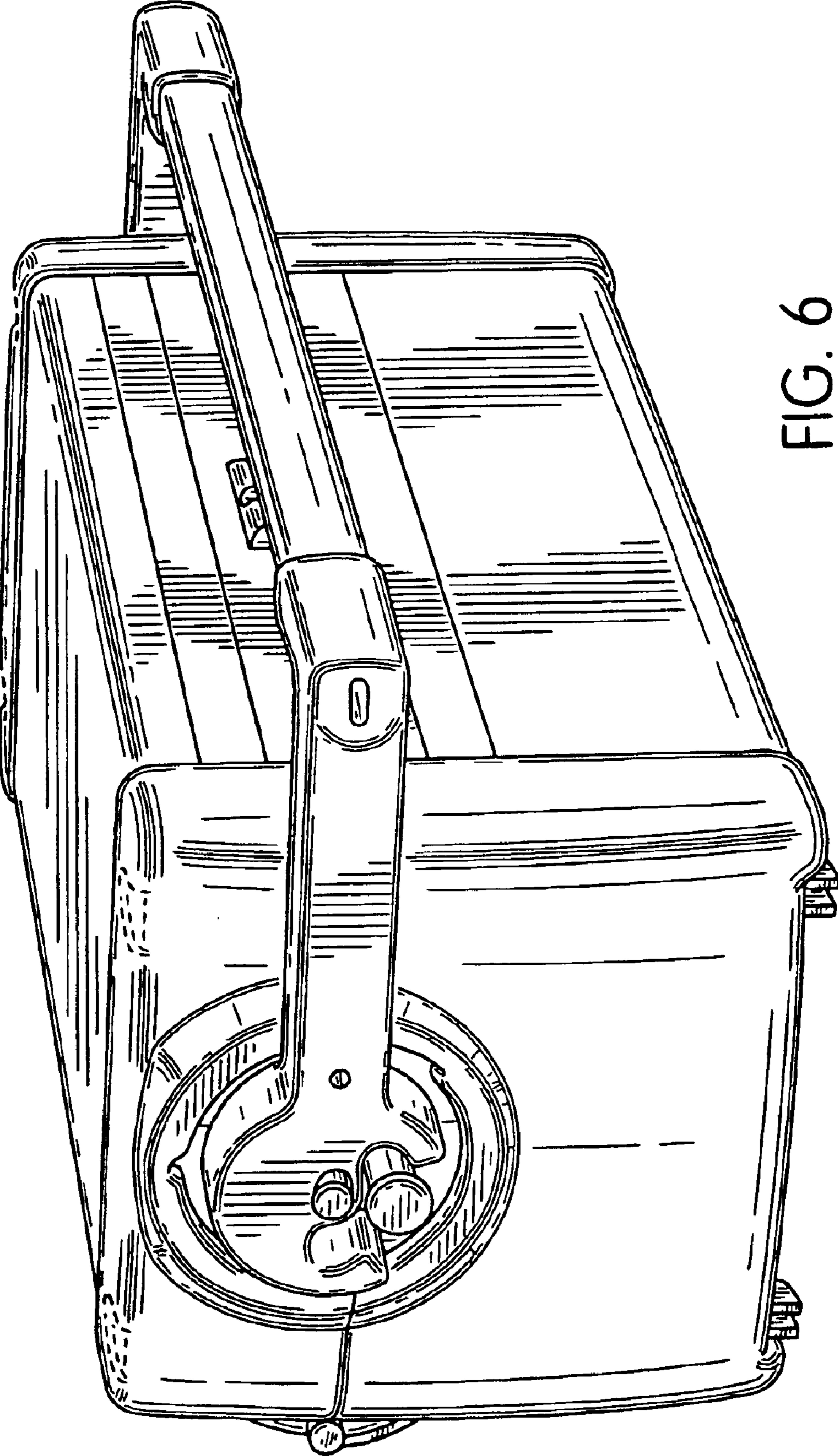


FIG. 6

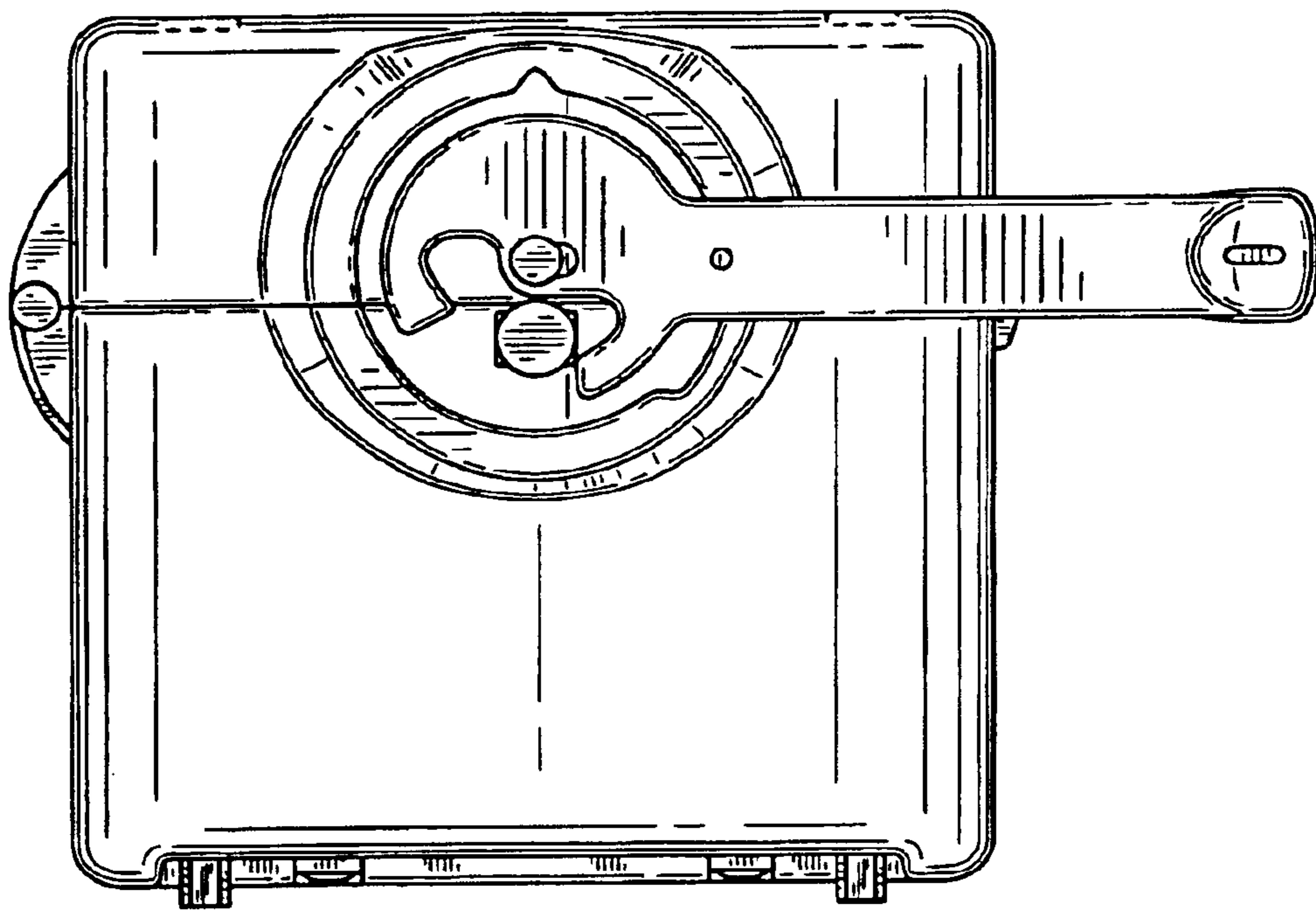


FIG. 7

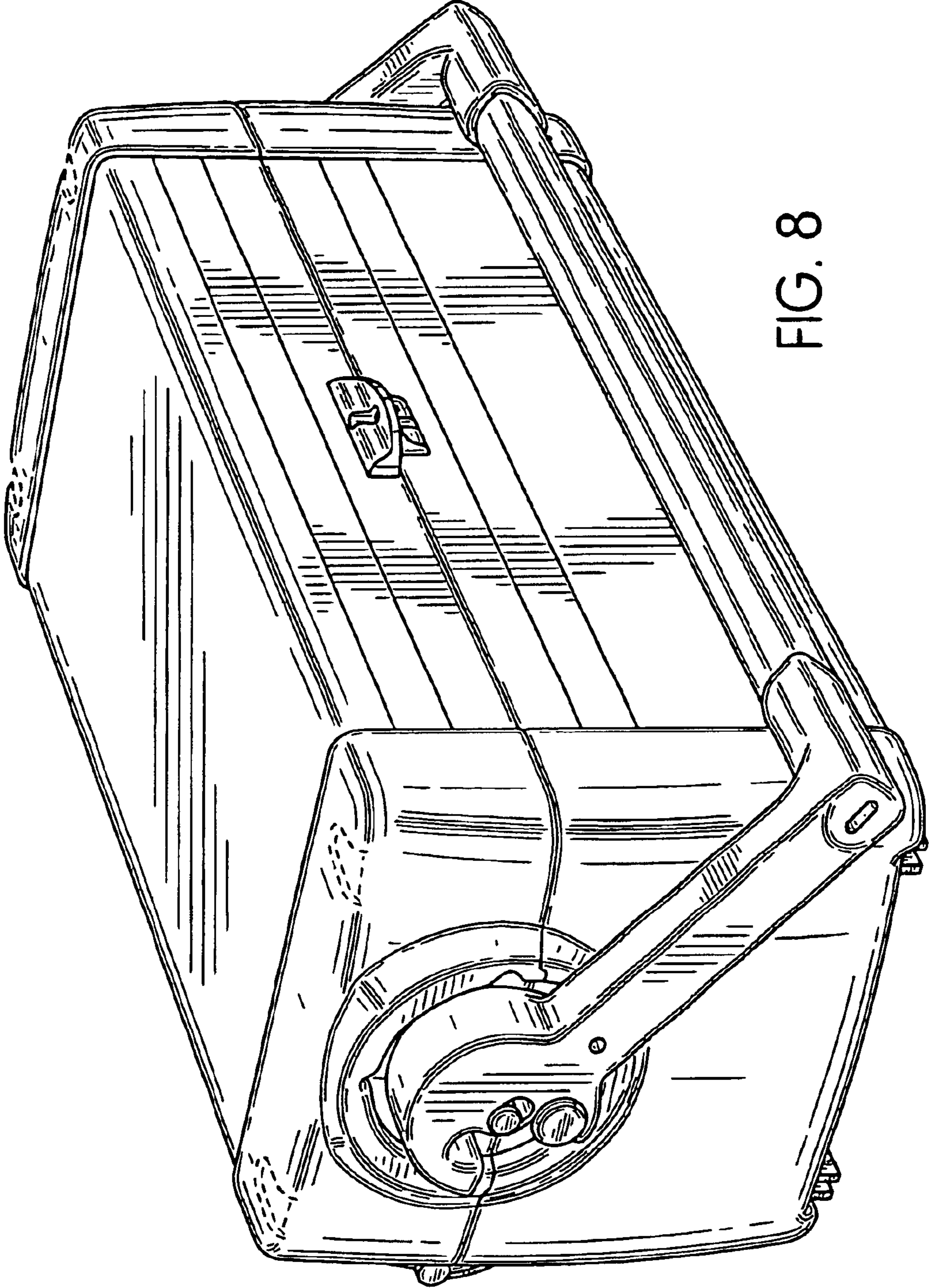


FIG. 8

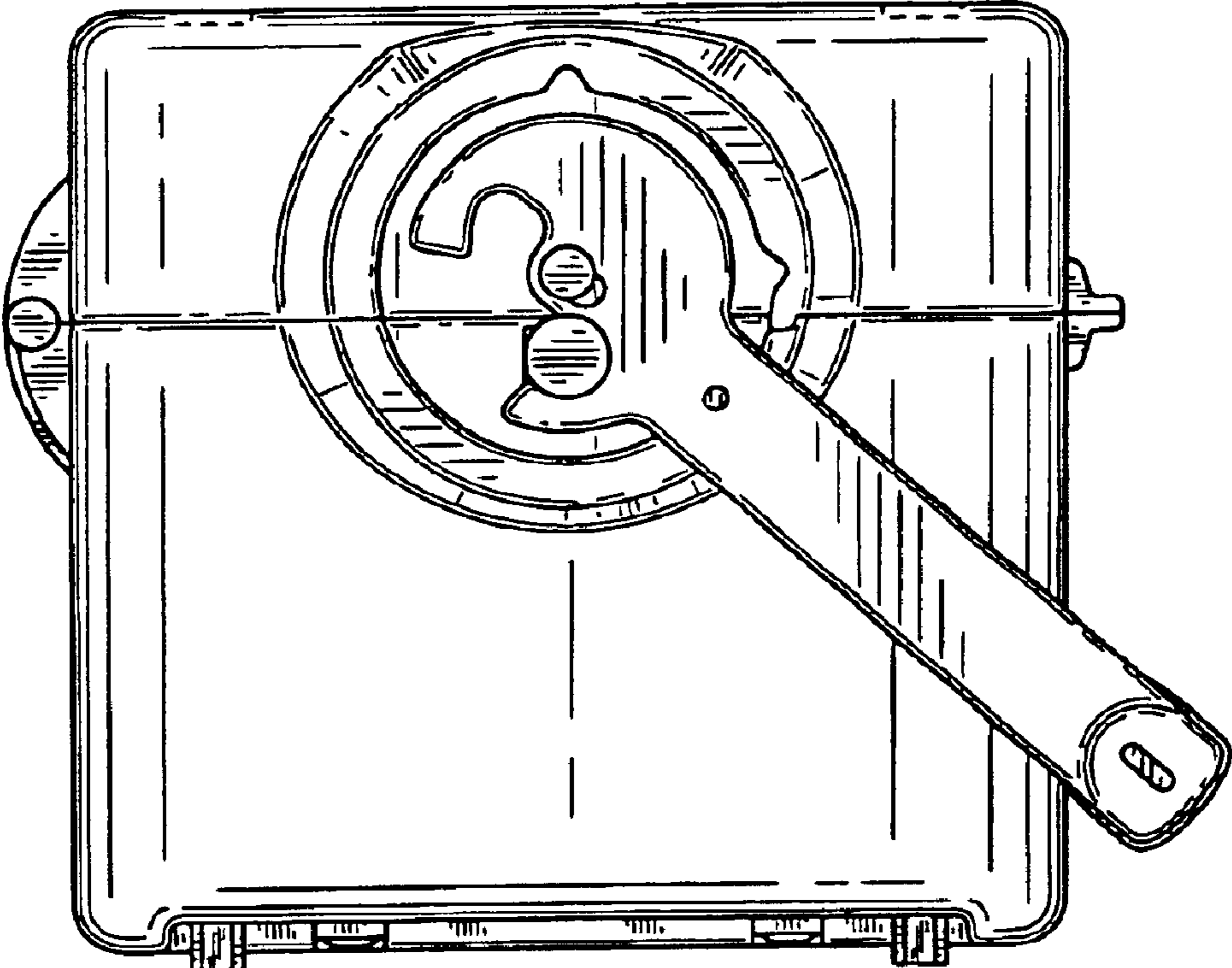


FIG. 9

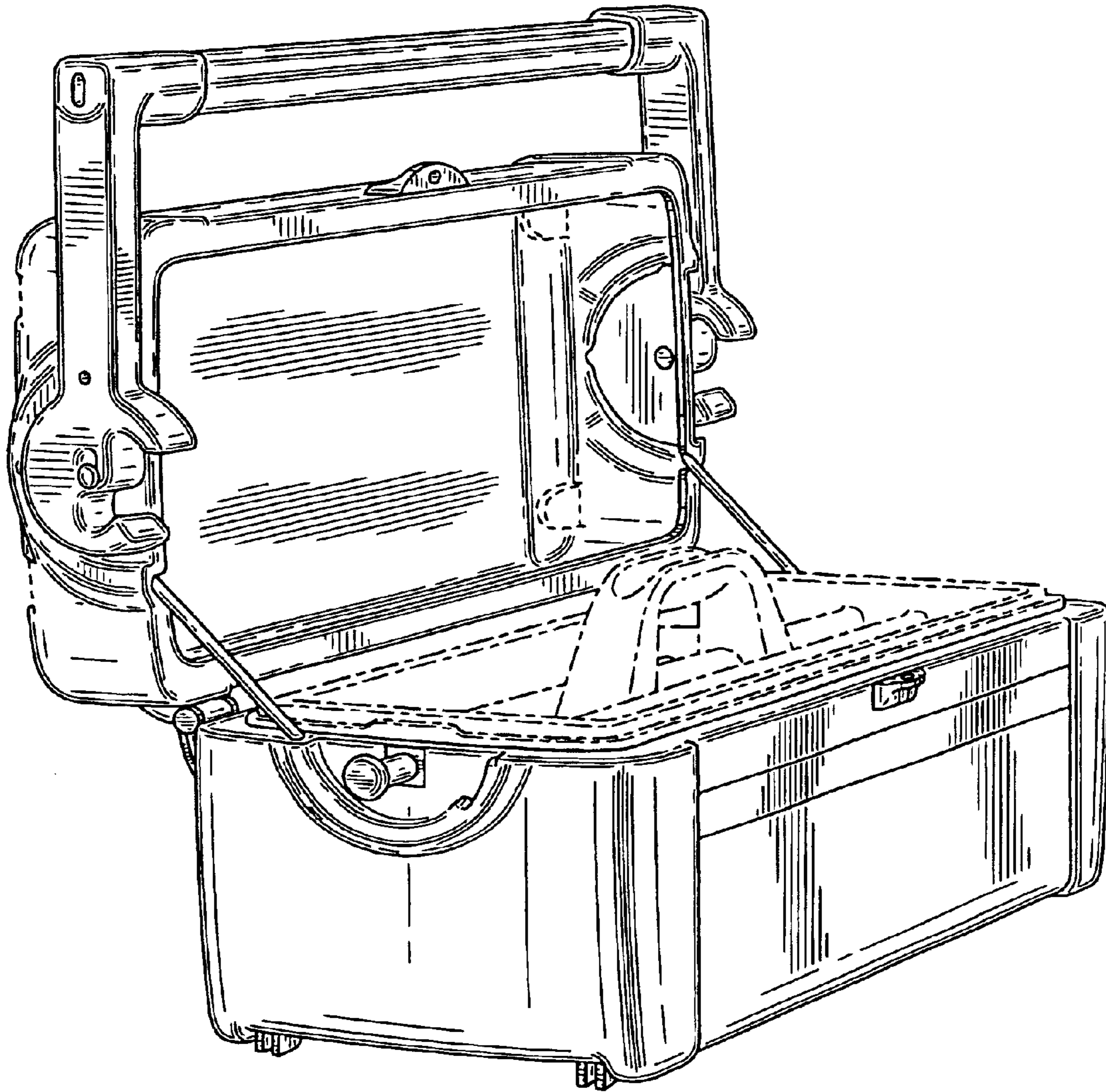


FIG. 10

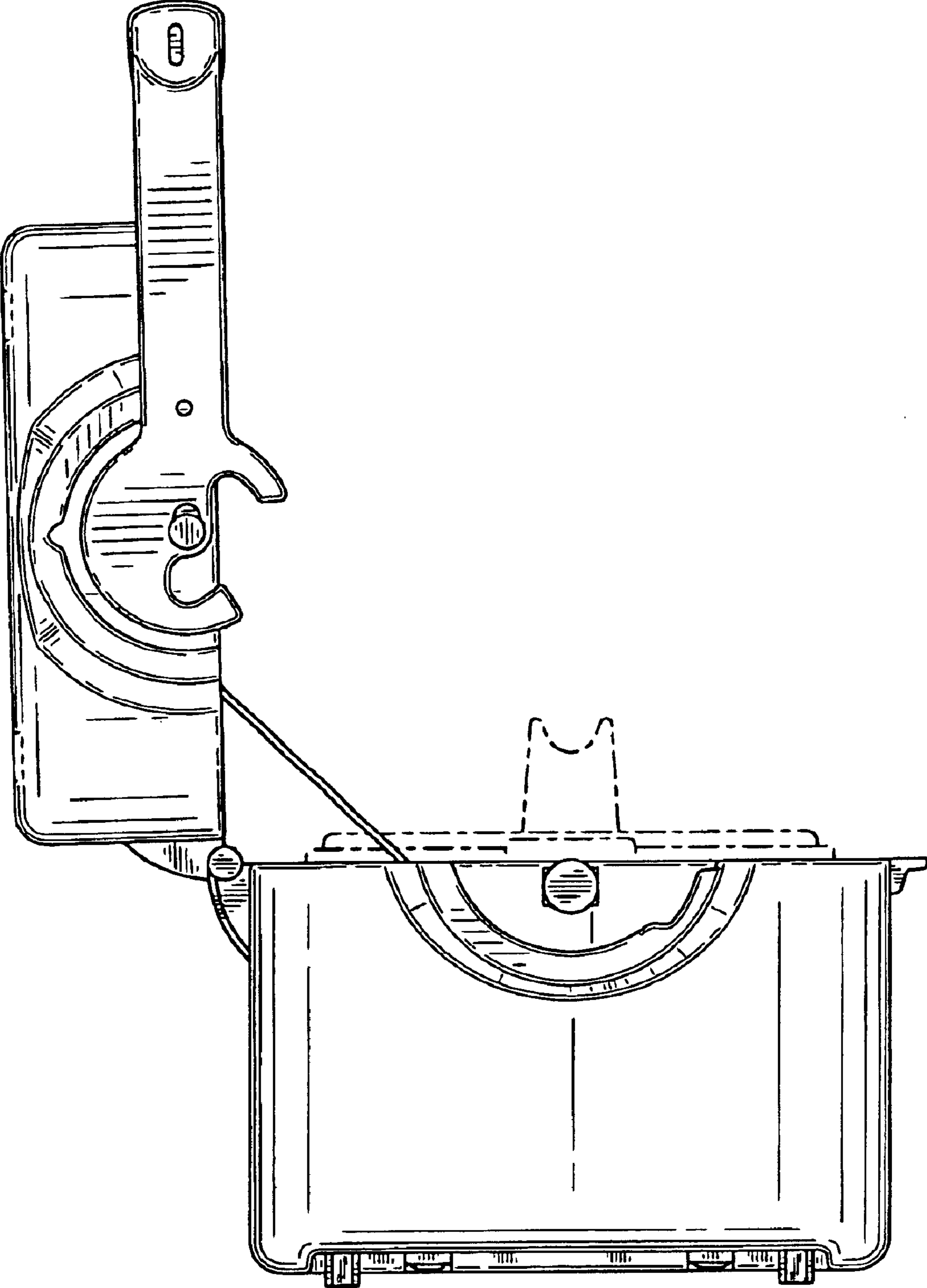


FIG. 11

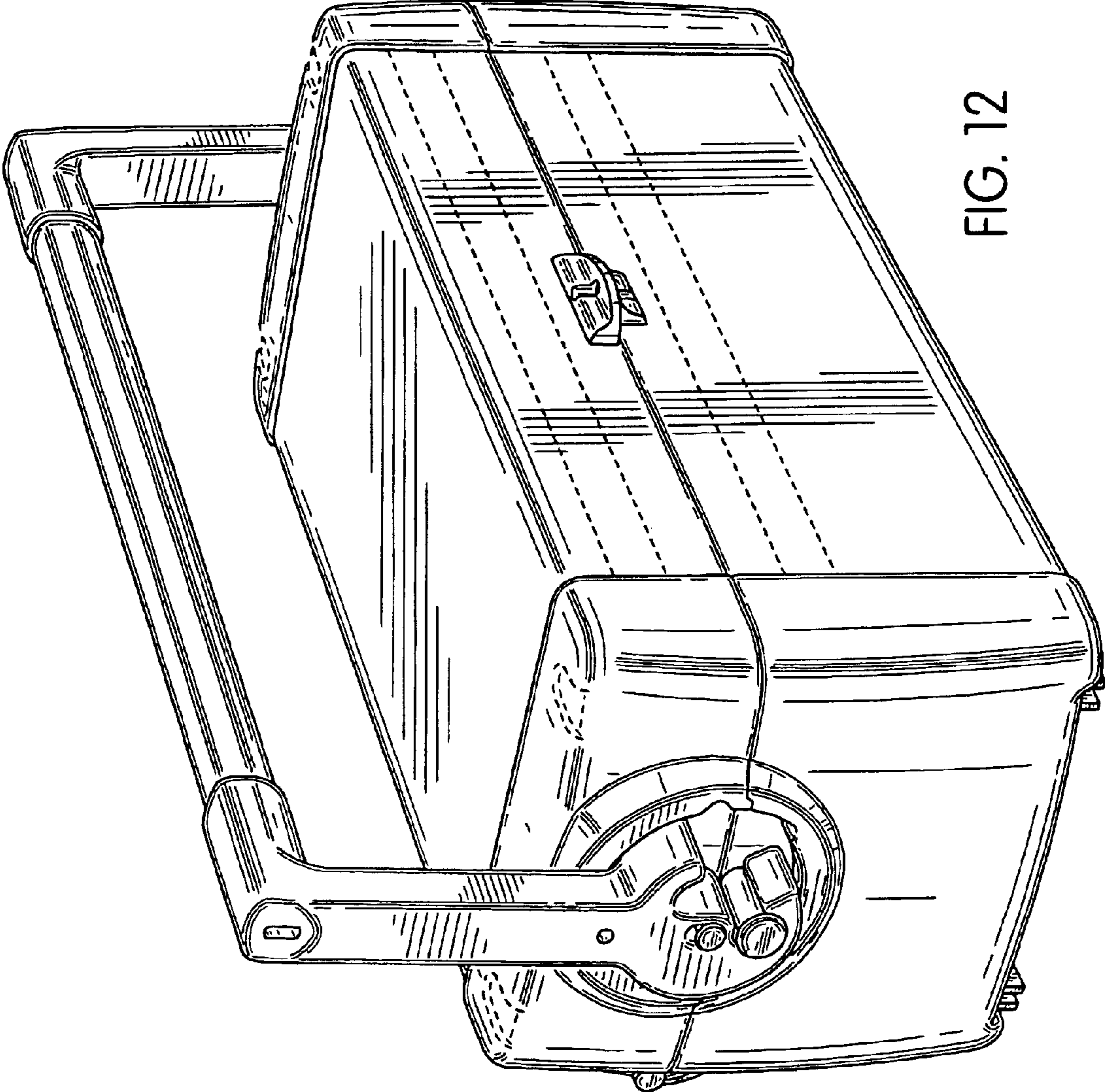


FIG. 12

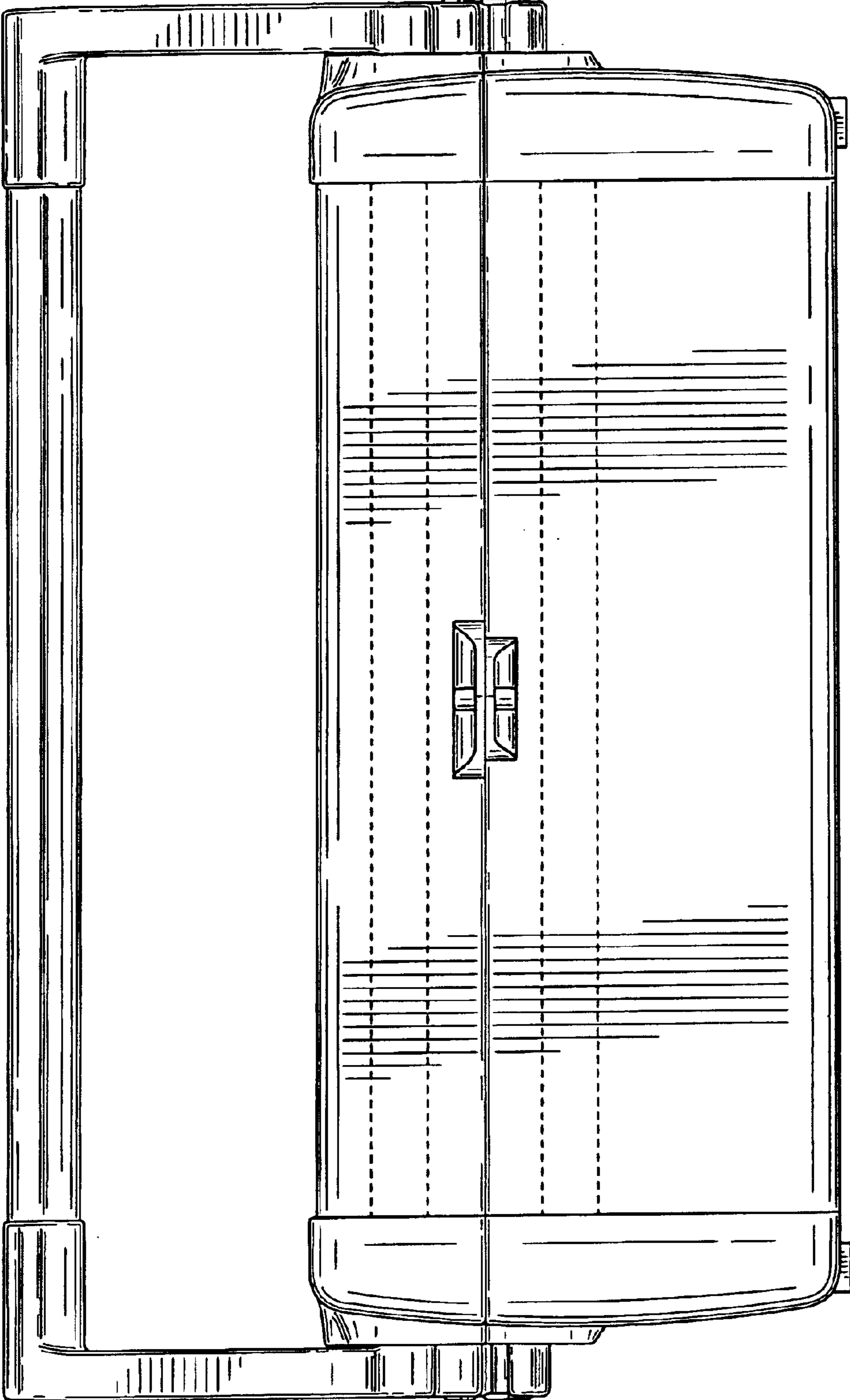


FIG. 13