

US00D496530S1

(12) **United States Design Patent**
Wolf

(10) **Patent No.:** **US D496,530 S**

(45) **Date of Patent:** **** Sep. 28, 2004**

(54) **LEATHER STITCH CONTAINER**

(75) Inventor: **Simon Wolf**, Malibu, CA (US)

(73) Assignee: **Wolf Designs, INC**, Malibu, CA (US)

(**) Term: **14 Years**

(21) Appl. No.: **29/179,630**

(22) Filed: **Apr. 11, 2003**

(51) **LOC (7) Cl.** **03-01**

(52) **U.S. Cl.** **D3/273**

(58) **Field of Search** D3/273, 272, 276,
D3/277, 283; 217/6, 36, 66, 68, 70, 71,
122, 123

(56) **References Cited**

U.S. PATENT DOCUMENTS

2,233,671	A	*	3/1941	Lopes, Jr.	217/65
2,486,709	A	*	11/1949	Friday et al.	217/36
2,597,342	A	*	5/1952	Lang	411/460
3,217,918	A	*	11/1965	Phillips	217/69
3,414,152	A	*	12/1968	Overton, III	217/12 R
3,442,735	A	*	5/1969	Stensaker	156/73.5

D278,502 S * 4/1985 Powell, Jr. D7/605
D319,422 S * 8/1991 Tyner D12/413

* cited by examiner

Primary Examiner—Philip S. Hyder

(74) *Attorney, Agent, or Firm*—Cislo & Thomas, LLP

(57) **CLAIM**

The ornamental design for a leather stitch container, as shown and described herein.

DESCRIPTION

FIG. 1. Is a front perspective view of my leather stitch container;

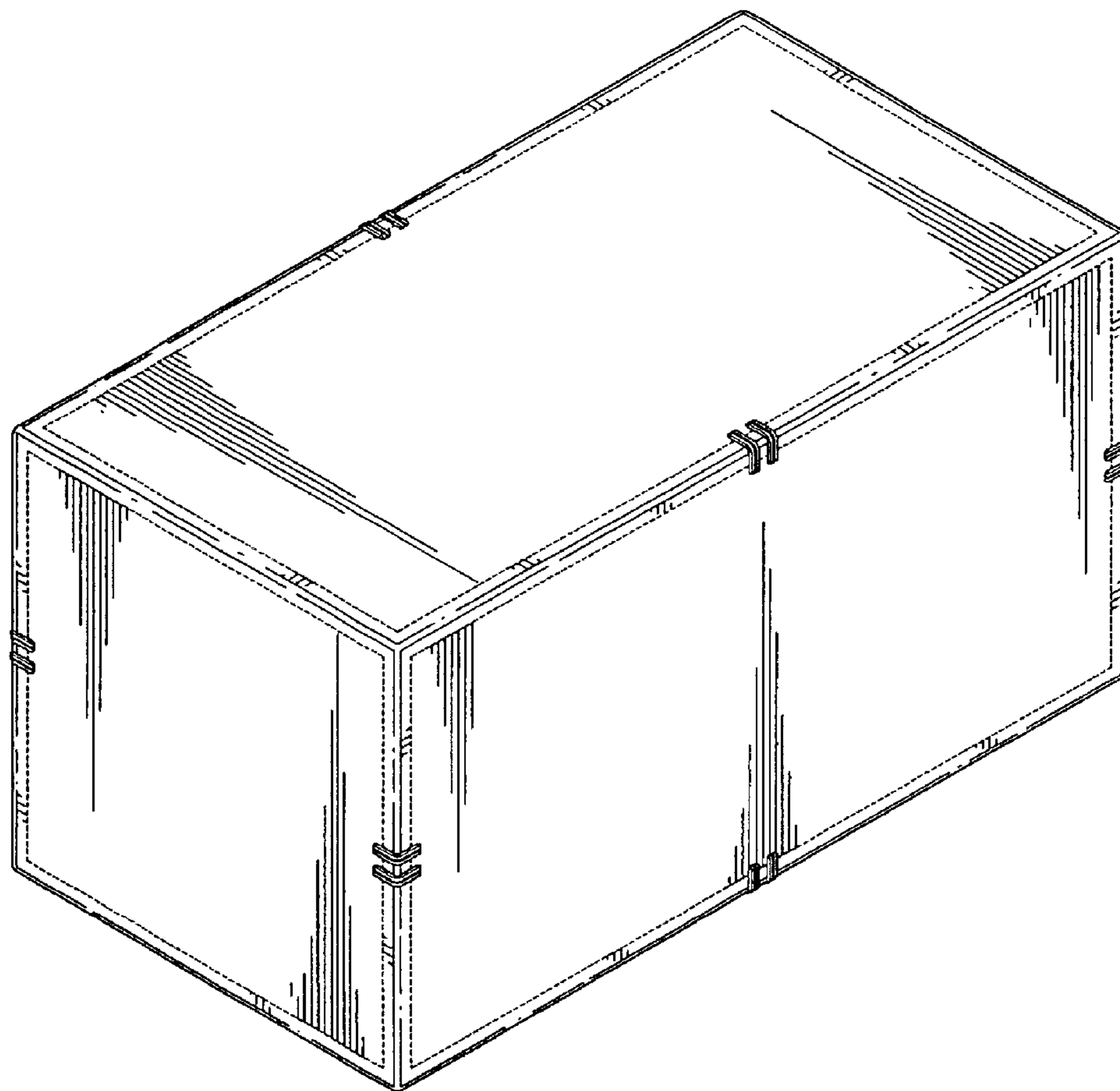
FIG. 2. Is a right side elevational view thereof with the left side being a mirror image thereof;

FIG. 3. Is a top plan view thereof with the bottom being a mirror image thereof; and,

FIG. 4. Is a front elevational view thereof with the back elevational view being a mirror image thereof.

No claim is made to the broken line showing adjacent the edges and the same is merely intended to indicate stitching.

1 Claim, 2 Drawing Sheets



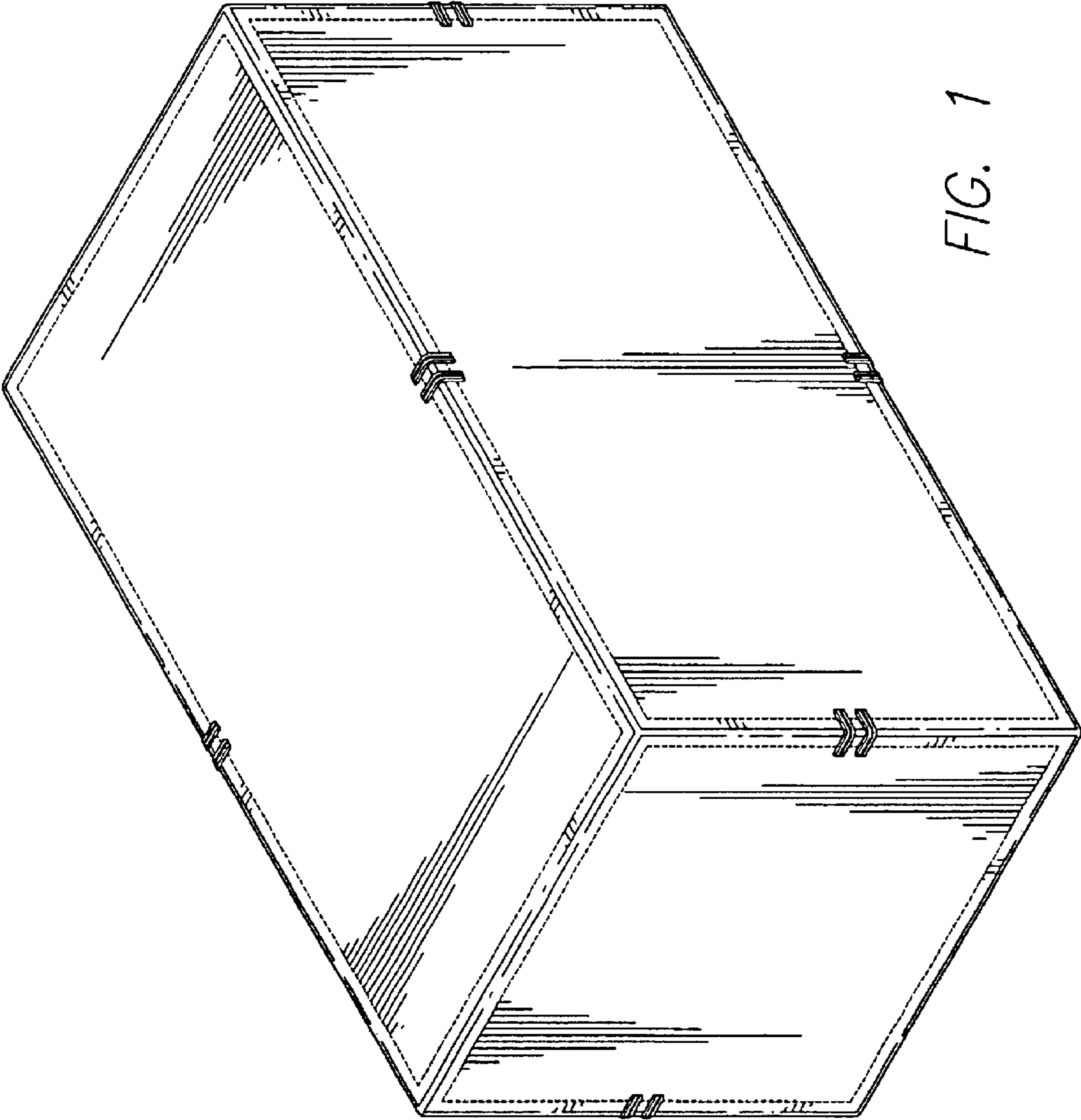


FIG. 2

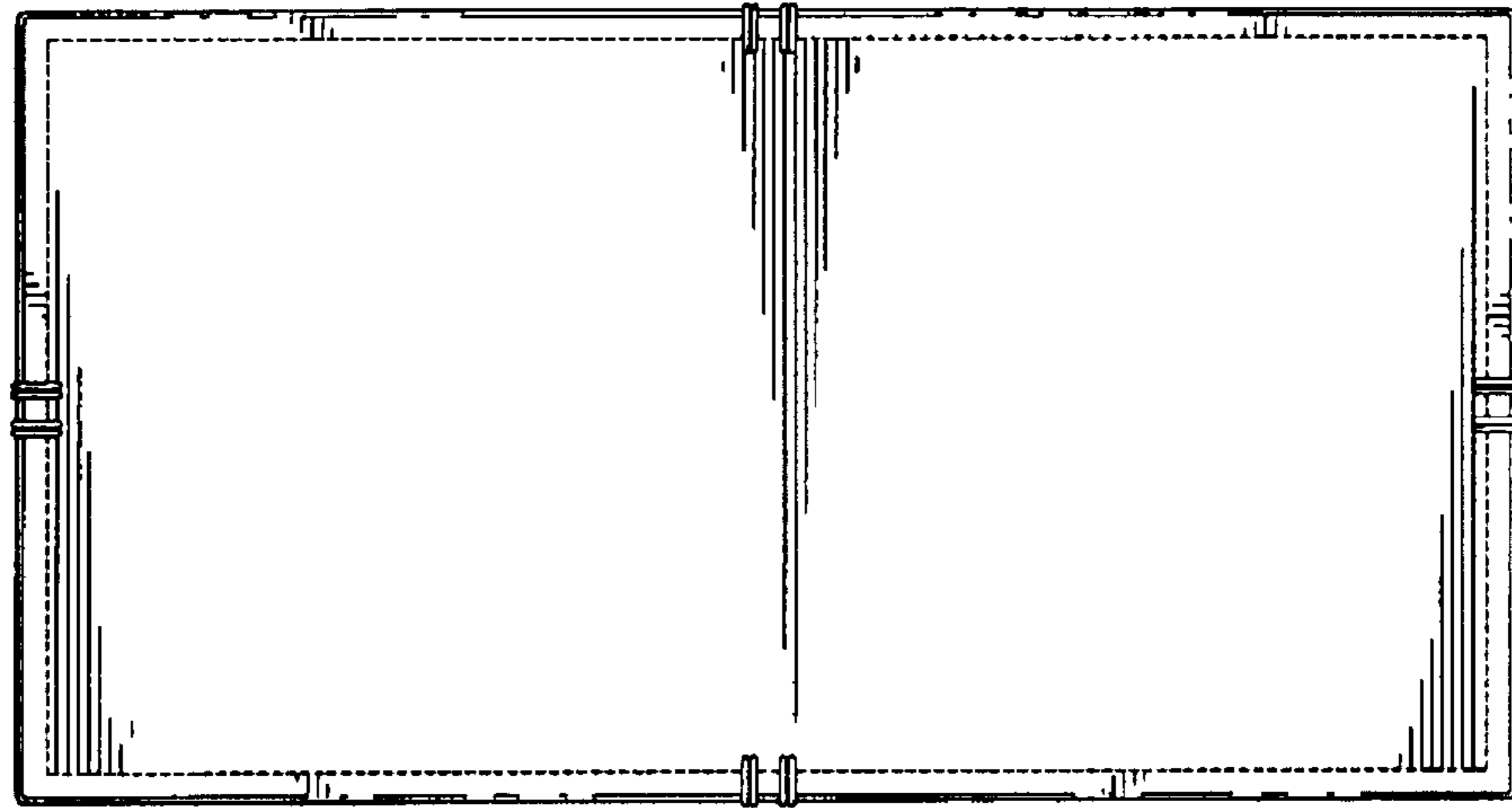


FIG. 3

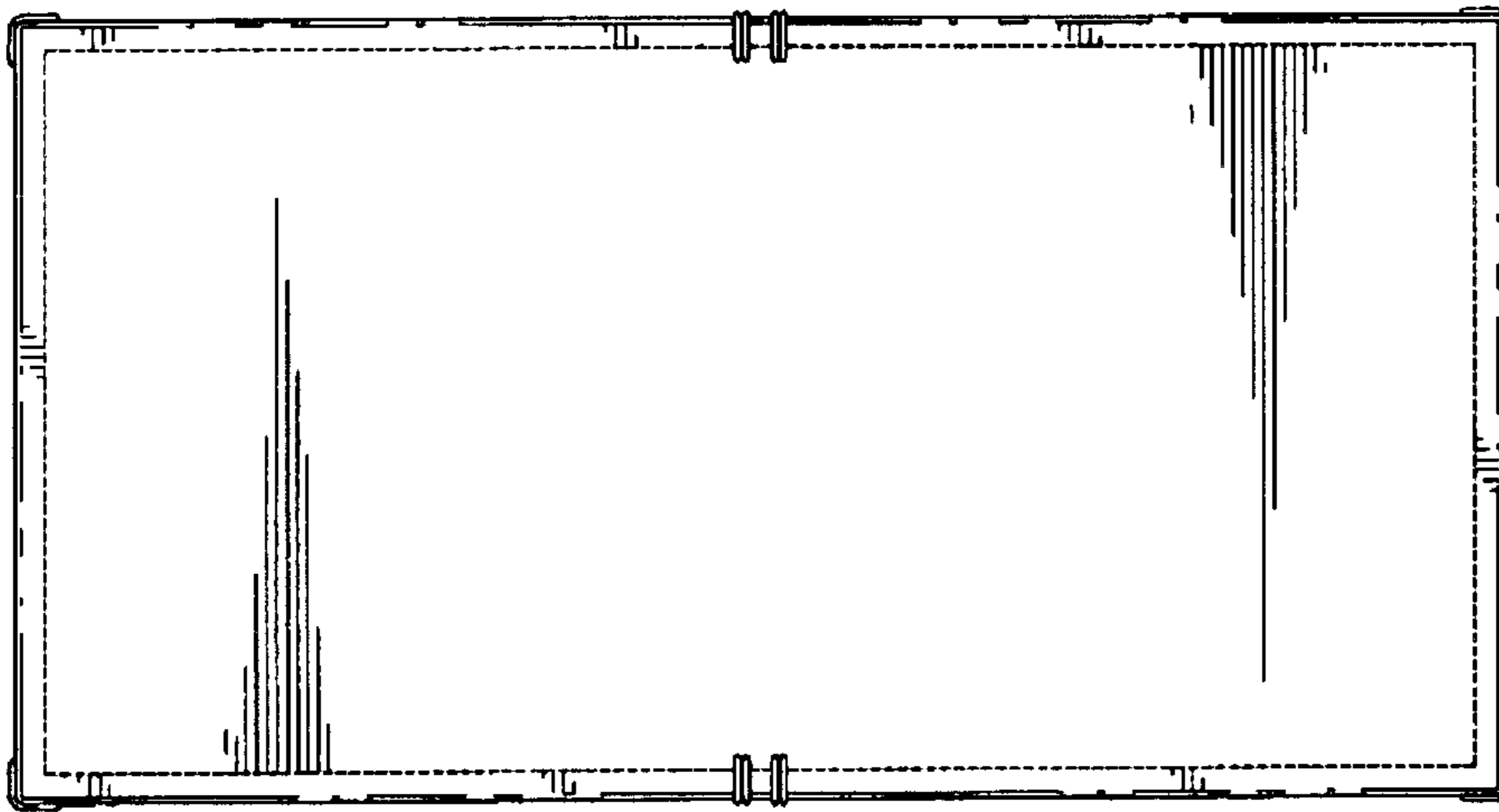


FIG. 4

