

US00D496520S1

(12) **United States Design Patent**
Childress

(10) **Patent No.:** **US D496,520 S**

(45) **Date of Patent:** **** Sep. 28, 2004**

(54) **CURVED BODY OF CHEESE MADE OF OVAL-SHAPED PRECUT SLICES OF CHEESE**

Primary Examiner—Pamela Burgess
(74) *Attorney, Agent, or Firm*—Brinks Hofer Gilson & Lione

(75) **Inventor:** **Dennis J. Childress**, Monett, MO (US)

(57) **CLAIM**

(73) **Assignee:** **Schreiber Foods, Inc.**, Green Bay, WI (US)

The ornamental design for a curved body of cheese made of oval-shaped precut slices of cheese, as shown and described.

(**) **Term:** **14 Years**

DESCRIPTION

(21) **Appl. No.:** **29/182,184**

FIG. 1 is a curved body of cheese made of oval-shaped precut slices of cheese showing my new design;

(22) **Filed:** **May 21, 2003**

FIG. 2 is a front elevational view thereof;

(51) **LOC (7) Cl.** **01-01**

FIG. 3 is a first side elevational view thereof;

(52) **U.S. Cl.** **D1/121; D1/199; D1/130**

FIG. 4 is a rear elevational view thereof;

(58) **Field of Search** D1/121, 199, 127, D1/128; 426/130, 115, 144, 106, 129; 206/449, 499, 815, 555; 425/224; D21/386, 390

FIG. 5 is a second side elevational view thereof;

(56) **References Cited**

FIG. 6 is a top plan view thereof;

U.S. PATENT DOCUMENTS

FIG. 7 is a bottom plan view thereof;

2,643,414	A	*	6/1953	Bolton	D1/199
3,410,691	A	*	11/1968	Stanley	D1/199
3,410,698	A	*	11/1968	Sosin	426/106
4,046,923	A		9/1977	Meng et al.		
4,278,693	A	*	7/1981	Dingethal et al.	426/129
4,427,705	A	*	1/1984	Wyslotsky et al.	426/106
4,866,911	A	*	9/1989	Grindrod et al.	426/130
5,945,145	A	*	8/1999	Narsutis et al.	426/123

FIG. 8 is a second embodiment of a curved body of cheese made of oval-shaped precut slices of cheese showing my new design;

OTHER PUBLICATIONS

FIG. 9 is a third embodiment of a curved body of cheese made of oval-shaped precut slices of cheese showing my new design; and,

A picture of an elongated body of cheese comprising offset ribbons of cheese.

FIG. 10 is a fourth embodiment of a curved body of cheese made of oval-shaped precut slices of cheese showing my new design.

* cited by examiner

1 Claim, 6 Drawing Sheets

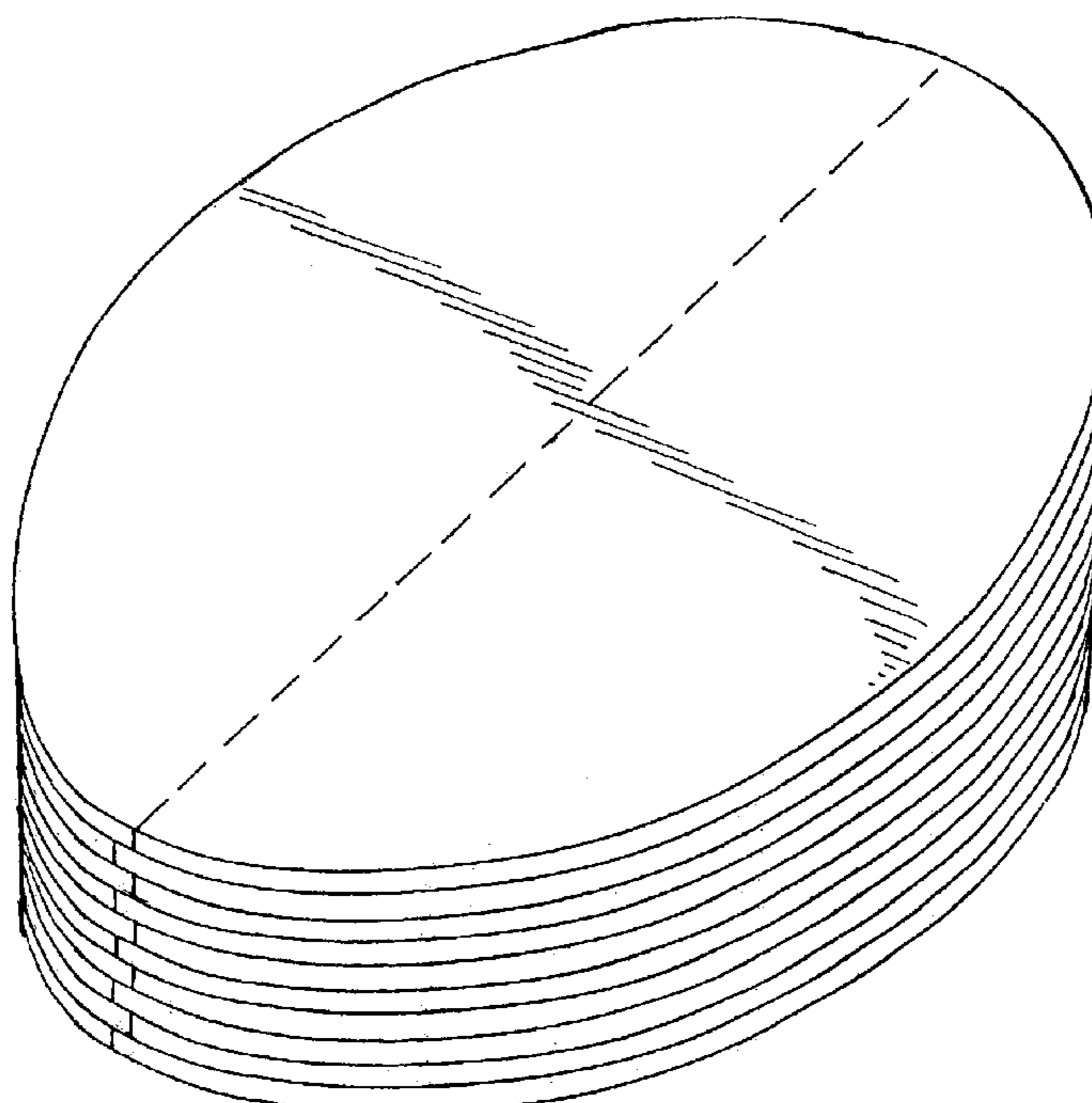


FIG. 1

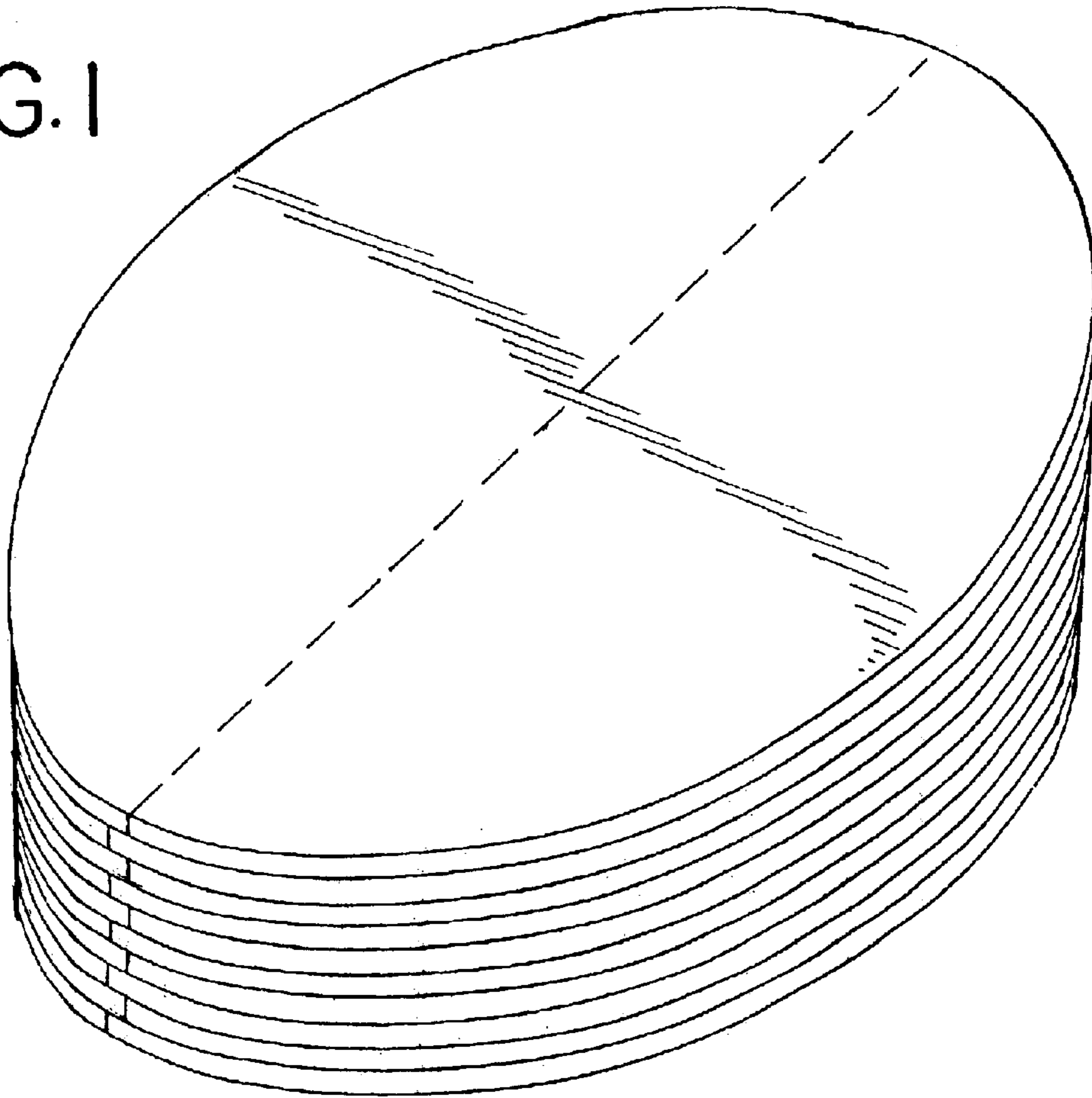


FIG. 2

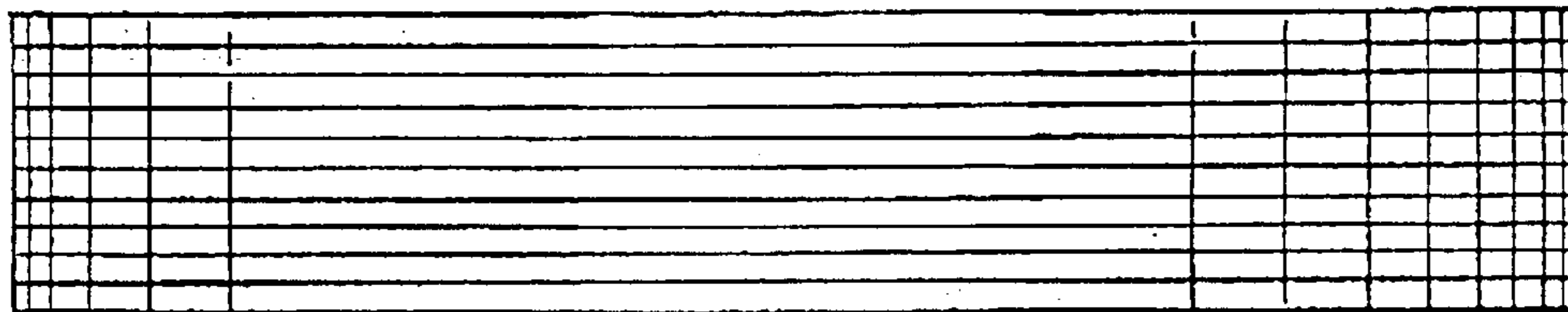


FIG.3

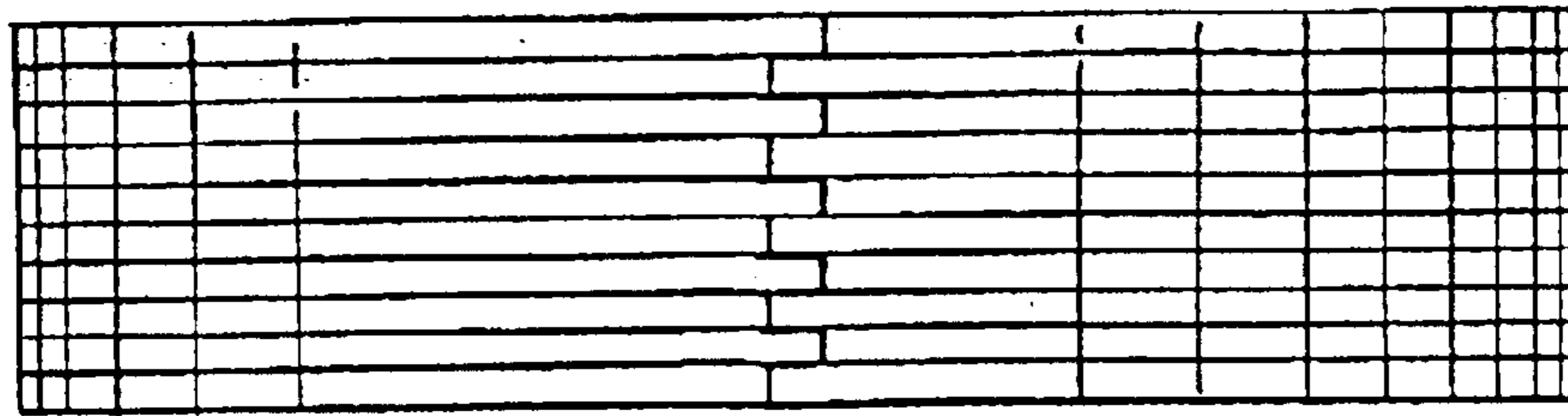


FIG.4

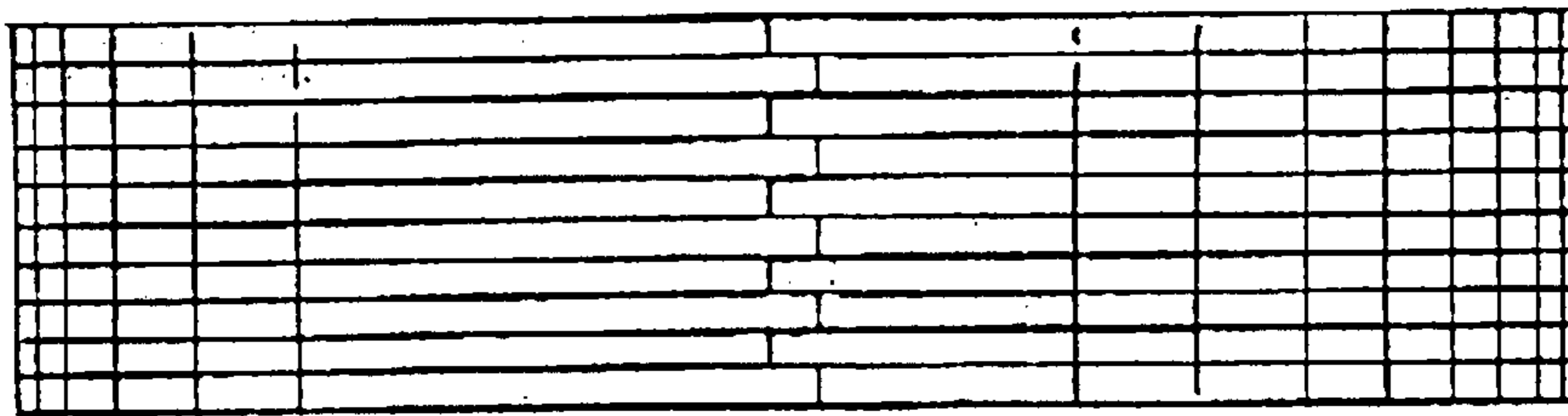


FIG.5

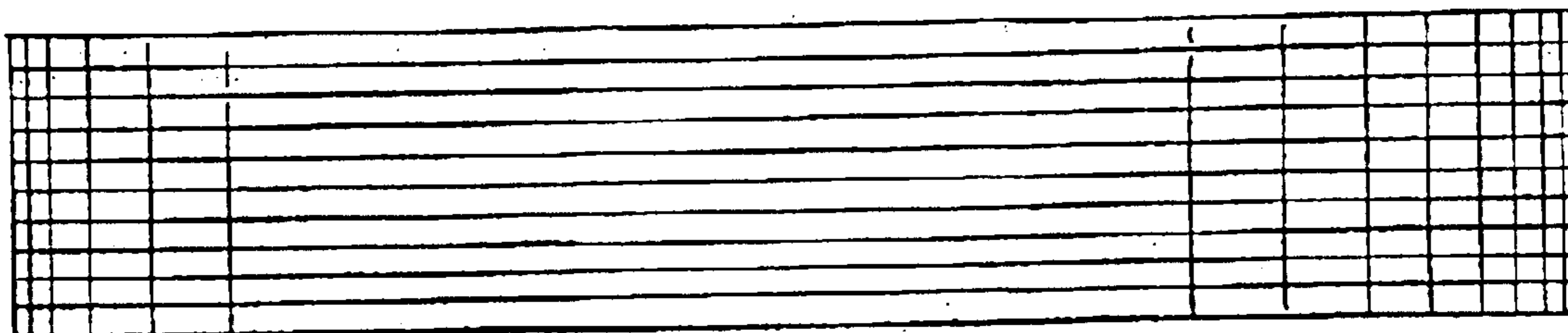


FIG.6

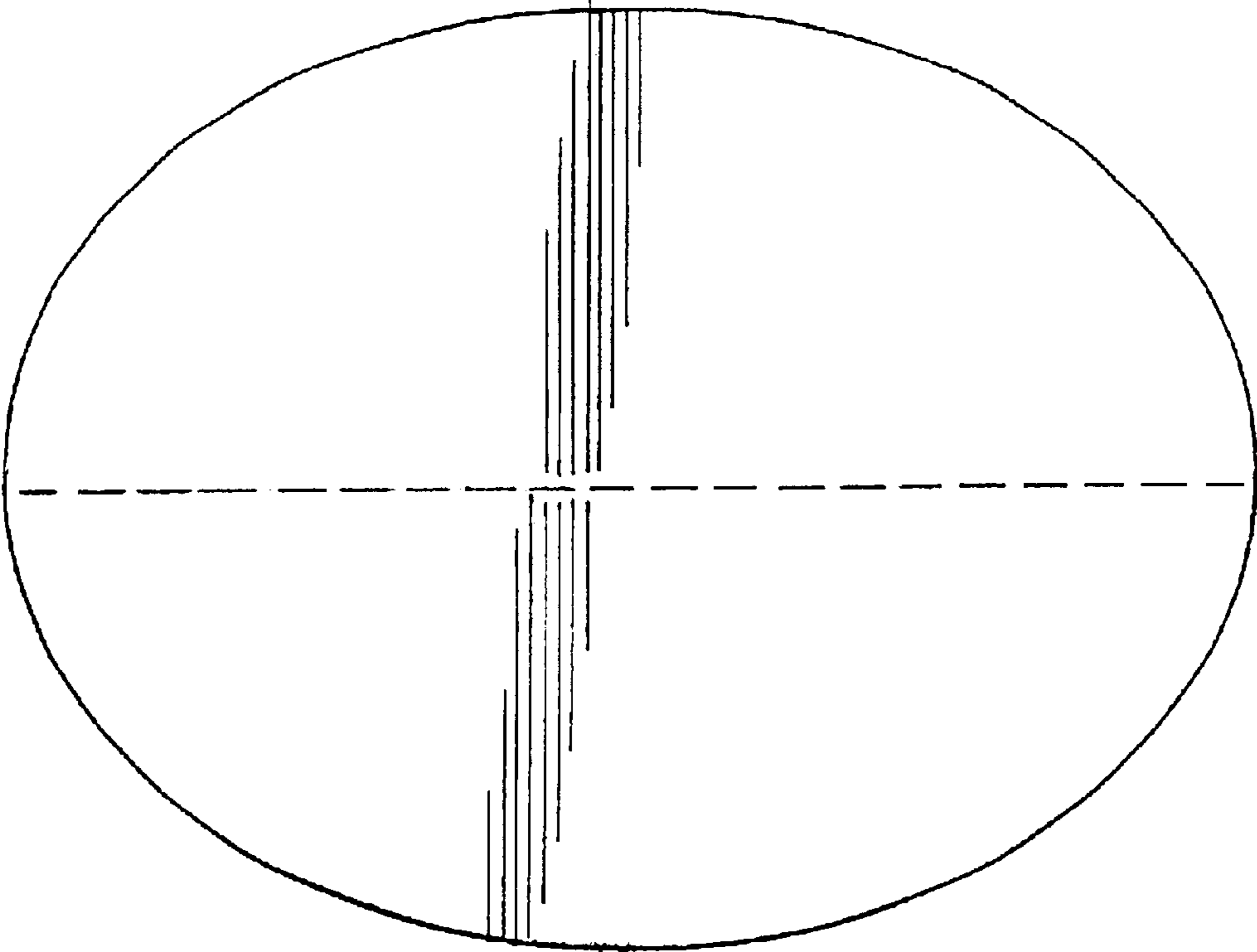


FIG.7

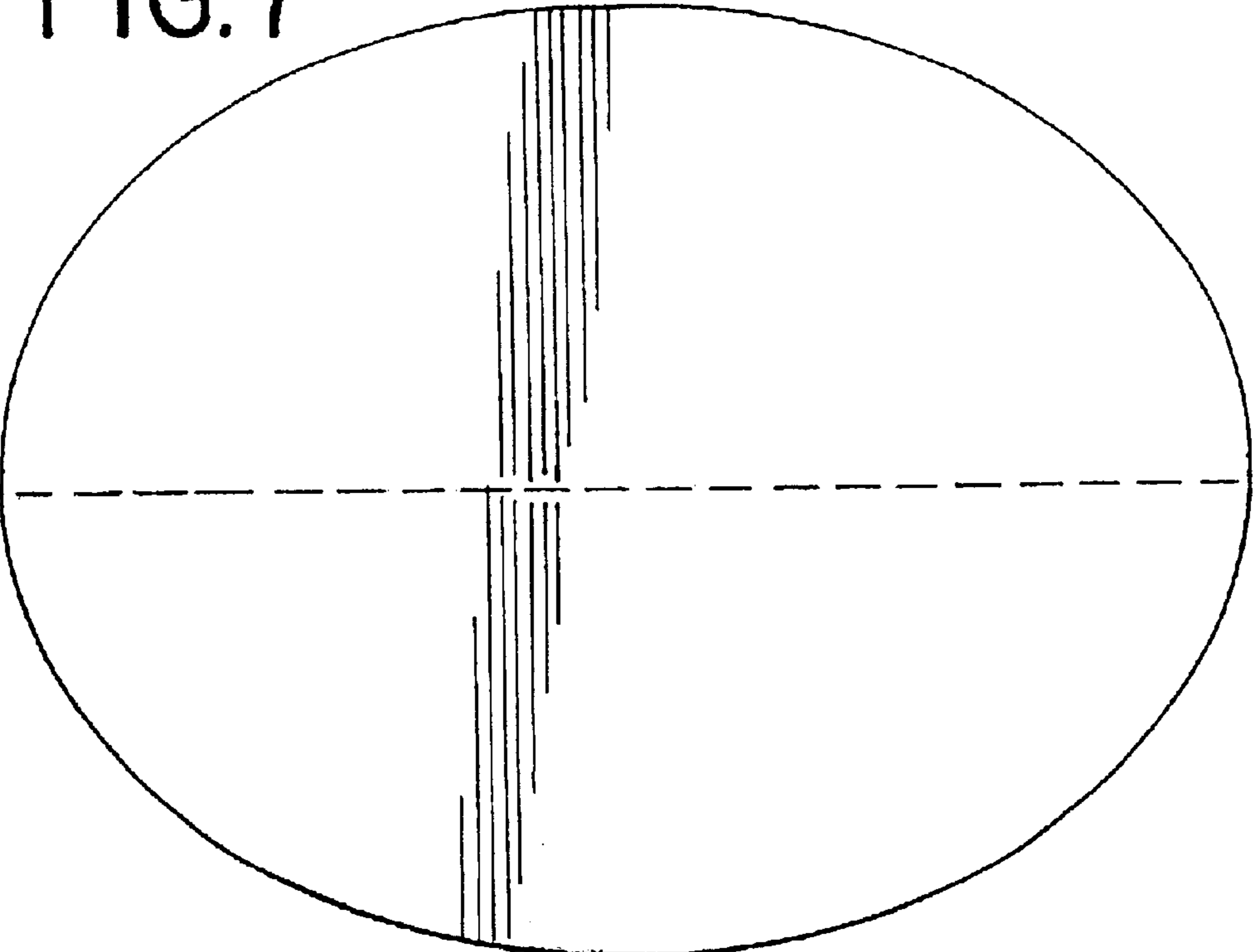


FIG. 8

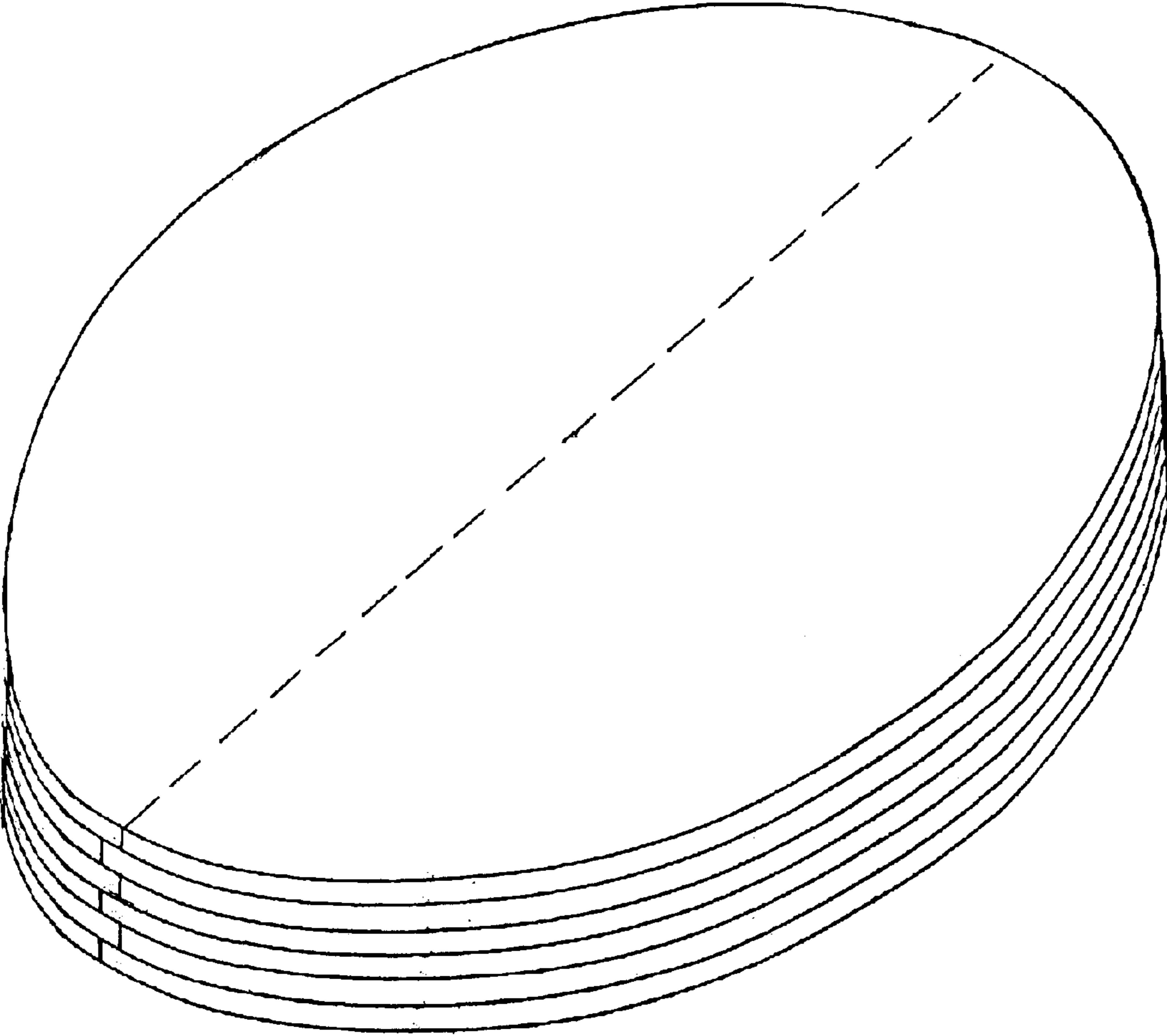


FIG. 9

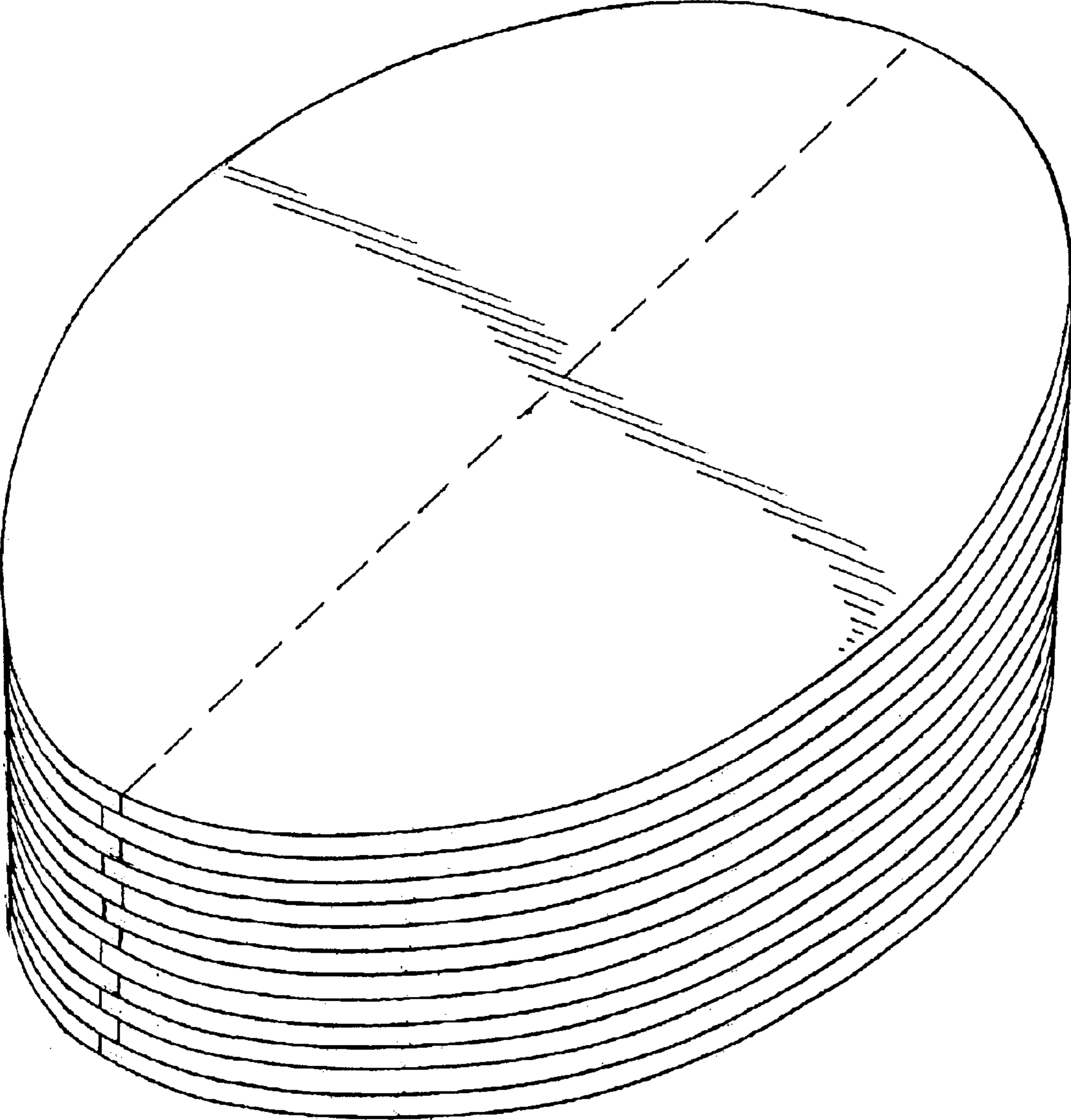


FIG. 10

