

US00D496508S1

(12) **United States Design Patent**
Paliobeis et al.

(10) **Patent No.:** **US D496,508 S**
(45) **Date of Patent:** **** Sep. 21, 2004**

(54) **PORTION OF VACUUM CLEANER HOUSING**

(75) Inventors: **Steven J. Paliobeis**, Painesville, OH (US); **Cynthia M. Caffoe**, Cleveland Heights, OH (US); **Jeffrey M. Kalman**, Cleveland Heights, OH (US); **Laurie M. Heiser**, Sagamore Hills, OH (US)

(73) Assignee: **Royal Appliance Mfg. Co.**, Glenwillow, OH (US)

(**) Term: **14 Years**

(21) Appl. No.: **29/180,039**

(22) Filed: **Apr. 17, 2003**

Related U.S. Application Data

(62) Division of application No. 29/153,798, filed on Jan. 11, 2002.

(51) **LOC (7) Cl.** **15-05**

(52) **U.S. Cl.** **D32/31**

(58) **Field of Search** D32/21-22, 31-34, D32/25; 15/347, 350-353, 320-322, 361, 377, 415.1-422, 422.1, 410, 383, 329, 412, 337, 419, 429, 459.1, 503, DIG. 3

(56) **References Cited**

U.S. PATENT DOCUMENTS

D316,317 S * 4/1991 Berfield D32/22
D358,236 S 5/1995 Kopco et al.

D407,875 S * 4/1999 Burchard et al. D32/31
D418,265 S 12/1999 Farone et al.
D429,044 S 8/2000 Saunders et al.
D430,961 S * 9/2000 Bobrosky et al. D32/22
D436,699 S * 1/2001 Makihara et al. D32/22
D439,381 S 3/2001 Saunders et al.
6,391,095 B1 * 5/2002 Conrad et al. 95/271
D462,814 S * 9/2002 Sugimoto D32/22
D463,078 S * 9/2002 Harada D32/22
D468,069 S * 12/2002 Roberts et al. D32/31
6,536,072 B2 * 3/2003 Thur et al. 15/323
D475,491 S * 6/2003 Kalman et al. D32/31
D475,822 S * 6/2003 Kalman et al. D32/31

* cited by examiner

Primary Examiner—Ruth McInroy

(74) *Attorney, Agent, or Firm*—Fay, Sharpe, Fagan, Minnich & McKee, LLP

(57) **CLAIM**

The ornamental design for portion of vacuum cleaner housing, as shown and described.

DESCRIPTION

FIG. 1 is a perspective view of a portion of a vacuum cleaner housing showing our new design; FIG. 2 is a left side elevational view thereof; FIG. 3 is a front elevational view thereof; and, FIG. 4 is a right side elevational view thereof. The components shown in broken lines in FIGS. 1-4 form no part of the claimed design.

1 Claim, 2 Drawing Sheets

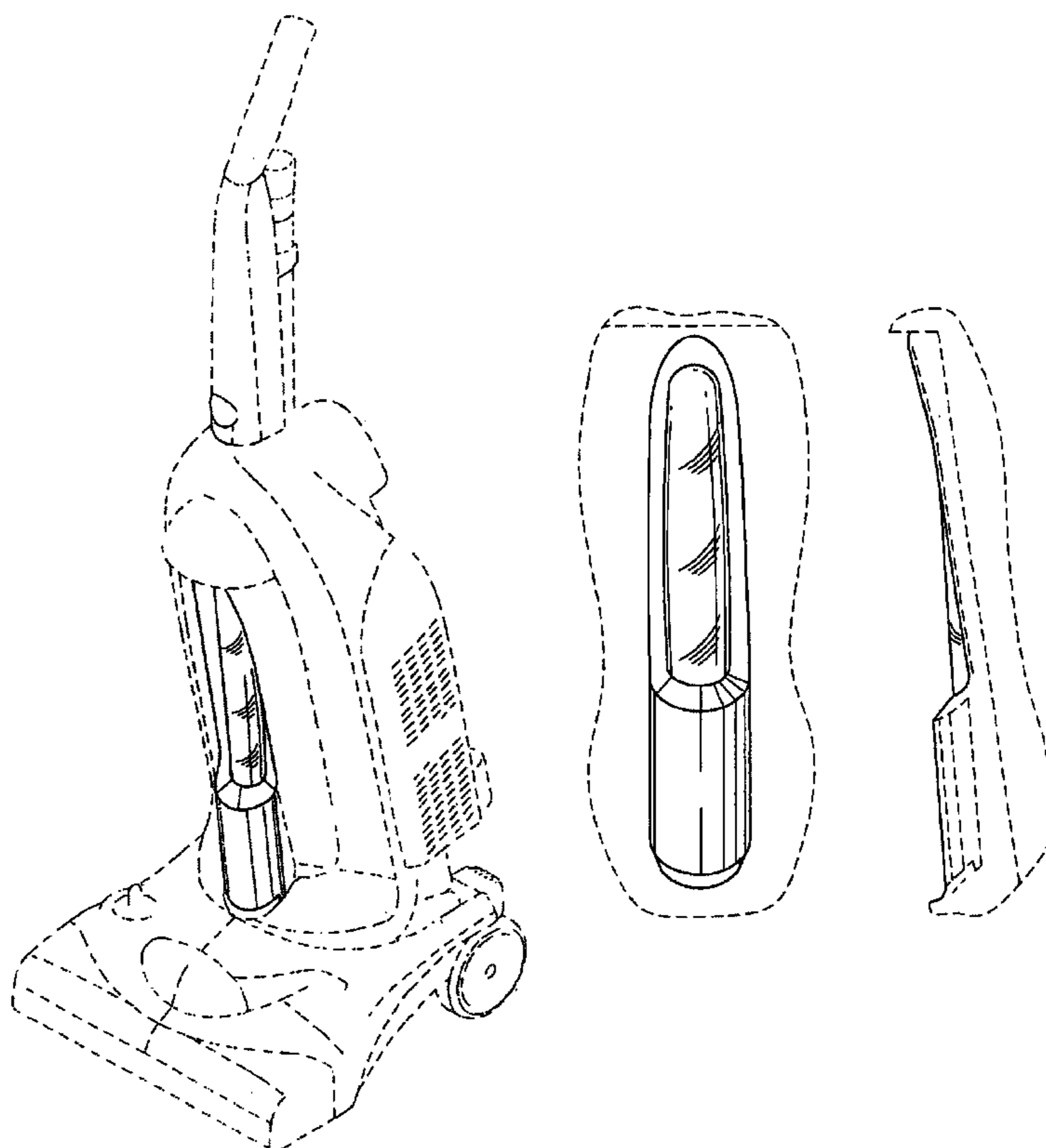
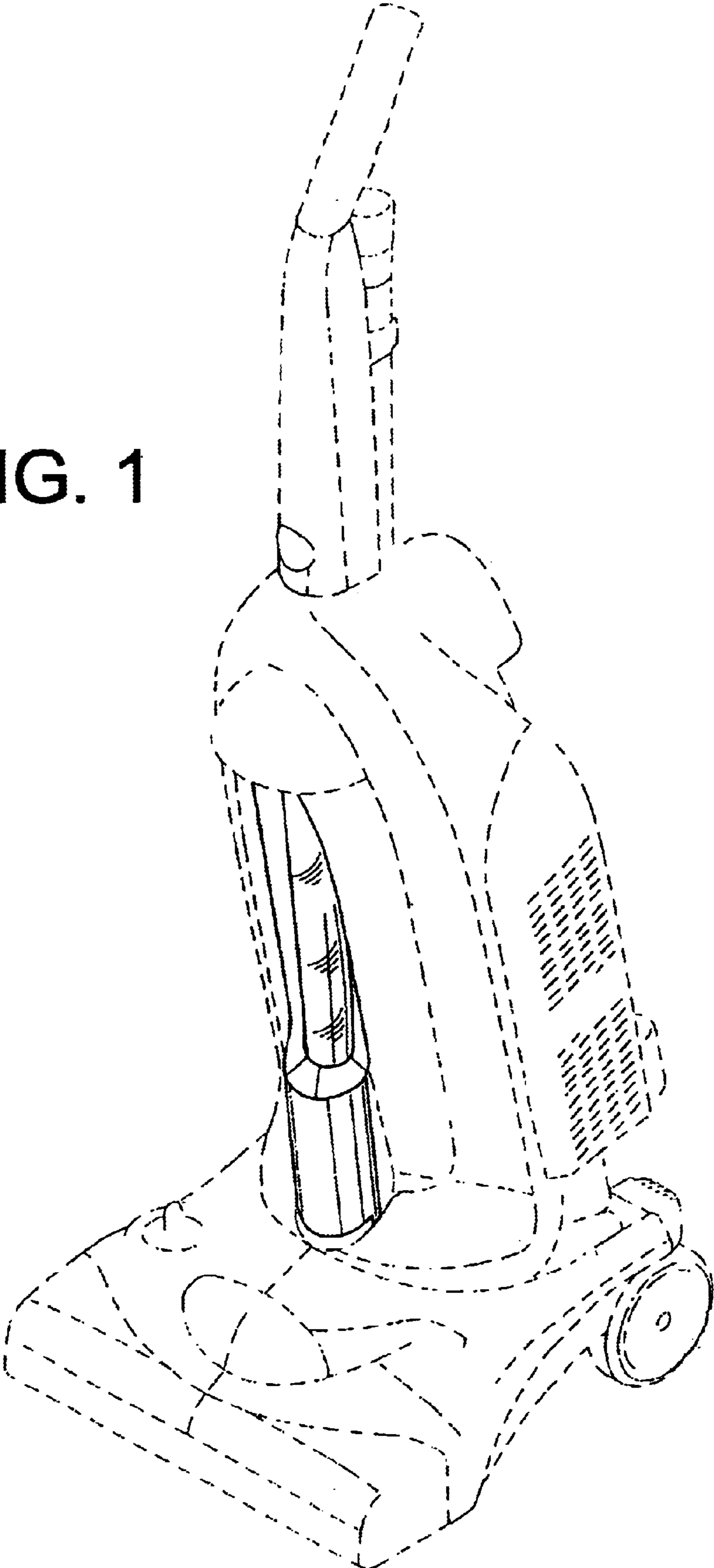


FIG. 1



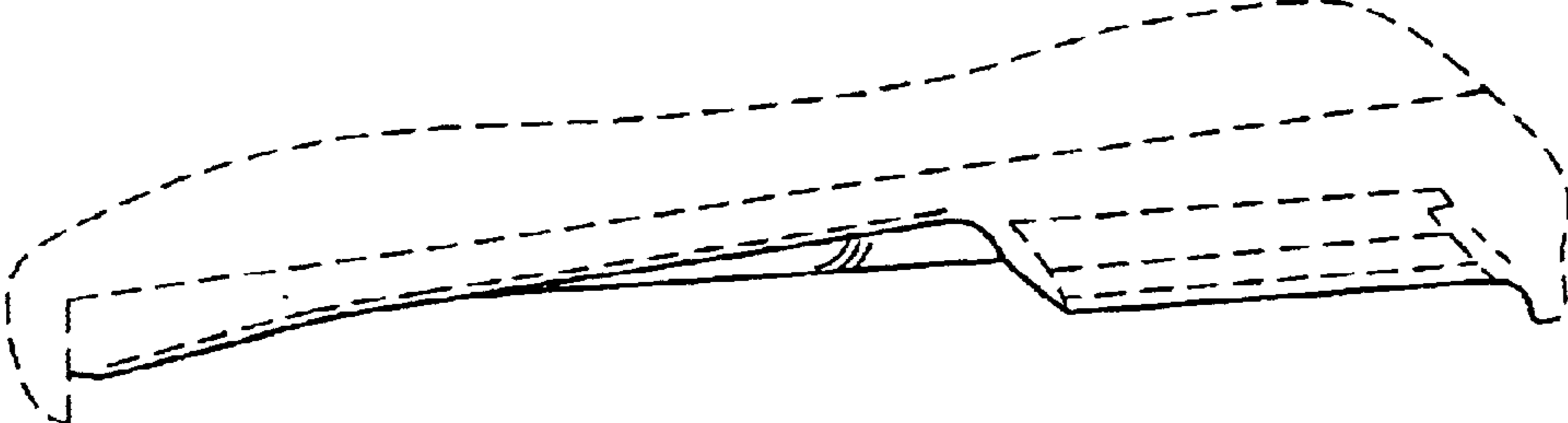


FIG. 2

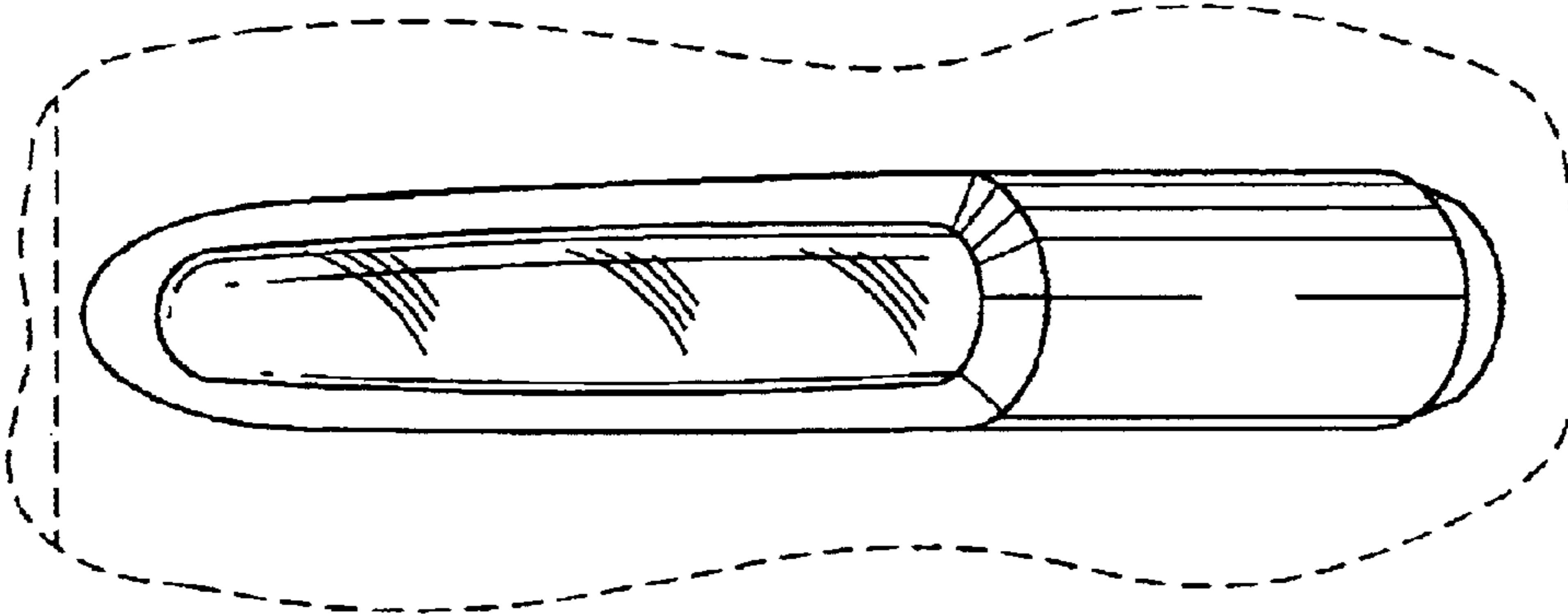


FIG. 3

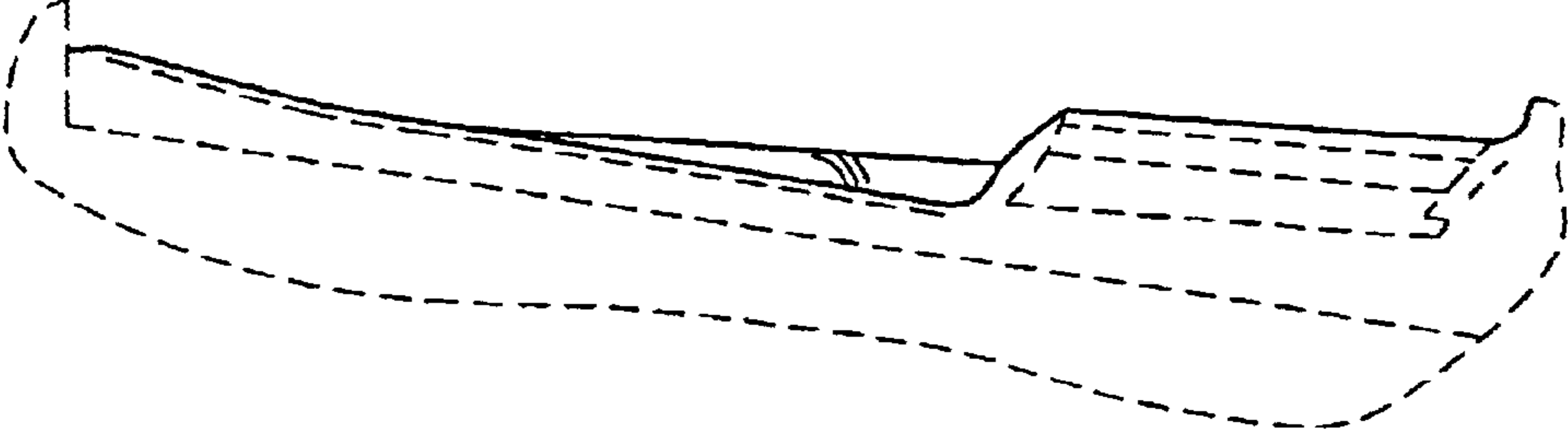


FIG. 4