

US00D496507S1

(12) **United States Design Patent** (10) **Patent No.:** **US D496,507 S**  
**Johnson et al.** (45) **Date of Patent:** **\*\* Sep. 21, 2004**

(54) **DRYER CONTROL PANEL**

5,305,484 A \* 4/1994 Fitzpatrick et al. .... 68/5 C

(75) Inventors: **Troy A. Johnson**, Newton, IA (US);  
**Joseph M. Keeler**, Colfax, IA (US);  
**Michael C. Roberts**, Lawrence, KS  
(US); **Curtis J. Tremel**, Newton, IA  
(US)

\* cited by examiner

*Primary Examiner*—Robert A. Delehanty  
(74) *Attorney, Agent, or Firm*—McKee, Voorhees & Sease,  
P.L.C.

(73) Assignee: **Maytag Corporation**, Newton, IA (US)

(57) **CLAIM**

(\*\*) Term: **14 Years**

We claim the ornamental design for a dryer control panel,  
substantially as shown.

(21) Appl. No.: **29/188,404**

**DESCRIPTION**

(22) Filed: **Aug. 18, 2003**

FIG. 1 is a perspective view of a dryer having the control  
panel design of the present invention.

(51) **LOC (7) Cl.** ..... **15-05**

(52) **U.S. Cl.** ..... **D32/28**

(58) **Field of Search** ..... D32/1, 5-6, 8,  
D32/10, 25; 38/1 A; 34/523, 132, 603,  
235, 417, 600, 237-238, 534; 68/3 R, 152-156,  
212, 5 C; D6/432, 441, 446, 448

FIG. 2 is an enlarged front elevation view of the control  
panel;

FIG. 3 is an enlarged top plan view thereof;

FIG. 4 is an enlarged right side elevation view thereof; and,

FIG. 5 is an enlarged left side elevation view thereof.

Applicants make no claim to the bottom or rear design of the  
control panel.

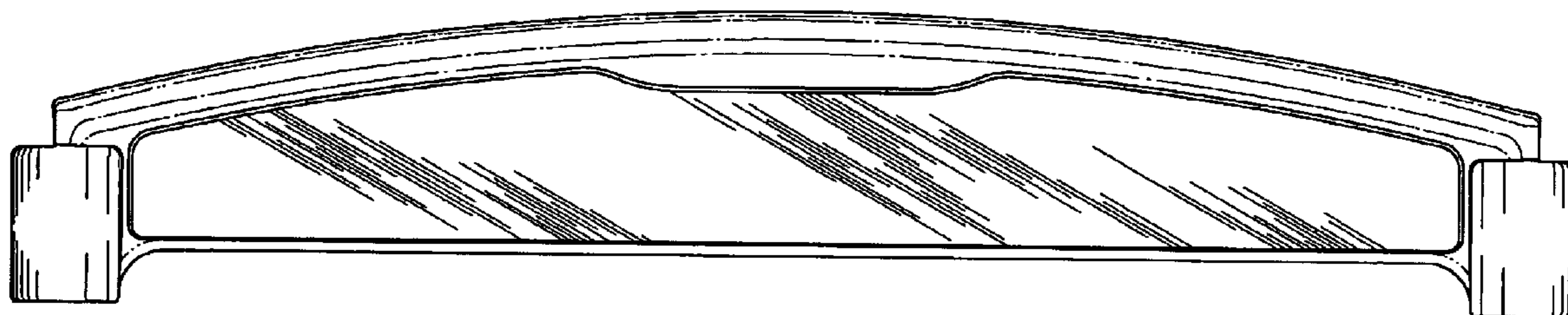
The features shown in broken lines form no part of the  
claimed invention.

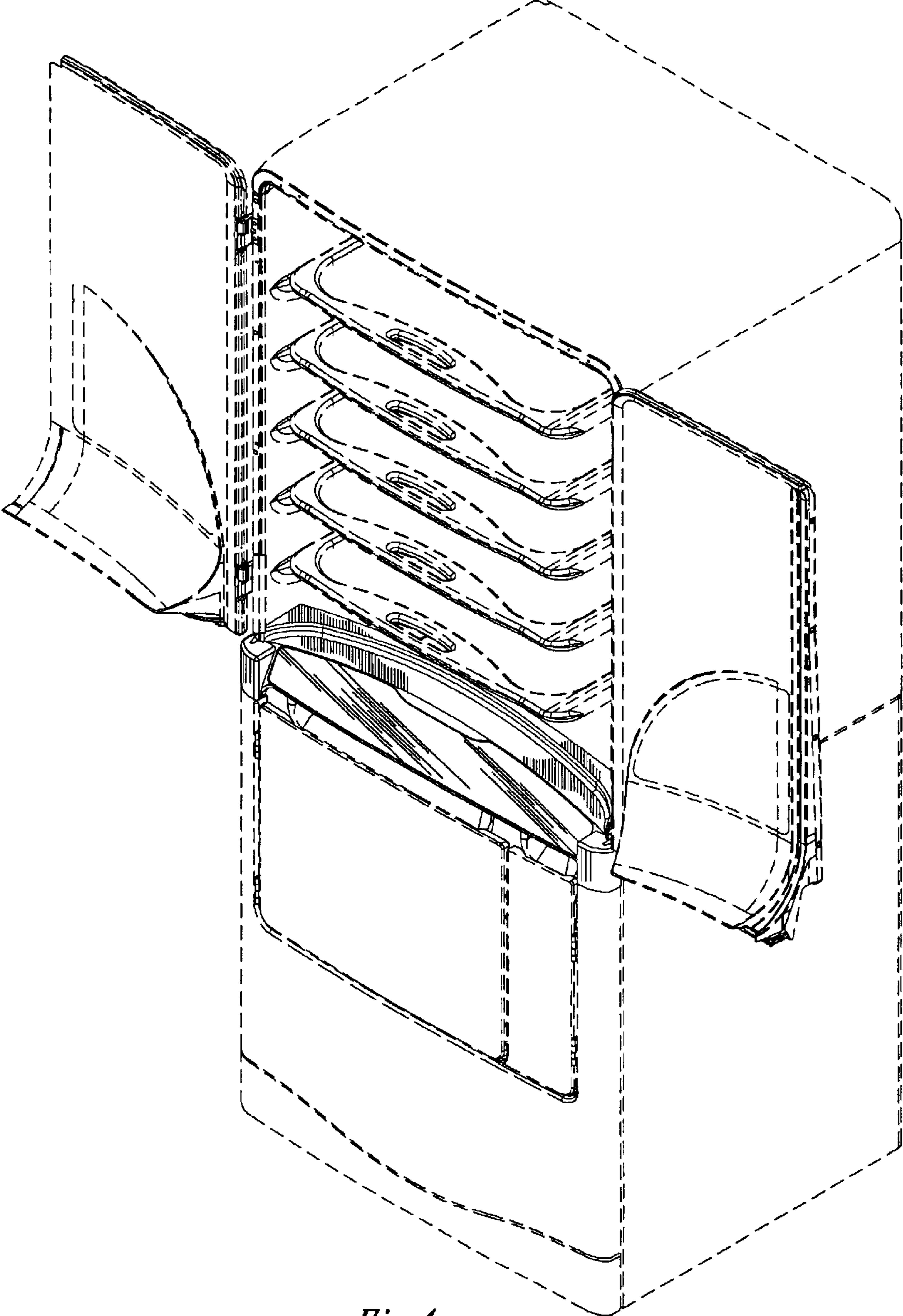
(56) **References Cited**

**U.S. PATENT DOCUMENTS**

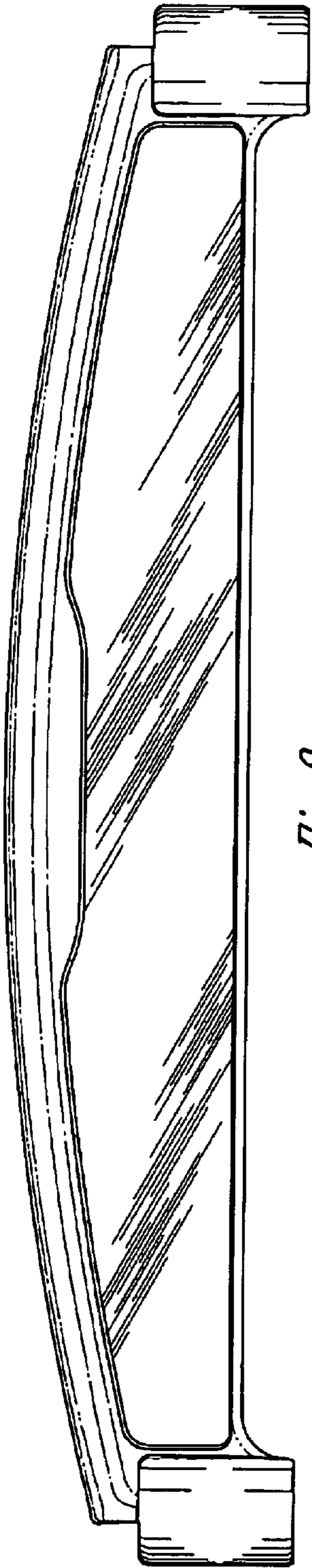
5,094,020 A \* 3/1992 Wingfield et al. .... 38/1 A

**1 Claim, 2 Drawing Sheets**

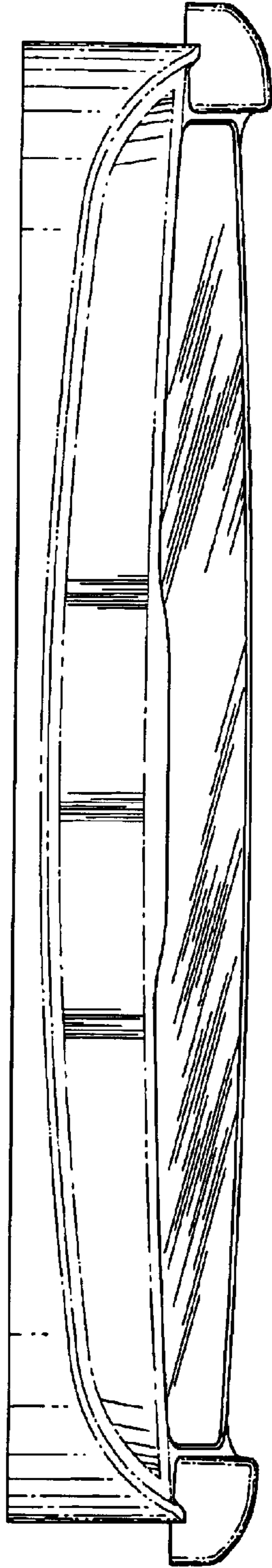




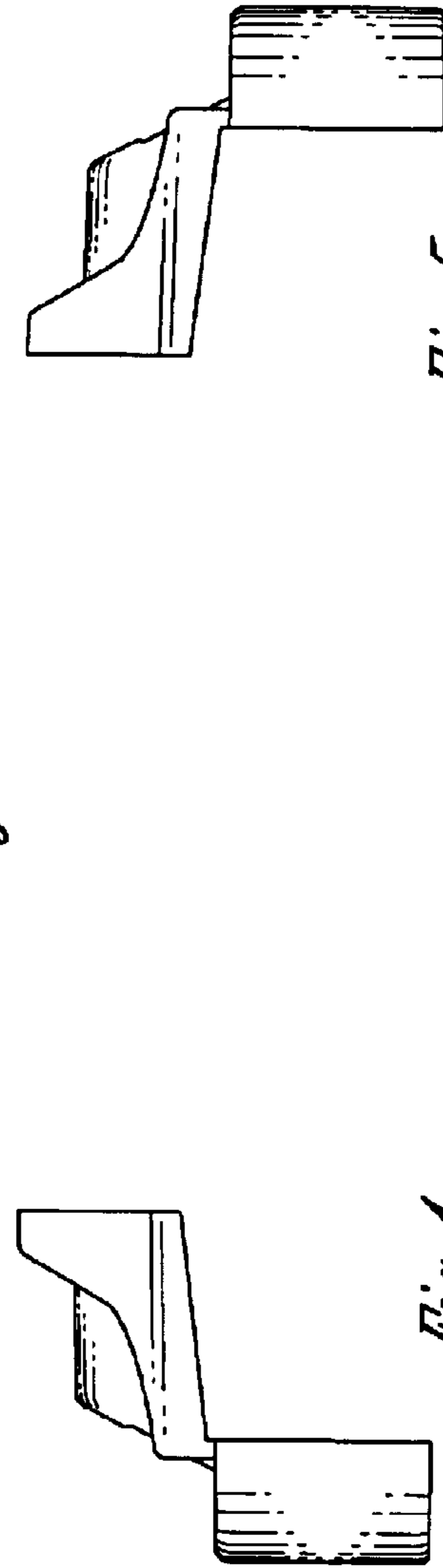
*Fig. 1*



*Fig. 2*



*Fig. 3*



*Fig. 5*

*Fig. 4*