

US00D496504S1

(12) **United States Design Patent**
Peters

(10) **Patent No.: US D496,504 S**

(45) **Date of Patent: ** Sep. 21, 2004**

- (54) **WALLPAPER STRIPPER BOILER**
- (75) Inventor: **Richard N. Peters**, Surrey (GB)
- (73) Assignee: **Earlex Limited**, Surrey (GB)
- (**) Term: **14 Years**

4,851,642 A	*	7/1989	Wilkins	392/399
5,208,895 A	*	5/1993	Hoover et al.	392/404
5,305,415 A	*	4/1994	Stevens	392/403
D354,288 S	*	1/1995	Pena	D15/13
5,447,597 A	*	9/1995	Zimmermann et al.	156/584
D371,648 S	*	7/1996	Zimmermann et al.	D32/15
5,917,992 A	*	6/1999	Zimmermann et al.	392/404

- (21) Appl. No.: **29/173,153**
- (22) Filed: **Dec. 23, 2002**
- (30) **Foreign Application Priority Data**
Jun. 24, 2002 (GB) 3004739
- (51) **LOC (7) Cl.** **15-05**
- (52) **U.S. Cl.** **D32/24**
- (58) **Field of Search** D8/29.1; D32/1,
D32/15, 17; D15/144; 392/404-406, 384,
324, 379; 156/584, 344; 219/271, 272,
229

* cited by examiner

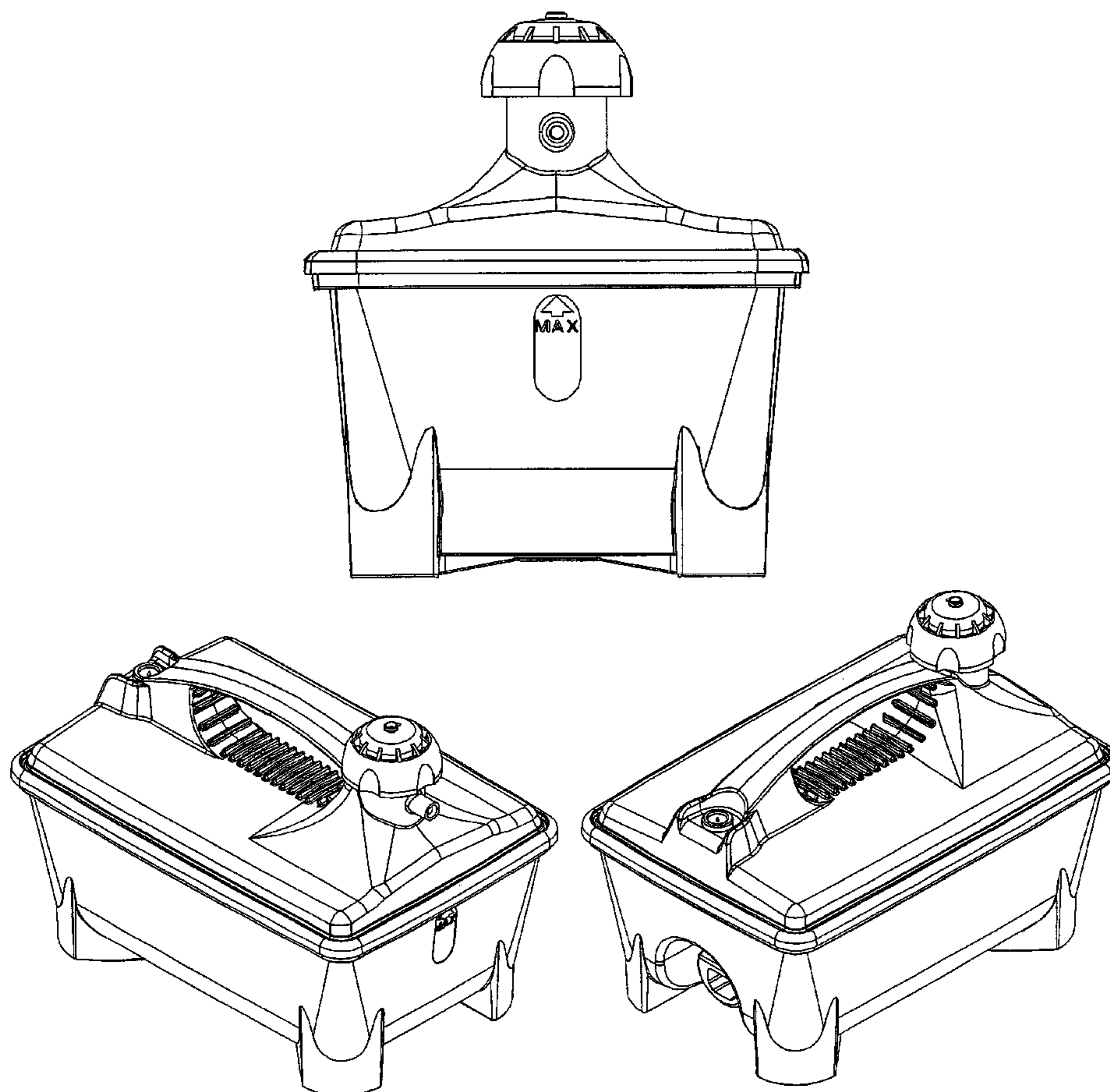
Primary Examiner—Ruth McInroy
(74) *Attorney, Agent, or Firm*—Ware, Fressola, Van Der Sluys & Adolphson LLP

- (56) **References Cited**
U.S. PATENT DOCUMENTS
3,997,759 A * 12/1976 Osrow et al. 392/335
D296,070 S * 6/1988 Cunningham D8/29.1

(57) **CLAIM**
I claim the ornamental design for a wallpaper stripper boiler, as shown and described.

DESCRIPTION
FIG. 1 is a front view of a wallpaper stripper boiler showing my new design;
FIG. 2 is a rear view thereof;
FIG. 3 is a top, front and side perspective view thereof;
FIG. 4 is a top, rear and side perspective view thereof; and,
FIG. 5 is a bottom view thereof.

1 Claim, 5 Drawing Sheets



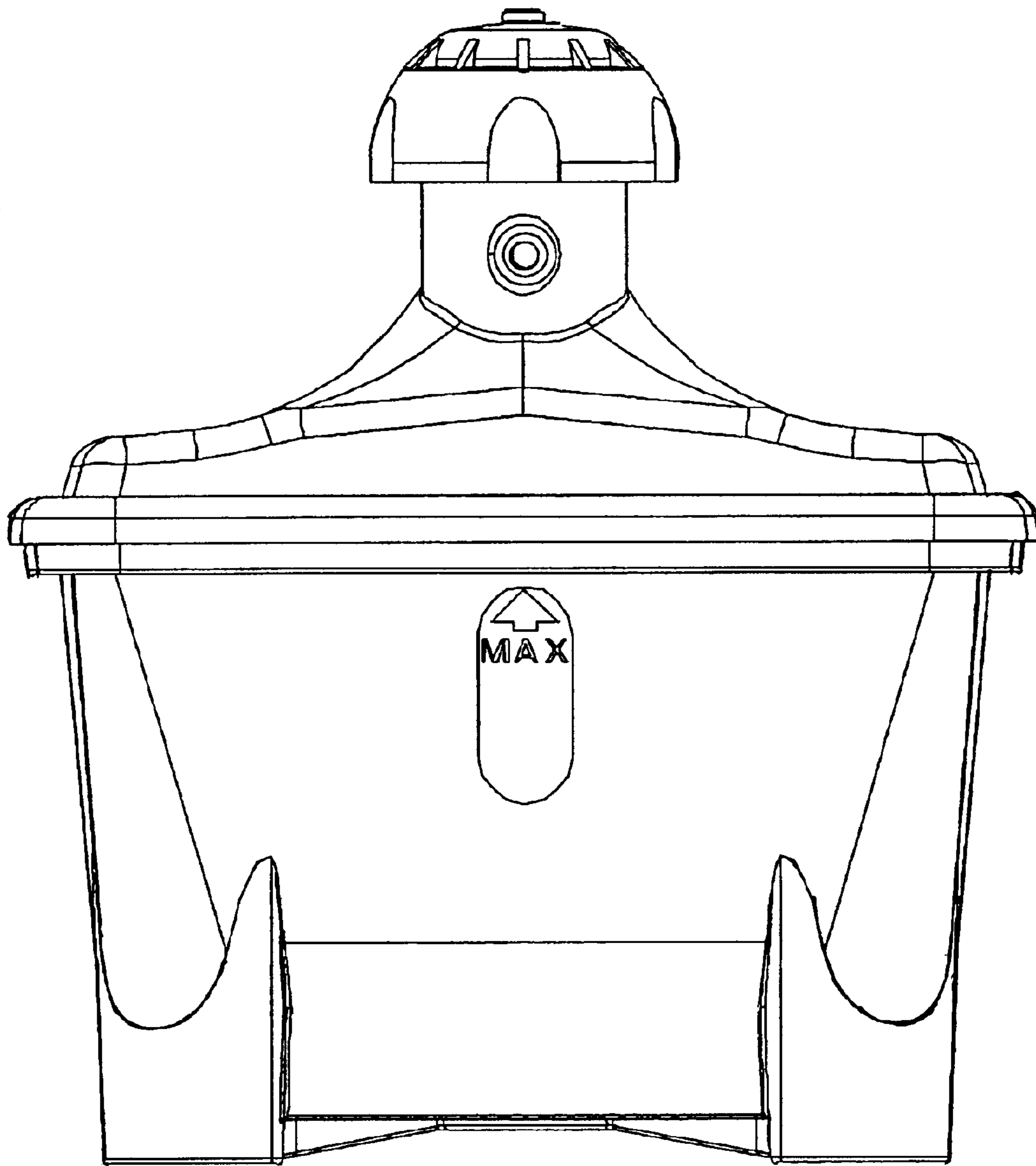


FIG. 1

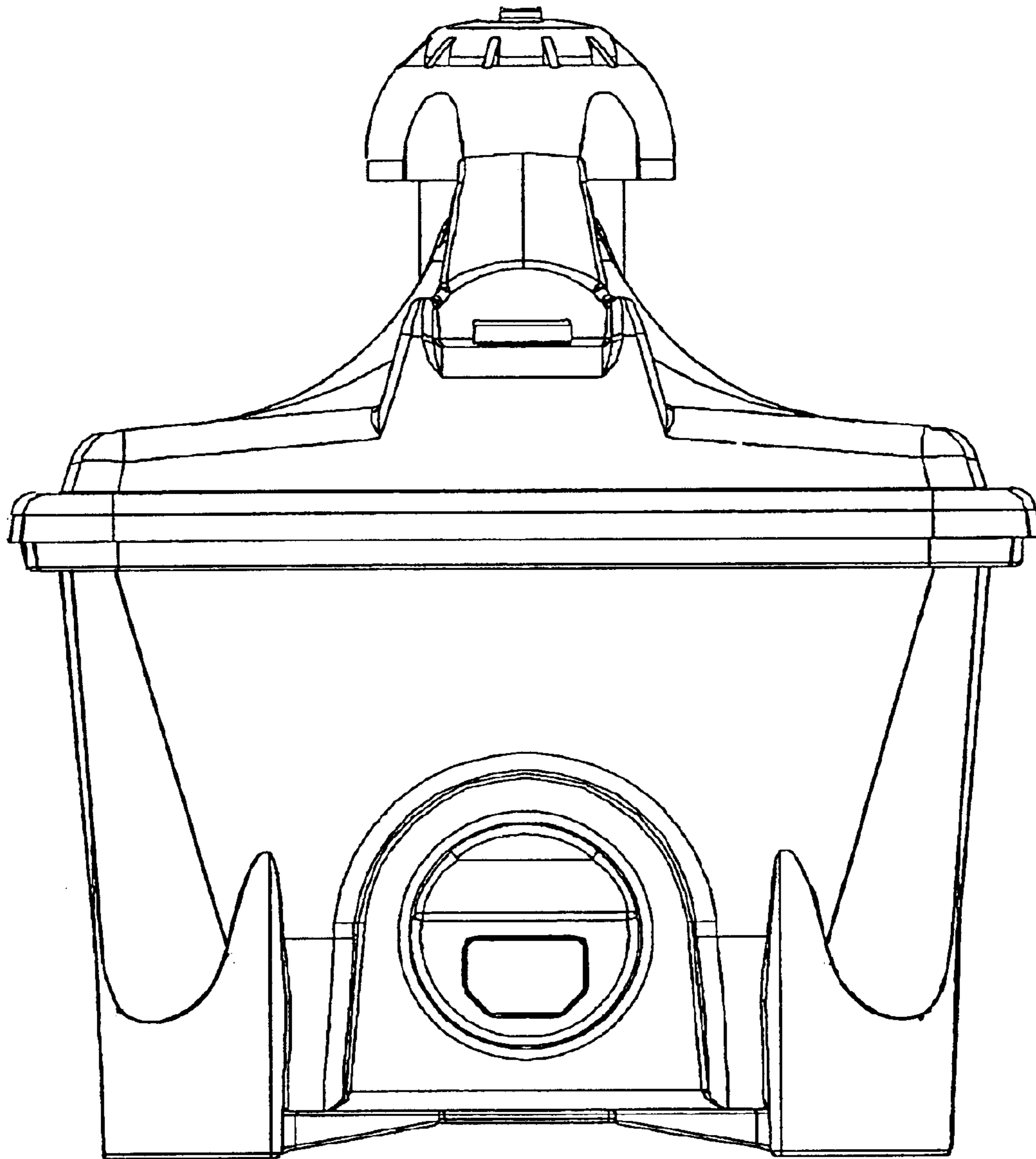


FIG. 2

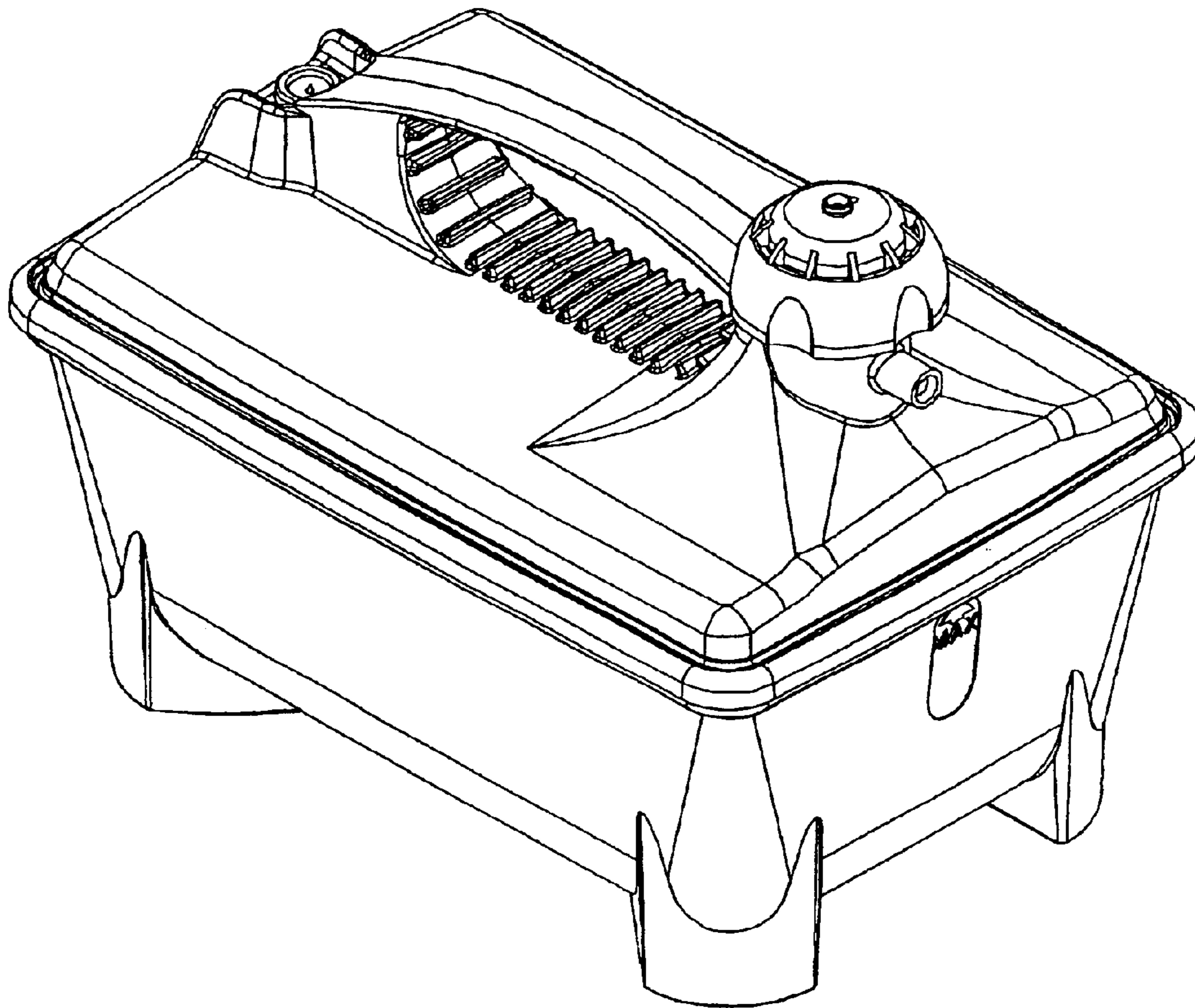


FIG. 3

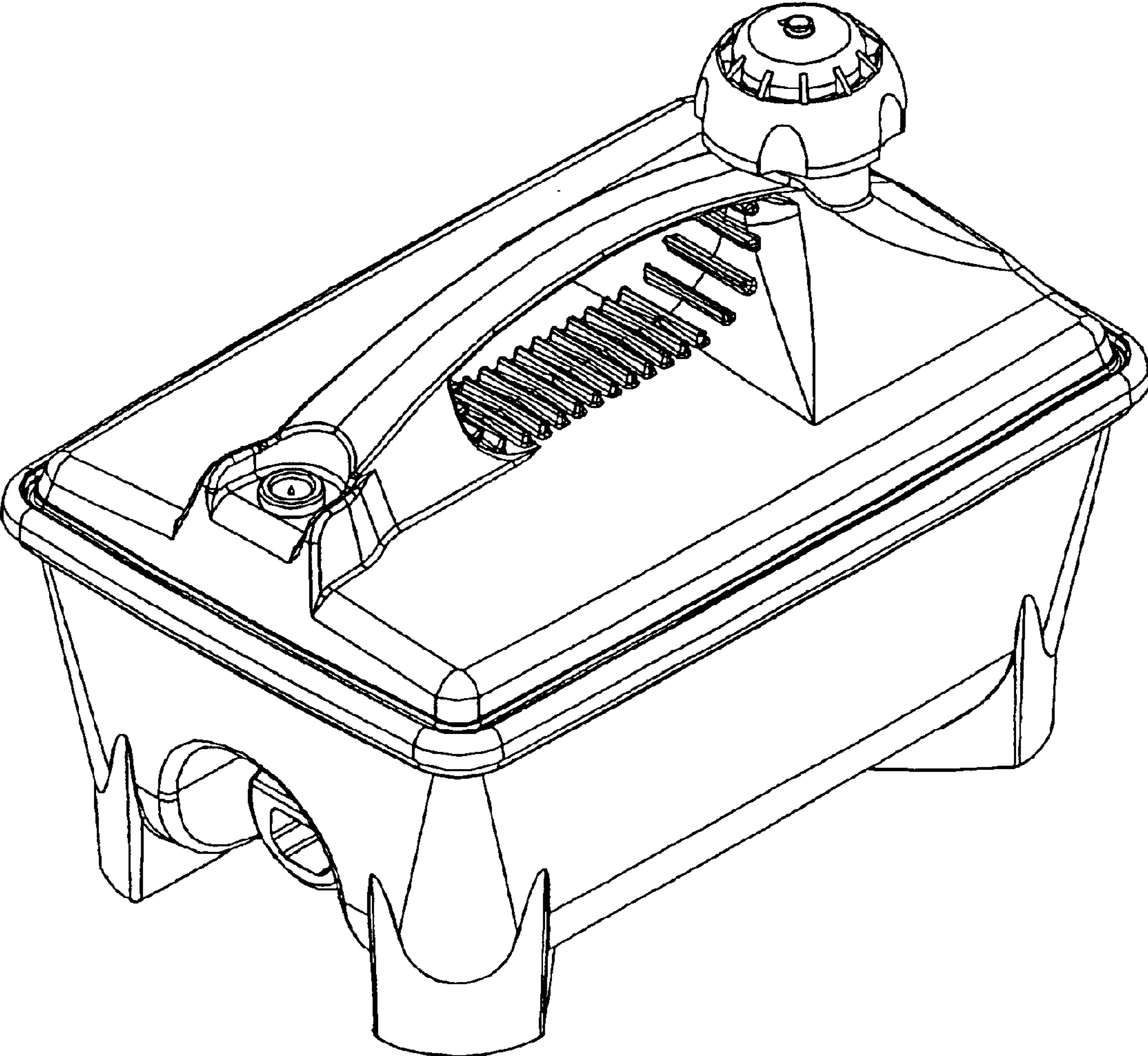


FIG. 4

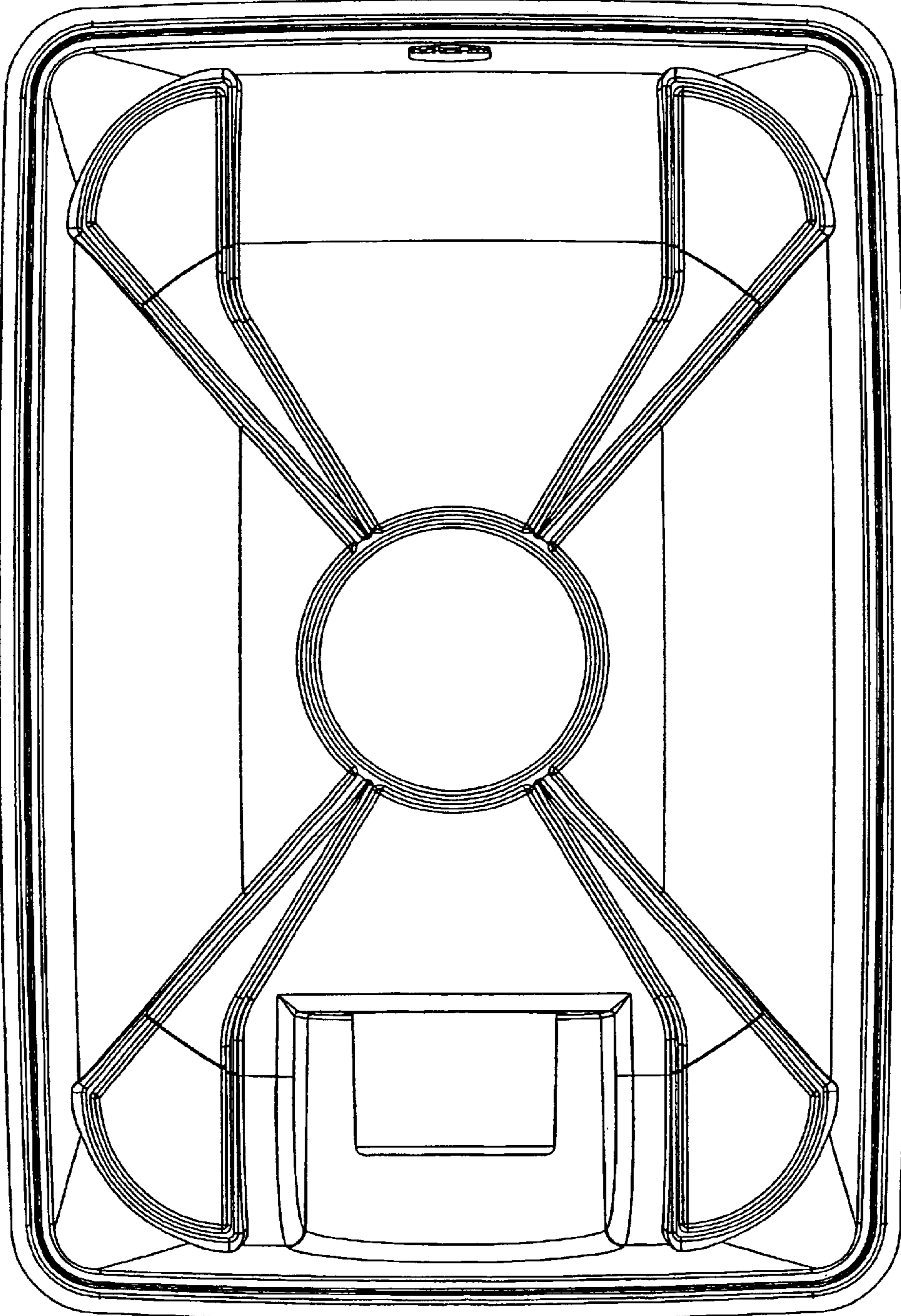


FIG. 5