

US00D496503S1

(12) **United States Design Patent**
Chen

(10) **Patent No.:** **US D496,503 S**

(45) **Date of Patent:** **** Sep. 21, 2004**

(54) **HIGH PRESSURE CLEANER**

(76) **Inventor:** **Jiming Chen**, 190 Industry Rd., Jinqing Town, Luqiao Area, Taizhou, Zhejiang Province 318058 (CN)

(**) **Term:** **14 Years**

(21) **Appl. No.:** **29/177,713**

(22) **Filed:** **Mar. 17, 2003**

(51) **LOC (7) Cl.** **15-05**

(52) **U.S. Cl.** **D32/16**

(58) **Field of Search** D32/15-16, 21-22, D32/31; 15/320-321, 323, 347, 350, 352-535, 49.1, 79.1-79.2

(56) **References Cited**

U.S. PATENT DOCUMENTS

3,974,541 A	*	8/1976	Silvis et al.	15/320
D298,479 S	*	11/1988	Jacobs et al.	D32/16
D318,543 S	*	7/1991	Shero	D32/23
D332,330 S	*	1/1993	Gurstein	D32/21
D337,185 S	*	7/1993	Wulff	D32/21
D344,374 S	*	2/1994	Wulff	D32/21
D345,034 S	*	3/1994	Fitzwater	D32/21
D346,679 S	*	5/1994	Bradd et al.	D32/22
D364,947 S	*	12/1995	Kent et al.	D32/22
D365,423 S	*	12/1995	Bores et al.	D32/16
D375,590 S	*	11/1996	Steinhart et al.	D32/15

D381,779 S	*	7/1997	Pritchett et al.	D32/21
D394,526 S	*	5/1998	Strandell	D32/21
D404,859 S	*	1/1999	Dziersk et al.	D32/21
5,901,410 A	*	5/1999	Windmeisser	15/354
D420,473 S	*	2/2000	Shero	D32/16
D422,386 S	*	4/2000	Jaros et al.	D32/21
D446,612 S	*	8/2001	Kohler	D32/21
6,276,613 B1	*	8/2001	Kramer	239/304
D477,444 S	*	7/2003	Bisson	D32/21
D481,838 S	*	11/2003	Renner	D32/15
D486,614 S	*	2/2004	Beauchamp et al.	D32/21

* cited by examiner

Primary Examiner—Ruth McInroy

(74) *Attorney, Agent, or Firm*—Birch, Stewart, Kolasch & Birch, LLP

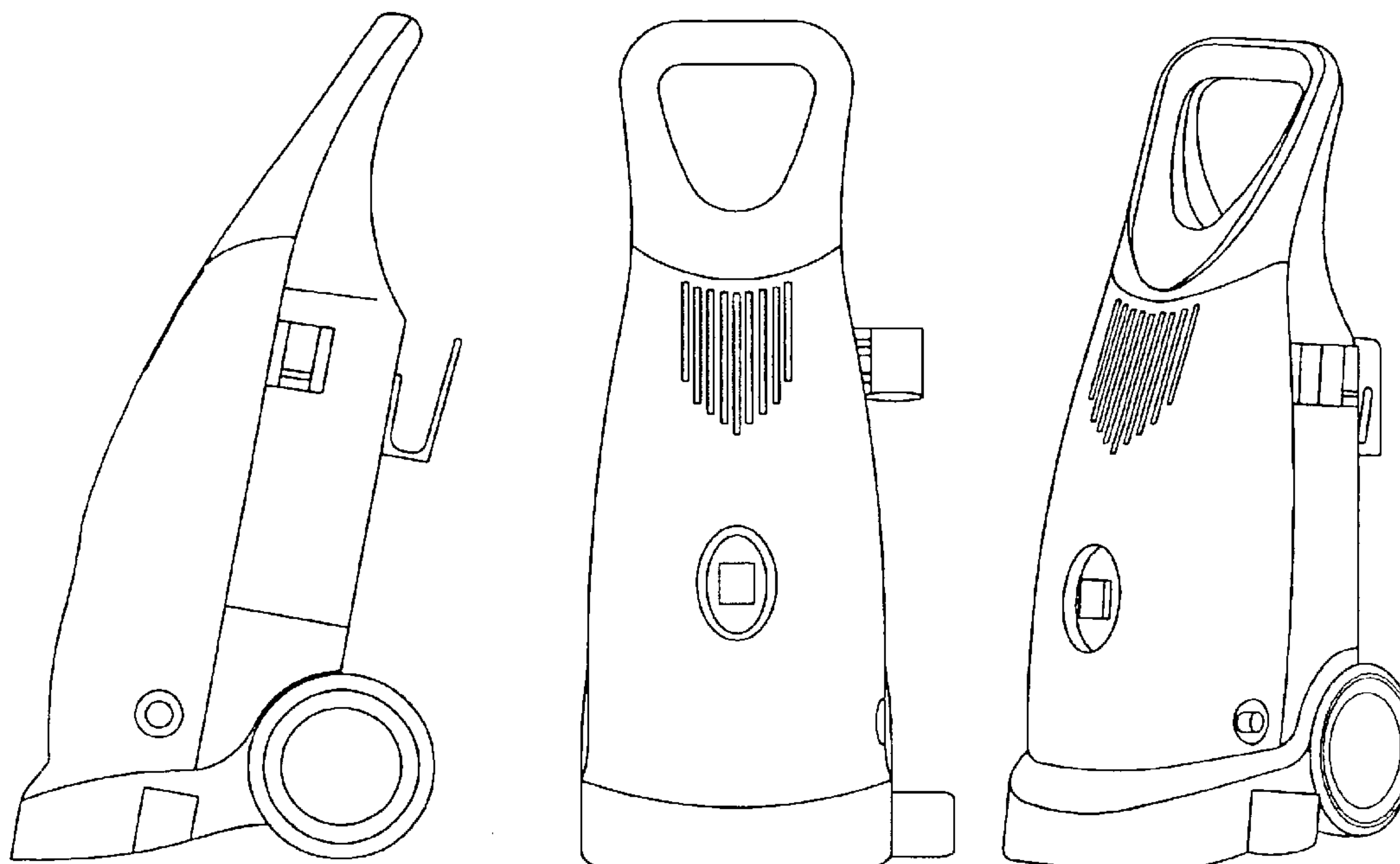
(57) **CLAIM**

The ornamental design for a high pressure cleaner, as shown.

DESCRIPTION

FIG. 1 is a front side elevational view of a high pressure cleaner showing my new design; FIG. 2 is a right side elevational view thereof; FIG. 3 is a left side elevational view thereof; FIG. 4 is a bottom plan view thereof; FIG. 5 is a top plan view thereof; FIG. 6 is a rear side elevational view thereof; and, FIG. 7 is a three-dimensional view thereof.

1 Claim, 3 Drawing Sheets



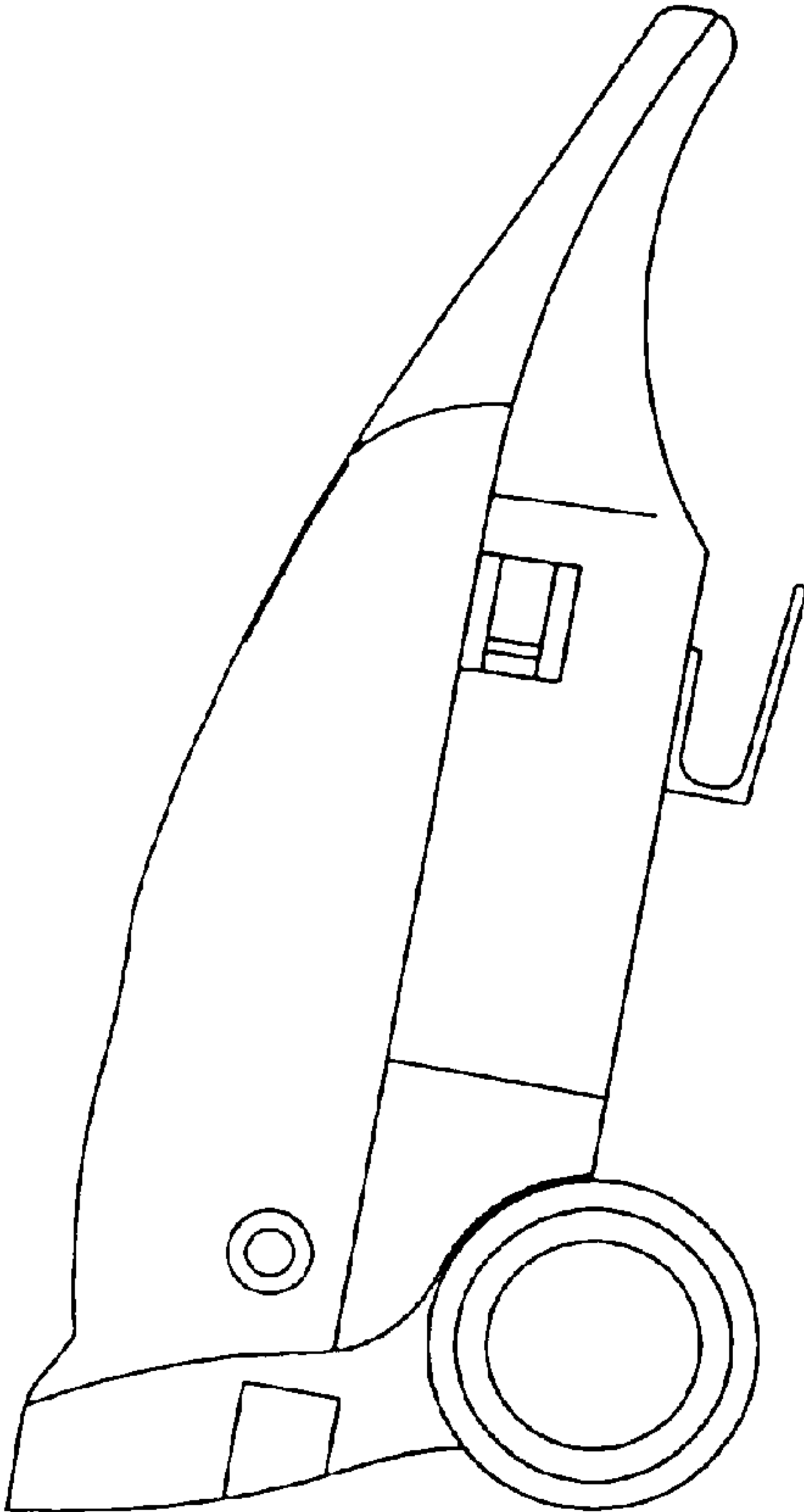


FIG. 1

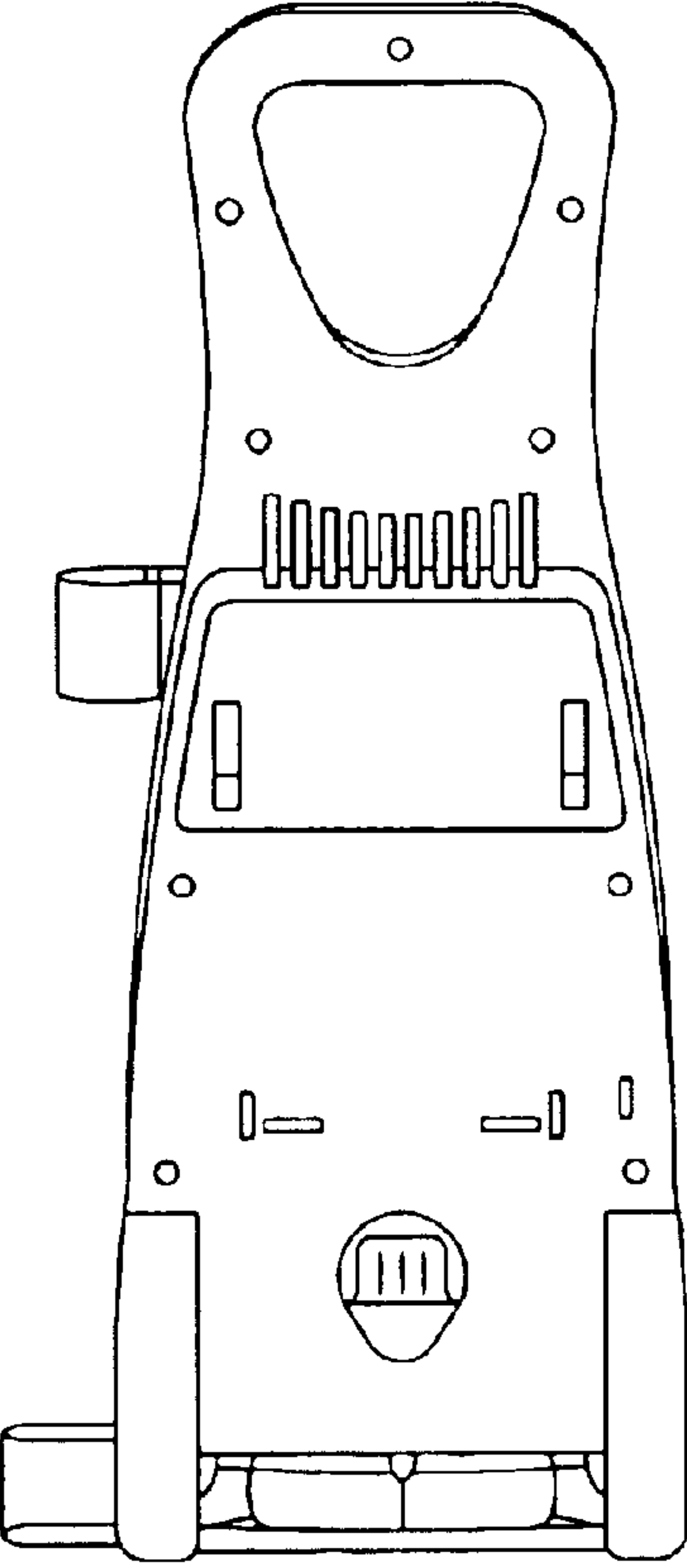


FIG. 2

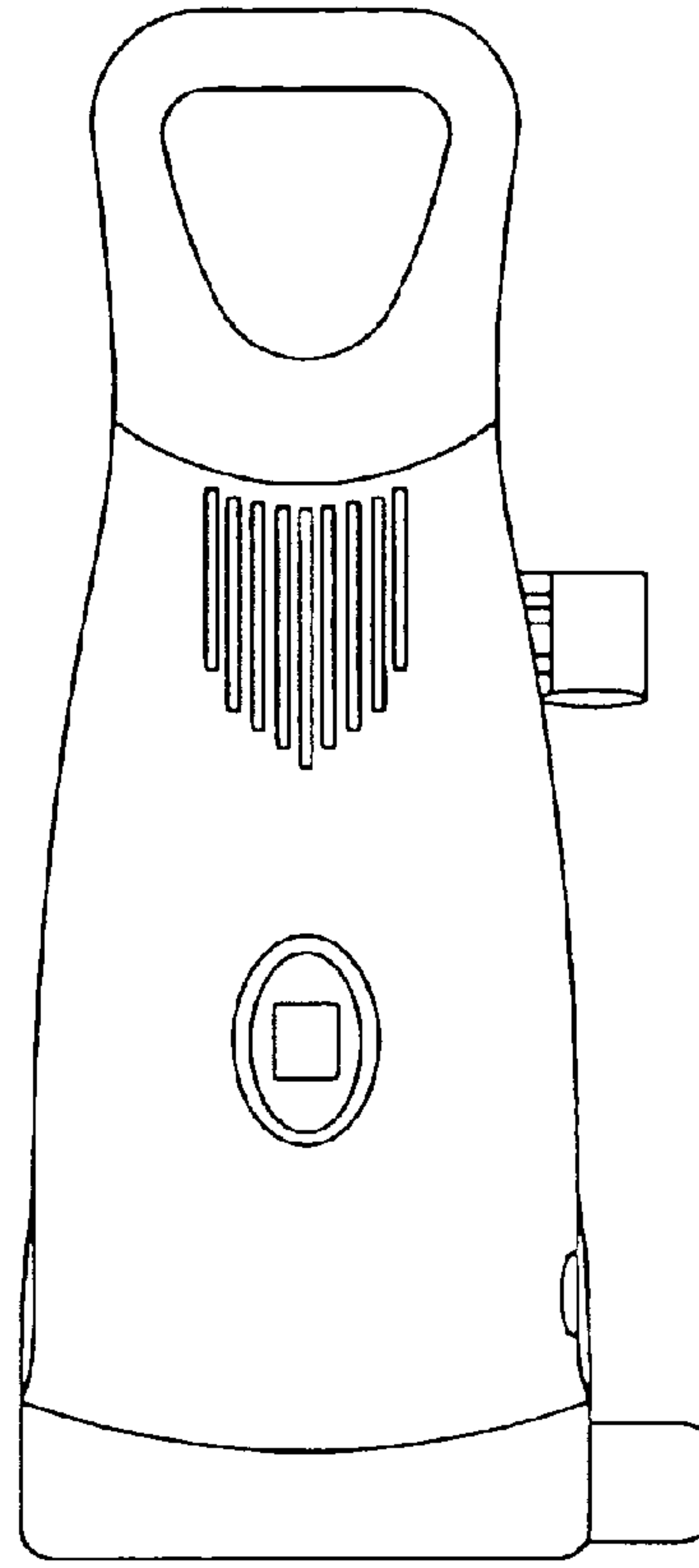


FIG. 3

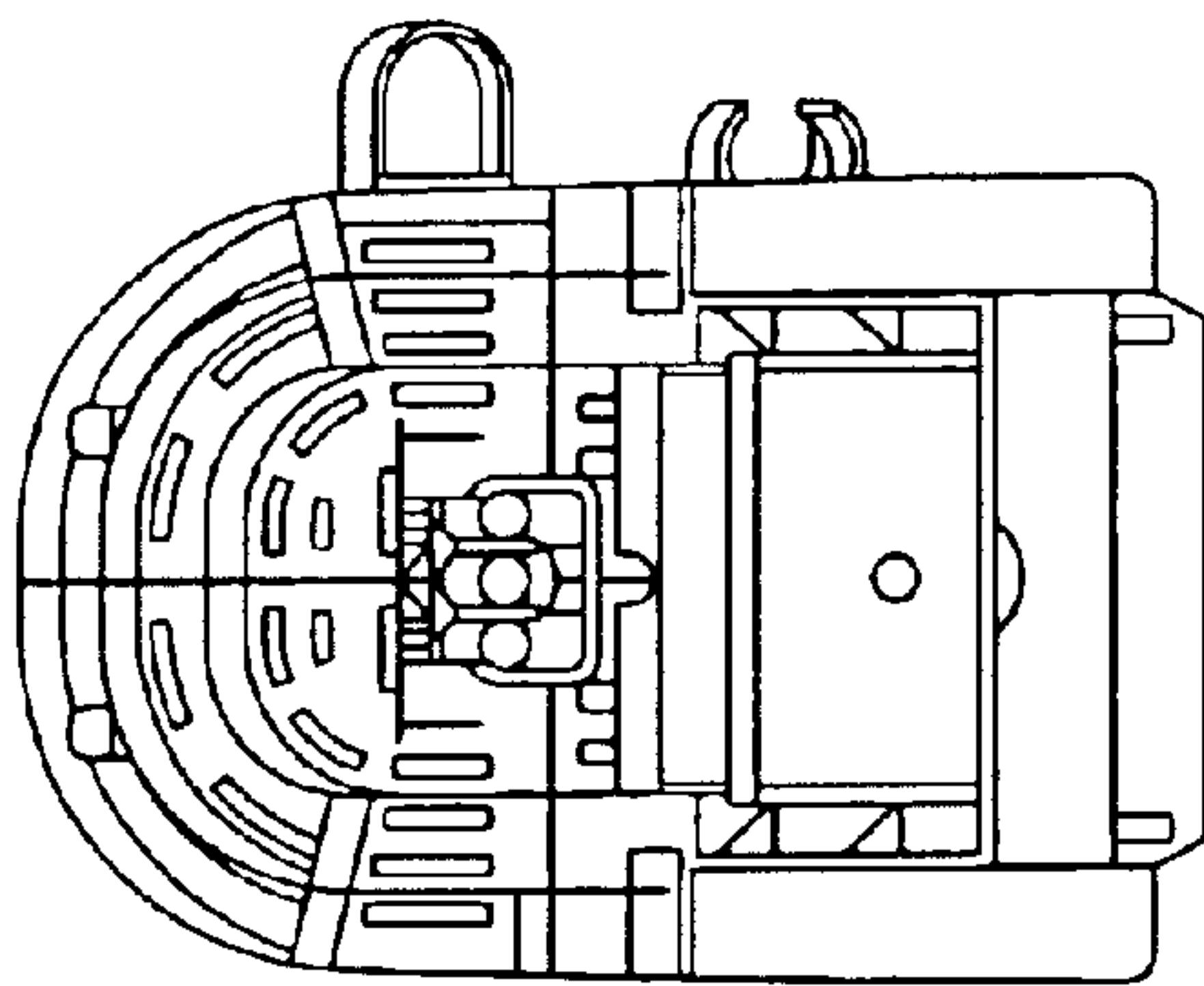


FIG. 4

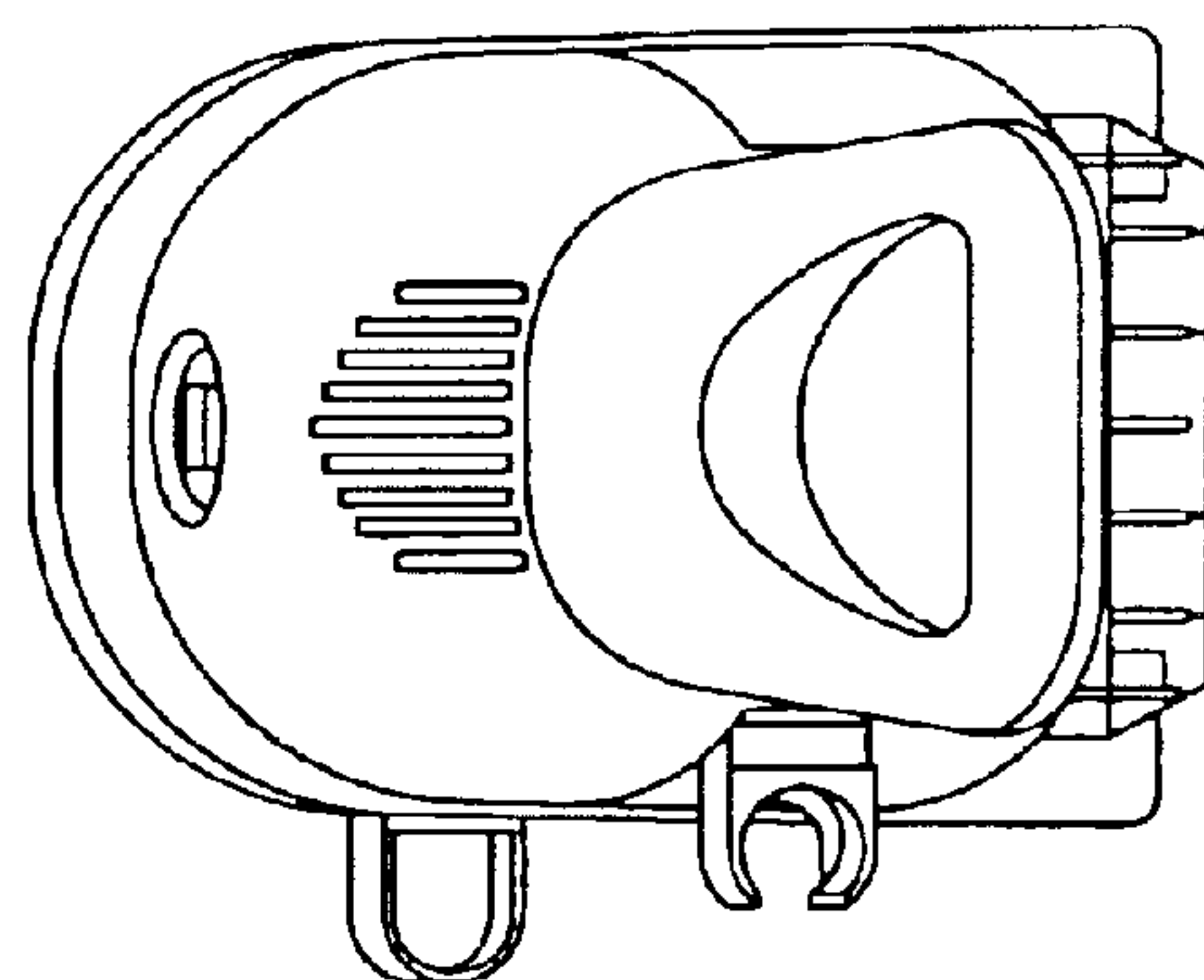


FIG. 5

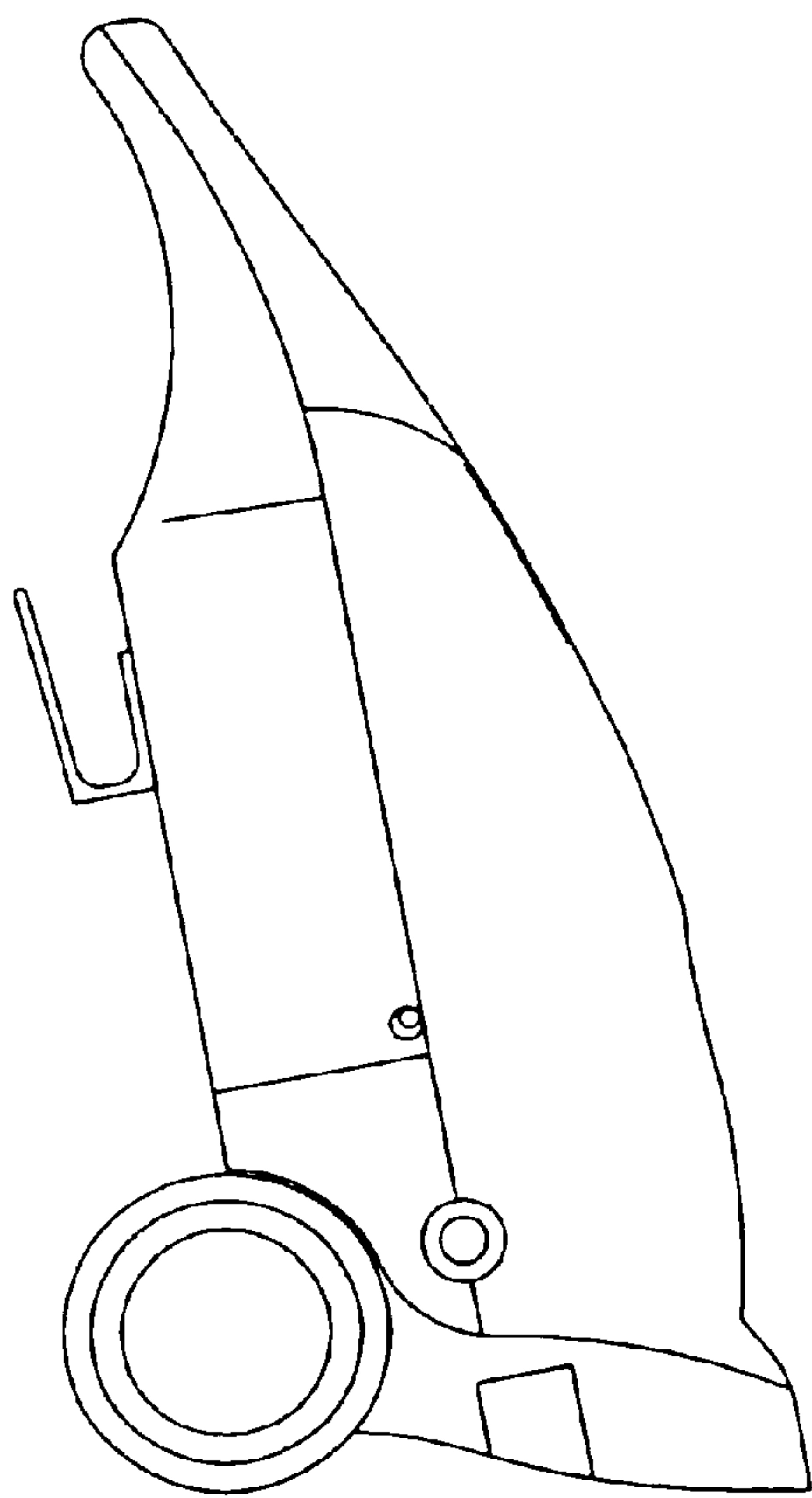


FIG. 6

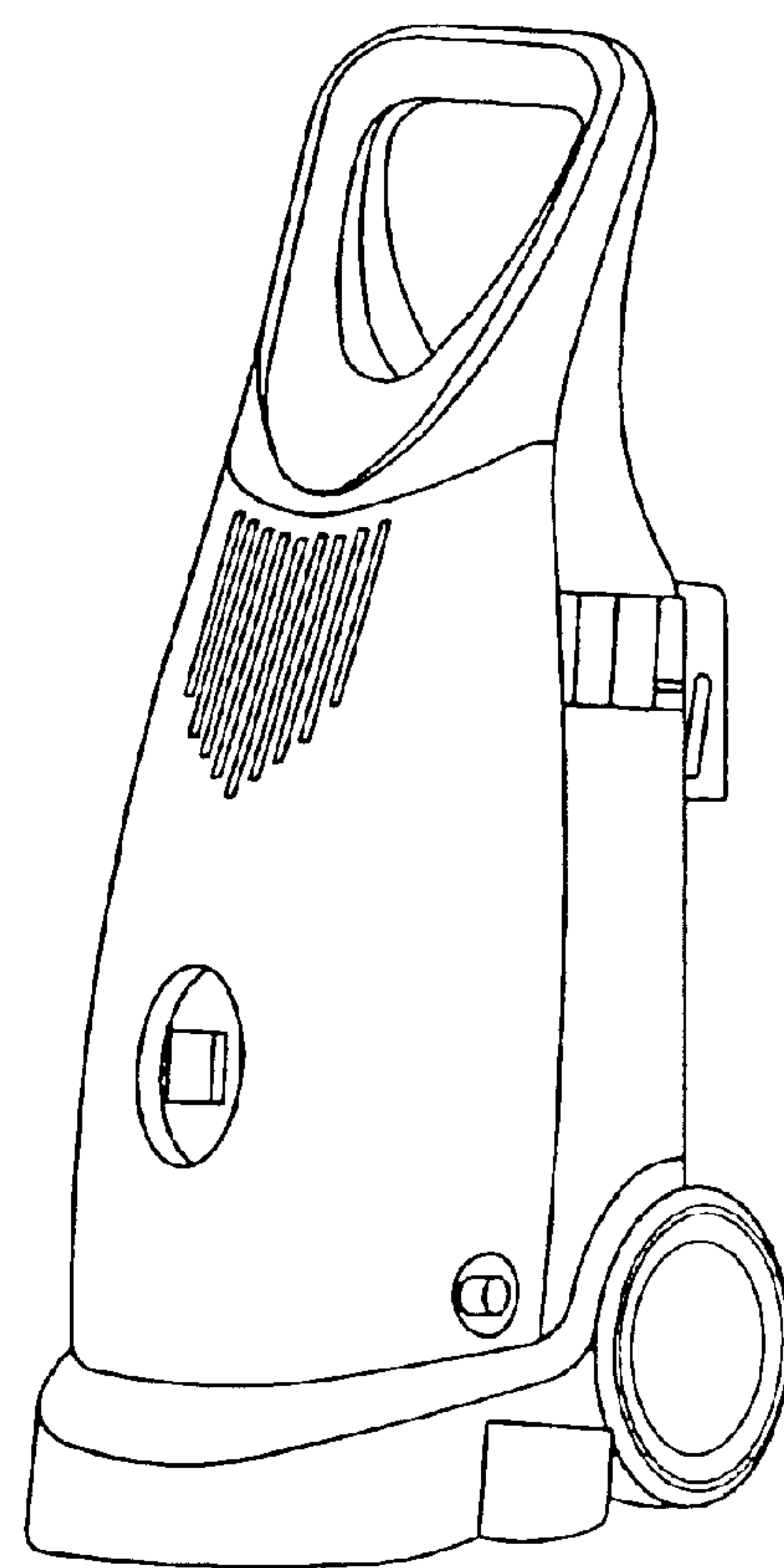


FIG. 7