

US00D496489S1

(12) **United States Design Patent** (10) **Patent No.:** **US D496,489 S**  
**Thomas, Jr.** (45) **Date of Patent:** **\*\* Sep. 21, 2004**

(54) **CEILING FAN LIGHT KIT**

(75) Inventor: **James C. Thomas, Jr.**, Germantown, TN (US)

(73) Assignee: **Hunter Fan Company**, Memphis, TN (US)

(\*\*) Term: **14 Years**

(21) Appl. No.: **29/192,345**

(22) Filed: **Oct. 23, 2003**

(51) **LOC (7) Cl.** ..... **26-99**

(52) **U.S. Cl.** ..... **D26/128**

(58) **Field of Search** ..... D26/118, 128-137;  
362/351, 355, 356, 357, 359, 360, 361,  
363

(56) **References Cited**

**U.S. PATENT DOCUMENTS**

D487,812 S 3/2004 Stauffer ..... D26/59

**OTHER PUBLICATIONS**

Item A, Quorum International Catalog #9403, 1994, p. 48.\*  
Item HE 1262AG, Sep. 2002, Glass Globe Publication, p. 9.\*

Casablanca Fan Company 2002 Product Catalog pp. 72 and 73 Glass Accessories, Center Glass, p. 68 New 2002 Light Fixtures, p. 66 Light Fixtures, p. 49 (LeGrande), p. 44 (Stealth), p. 33 (Panama).

Hunter Fan Company 2002 Brochure, Chandelle Light Fixtures, Outdoor Listed Light Fixtures, Energy Efficient Light Fixtures, Spotlight Fixtures, Low Profile Light Fixtures, Accessory Glass, Ceiling Fan Light Fixtures, Dual Use Light Fixtures, Tiffany Art Glass, Aurora Glass, 12" Lead Crystal, and 12" Bowl Light Fixtures.

\* cited by examiner

*Primary Examiner*—Jennifer Rivard

(74) *Attorney, Agent, or Firm*—Baker Donelson

(57) **CLAIM**

The ornamental design for a ceiling fan light kit, as shown and described.

**DESCRIPTION**

FIG. 1 is a perspective view of a ceiling fan light kit showing my new design.

FIG. 2 is a front view thereof, the rear view, right side view and left side view being the same thereof.

FIG. 3 is a top view thereof; and,

FIG. 4 is a bottom view thereof.

The broken line showing of environmental structure is for illustrative purposes only and forms no part of the claimed design.

**1 Claim, 2 Drawing Sheets**

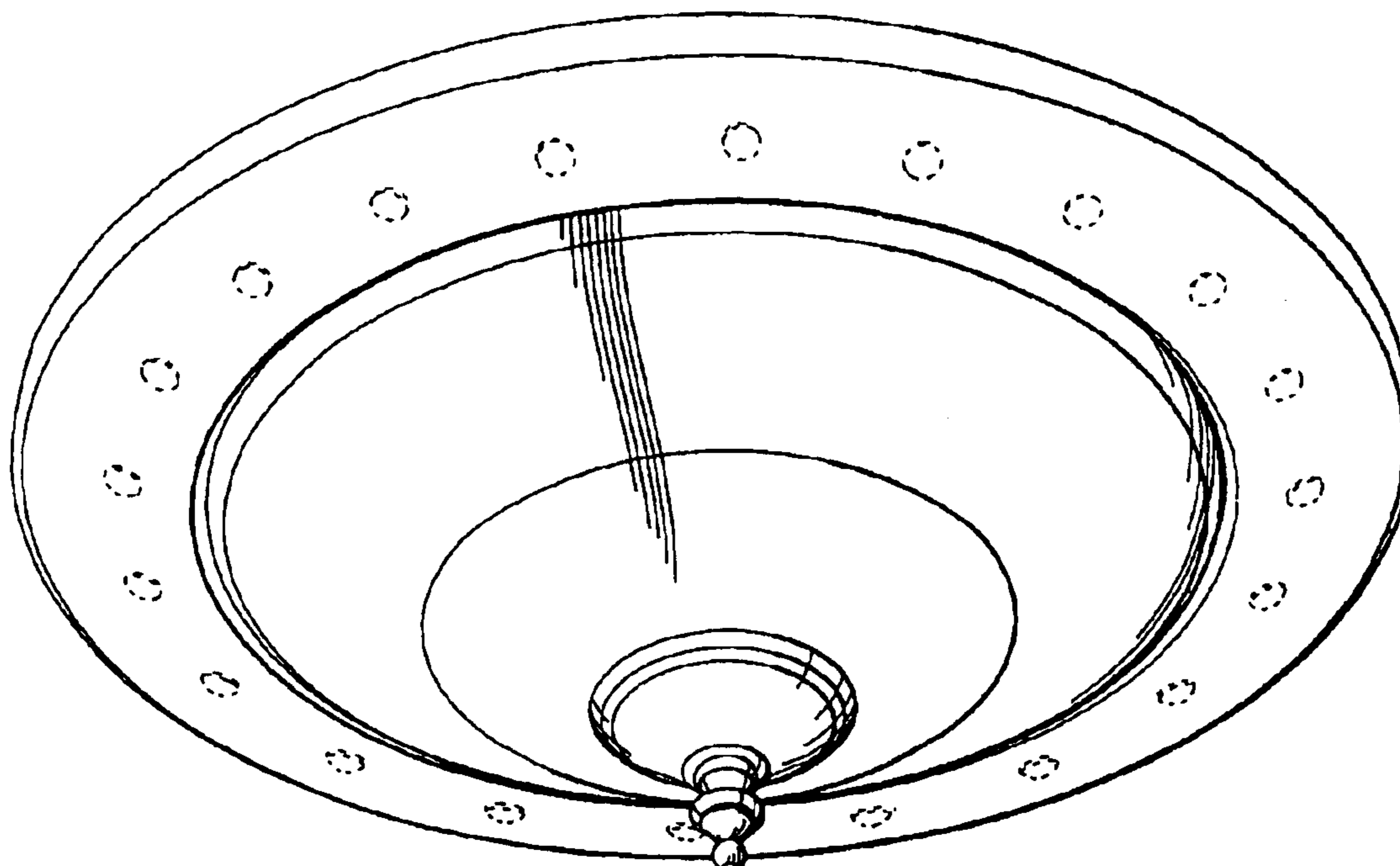


Fig. 1

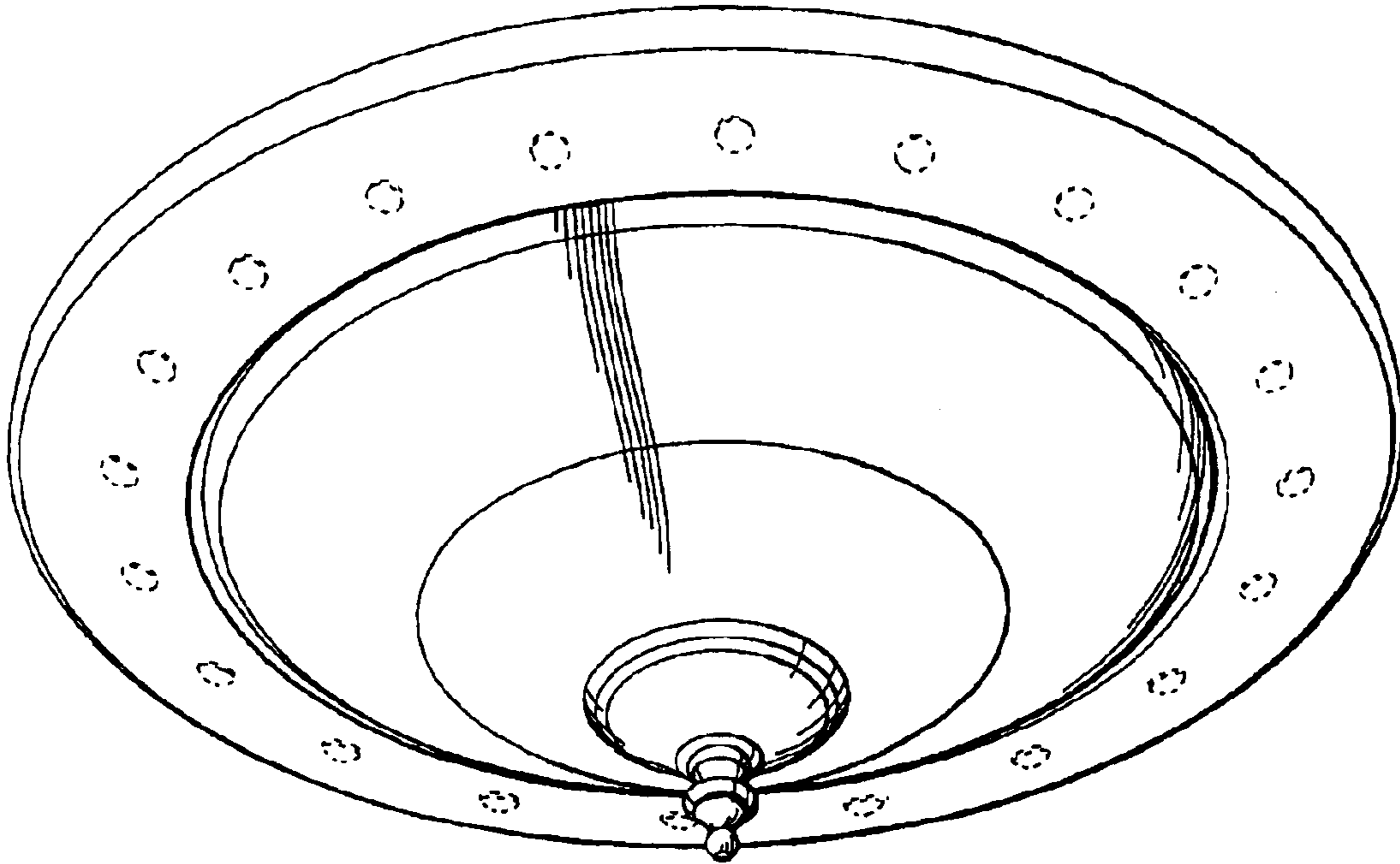


Fig. 2

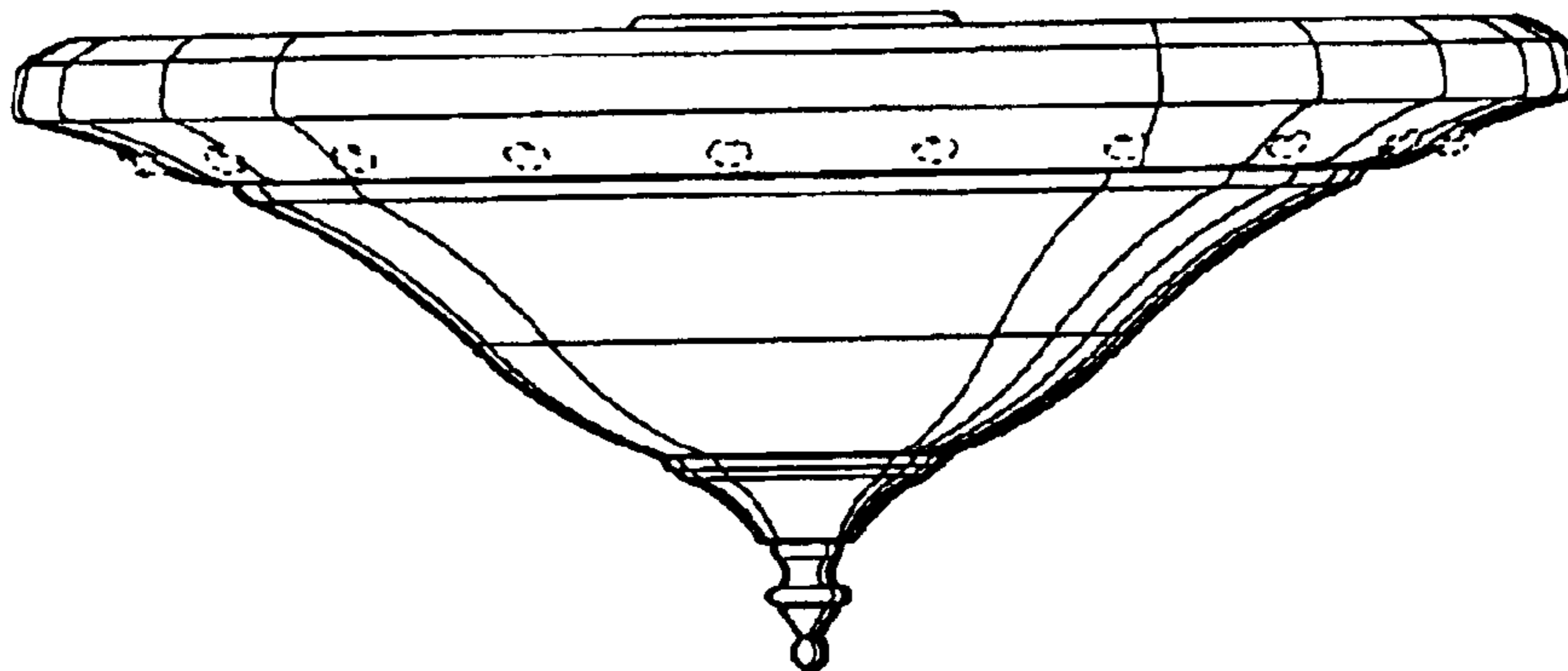


Fig. 3

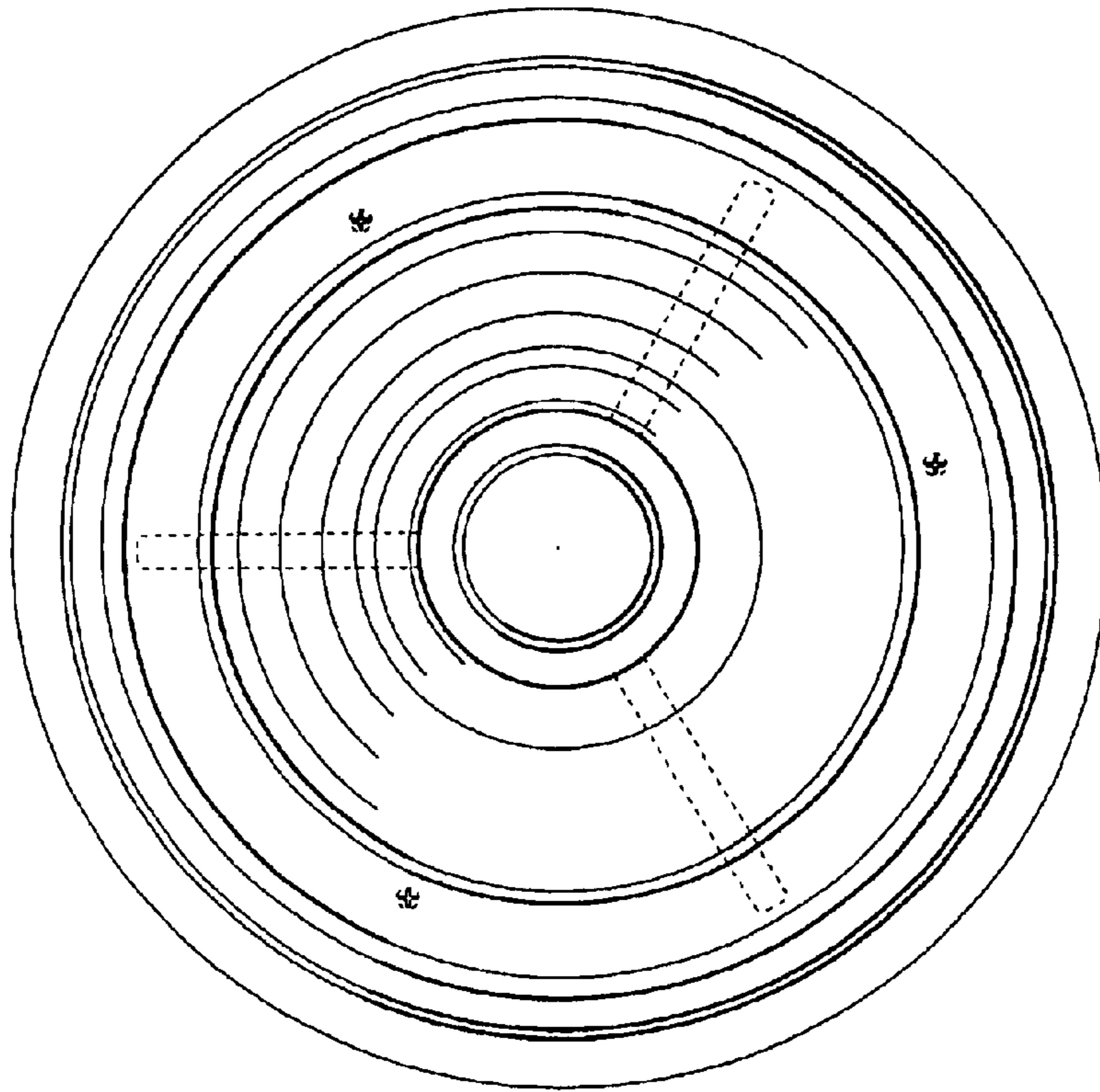


Fig. 4

