

US00D496486S1

(12) **United States Design Patent**  
**Kan**

(10) **Patent No.:** **US D496,486 S**

(45) **Date of Patent:** **\*\* Sep. 21, 2004**

(54) **LINKABLE FLUORESCENT LIGHT**

(75) **Inventor:** **Chi Hang Kan, Kwai Chung (HK)**

(73) **Assignee:** **Luen Yick Electrical Mfg. Co., Ltd.,  
New Territories (HK)**

(\*\*) **Term:** **14 Years**

(21) **Appl. No.:** **29/186,013**

(22) **Filed:** **Jul. 9, 2003**

(51) **LOC (7) Cl. .... 26-03**

(52) **U.S. Cl. .... D26/76; D26/60**

(58) **Field of Search .... D26/72, 75-79,  
D26/60; 362/217-225**

(56) **References Cited**

**U.S. PATENT DOCUMENTS**

D130,059 S	*	10/1941	Herr	.....	D26/78
2,505,864 A	*	5/1950	Kelman	.....	362/217
D163,762 S	*	6/1951	McCann	.....	D26/76
D295,329 S	*	4/1988	Roos et al.	.....	D26/75
5,702,176 A	*	12/1997	Engle	.....	362/219

5,765,939 A	*	6/1998	Tanner, Jr.	.....	362/219
D396,122 S	*	7/1998	Noh	.....	D26/76
D424,230 S	*	5/2000	Noh	.....	D26/76
D438,326 S	*	2/2001	Kan	.....	D26/76

\* cited by examiner

*Primary Examiner*—Clare E Heflin

(74) *Attorney, Agent, or Firm*—Rabin & Berdo, P.C.

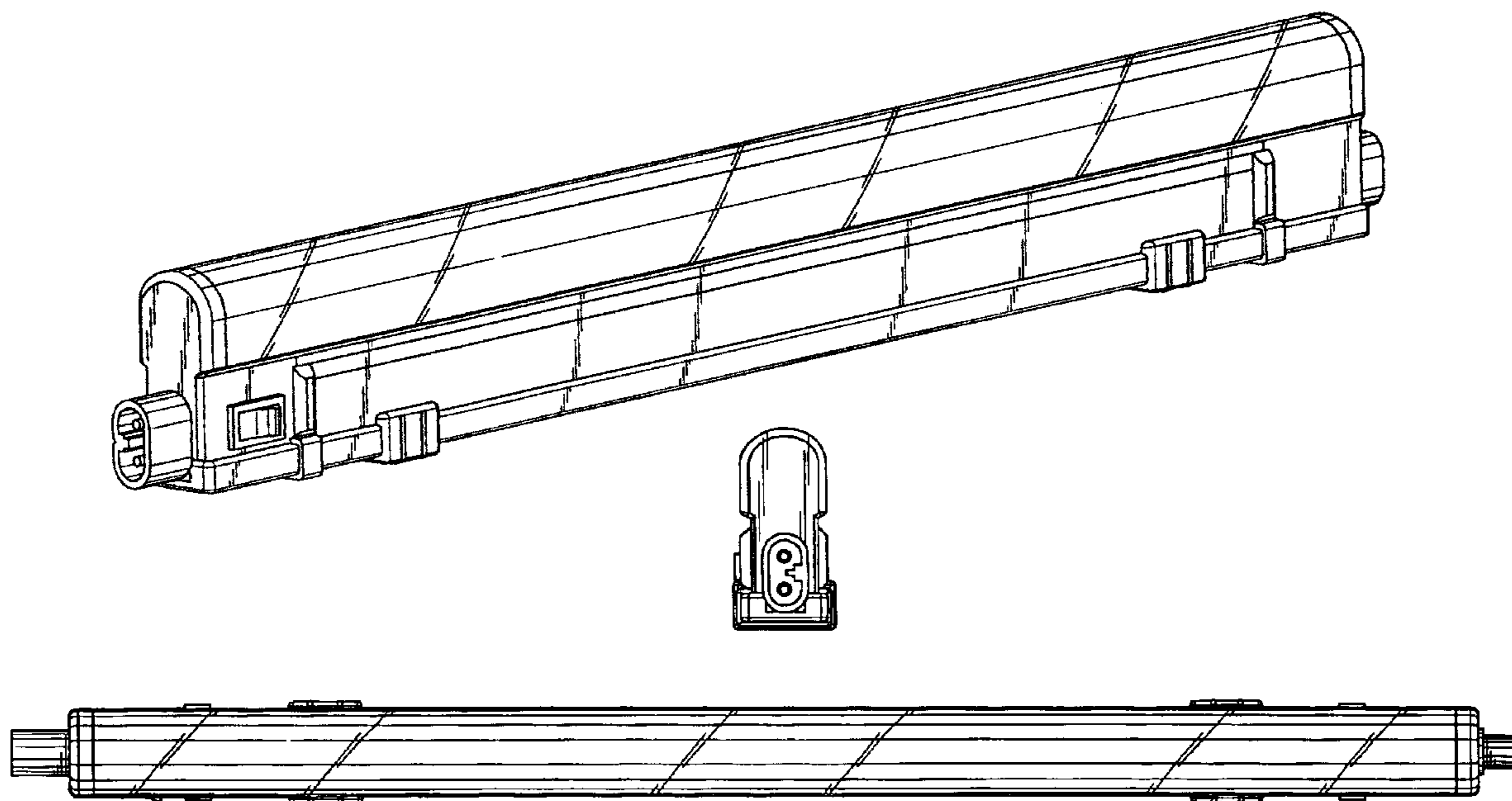
(57) **CLAIM**

The ornamental design for a linkable fluorescent light, as shown and described.

**DESCRIPTION**

FIG. 1 is a perspective view of a linkable fluorescent light showing my new design;  
 FIG. 2 is a front view thereof;  
 FIG. 3 is a rear view thereof;  
 FIG. 4 is a left side view thereof;  
 FIG. 5 is a right side view thereof;  
 FIG. 6 is a top plan view thereof; and,  
 FIG. 7 is a bottom plan view thereof.

**1 Claim, 3 Drawing Sheets**



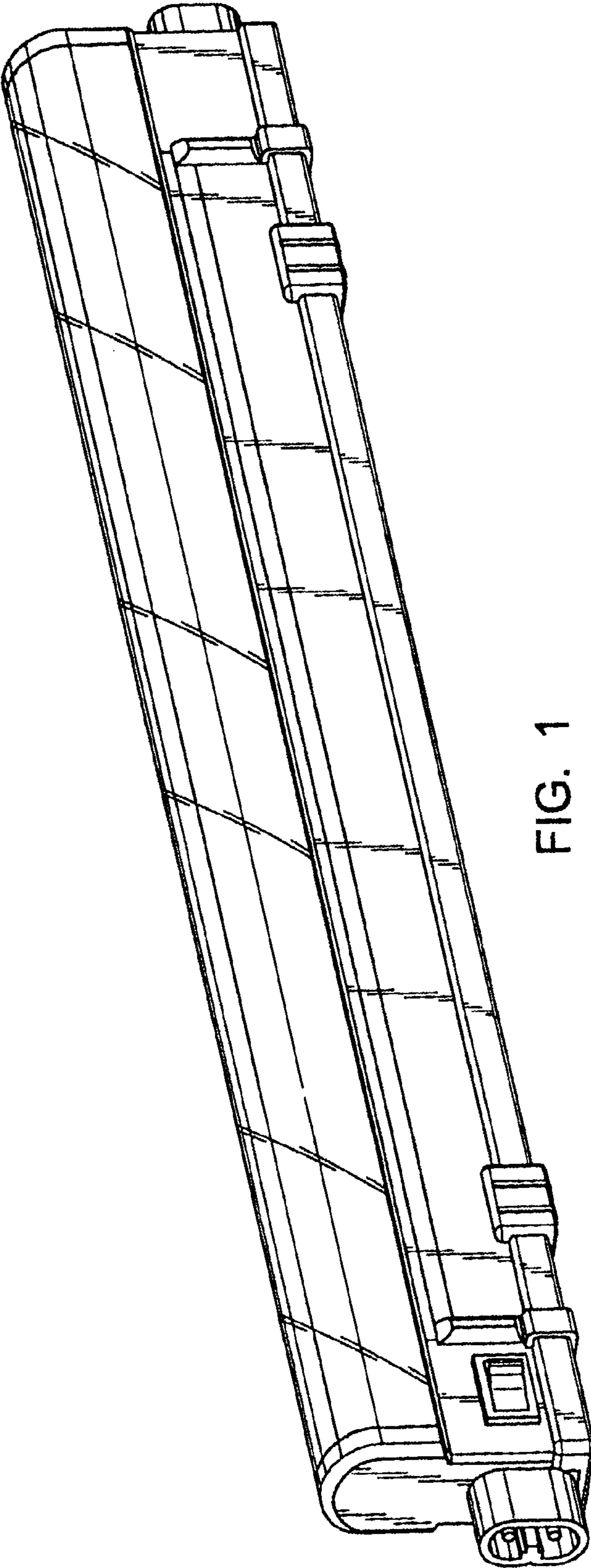


FIG. 1

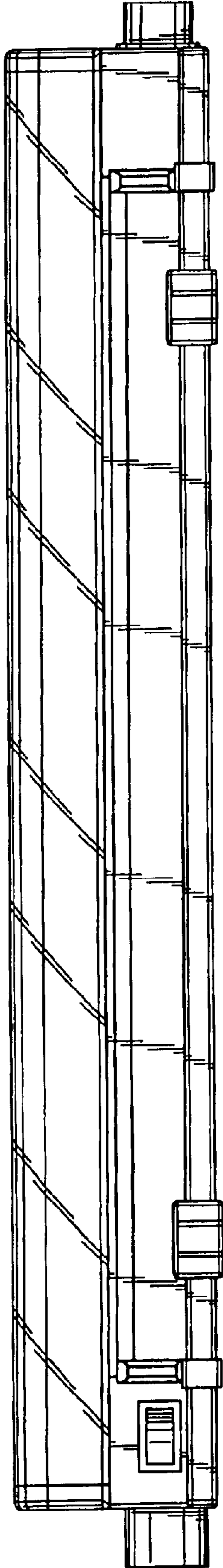


FIG. 2

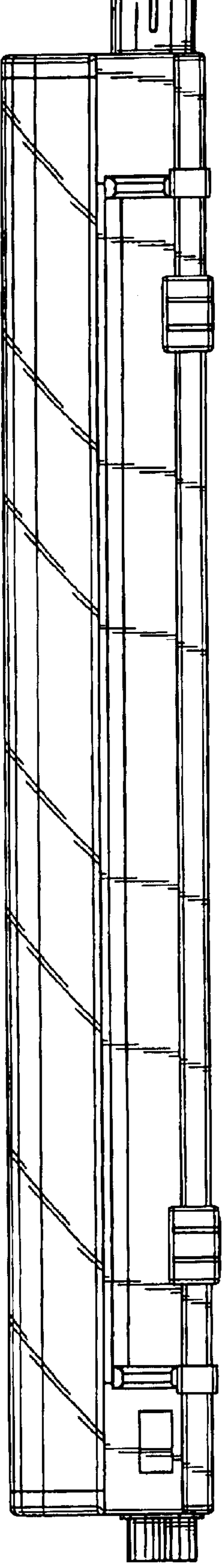


FIG. 3

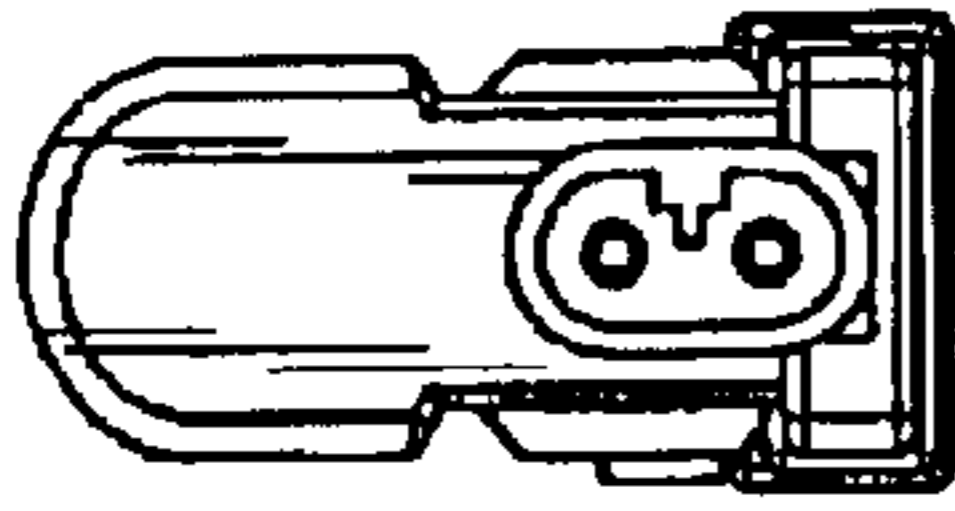


FIG. 4

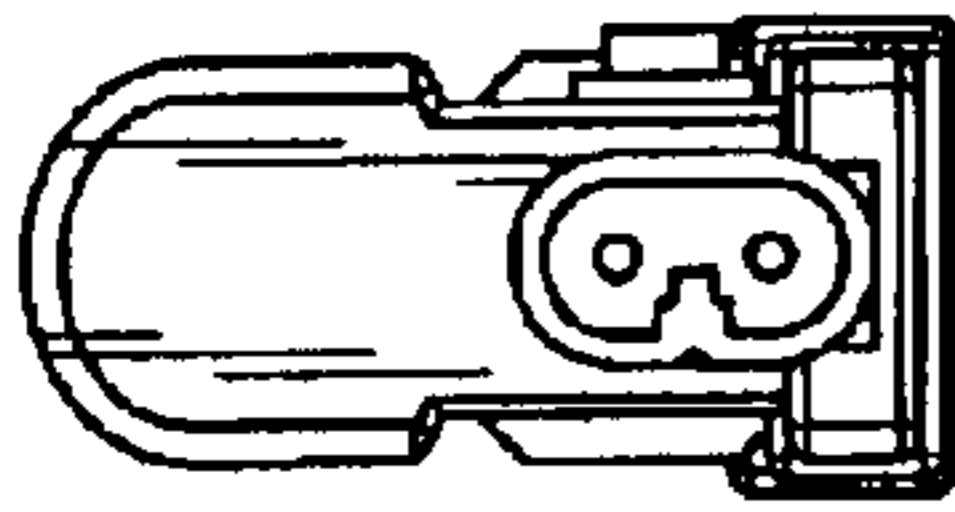


FIG. 5



FIG. 6

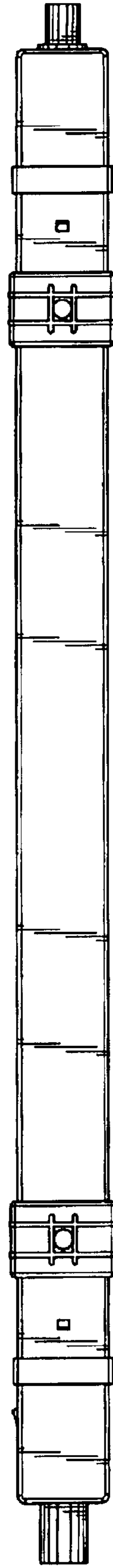


FIG. 7