

US00D496481S1

(12) **United States Design Patent**
Wiesmeth

(10) **Patent No.:** **US D496,481 S**

(45) **Date of Patent:** **** Sep. 21, 2004**

(54) **FLASHLIGHT**

(75) **Inventor:** **Stefan R. Wiesmeth**, Brooklyn, NY
(US)

(73) **Assignee:** **Reel-Talk, Inc.**, Irvine, CA (US)

(**) **Term:** **14 Years**

(21) **Appl. No.:** **29/193,116**

(22) **Filed:** **Nov. 4, 2003**

(51) **LOC (7) Cl.** **26-02**

(52) **U.S. Cl.** **D26/49**

(58) **Field of Search** D26/37-50; 362/157,
362/158, 171-174, 183-208

(56) **References Cited**

U.S. PATENT DOCUMENTS

D449,395 S	*	10/2001	Dalton et al.	D26/49
D450,404 S	*	11/2001	Kit	D26/49
D480,167 S	*	9/2003	Man	D26/49

D482,151 S * 11/2003 Shiu D26/49

* cited by examiner

Primary Examiner—Marcus A. Jackson

(74) *Attorney, Agent, or Firm*—Cohen Sakaguchi &
English LLP

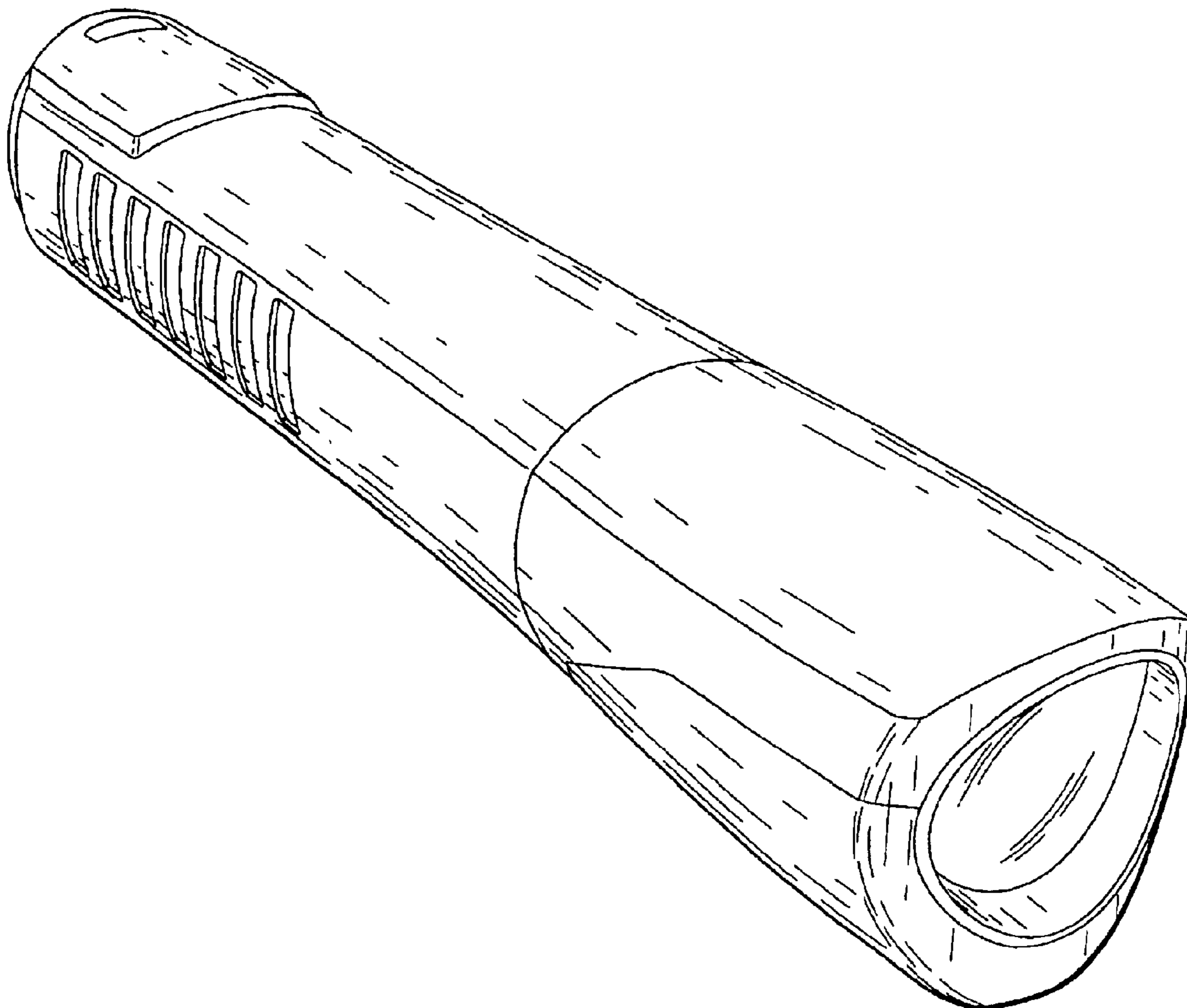
(57) **CLAIM**

The ornamental design for the flashlight, as shown and described.

DESCRIPTION

FIG. 1 is a top perspective view of the flashlight;
FIG. 2 is a bottom perspective view of the flashlight;
FIG. 3 is an upside-down front elevation view of the flashlight;
FIG. 4 is an upside-down rear elevation view of the flashlight;
FIG. 5 is an upside-down side elevation view of the flashlight, which is the same for right and left sides;
FIG. 6 is a top plan view of the flashlight; and,
FIG. 7 is a bottom plan view of the flashlight.

1 Claim, 3 Drawing Sheets



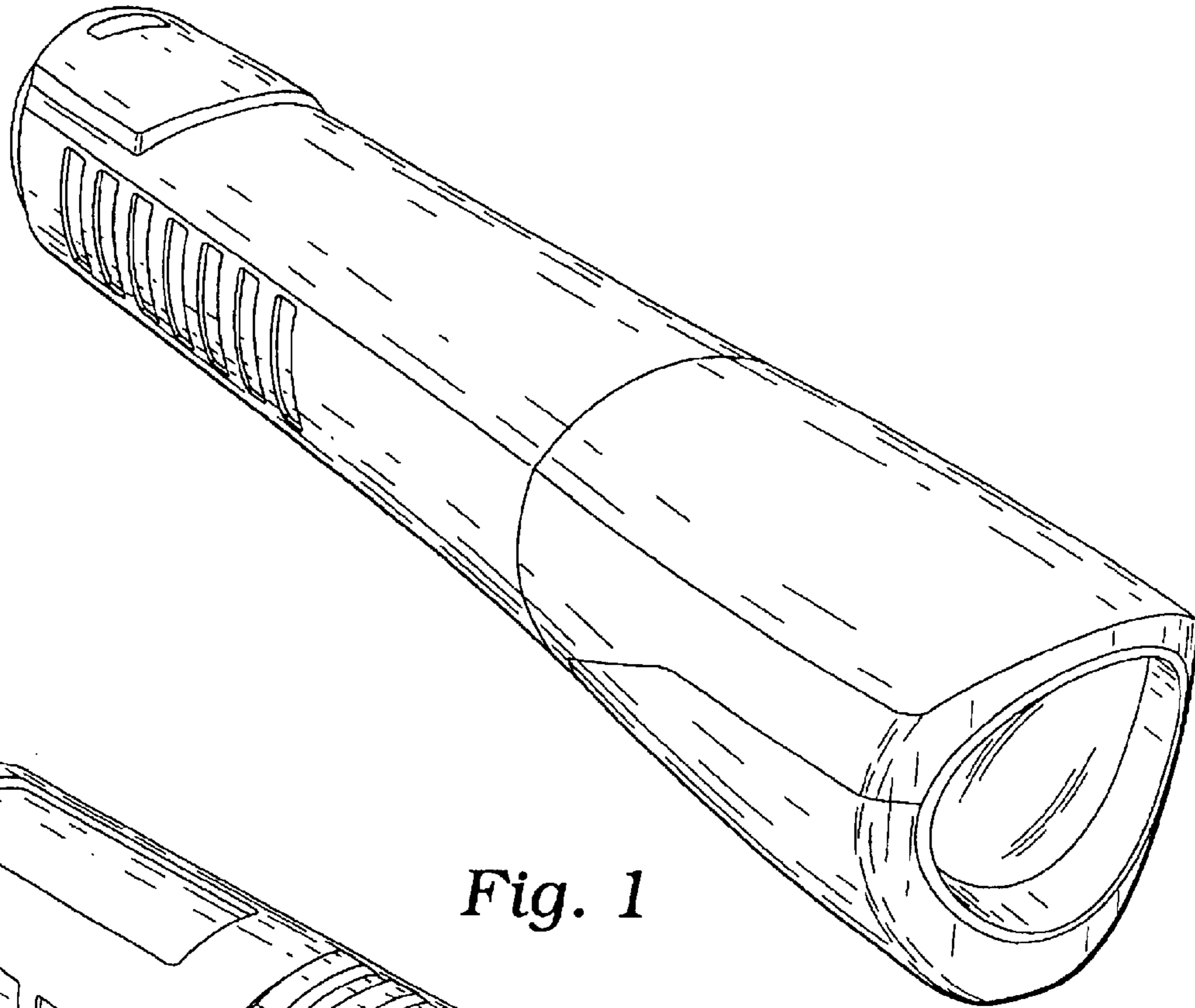


Fig. 1

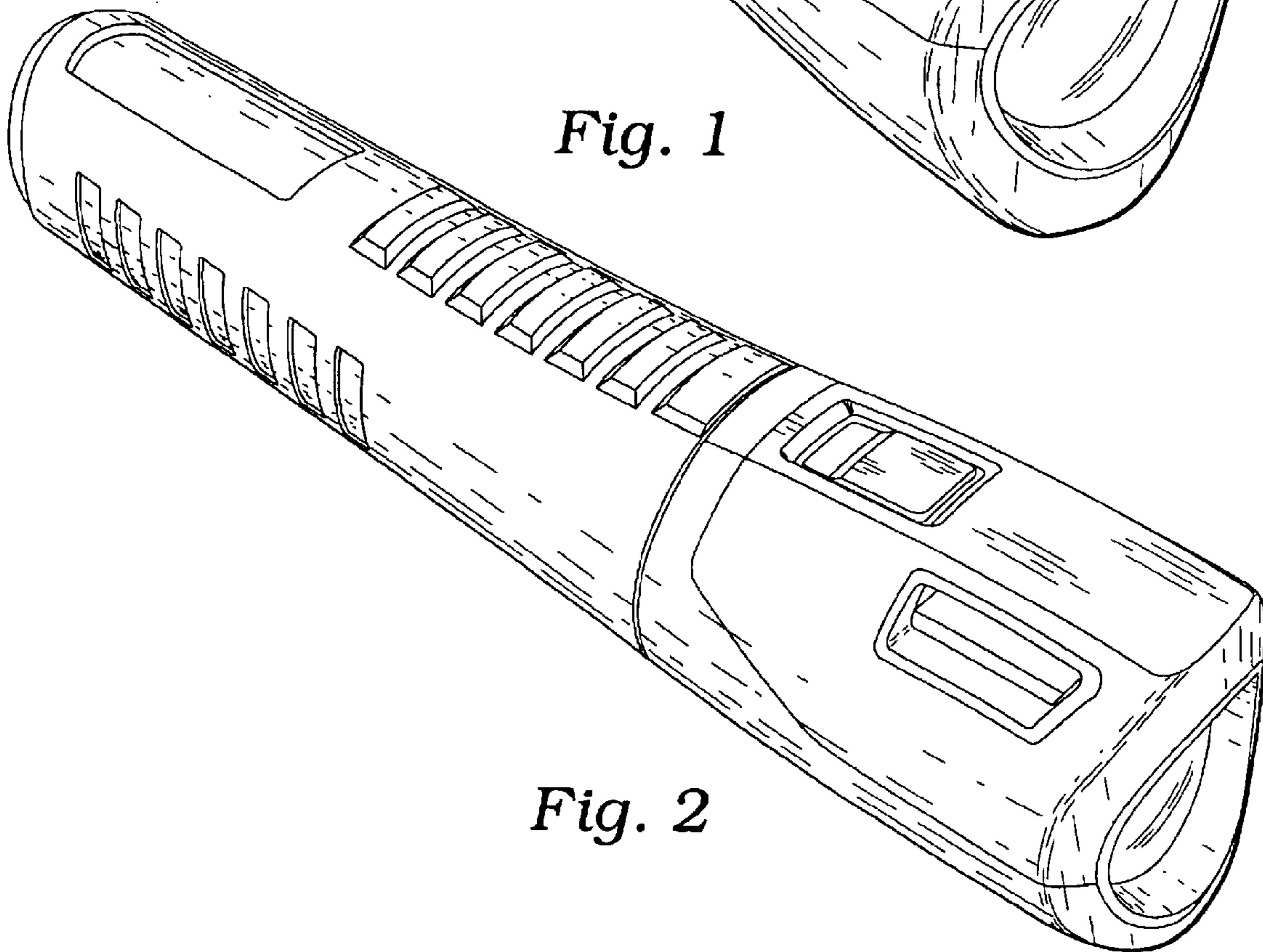


Fig. 2

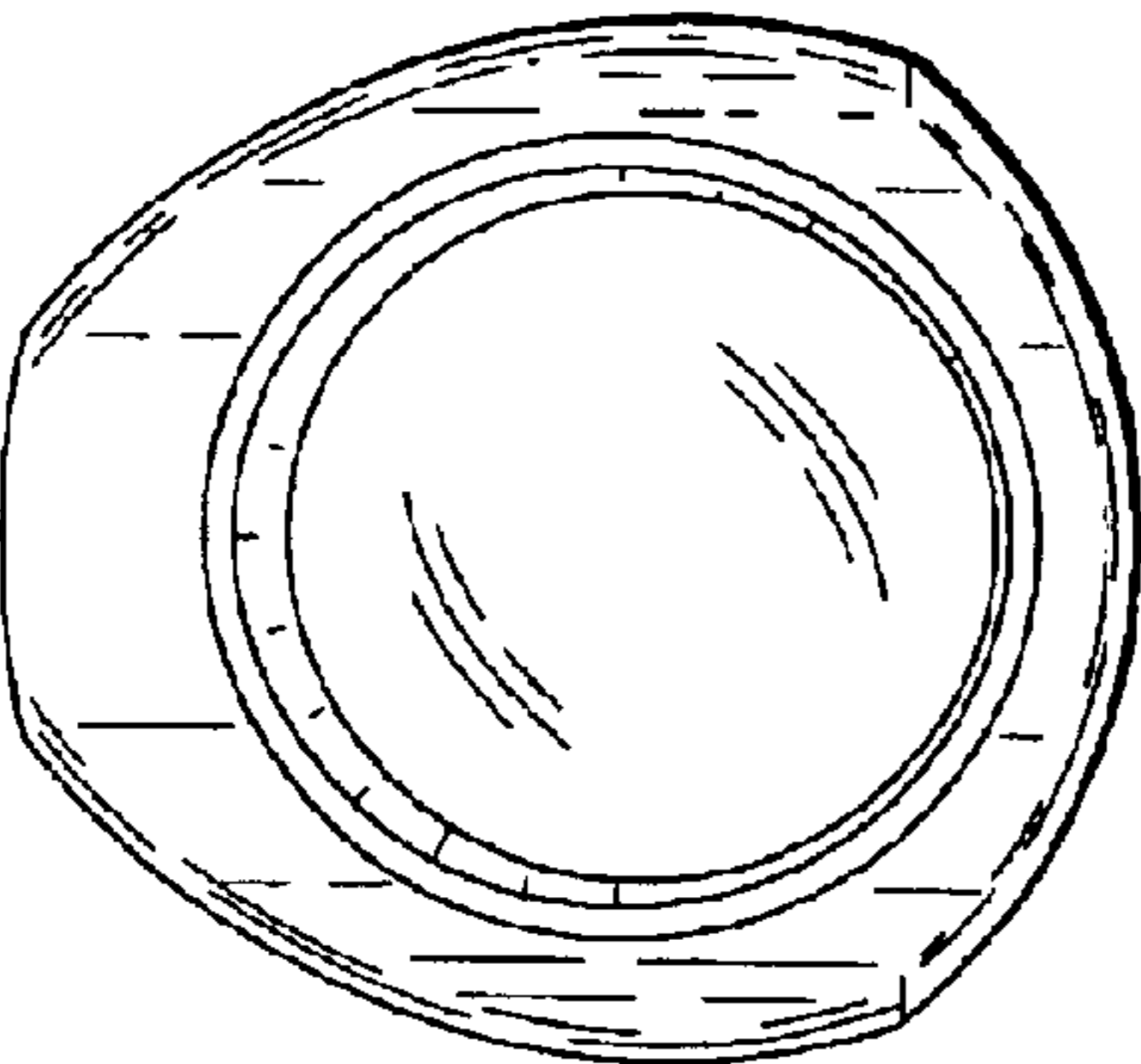


Fig. 3

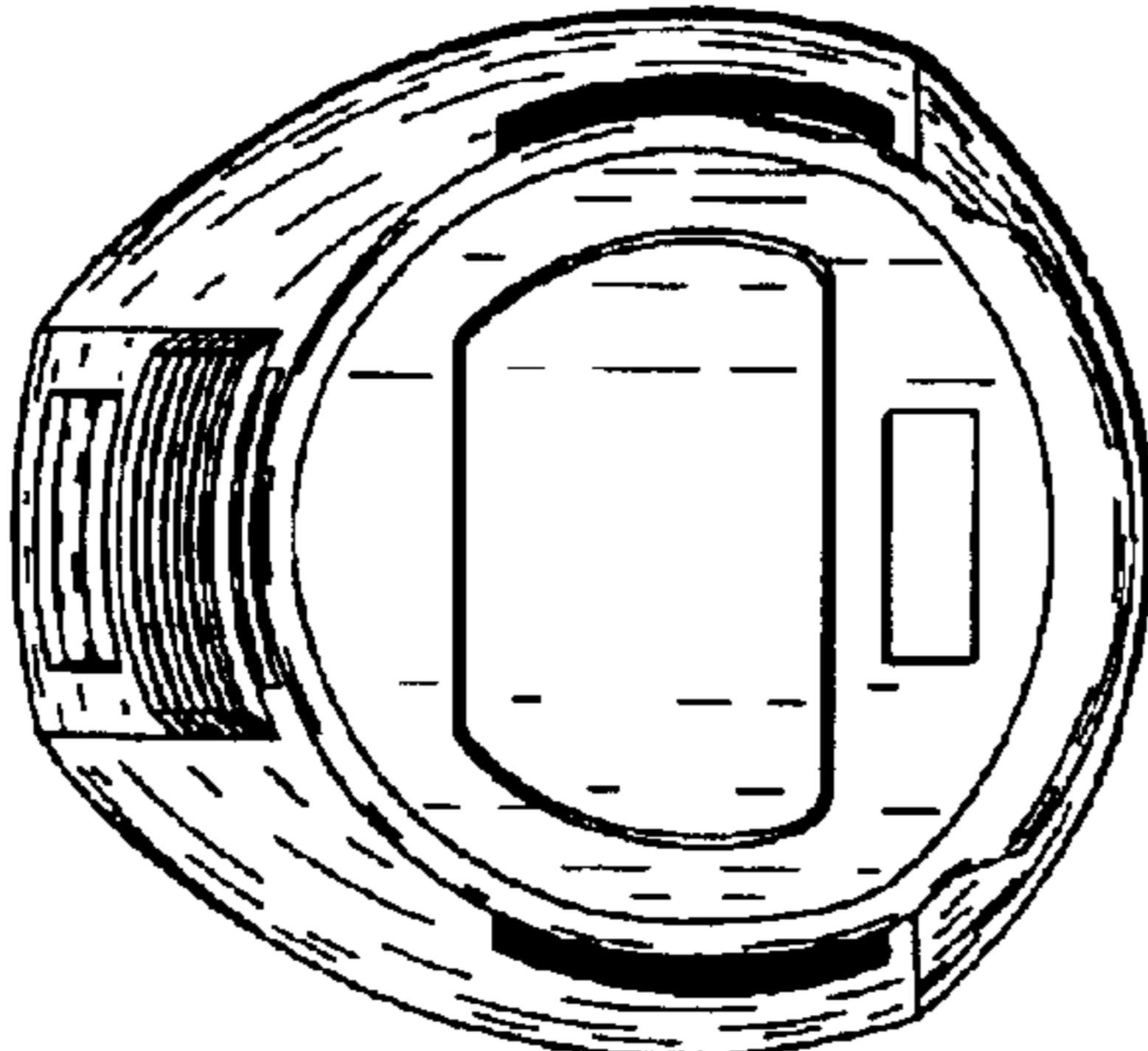


Fig. 4

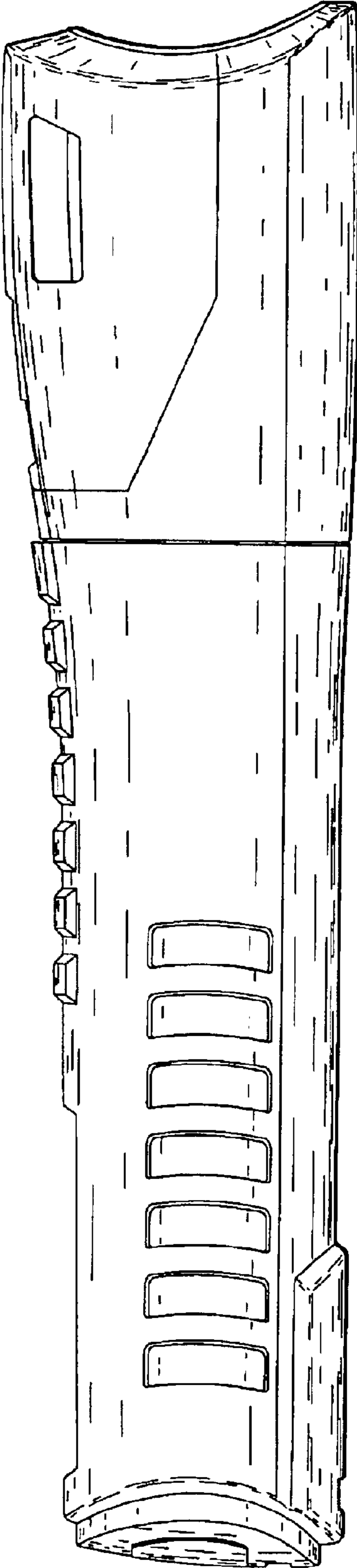


Fig. 5

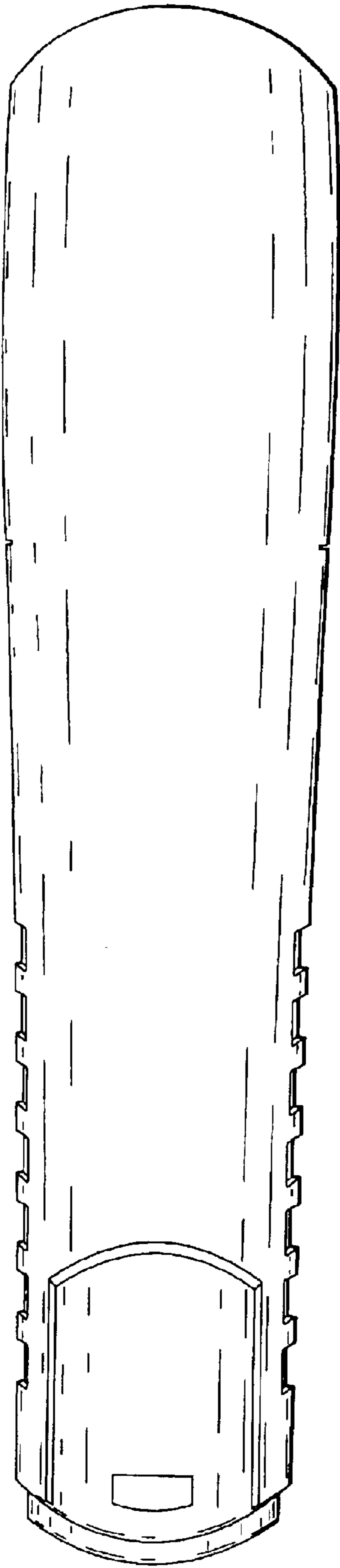


Fig. 6

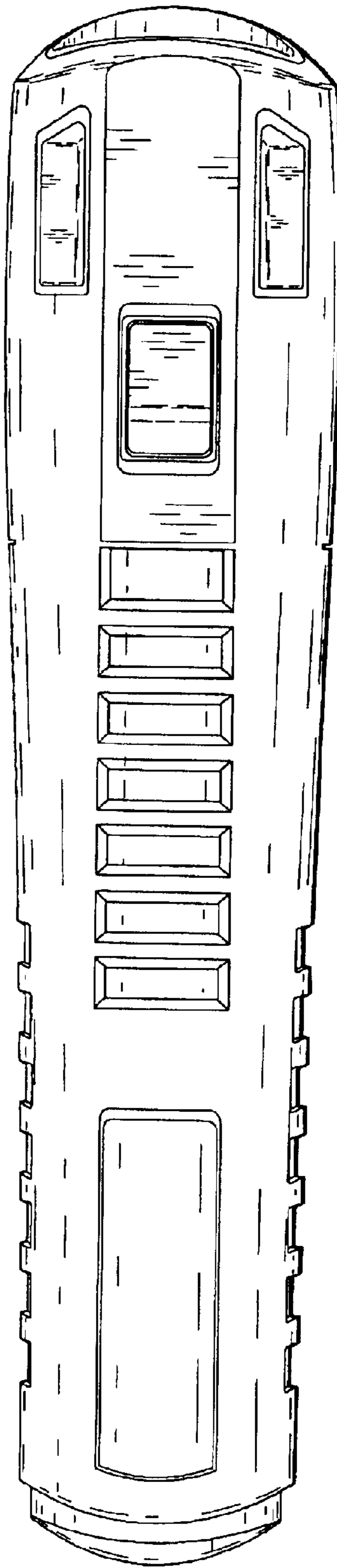


Fig. 7