

US00D496479S1

(12) **United States Design Patent**
Ashfield

(10) **Patent No.:** **US D496,479 S**

(45) **Date of Patent:** **** Sep. 21, 2004**

(54) **LED FLASHLIGHT**

(75) **Inventor:** **Lea Antony Ashfield, New Territories (HK)**

(73) **Assignee:** **OneWorld Enterprises Limited, Kowloon (HK)**

(**) **Term:** **14 Years**

(21) **Appl. No.:** **29/195,387**

(22) **Filed:** **Dec. 11, 2003**

(51) **LOC (7) Cl.** **26-02**

(52) **U.S. Cl.** **D26/37**

(58) **Field of Search** **D26/37-50; 362/157, 362/158, 171-174, 183-208**

(56) **References Cited**

U.S. PATENT DOCUMENTS

- D438,313 S * 2/2001 Tam D26/37
- D439,688 S * 3/2001 Suzuki D26/37
- D448,505 S * 9/2001 Dalton et al. D26/37

- D457,670 S * 5/2002 Allen D26/37
- D475,149 S * 5/2003 Chun D26/37
- D484,625 S * 12/2003 Chang D26/37

* cited by examiner

Primary Examiner—Marcus A. Jackson

(74) *Attorney, Agent, or Firm*—Burns, Doane, Swecker & Mathis, L.L.P.

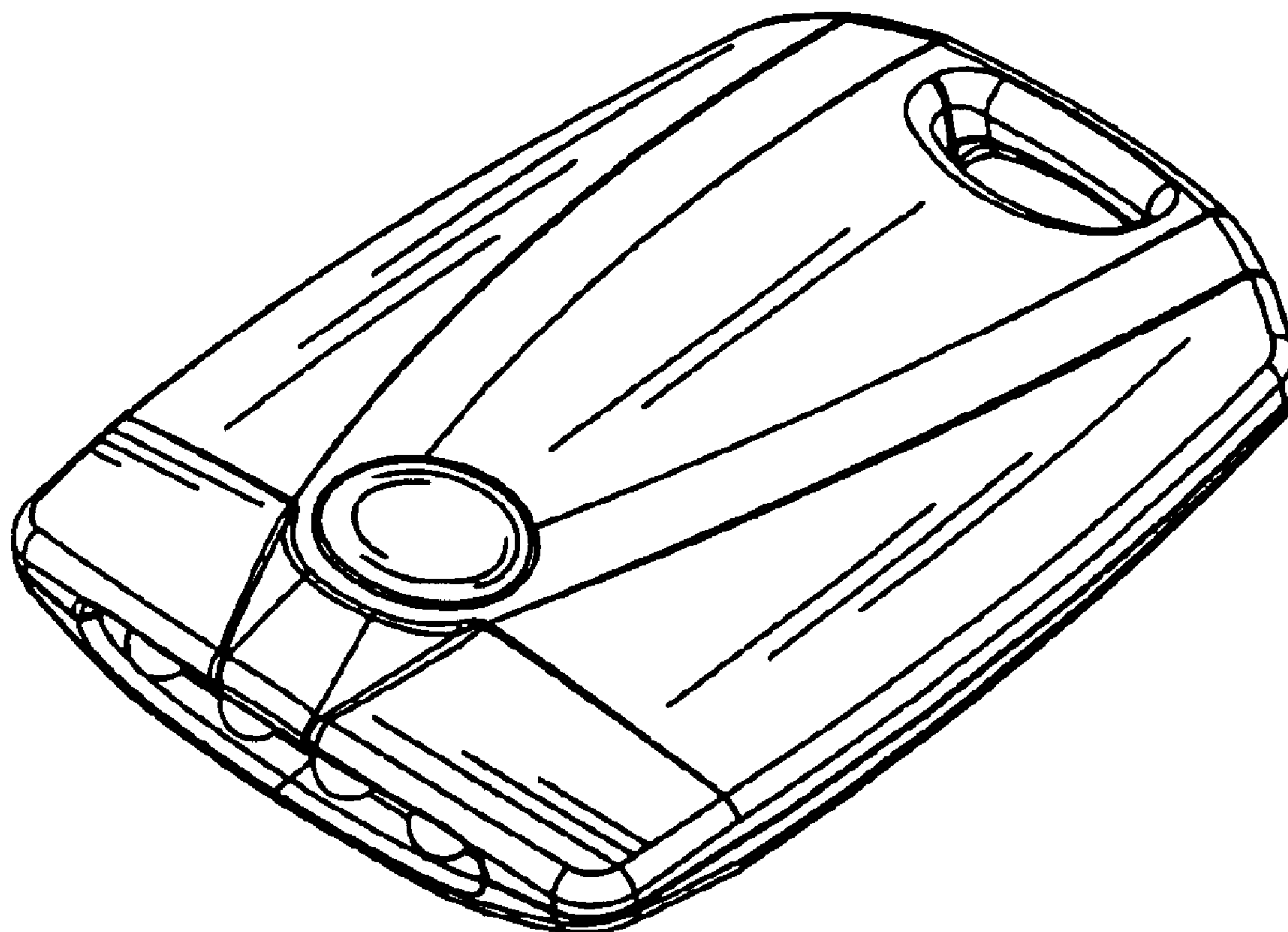
(57) **CLAIM**

The ornamental design for a “LED flashlight”, as shown and described.

DESCRIPTION

FIG. 1 is a front view of a “LED flashlight” showing my design;
 FIG. 2 is a rear side view thereof;
 FIG. 3 is a left side view thereof;
 FIG. 4 is a right side view thereof;
 FIG. 5 is a top plan view thereof;
 FIG. 6 is a bottom view thereof; and,
 FIG. 7 is a perspective view thereof.

1 Claim, 2 Drawing Sheets



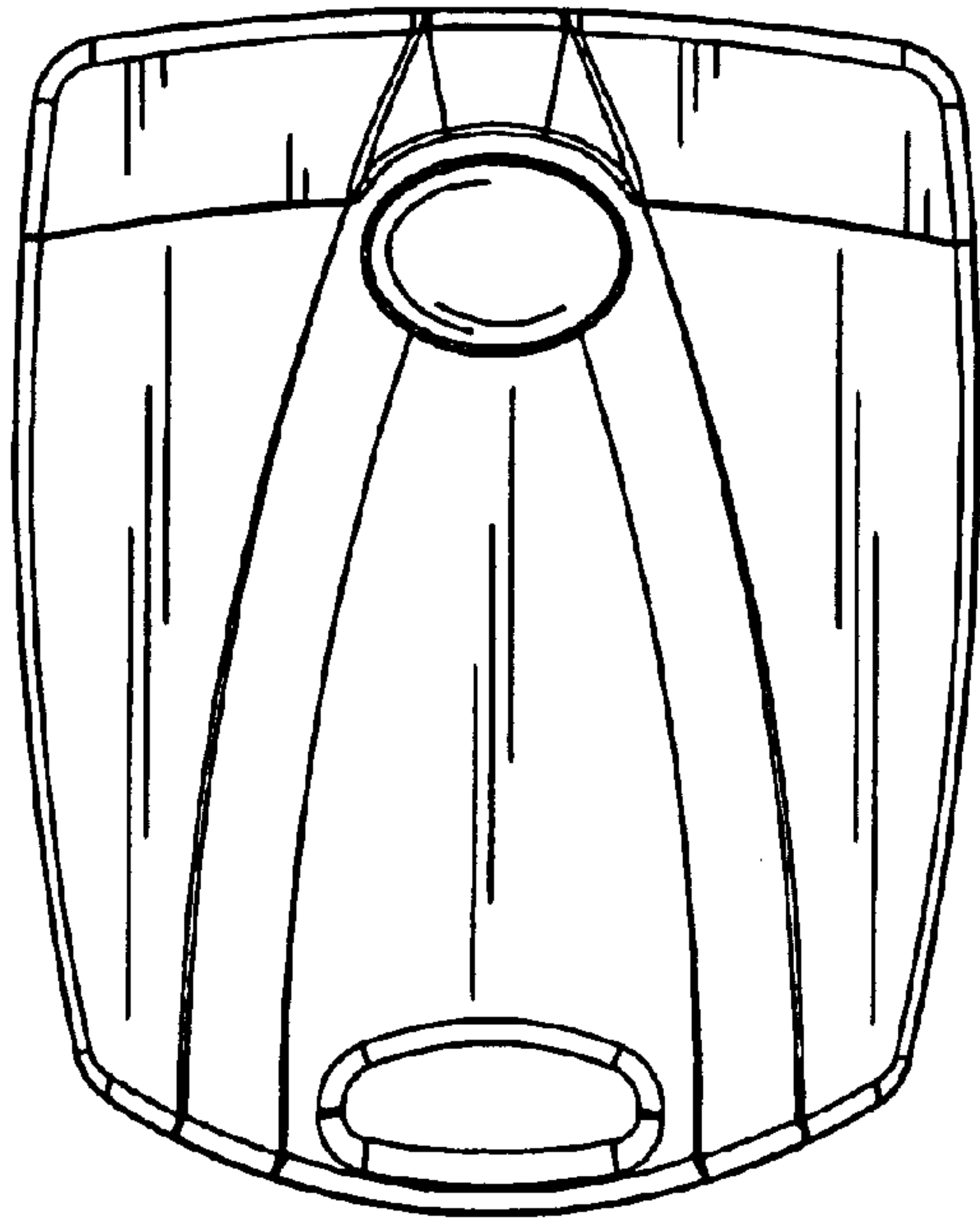


Fig. 1

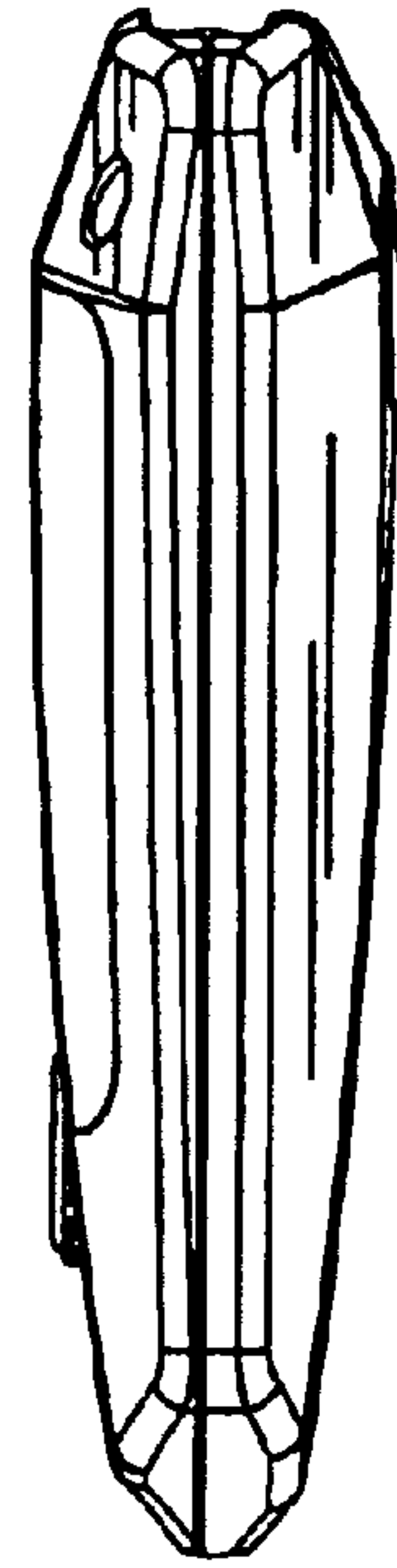


Fig. 3

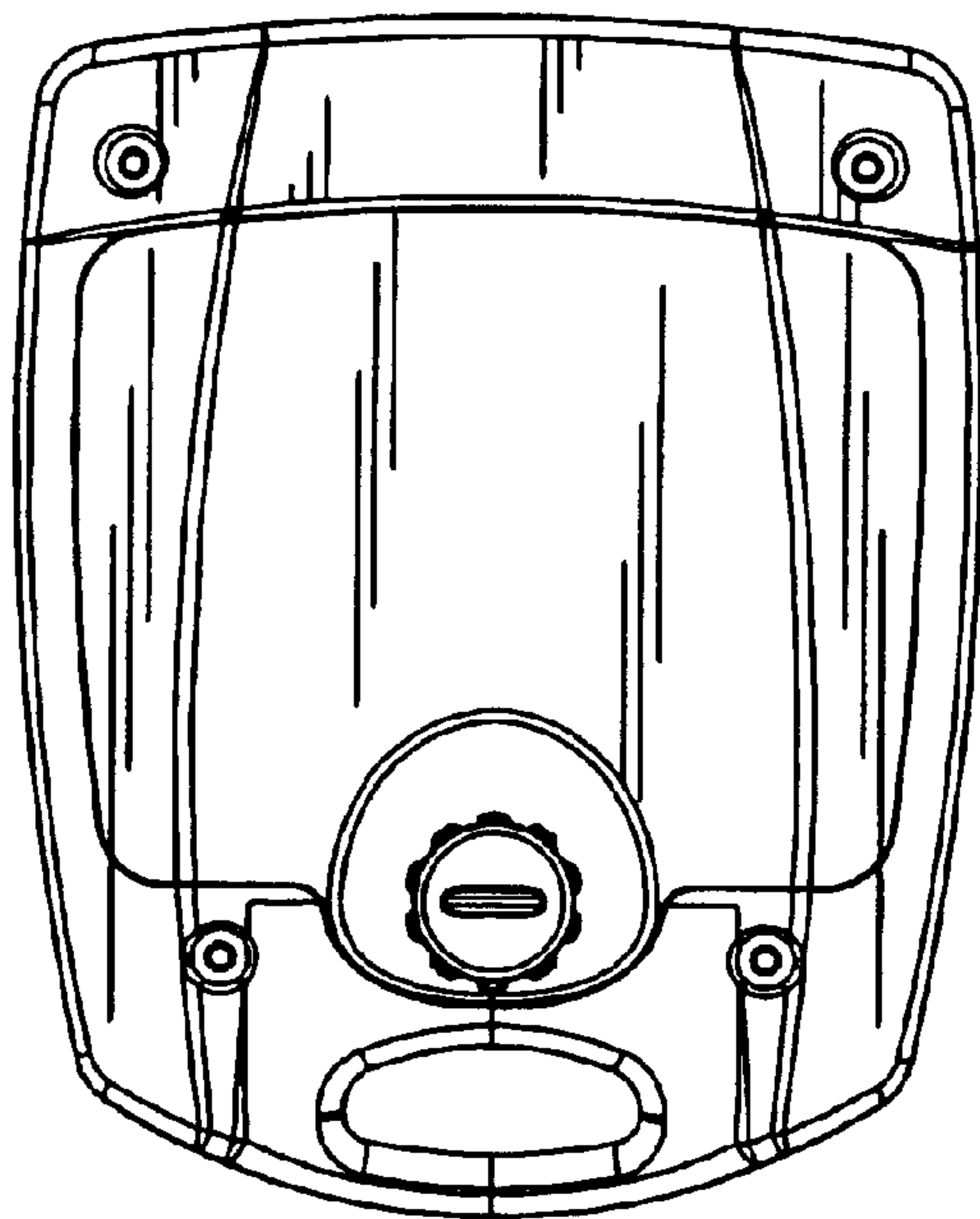


Fig. 2

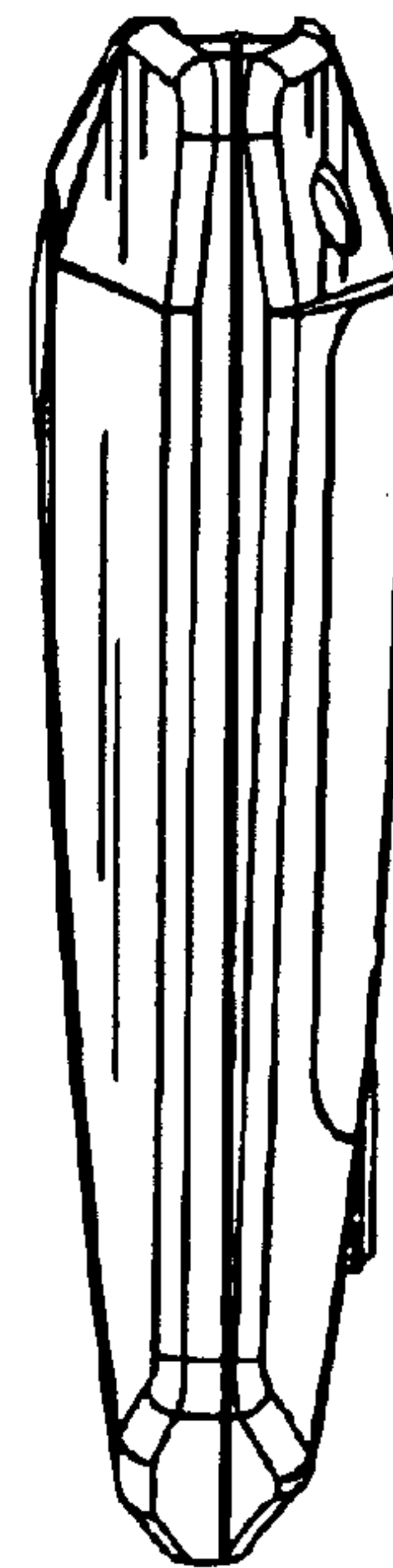


Fig. 4

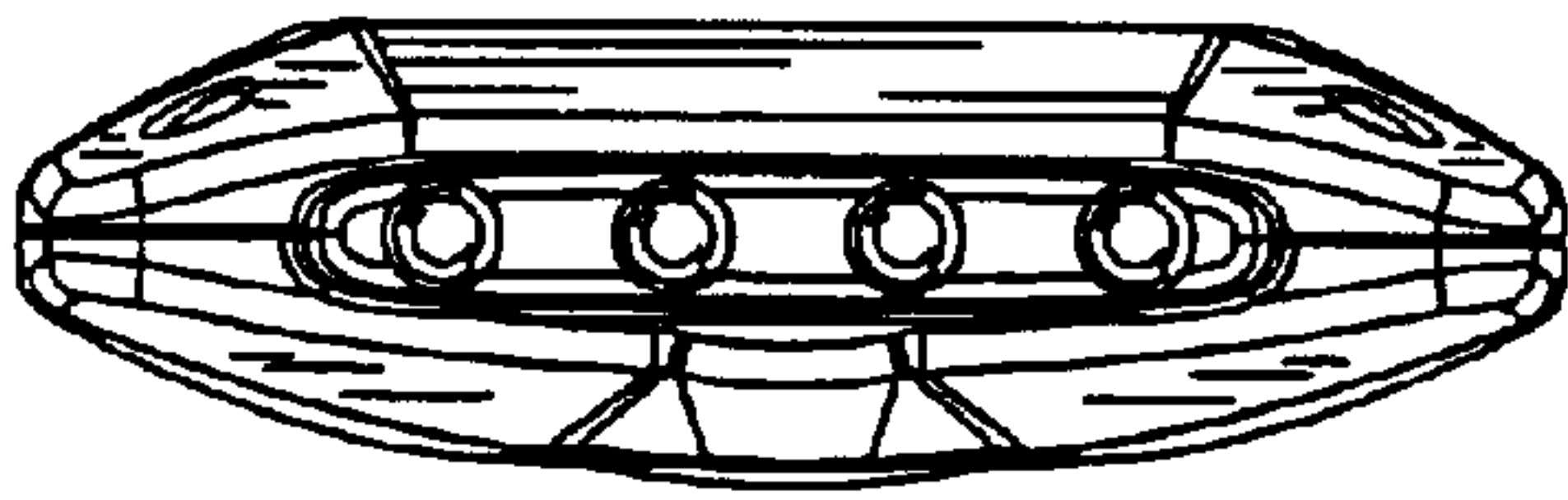


Fig. 5

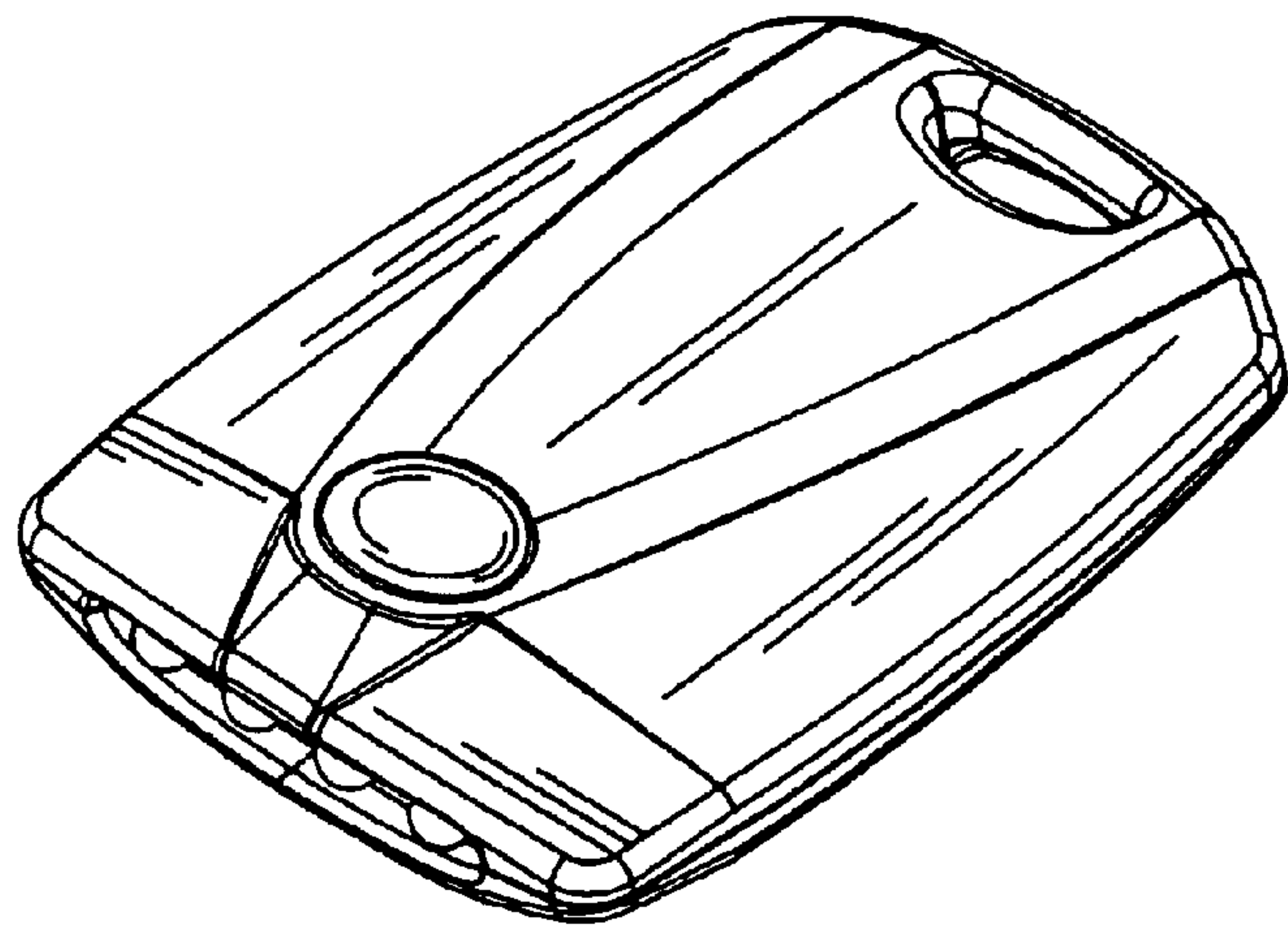


Fig. 7

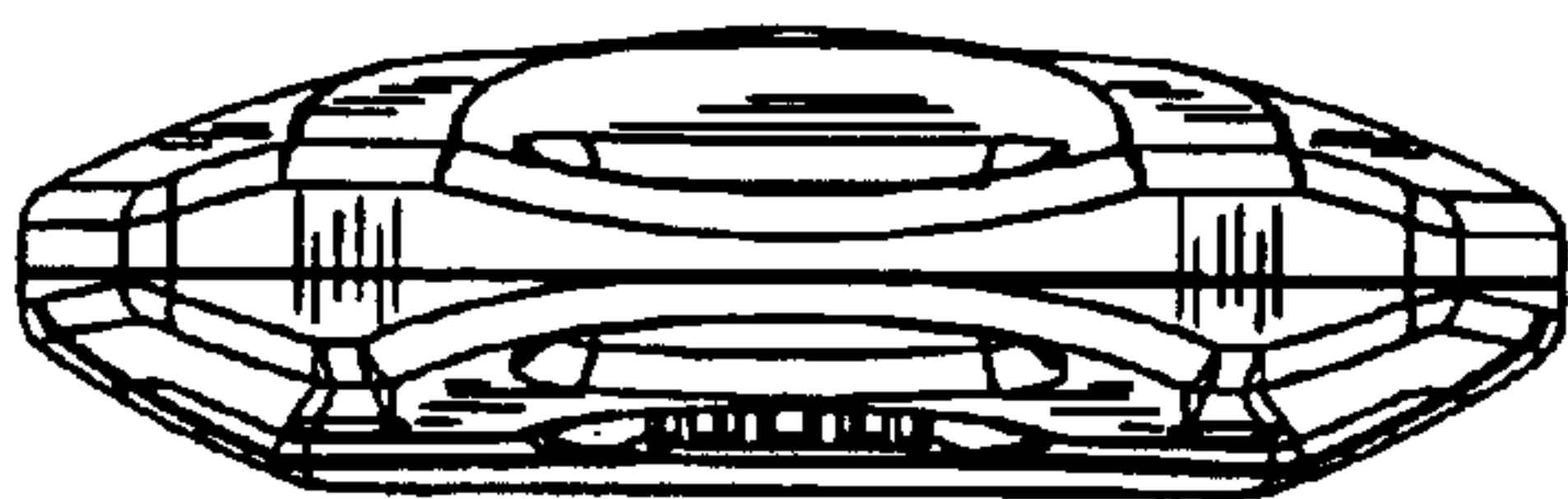


Fig. 6