

US00D496471S1

(12) **United States Design Patent**
Fergusson

(10) **Patent No.:** **US D496,471 S**

(45) **Date of Patent:** **** Sep. 21, 2004**

(54) **THREADED ROD**

D381,185 S * 7/1997 Hauser et al. D25/125
5,729,952 A * 3/1998 Dahl 52/740.7

(75) **Inventor:** **Jeffrey Robert Fergusson**, New South
Wales (AU)

* cited by examiner

(73) **Assignee:** **Industrial Roll Formers Pty Limited**,
New South Wales (AU)

Primary Examiner—Doris Clark
(74) *Attorney, Agent, or Firm*—Finnegan, Henderson,
Farabow, Garrett & Dunner, L.L.P.

(**) **Term:** **14 Years**

(57) **CLAIM**

(21) **Appl. No.:** **29/171,275**

The ornamental design for a threaded rod, as shown and
described.

(22) **Filed:** **Nov. 20, 2002**

(30) **Foreign Application Priority Data**

May 20, 2002 (AU) 1490/2002

(51) **LOC (7) Cl.** **25-01**

(52) **U.S. Cl.** **D25/125**

(58) **Field of Search** D25/119, 164,
D25/199, 125; 52/740.3, 740.4, 740.5, 740.7,
740.9, 740.8

DESCRIPTION

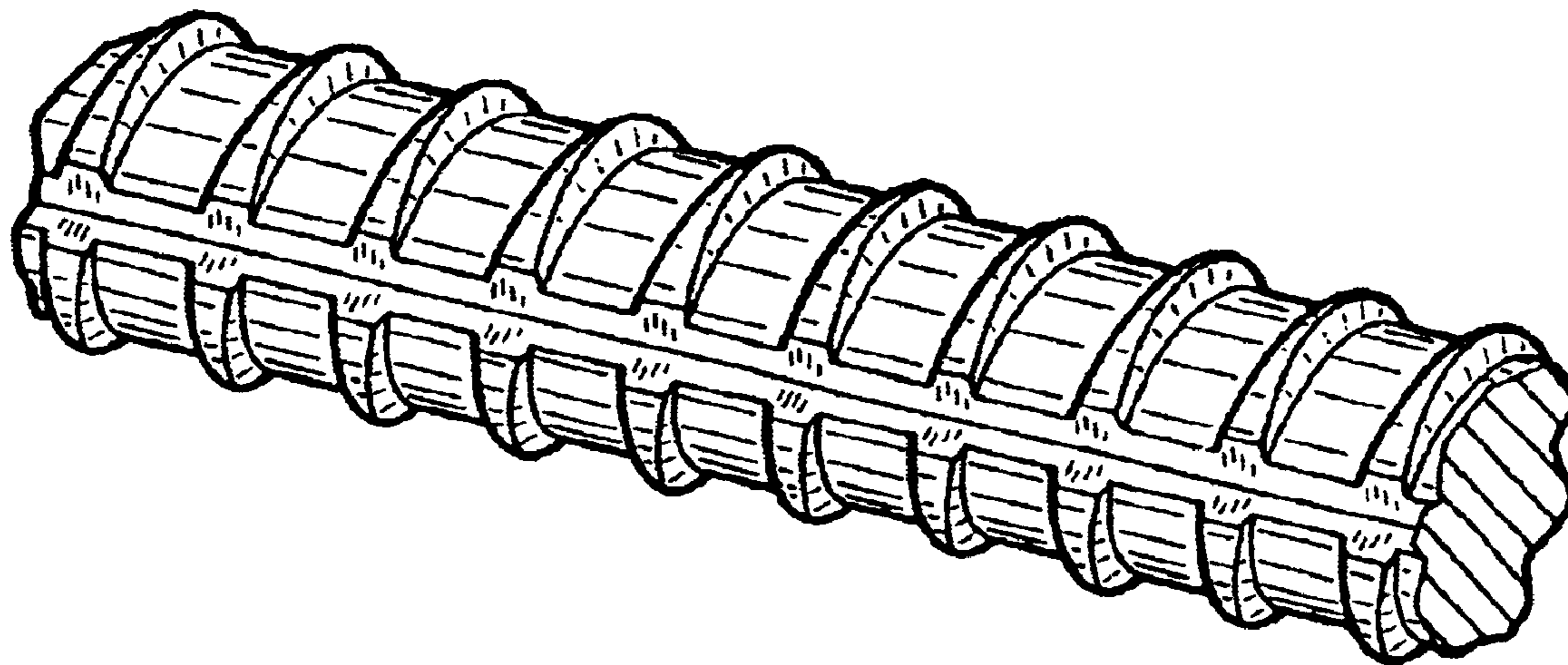
FIG. 1 is a left perspective view of the threaded rod of my
new design, the length of the rod being indeterminate;
FIG. 2 is a right perspective view of the new design, with the
length of the threaded rod being indeterminate;
FIG. 3 is an end view of the new design;
FIG. 4 is the top plan view of the new design, with the length
of the threaded rod being indeterminate;
FIG. 5 is the right side view of the new design, with the
length of the rod being indeterminate; and,
FIG. 6 is a side view of the new design, with the length of
the rod being indeterminate.

(56) **References Cited**

U.S. PATENT DOCUMENTS

3,561,185 A * 2/1971 Finsterwalder et al. D25/164
4,229,501 A * 10/1980 Kern 52/740.5

1 Claim, 2 Drawing Sheets



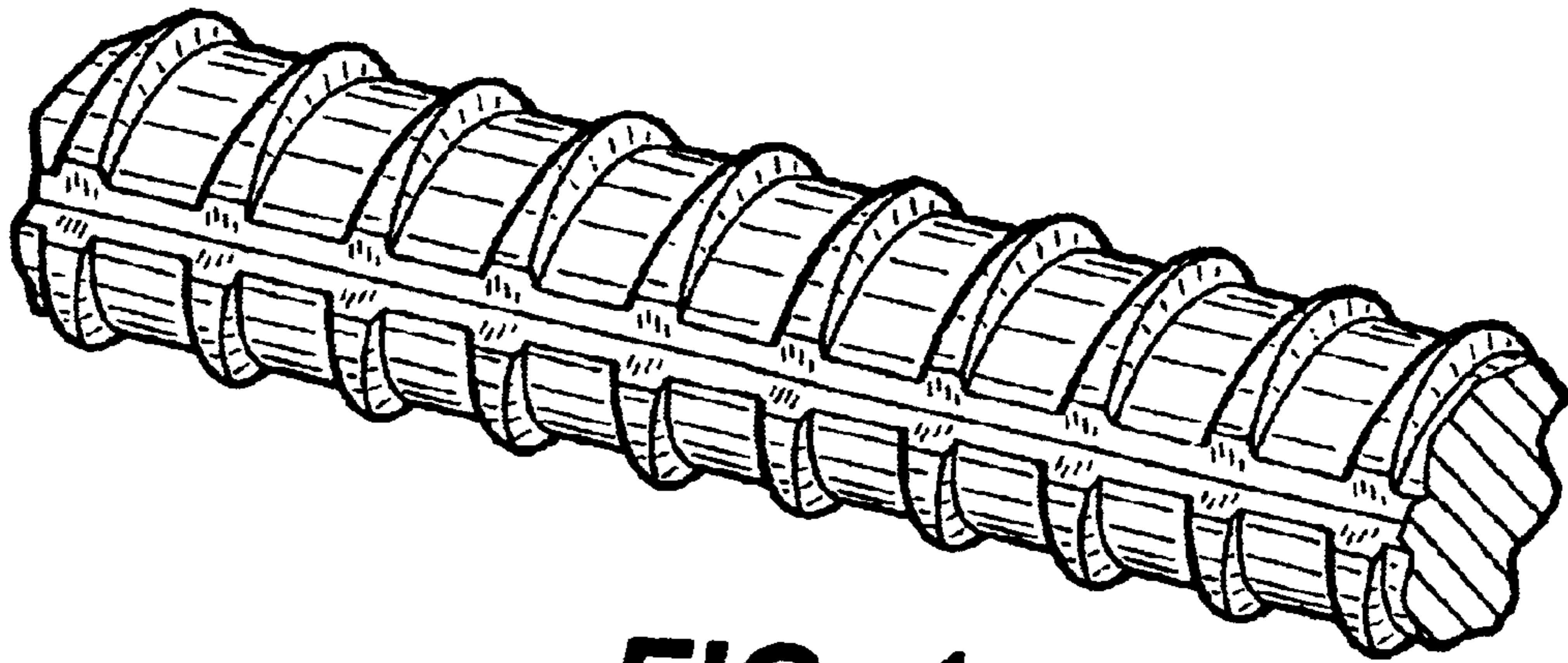


FIG. 1

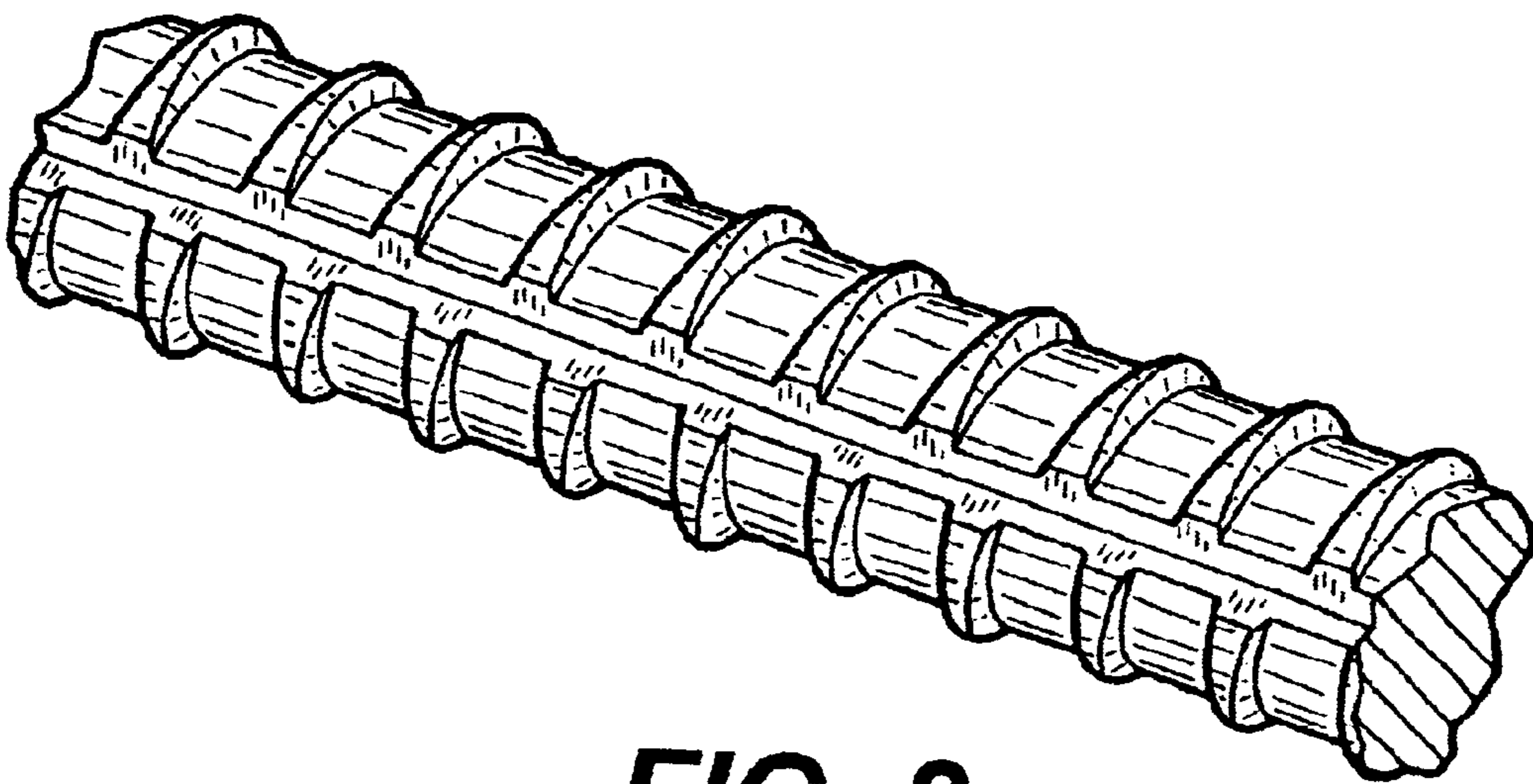


FIG. 2

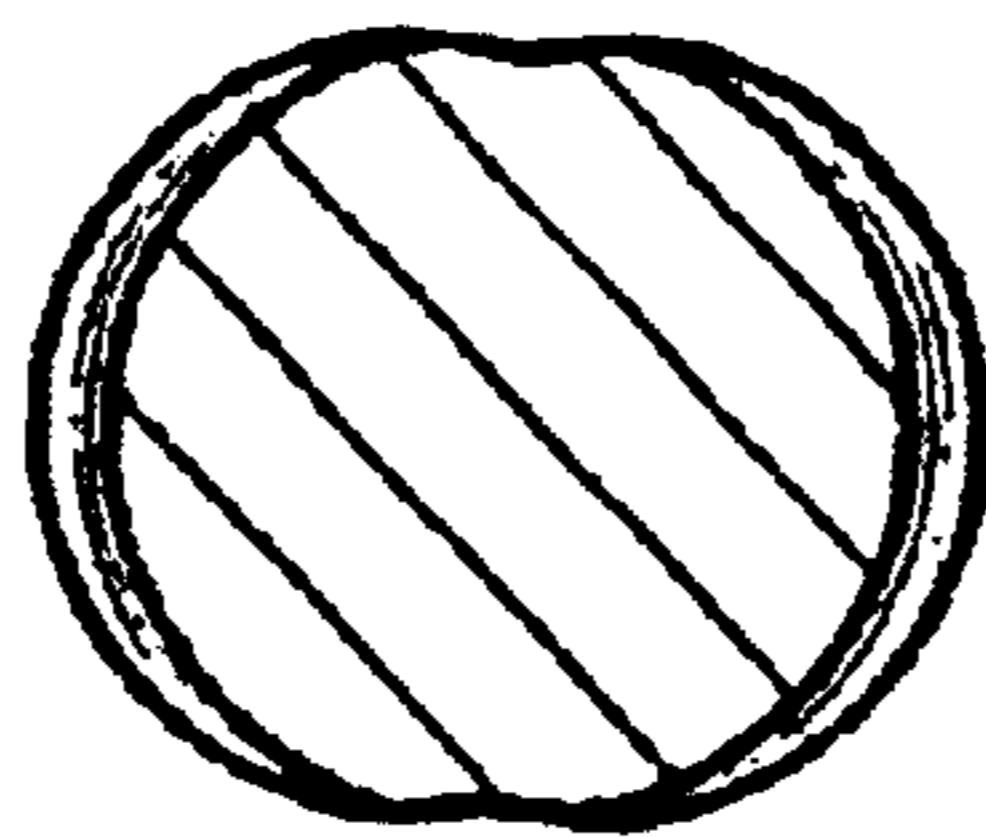


FIG. 3

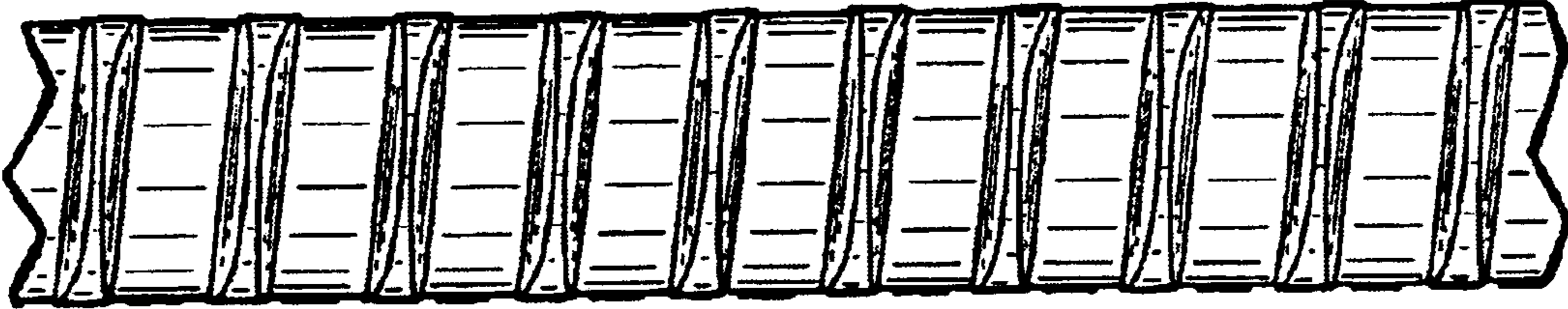


FIG. 4

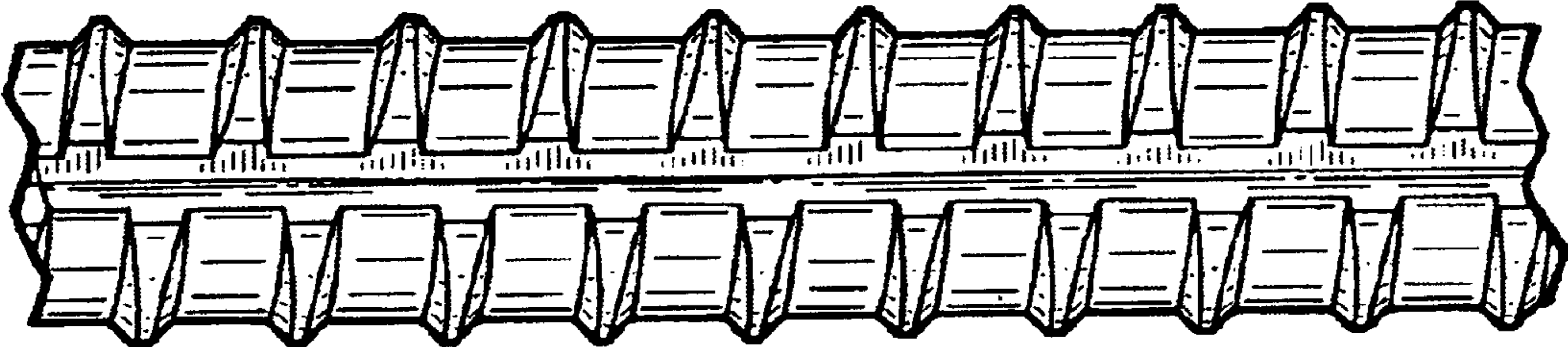


FIG. 5

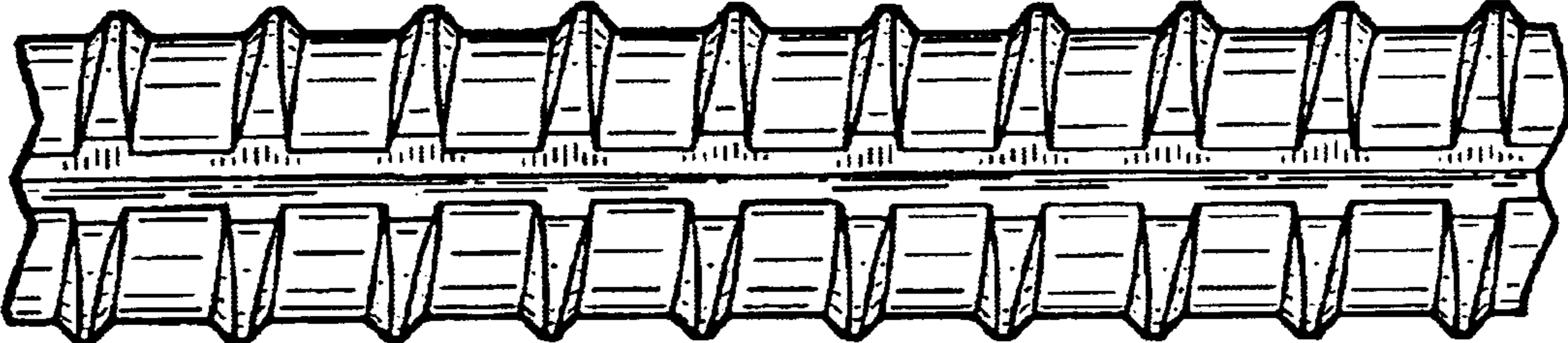


FIG. 6