

US00D496464S1

(12) **United States Design Patent** (10) **Patent No.:** **US D496,464 S**
Iglesias et al. (45) **Date of Patent:** **** Sep. 21, 2004**

(54) **ADJUSTABLE KNEE BRACE PIVOT ASSEMBLY**

(75) Inventors: **Joseph M. Iglesias**, Thousand Oaks, CA (US); **David Cormier**, Oxnard, CA (US); **Tracy E. Grim**, Thousand Oaks, CA (US)

(73) Assignee: **Royce Medical Company**, Camarillo, CA (US)

(**) Term: **14 Years**

(21) Appl. No.: **29/191,021**

(22) Filed: **Sep. 29, 2003**

(51) **LOC (7) Cl.** **24-04**

(52) **U.S. Cl.** **D24/190**

(58) **Field of Search** D24/190; 602/1, 602/5, 16, 23, 26

(56) **References Cited**

U.S. PATENT DOCUMENTS

- 817,785 A * 4/1906 Kritsch 403/120
- D291,596 S * 8/1987 Detty D24/190
- 5,302,169 A * 4/1994 Taylor 602/16
- 5,460,599 A * 10/1995 Davis et al. 602/26

- 5,885,235 A * 3/1999 Opahle et al. 602/16
- 5,980,435 A * 11/1999 Joutras et al. 482/114
- D481,460 S * 10/2003 Doty et al. D24/190
- 6,656,144 B1 * 12/2003 Coligado 602/16
- 2002/0143279 A1 * 10/2002 Porier et al. 602/16

* cited by examiner

Primary Examiner—Stella Reid

(74) *Attorney, Agent, or Firm*—Fulwider Patton Lee & Utecht, LLP

(57) **CLAIM**

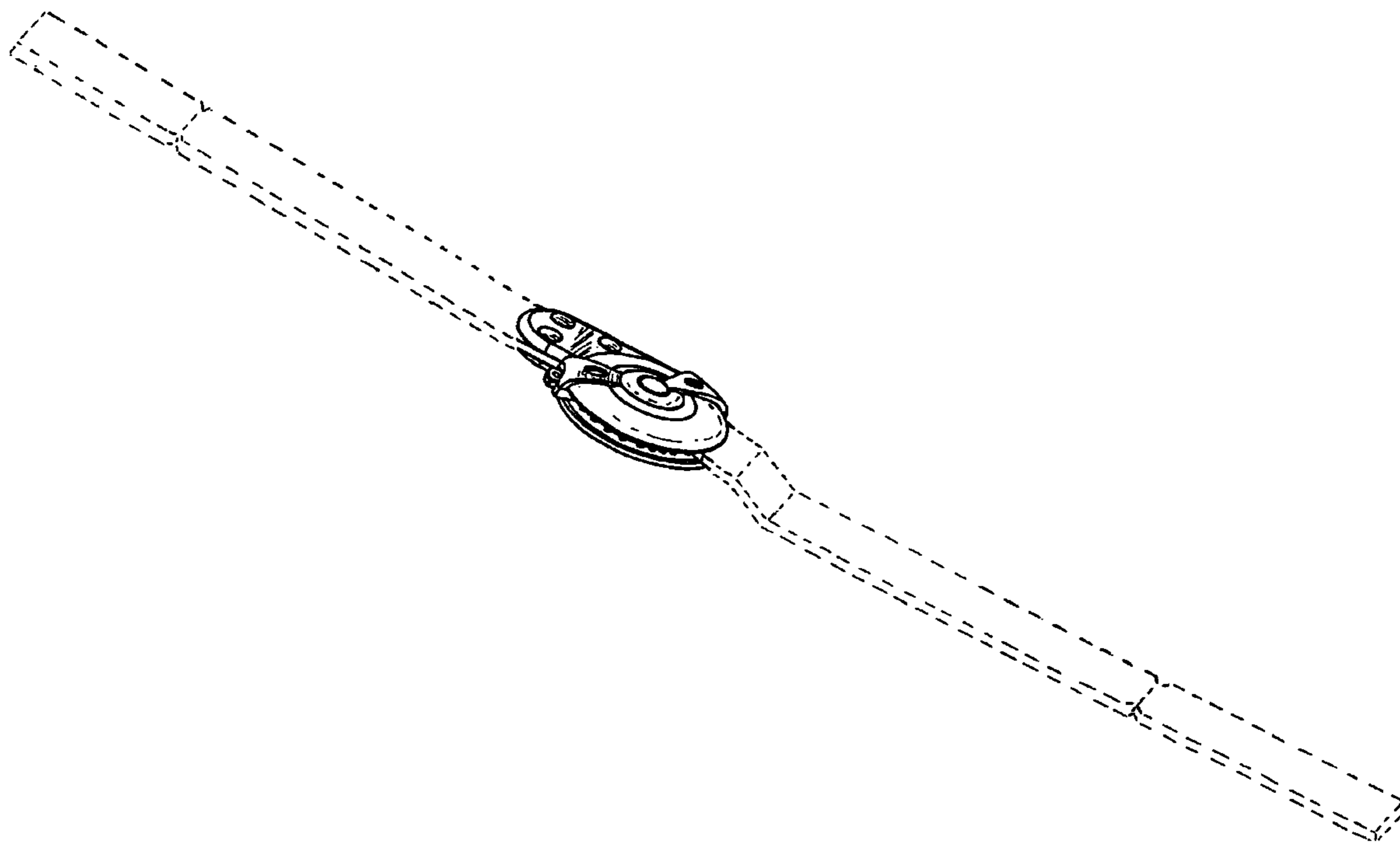
The ornamental design for an adjustable knee brace pivot assembly, substantially as shown and described.

DESCRIPTION

FIG. 1 is a perspective view of an adjustable knee brace pivot assembly, showing our new design;
 FIG. 2 is a left side view thereof;
 FIG. 3 is a front view thereof;
 FIG. 4 is a rear view thereof;
 FIG. 5 is a top view thereof;
 FIG. 6 is a bottom view thereof; and,
 FIG. 7 is a right side view thereof.

The broken line showing is for illustrative purposes only and forms no part of the claimed design.

1 Claim, 3 Drawing Sheets



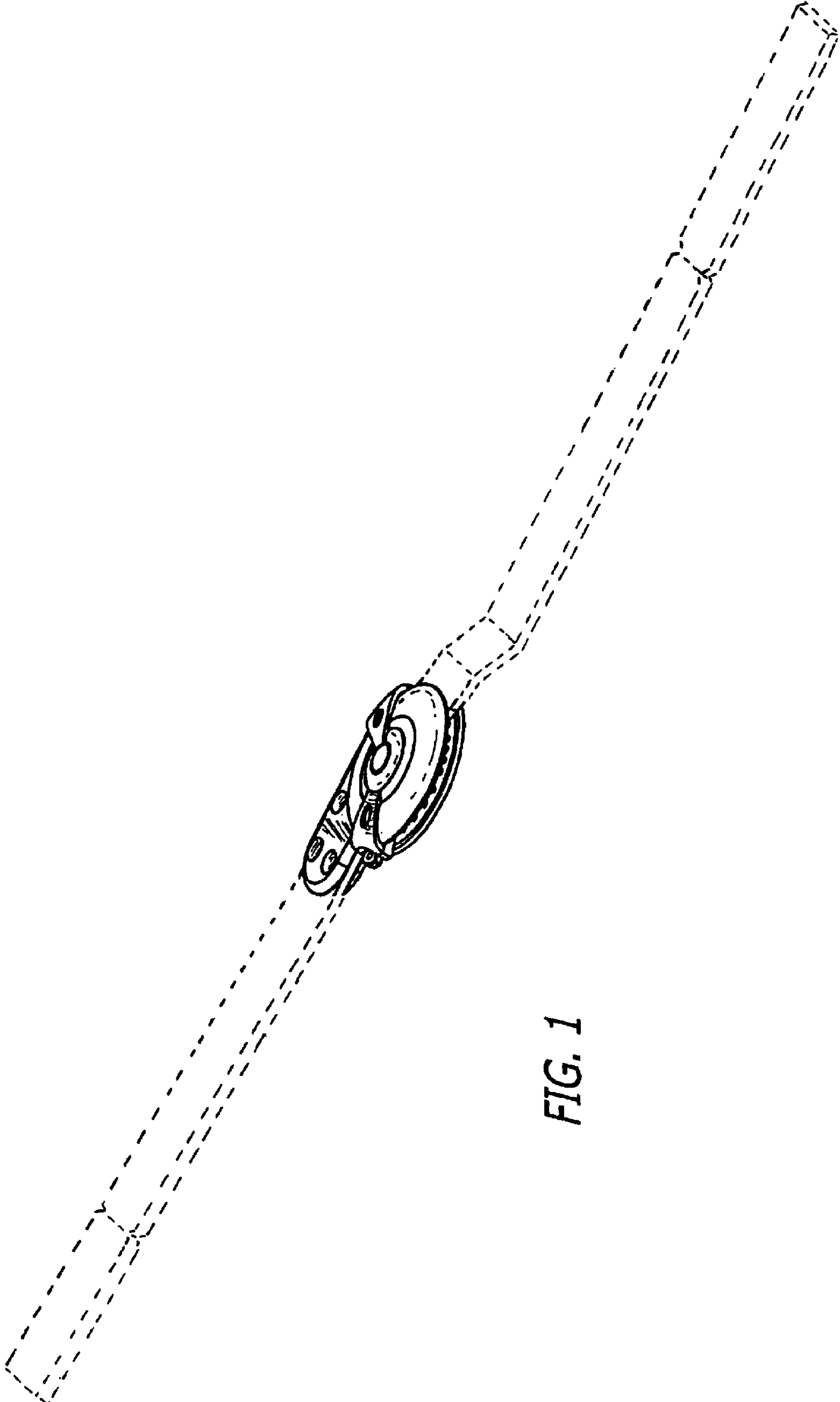


FIG. 1

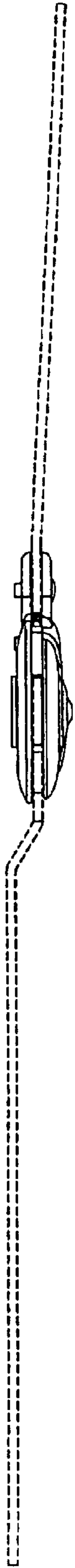


FIG. 2

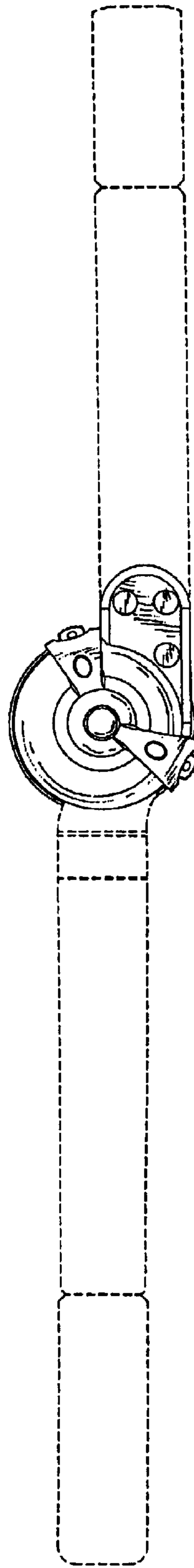


FIG. 3

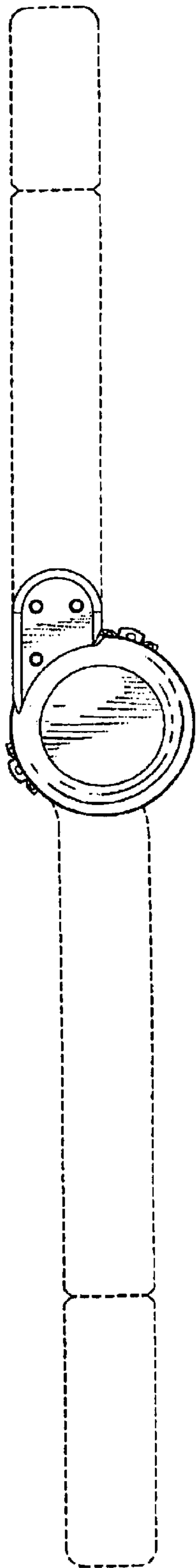


FIG. 4

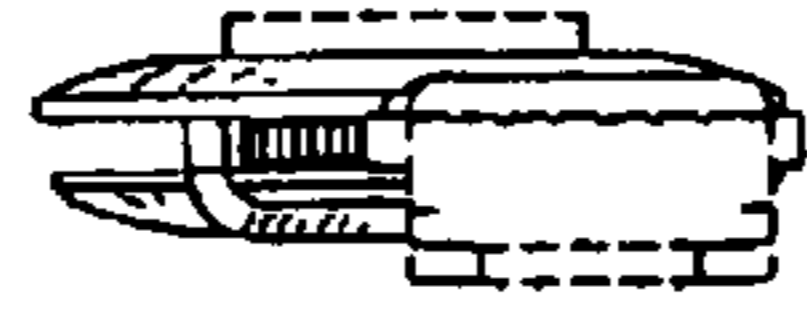


FIG. 5

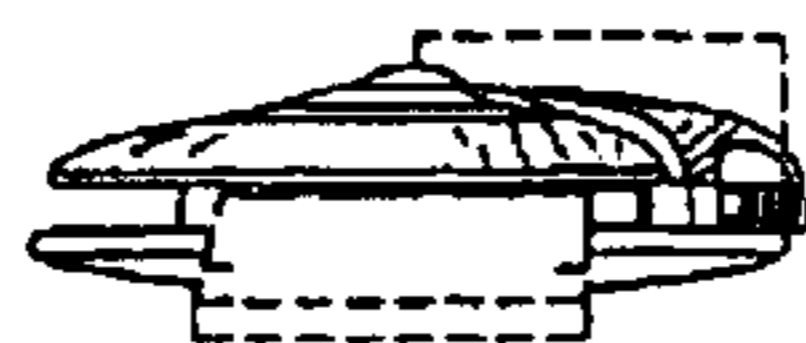


FIG. 6

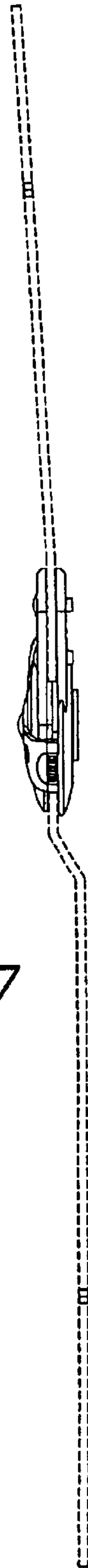


FIG. 7