

US00D496461S1

(12) **United States Design Patent**
Neel et al.

(10) **Patent No.:** **US D496,461 S**
(45) **Date of Patent:** **** Sep. 21, 2004**

(54) **BLOOD GLUCOSE METER**
(75) Inventors: **Gary T. Neel**, Weston, FL (US); **Jeffrey A. Smith**, Pompano Beach, FL (US); **Allan Javier Caban**, Lakeworth, FL (US); **David K. Boehm**, Lauderhill, FL (US); **Jonathan D. Payne**, Plantation, FL (US)

D417,504 S 12/1999 Love et al.
D423,102 S 4/2000 Mertenat et al.
D424,696 S 5/2000 Ray et al.
D428,654 S 7/2000 Schlesinger et al.
D440,312 S 4/2001 Bertrand et al.
D444,235 S 6/2001 Roberts et al.
D456,514 S * 4/2002 Brown et al. D24/169
D459,812 S * 7/2002 Ijiri D24/169
D465,026 S 10/2002 May et al.
6,514,460 B1 2/2003 Fendrock

(73) Assignee: **Home Diagnostics, Inc.**, Fort Lauderdale, FL (US)

* cited by examiner

(**) Term: **14 Years**

Primary Examiner—Stella Reid

(21) Appl. No.: **29/171,117**

(74) *Attorney, Agent, or Firm*—McDonnell Boehnen Hulbert & Berghoff

(22) Filed: **Nov. 15, 2002**

(57) **CLAIM**

(51) **LOC (7) Cl.** **24-01**

The ornamental design for a blood glucose meter, as shown and described.

(52) **U.S. Cl.** **D24/169**

(58) **Field of Search** D24/169; 600/309, 600/318, 322, 368, 583; 422/56, 58, 61, 67, 68.1, 102, 104; 436/46, 50, 55

DESCRIPTION

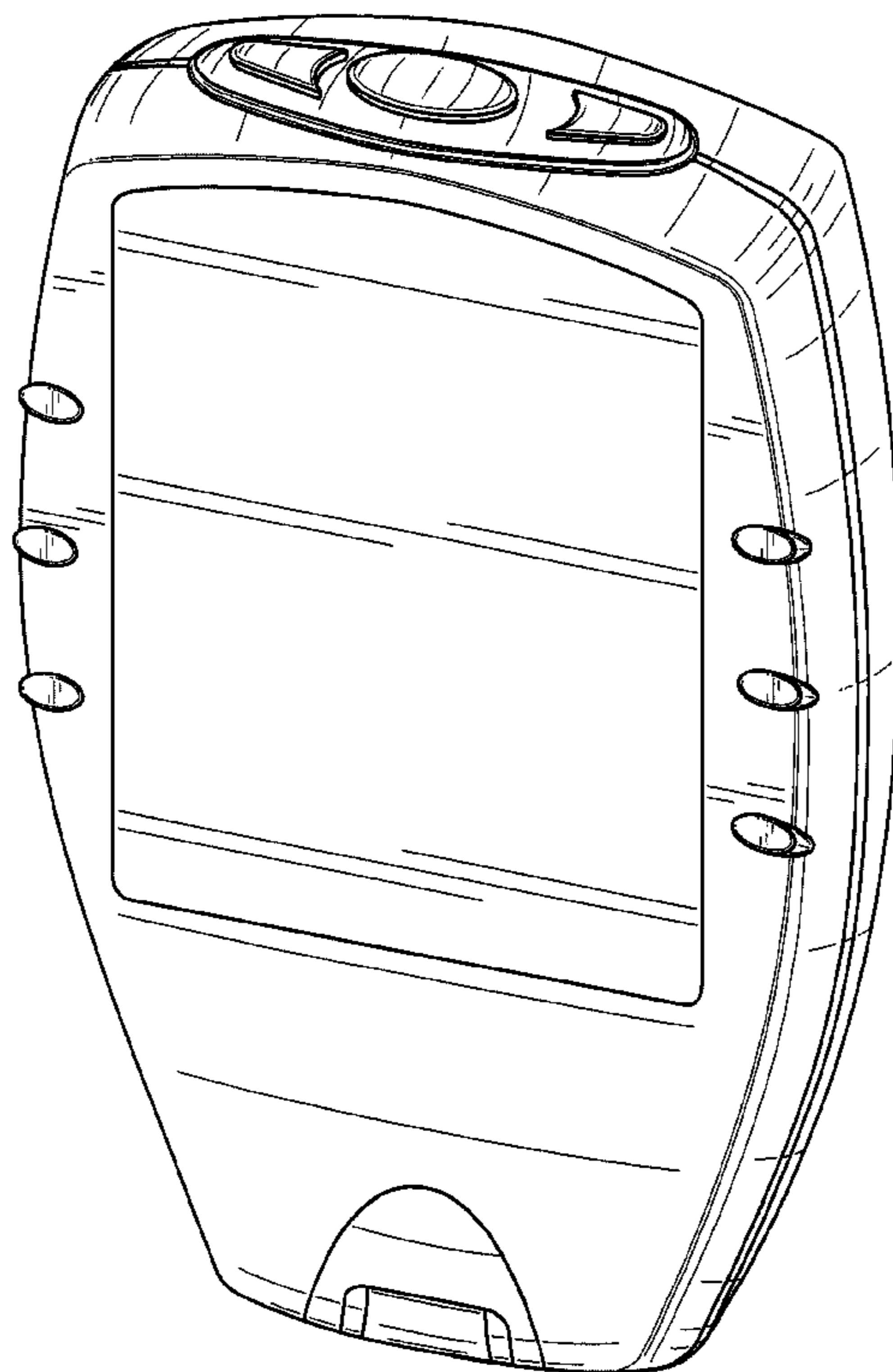
(56) **References Cited**

U.S. PATENT DOCUMENTS

D371,198 S * 6/1996 Savage et al. D24/169
D378,612 S 3/1997 Clark
D393,313 S 4/1998 Melsner et al.
D399,566 S 10/1998 Sohrab et al.
D406,895 S 3/1999 Byrd et al.
D411,621 S 6/1999 Eisenbarth et al.
5,989,917 A 11/1999 McAleer et al.

FIG. 1 is a perspective view of a blood glucose meter; FIG. 2 is a front view of the blood glucose meter of FIG. 1; FIG. 3 is a back view of the blood glucose meter of FIG. 1; FIG. 4 is a left view of the blood glucose meter of FIG. 1; FIG. 5 is right view of the blood glucose meter of FIG. 1; FIG. 6 is top view of the blood glucose meter of FIG. 1; and, FIG. 7 is bottom view of the blood glucose meter of FIG. 1. The broken line drawings of electrical connectors and battery compartment are for illustrative purposes only and form no part of the claimed design.

1 Claim, 5 Drawing Sheets



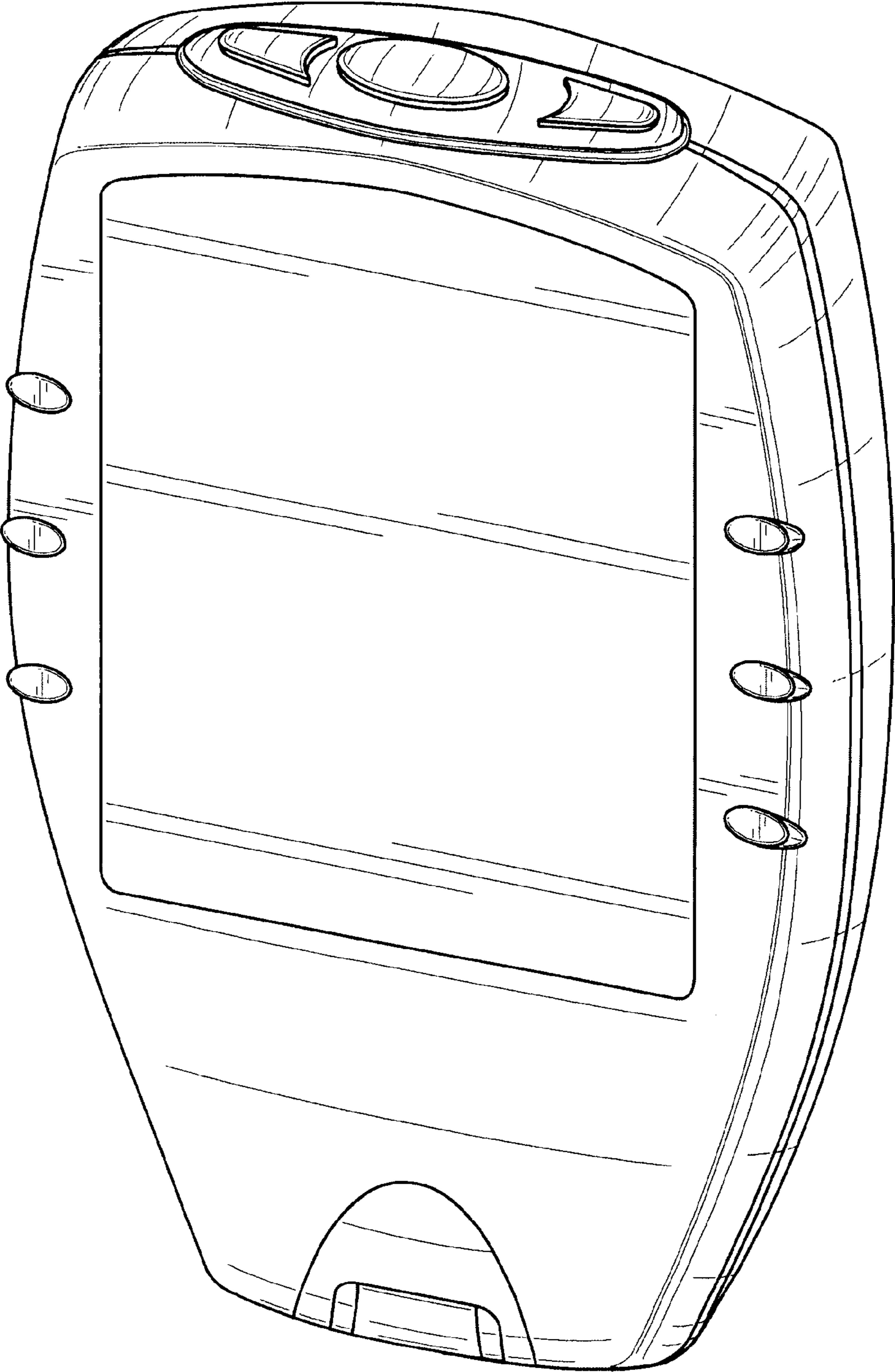


FIG. 1

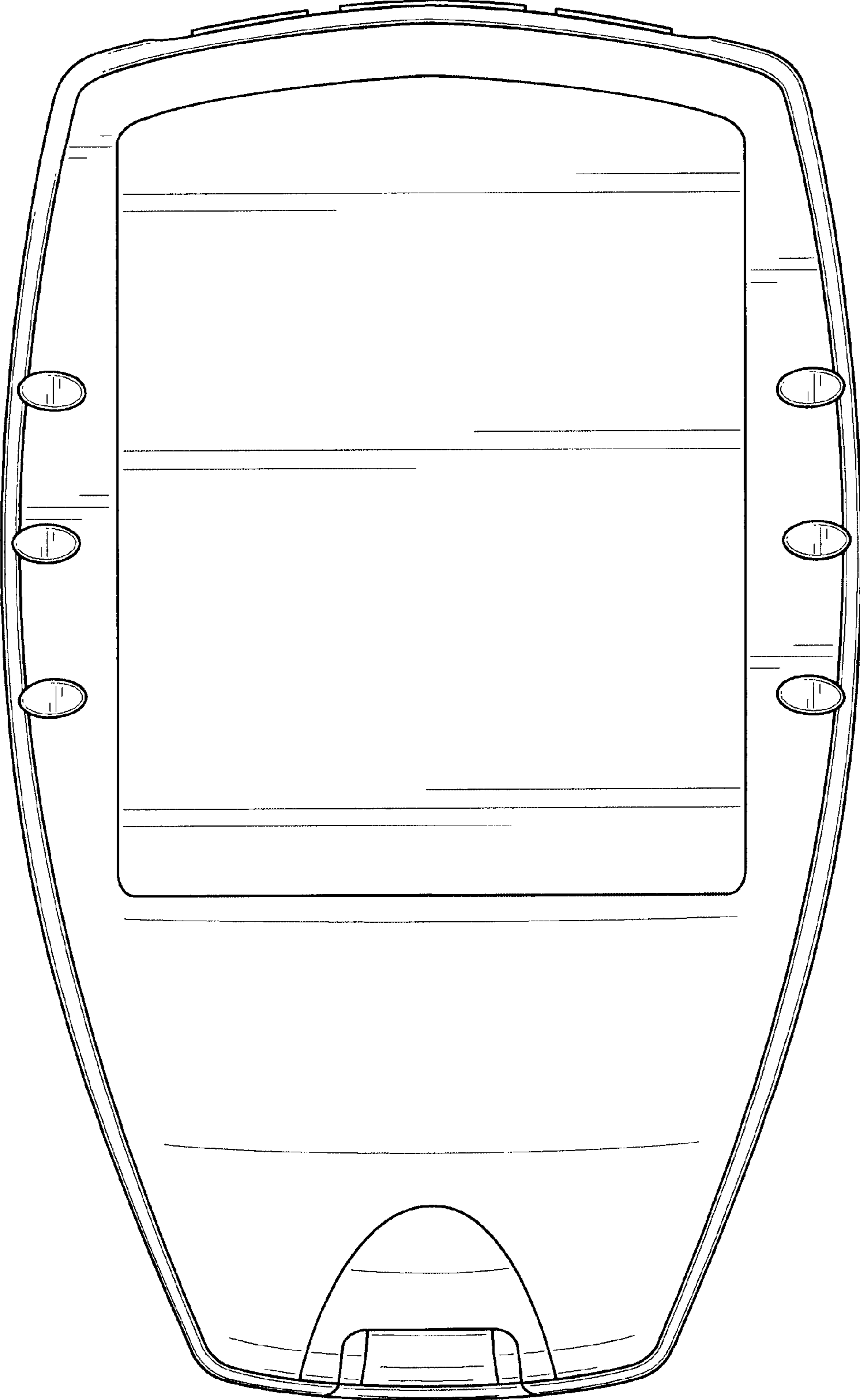


FIG. 2

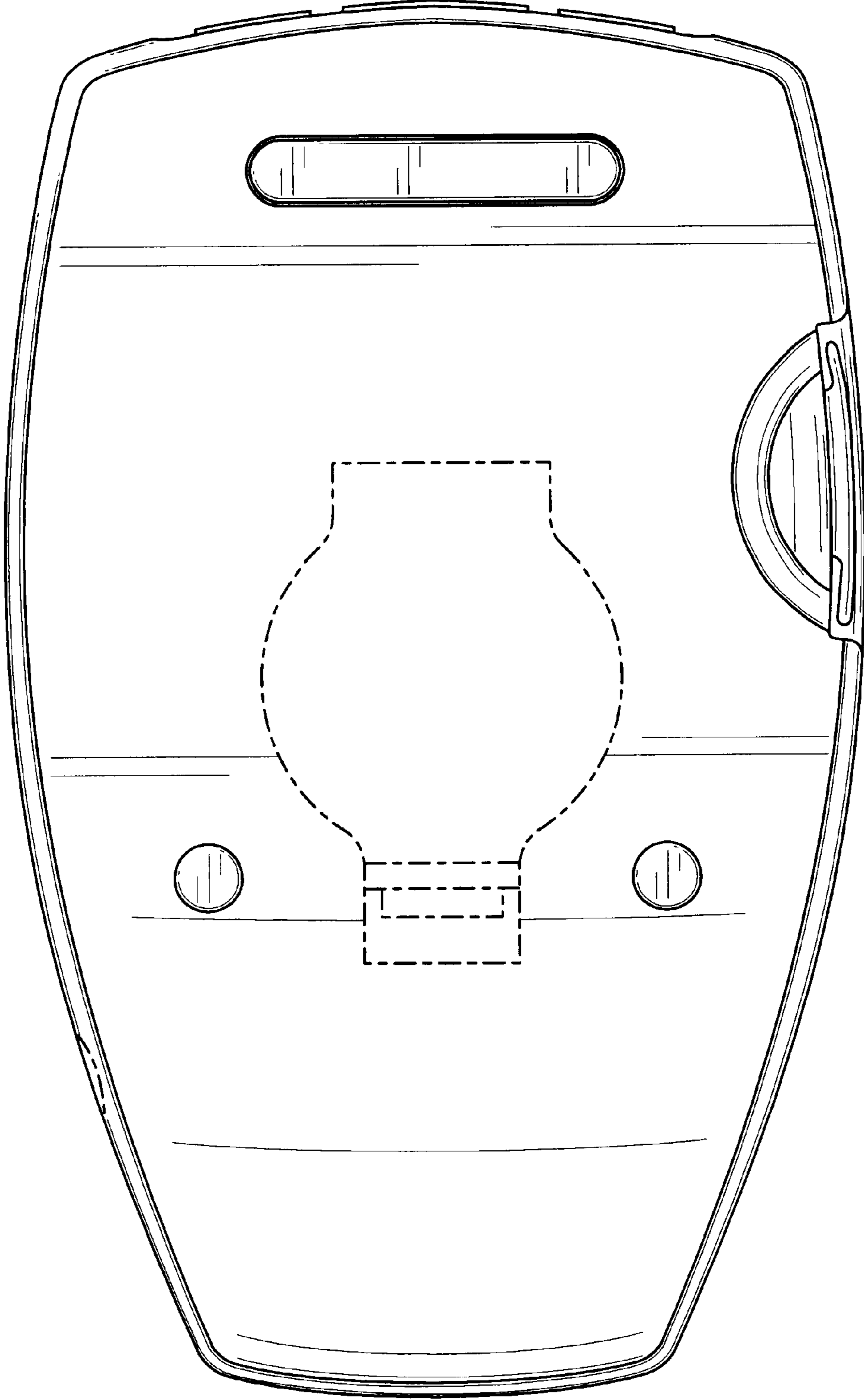


FIG. 3

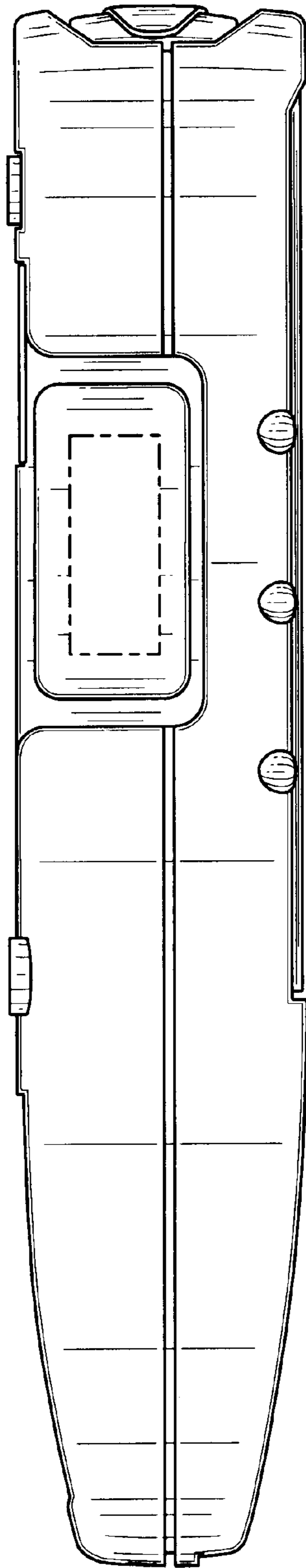


FIG. 4

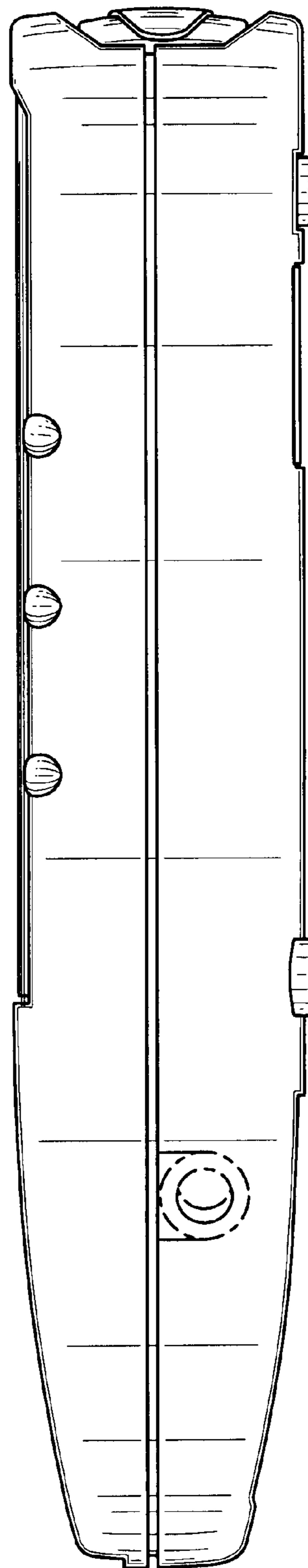


FIG. 5

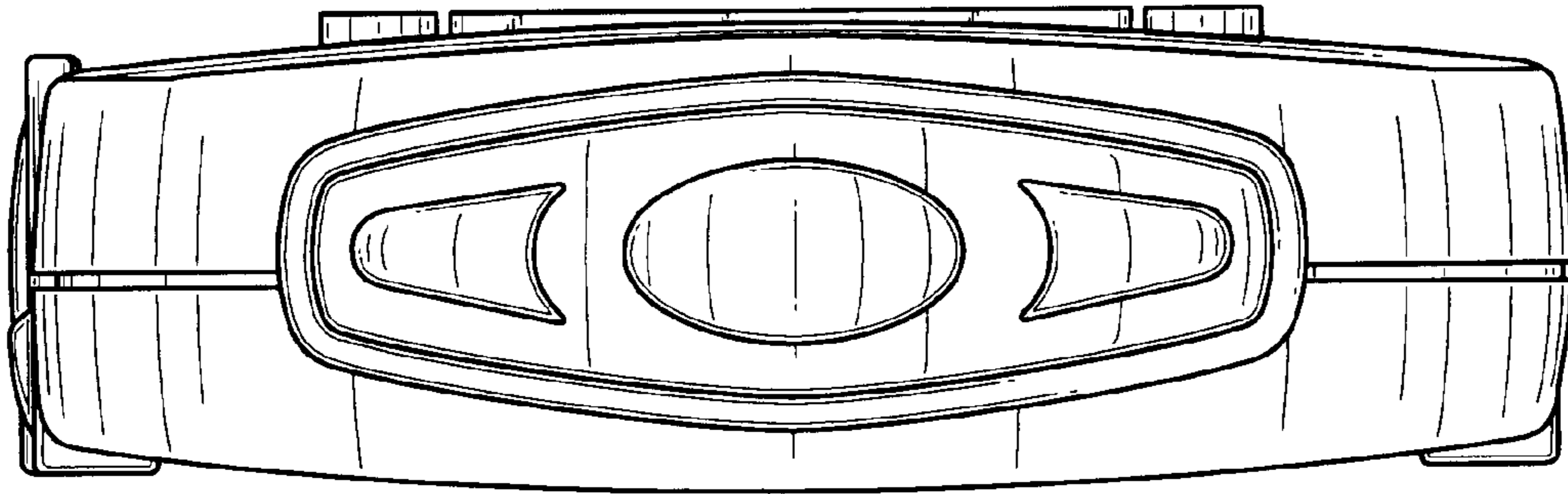


FIG. 6

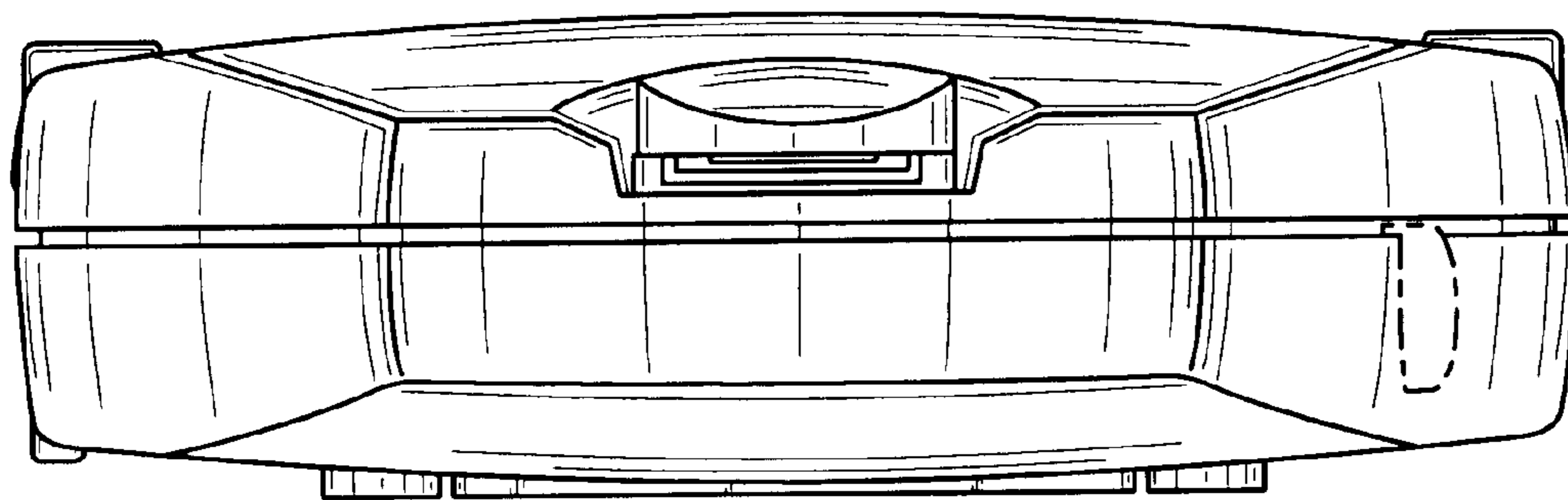


FIG. 7