

US00D496453S1

(12) **United States Design Patent** (10) **Patent No.:** **US D496,453 S**
Snyder et al. (45) **Date of Patent:** **** Sep. 21, 2004**

(54) **SUPPORT FRAME FOR A OVAL DUCT**
(75) Inventors: **Darryl L. Snyder**, Canton, OH (US);
Pascu Ghinga, Middleburg Heights,
OH (US)
(73) Assignee: **Snyder National Corporation**, Canton,
OH (US)
(**) Term: **14 Years**
(21) Appl. No.: **29/187,101**
(22) Filed: **Jul. 28, 2003**
(51) **LOC (7) Cl.** **23-04**
(52) **U.S. Cl.** **D23/393**
(58) **Field of Search** D23/354, 314,
D23/329, 386-387, 393, 421, 499; 454/224,
227, 380, 906, 283-284, 307, 309, 370,
330-331; 138/106, 128, 172, 155-156,
177-178, DIG. 11; 55/502, 508; 126/41 R

4,829,886 A 5/1989 Battaglin
4,872,891 A * 10/1989 Sussmeier 55/508
4,967,524 A 11/1990 Hull et al.
5,100,445 A 3/1992 Johnson et al.
5,180,331 A 1/1993 Daw et al.
5,266,091 A 11/1993 McDonald
5,597,392 A 1/1997 Hawkins et al.
5,720,660 A 2/1998 Benedetto et al.
5,729,938 A 3/1998 Tobias
5,813,706 A 9/1998 Travis
6,024,127 A 2/2000 Johnson
6,066,044 A 5/2000 Orendorff
6,125,593 A 10/2000 Randolph et al.
6,273,145 B1 8/2001 Botting
D465,276 S 11/2002 Snyder
D475,781 S * 6/2003 Mattsson et al. D23/393
2002/0069599 A1 6/2002 Dhallan

* cited by examiner

Primary Examiner—Robert A. Delehanty
(74) *Attorney, Agent, or Firm*—Sand & Sebolt

(57) **CLAIM**

The ornamental design for the support frame for a oval duct,
as shown and described.

(56) **References Cited**

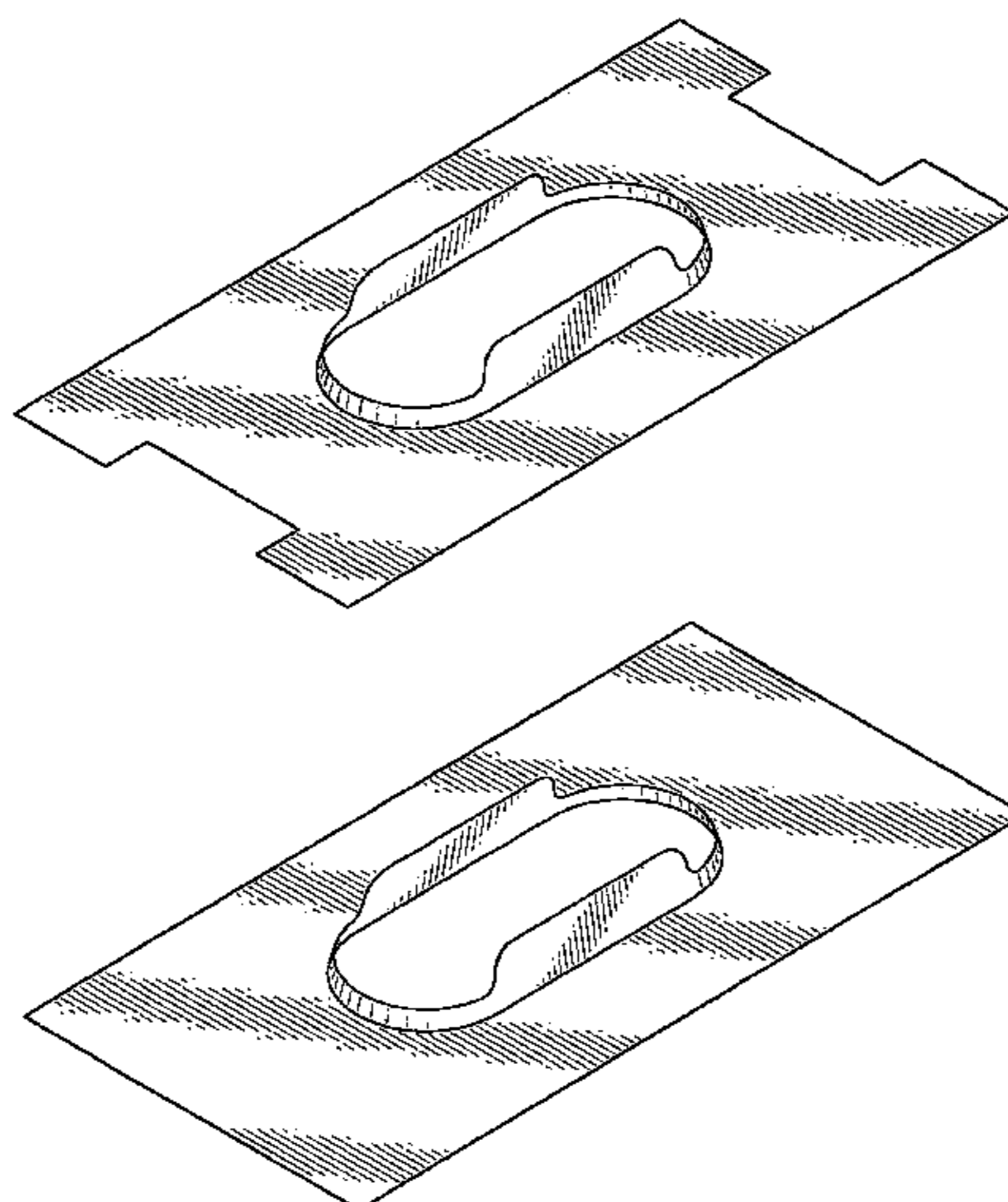
U.S. PATENT DOCUMENTS

343,025 A 6/1886 Gordon et al.
403,564 A 5/1889 Sullivan
641,580 A 1/1900 Cummins
674,991 A 5/1901 Williams
1,429,811 A 9/1922 Tynan
1,776,656 A 9/1930 Frederickson
1,911,851 A 5/1933 Scholtz
2,743,660 A 5/1956 Scherff
3,232,205 A 2/1966 Bumstead
3,589,265 A 6/1971 Hedrick
D248,770 S * 8/1978 Michaelsen D23/386
4,174,126 A 11/1979 Hauff
4,429,497 A 2/1984 Dibernardi
4,607,469 A 8/1986 Harrison
4,712,342 A 12/1987 Legerius et al.
4,712,343 A 12/1987 Dearing et al.
4,773,197 A 9/1988 Sullivan
4,817,348 A 4/1989 Wydra

DESCRIPTION

FIG. 1 is a perspective view of the support frame for a oval
duct showing a first embodiment of the design.
FIG. 2 is a top plan view of FIG. 1.
FIG. 3 is a front elevation view of FIG. 1.
FIG. 4 is a right side elevation view of FIG. 1; the left side
being a mirror image thereof.
FIG. 5 is a bottom plan view of FIG. 1.
FIG. 6 is a perspective view the support frame for a oval duct
showing a second embodiment of the design.
FIG. 7 is a top plan view of FIG. 6.
FIG. 8 is a front elevation view of FIG. 6.
FIG. 9 is a right side elevation view of FIG. 6; the left side
being a mirror image thereof; and,
FIG. 10 is a bottom plan view of FIG. 6.

1 Claim, 4 Drawing Sheets



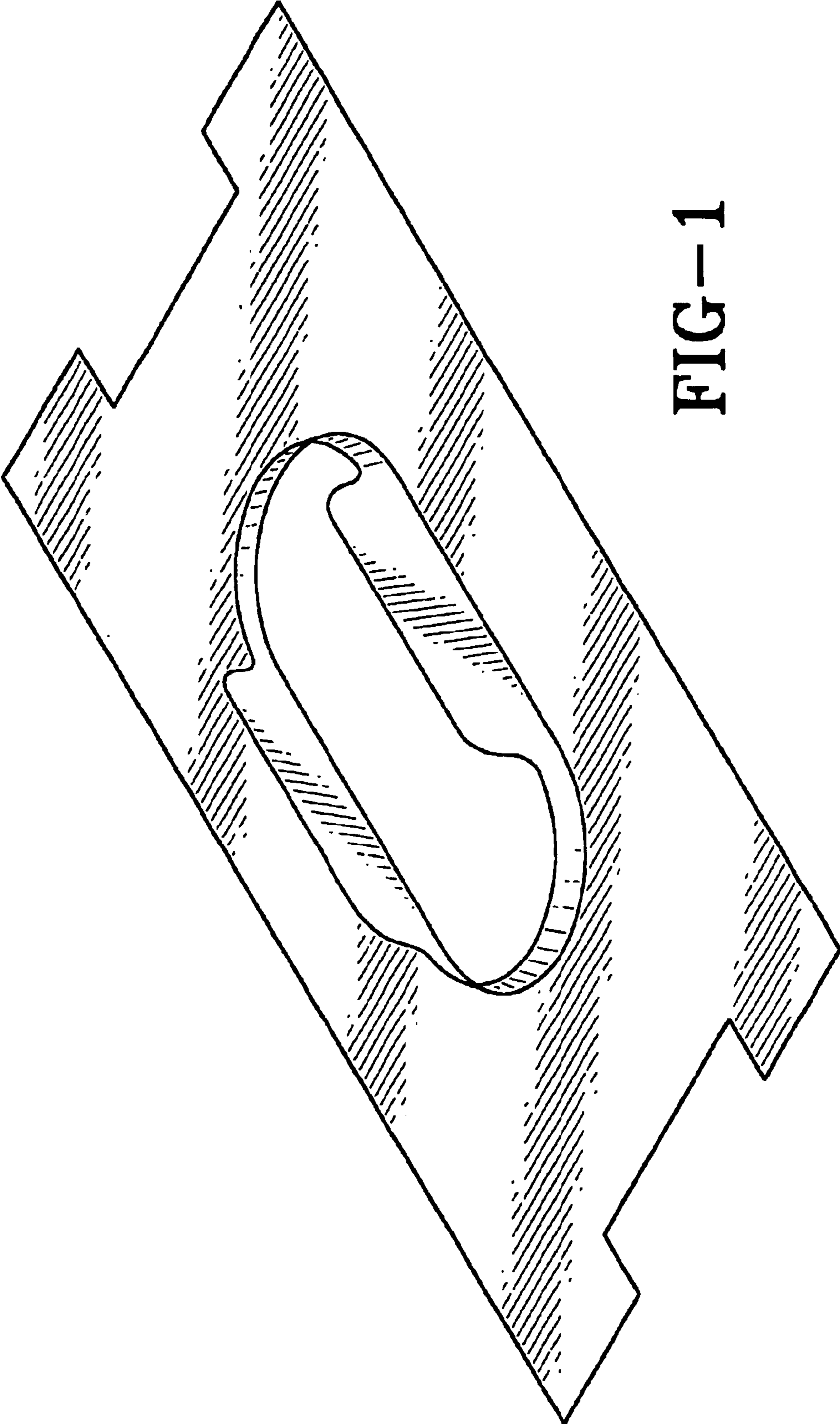


FIG-1

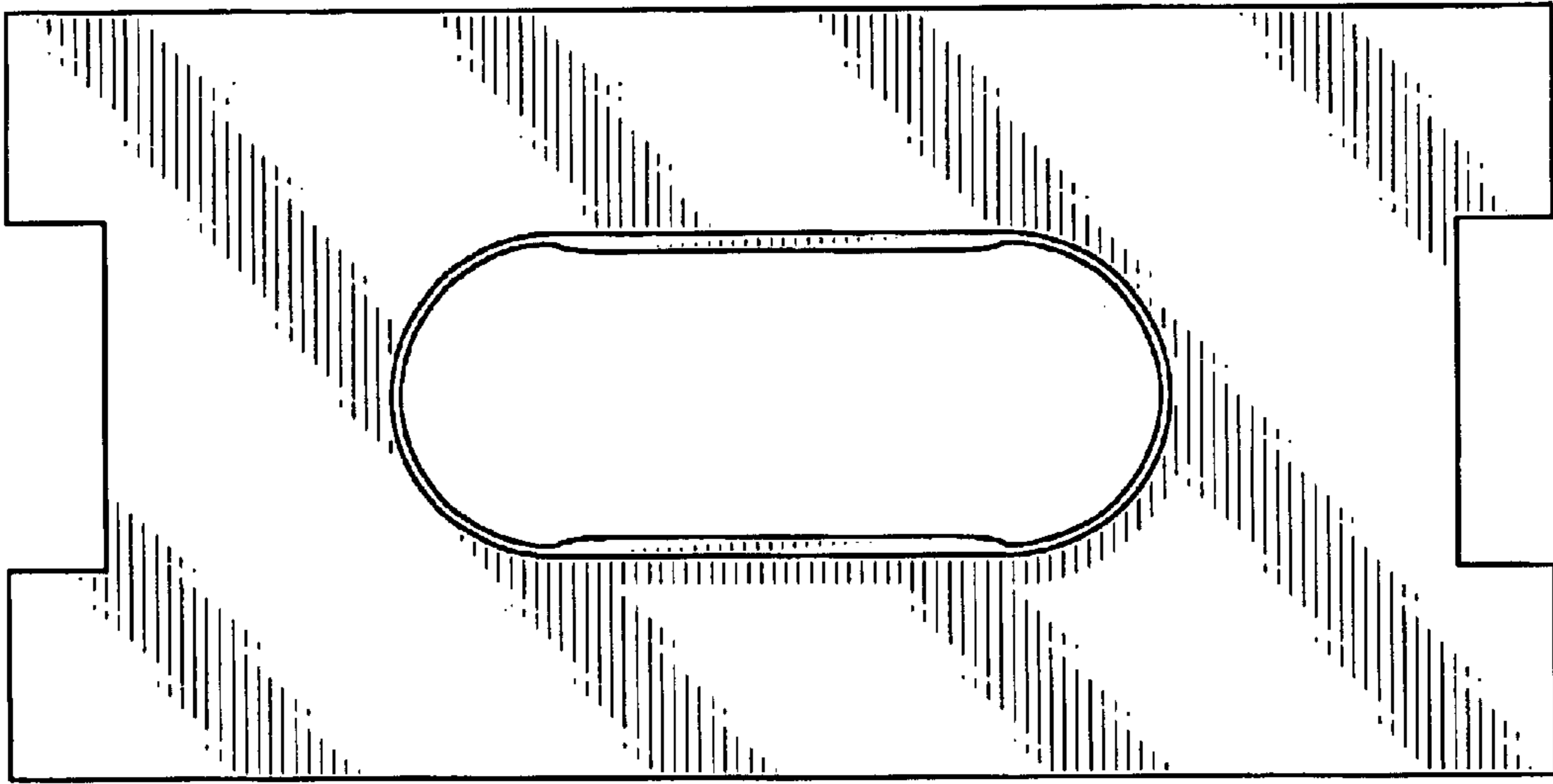


FIG-2



FIG-3

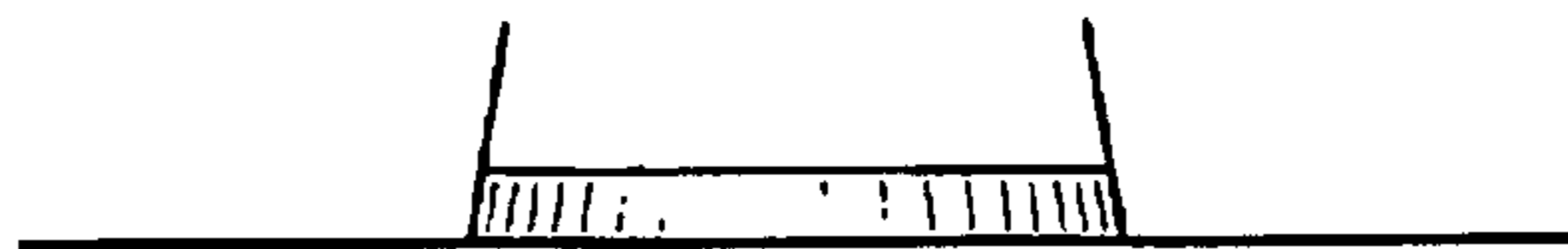


FIG-4

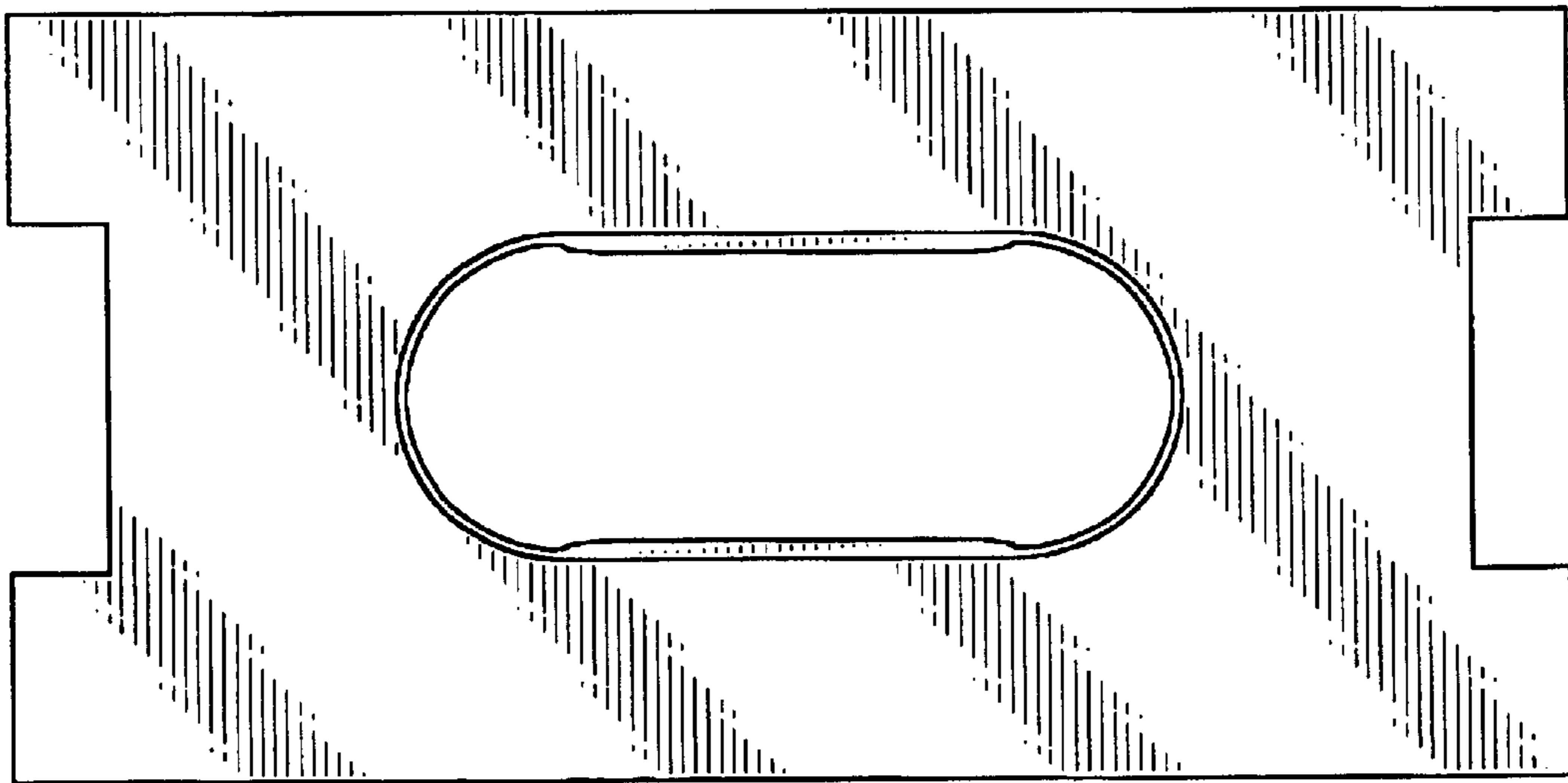


FIG-5

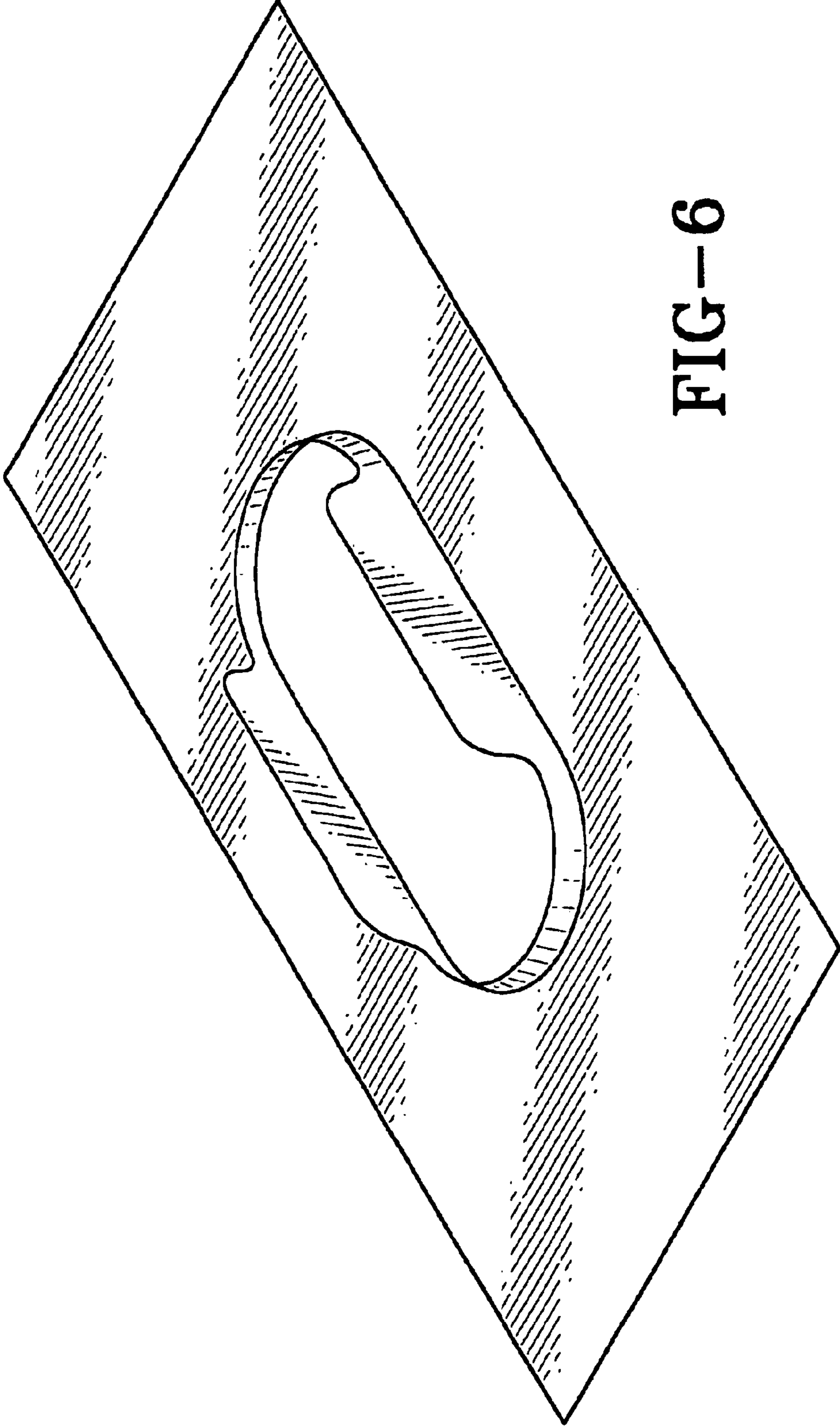


FIG-6

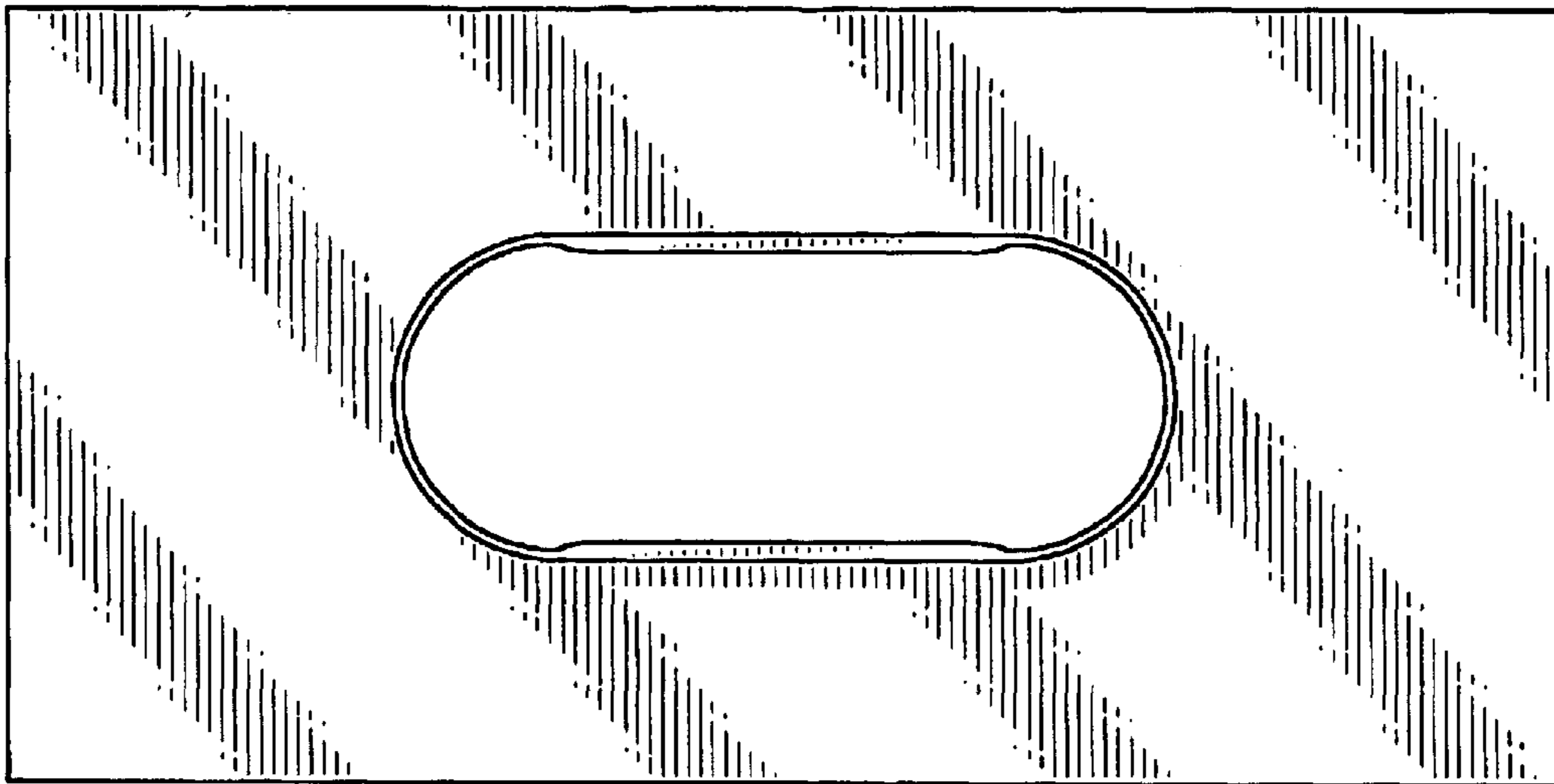


FIG-7



FIG-8



FIG-9

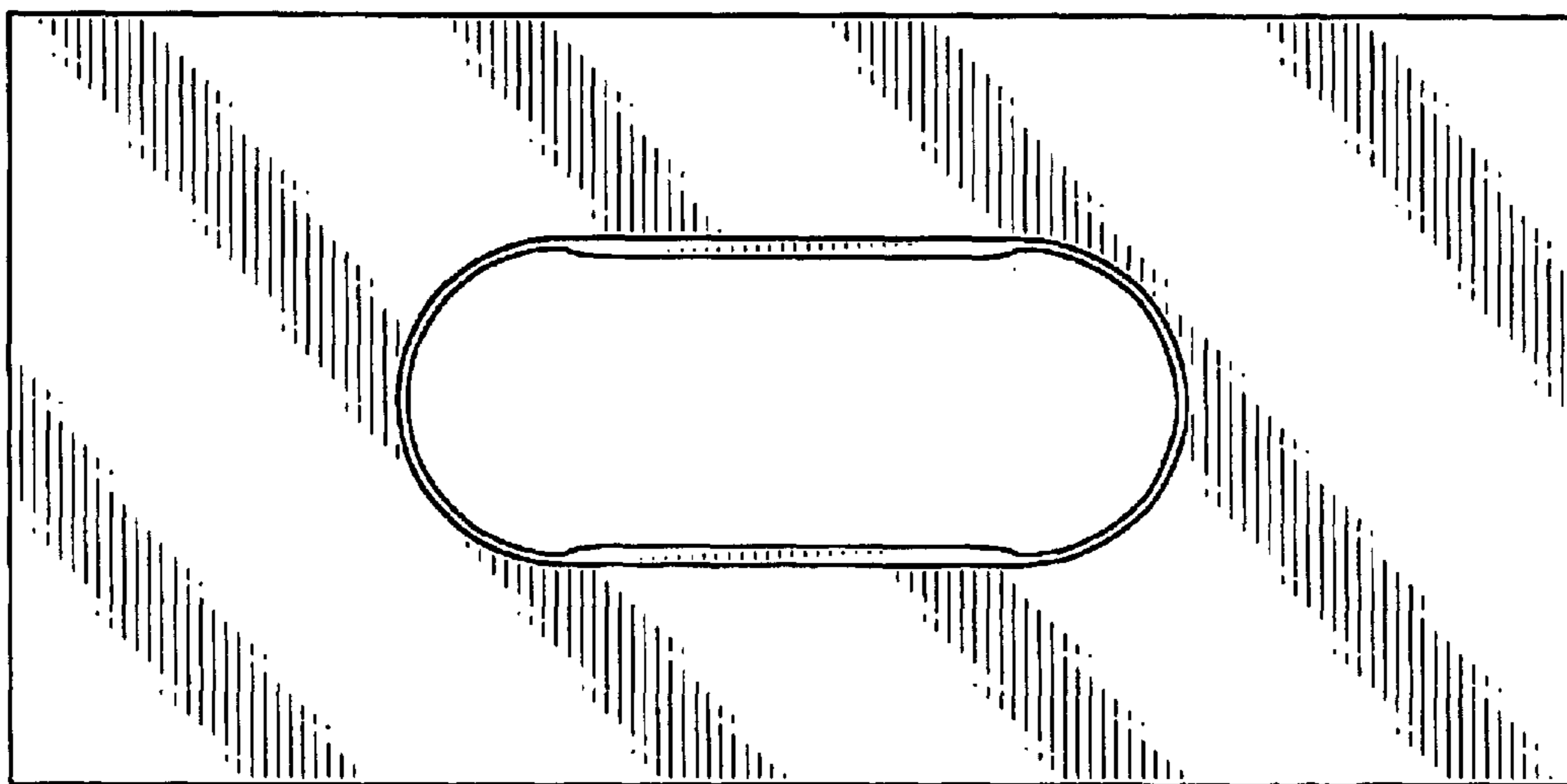


FIG-10