

US00D496452S1

(12) **United States Design Patent** (10) **Patent No.:** **US D496,452 S**
Peterson et al. (45) **Date of Patent:** **** Sep. 21, 2004**

(54) **OPERATING ROOM DUCTWORK AND HEADWALL**

(75) Inventors: **Michael J. Peterson**, Nashville, TN (US); **Mark J. Vesligaj**, Nashville, TN (US); **Daniel A. Buehler**, Brentwood, TN (US)

(73) Assignee: **Dialysis Systems, Inc.**, Nashville, TN (US)

(**) Term: **14 Years**

(21) Appl. No.: **29/174,717**

(22) Filed: **Jan. 23, 2003**

(51) **LOC (7) Cl.** **23-04**

(52) **U.S. Cl.** **D23/393**

(58) **Field of Search** D23/329, 386-387, D23/292-293, 421, 499; 454/227, 309, 306-307, 330-331, 370, 906; 110/163, 349; 138/106, 172, 177, DIG. 11

(56) **References Cited**

U.S. PATENT DOCUMENTS

D465,022 S * 10/2002 Stansbury D23/386
6,511,373 B2 * 1/2003 Howard et al. 454/306
D476,074 S * 6/2003 Stout, Jr. D23/393

OTHER PUBLICATIONS

Exhibit A: Photograph of prior art room with 48" wide paneled corners (undated).

Exhibit B: Amico Corporation Catalog, Medical Architectural Products, 3 pp. (undated).

* cited by examiner

Primary Examiner—Robert A. Delehanty
(74) *Attorney, Agent, or Firm*—Waddey & Patterson; Lucian Wayne Beavers

(57) **CLAIM**

What is claimed is the ornamental design for an operating room ductwork and headwall, as shown and described.

DESCRIPTION

FIG. 1 is a front elevation of the operating room ductwork and headwall of Applicants' invention.

FIG. 2 is a top view of the operating room ductwork and headwall of Applicants' invention.

FIG. 3 is a bottom view of the operating room ductwork and headwall of Applicants' invention.

FIG. 4 is an elevation view taken from the right at 45 degrees to the view of FIG. 1, showing the left duct of the operating room ductwork and headwall of Applicants' invention; and,

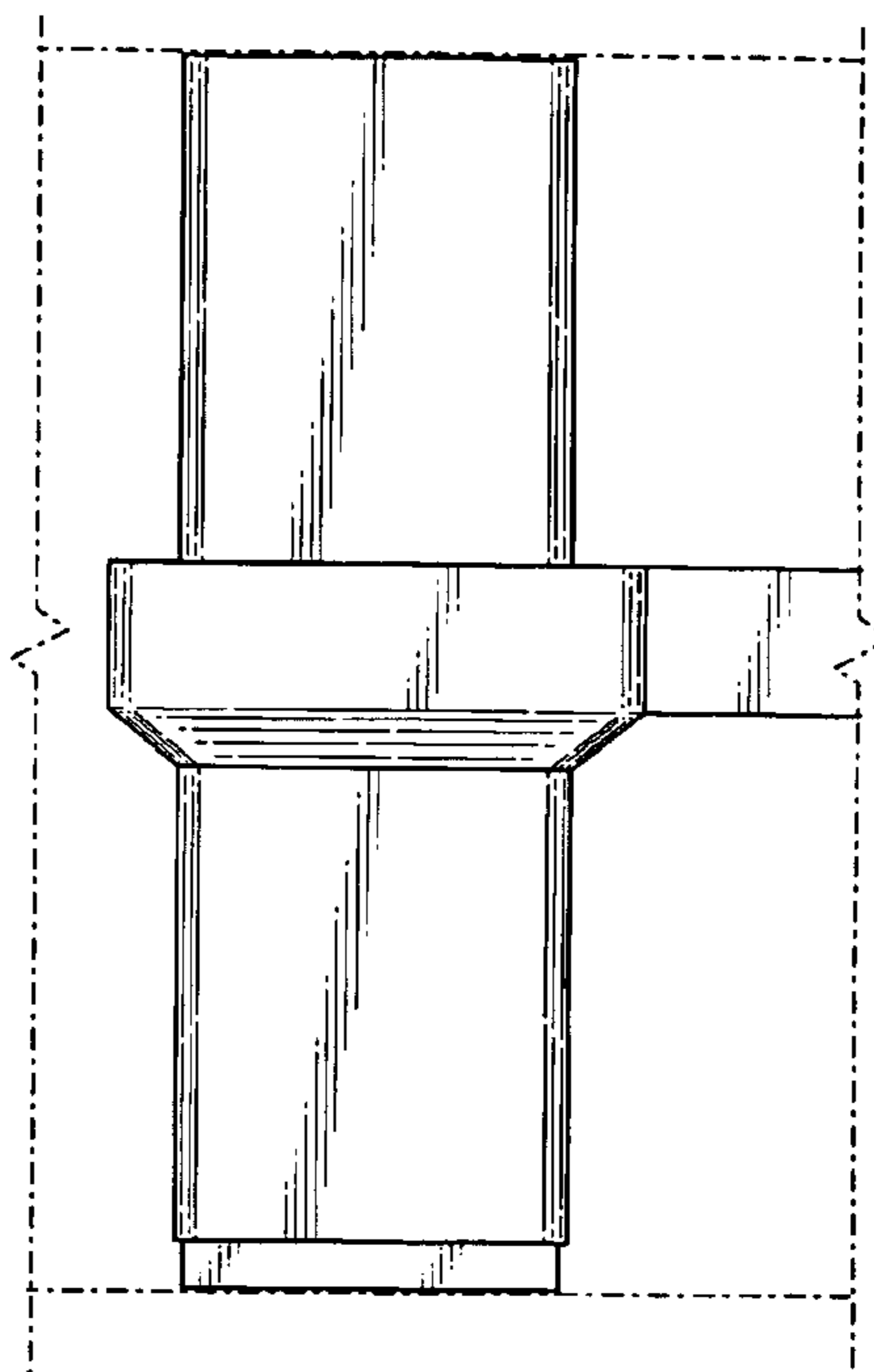
FIG. 5 is an enlarged view of the area shown by the broken circle labeled No. 5 in FIG. 2.

There is no rear view shown, the same being unornamented and not visible in normal use of the invention.

The dashed lines are provided to show surrounding background and are not a part of the design.

The headwall is shown broken away to indicate undetermined length.

1 Claim, 3 Drawing Sheets



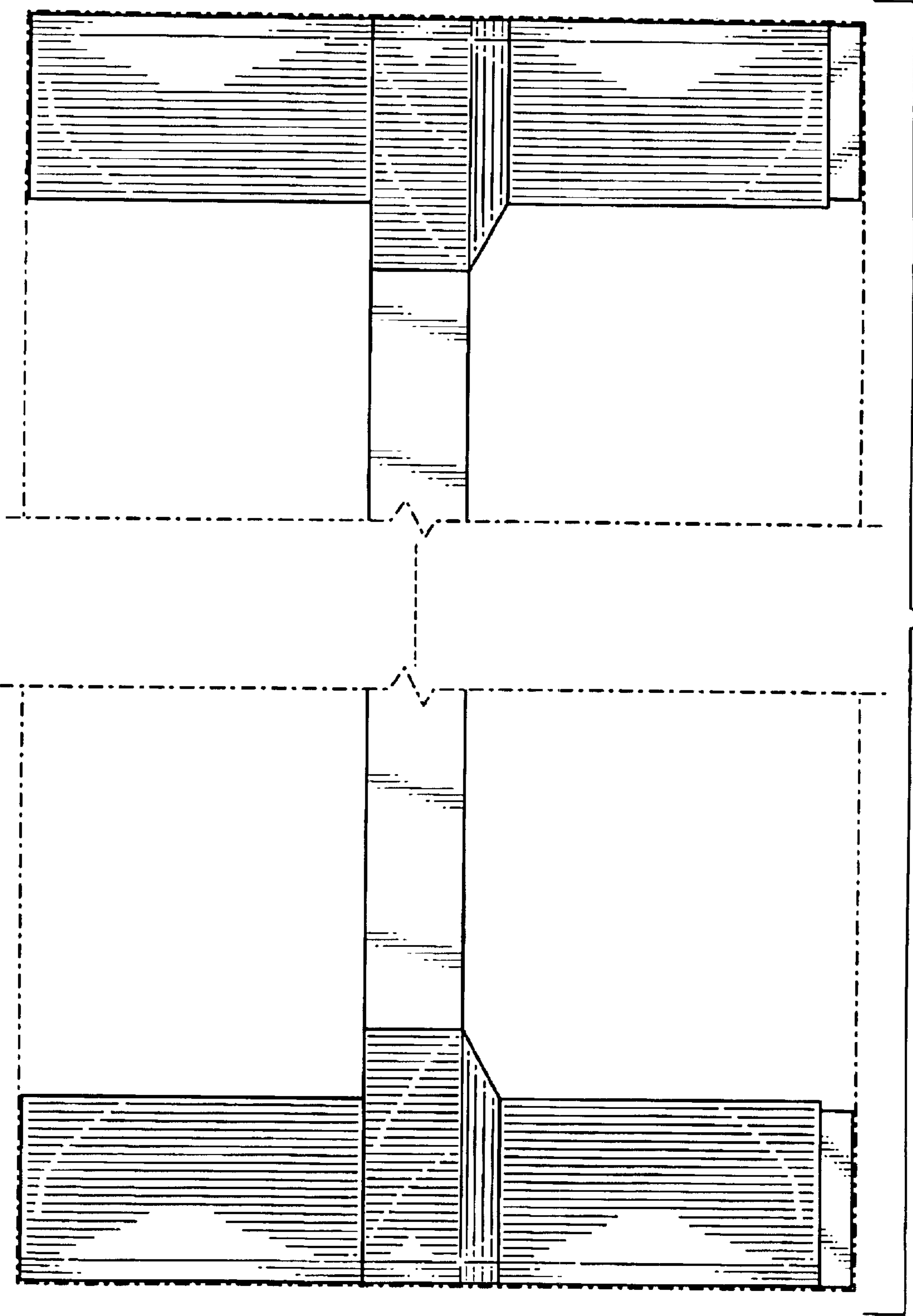


FIG 1

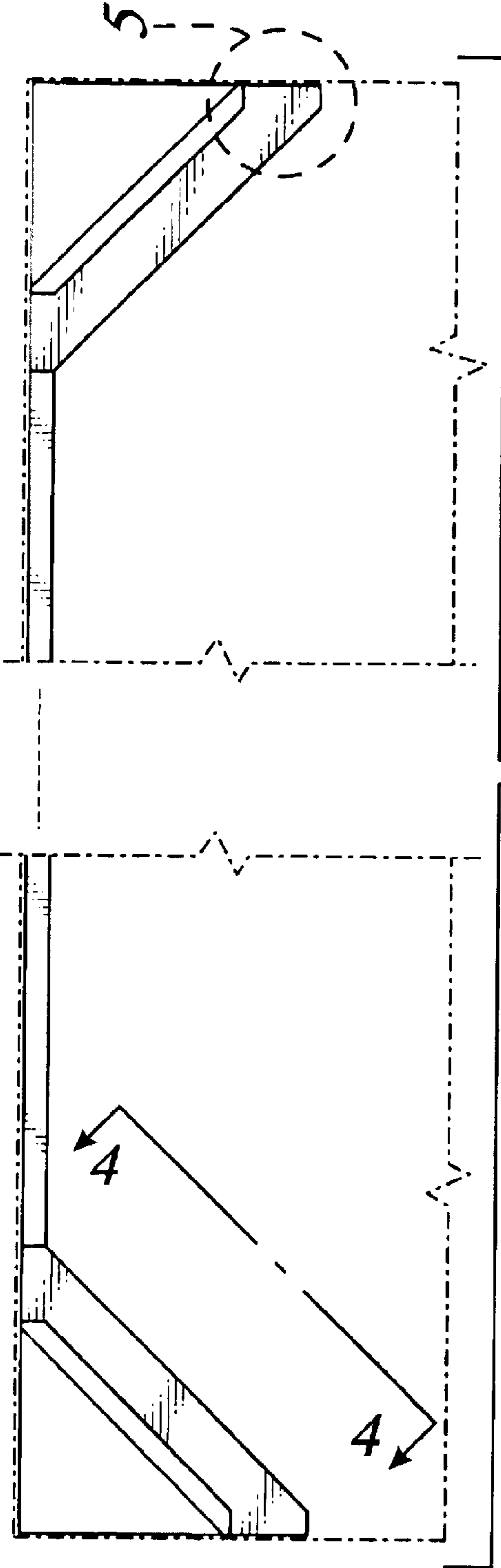


FIG. 2

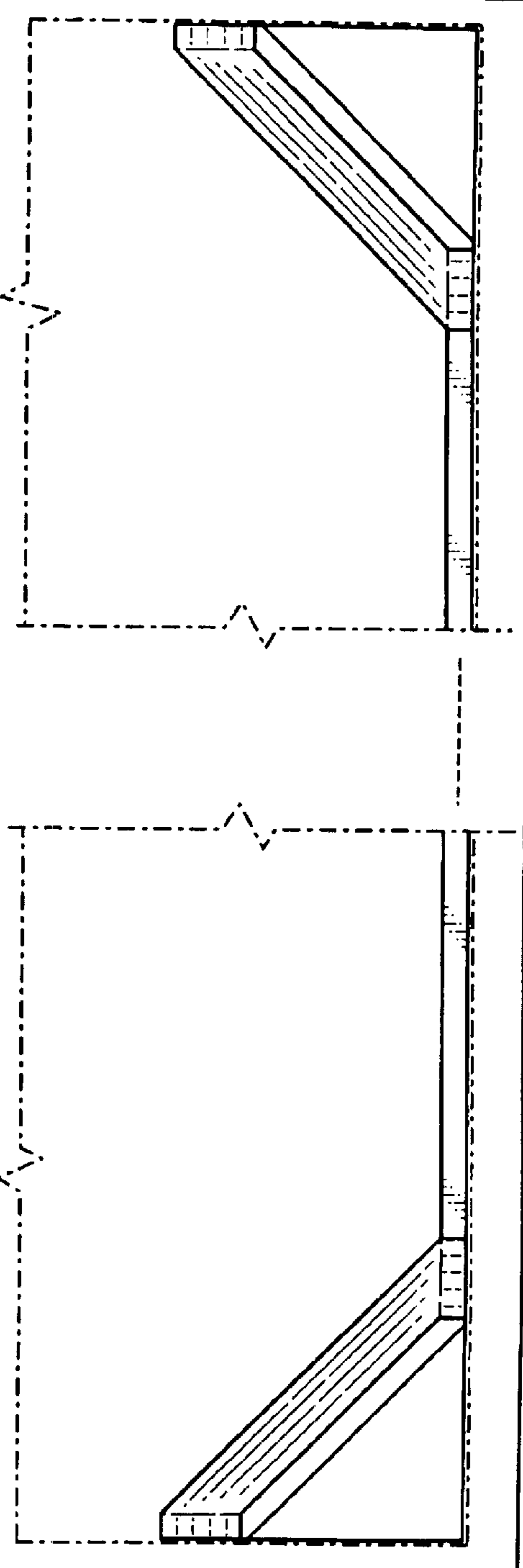


FIG. 3

FIG. 4

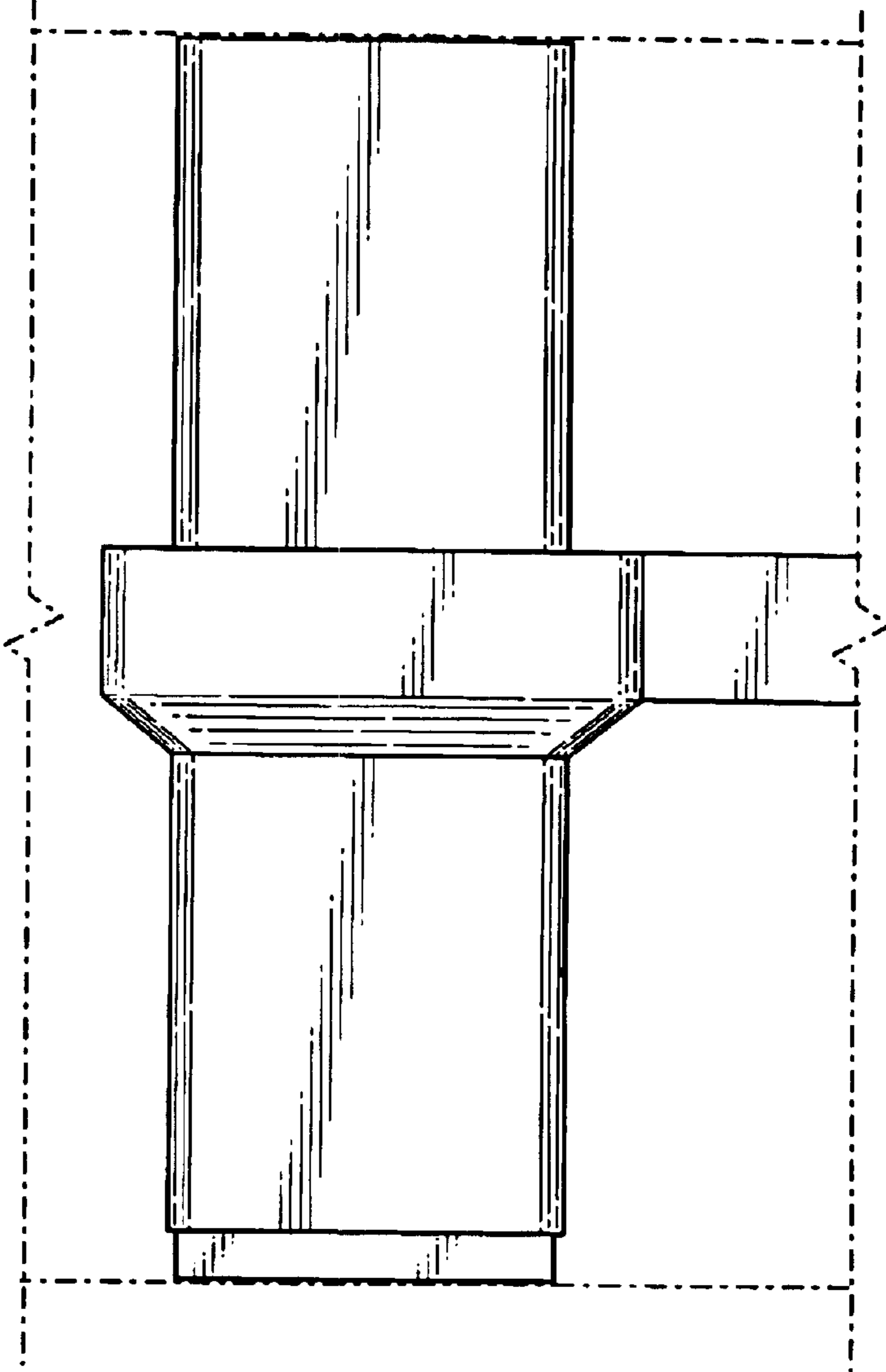


FIG. 5

