

US00D496445S1

(12) **United States Design Patent**
Dimitriadis et al.

(10) **Patent No.:** **US D496,445 S**
(45) **Date of Patent:** **** Sep. 21, 2004**

(54) **SHOWER UNIT**

D480,457 S * 10/2003 Dimitriadis et al. D23/304

(75) Inventors: **Andreas Dimitriadis**, Leinzell (DE);
Tom Schönherr, Stuttgart (DE);
Andreas Haug, Stuttgart (DE); **Peter Kolin**, Schwäbisch-Gmünd (DE)

(73) Assignee: **Hansgrohe AG**, Schiltach (DE)

(**) Term: **14 Years**

(21) Appl. No.: **29/174,824**

(22) Filed: **Jan. 27, 2003**

(30) **Foreign Application Priority Data**

Jul. 27, 2002 (DE) 4 02 06 282

(51) **LOC (7) Cl.** **23-02**

(52) **U.S. Cl.** **D23/304**

(58) **Field of Search** D23/270, 275,
D23/279, 283, 303, 304; 4/552, 605, 596-597,
615

(56) **References Cited**

U.S. PATENT DOCUMENTS

D445,172 S * 7/2001 Slothower D23/304

OTHER PUBLICATIONS

Condor catalog, one page, Feb., 2002.
Aquaviva brochure, one page, Mar., 2001.
GroheteC catalog, one page, Mar., 1999.

* cited by examiner

Primary Examiner—Robert A. Delehanty
(74) *Attorney, Agent, or Firm*—Duane Morris LLP

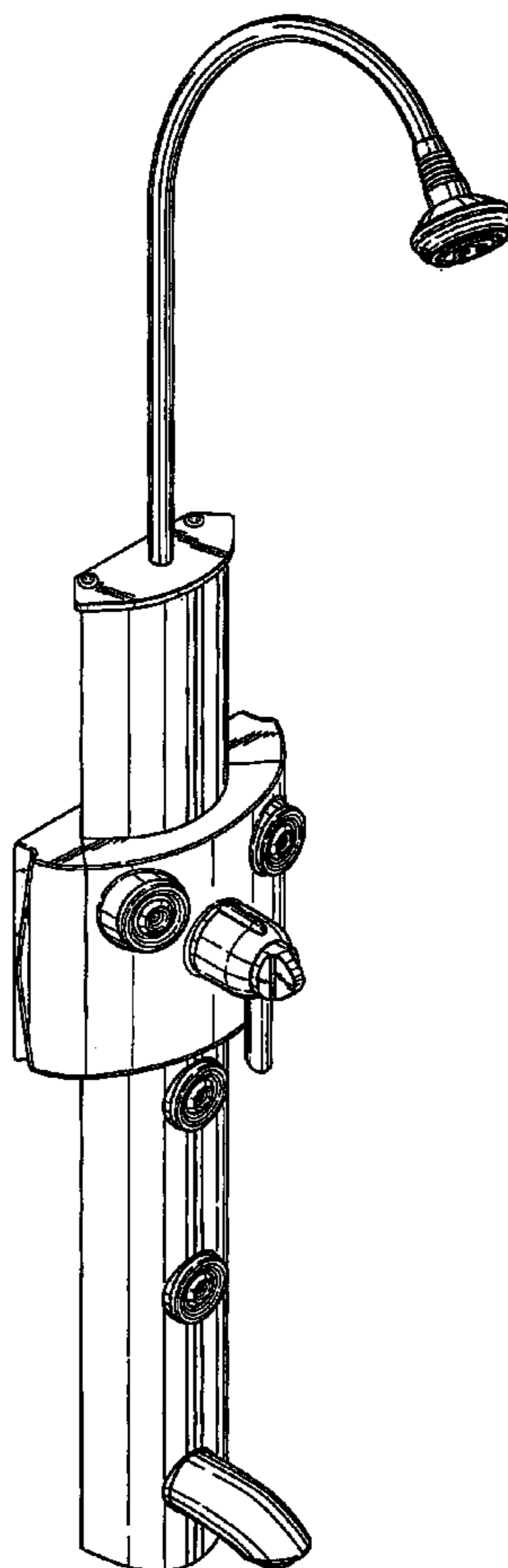
(57) **CLAIM**

The ornamental design for a shower unit, as shown and described.

DESCRIPTION

FIG. 1: is a side perspective view of the shower unit showing our new design;
FIG. 2: is a front elevation view thereof;
FIG. 3: is a side elevation view thereof;
FIG. 4: is a rear elevation view thereof;
FIG. 5: is the opposite side elevation view thereof;
FIG. 6: is a top plan view thereof; and,
FIG. 7: is a bottom plan view thereof.

1 Claim, 4 Drawing Sheets



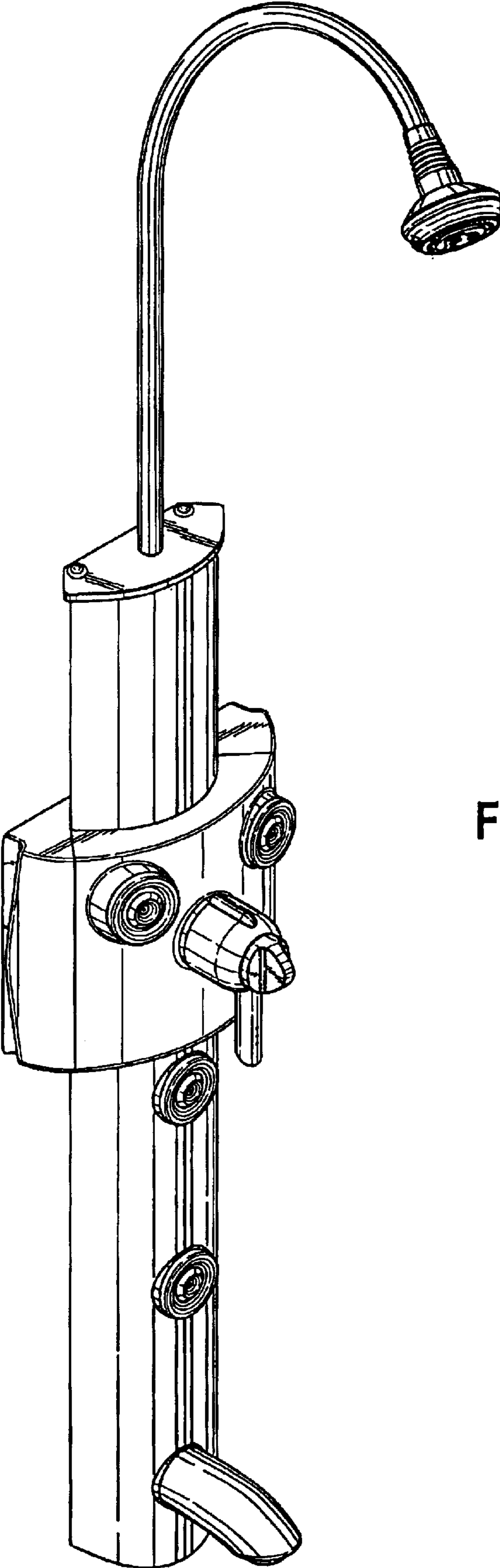


FIG. 1

FIG. 2

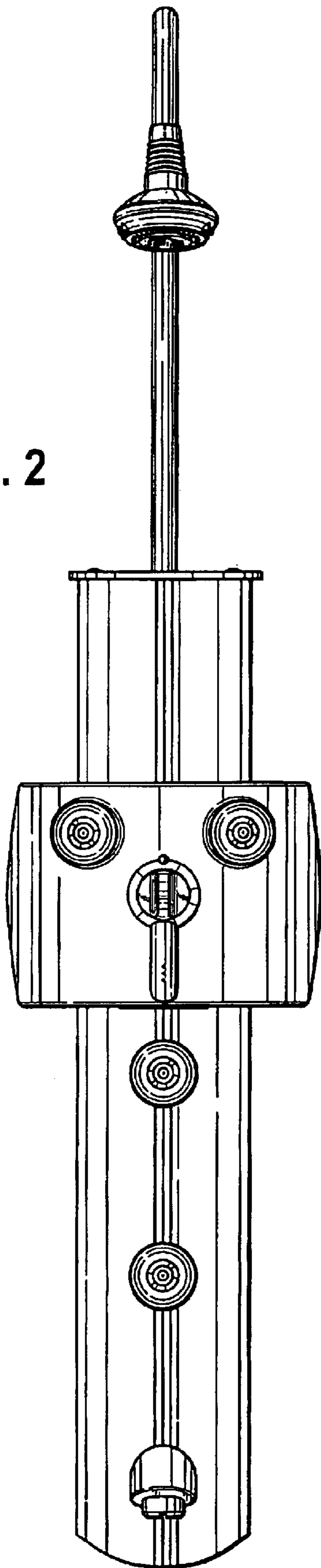


FIG. 3

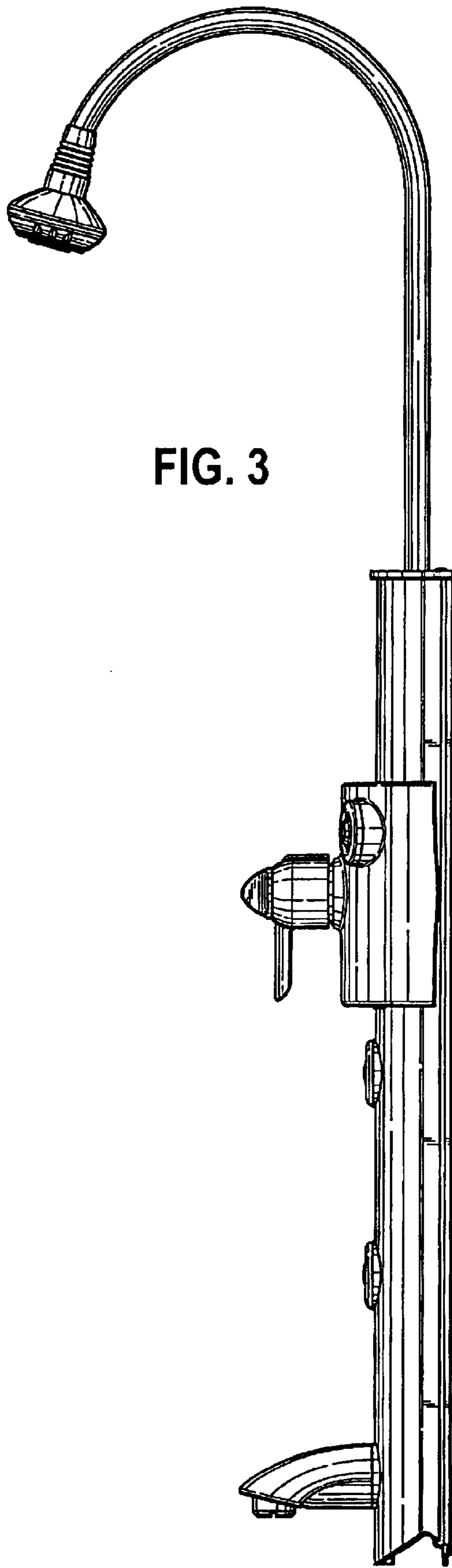


FIG. 4

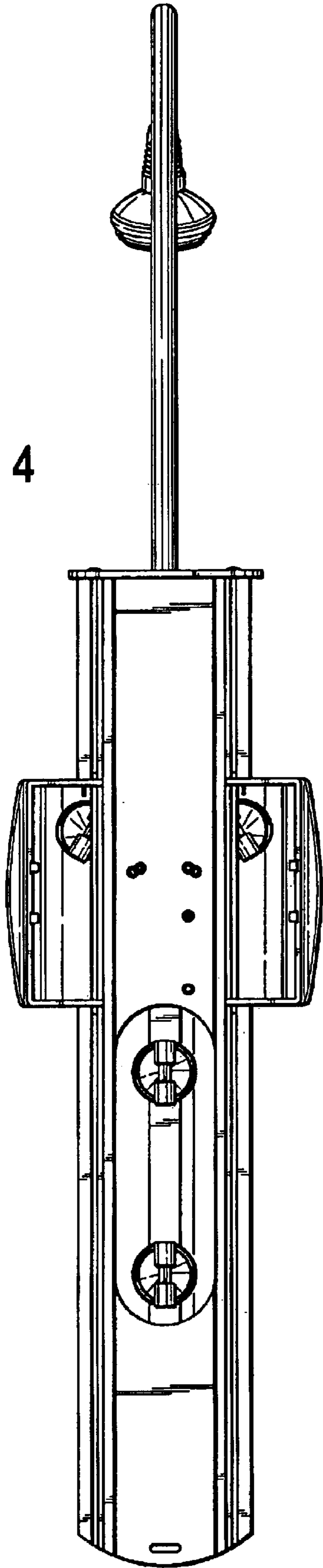
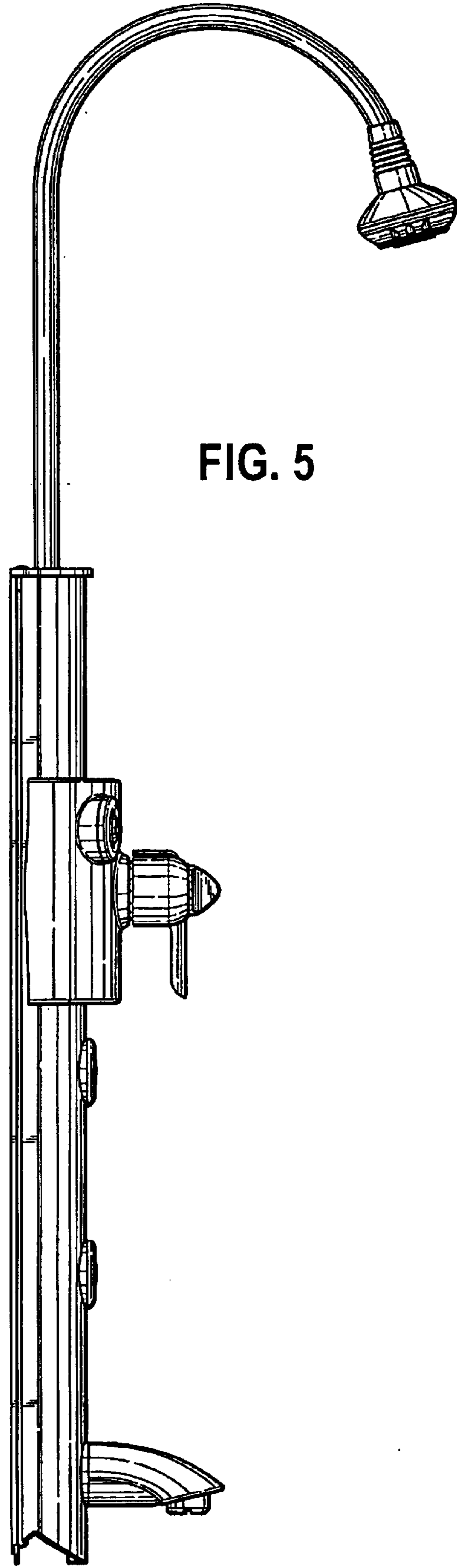


FIG. 5



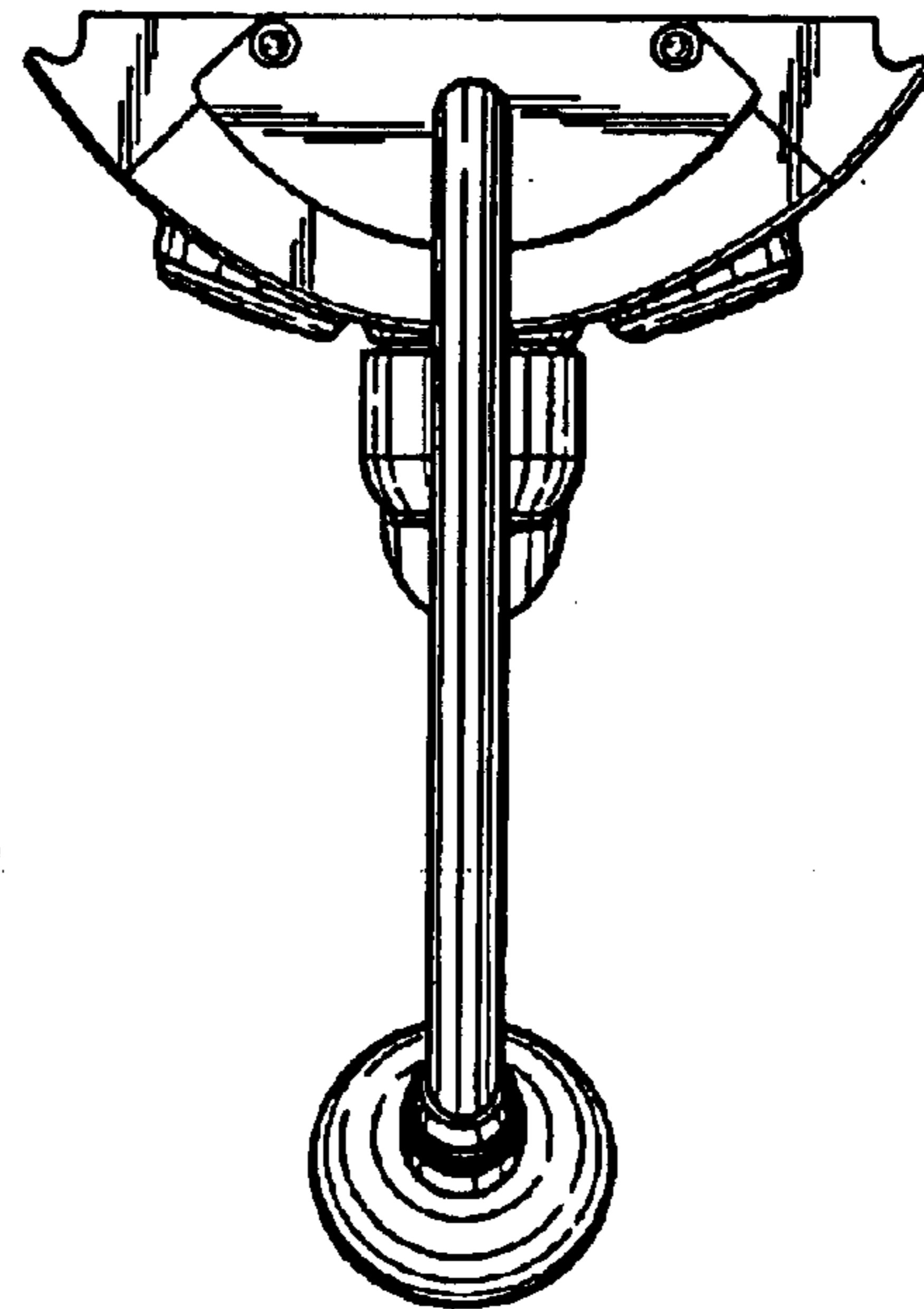


FIG. 6

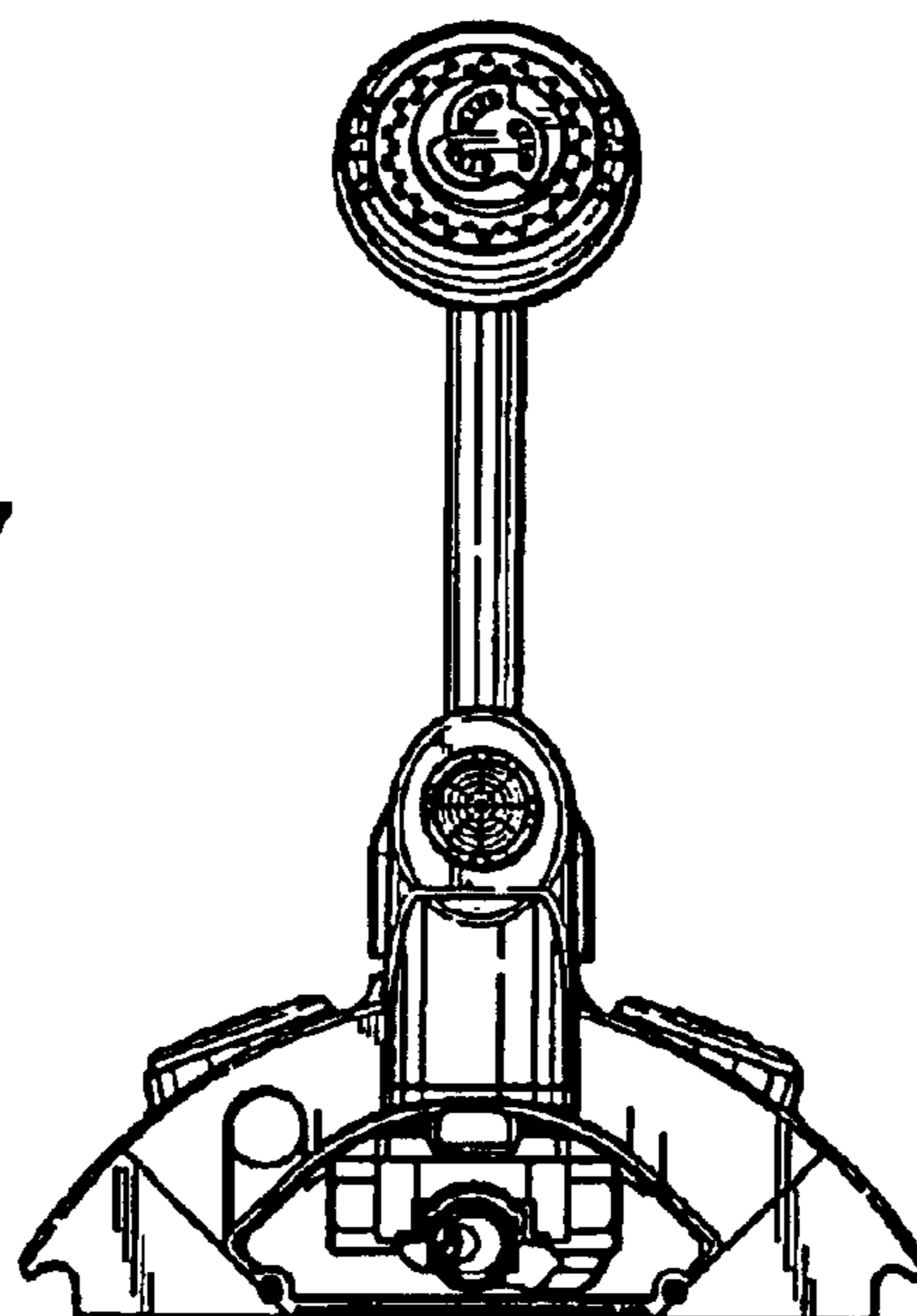


FIG. 7