

US00D496443S1

(12) **United States Design Patent** (10) **Patent No.:** **US D496,443 S**  
**Bates** (45) **Date of Patent:** **\*\* Sep. 21, 2004**

(54) **WATER CLOSET**

(75) Inventor: **Michael R. Bates**, Sheboygan, WI (US)

(73) Assignee: **Kohler Co.**, Kohler, WI (US)

(\*\*) Term: **14 Years**

(21) Appl. No.: **29/179,494**

(22) Filed: **Apr. 10, 2003**

(51) **LOC (7) Cl.** ..... **23-02**

(52) **U.S. Cl.** ..... **D23/301**

(58) **Field of Search** ..... D23/273-274,  
D23/295-299, 301, 303, 309; 4/663-665,  
300, 329, 353-354, DIG. 15

(56) **References Cited**

**U.S. PATENT DOCUMENTS**

D353,449 S	12/1994	Kohler, Jr. et al.	.....	D23/295
D424,182 S	*	5/2000 Svendsen	.....	D23/301
D443,052 S		5/2001 McKeone et al.	.....	D23/313
D455,201 S	*	4/2002 Jones et al.	.....	D23/301
D457,607 S	*	5/2002 Moll	.....	D23/301
D477,387 S	*	7/2003 Tani et al.	.....	D23/301
D478,376 S	*	8/2003 Kawamura et al.	.....	D23/301

**OTHER PUBLICATIONS**

2000 Kohler catalog ad, p. 6.9, showing an "Iron Works Tellieur" toilet.

1999 Kallista catalog ad, p. 30, showing a "Kalligraphos" toilet.

\* cited by examiner

*Primary Examiner*—Louis S. Zarfes

*Assistant Examiner*—Robert A Delehanty

(74) *Attorney, Agent, or Firm*—Quarles & Brady LLP

(57) **CLAIM**

The ornamental design for a water closet, as shown and described.

**DESCRIPTION**

In a preferred embodiment, the nature of this product is as a plumbing fixture which is primarily useful for receiving the liquid and solid waste of humans.

FIG. 1 is a left, top, front perspective view of a water closet embodying my new design;

FIG. 2 is a left side elevational view thereof;

FIG. 3 is a right side elevational view thereof;

FIG. 4 is a top plan view thereof;

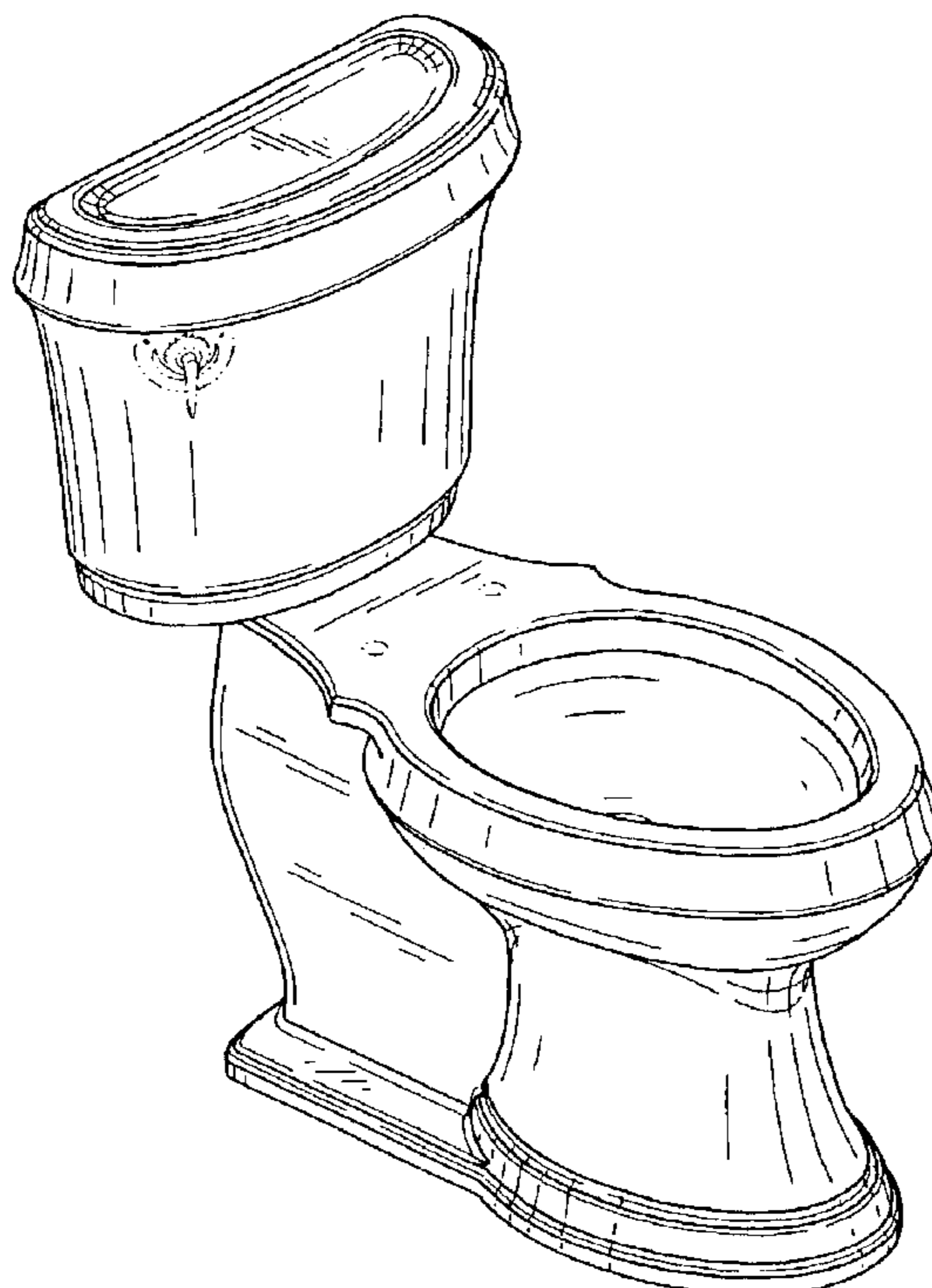
FIG. 5 is a front elevational view thereof;

FIG. 6 is a rear elevational view thereof; and,

FIG. 7 is a bottom plan view thereof (the portion of the bowl abutting the mounting environment which is not seen in normal use is shown for illustration purposes only, and forms no part of the claimed design).

The broken line representations of holes in FIGS. 1, 4, and 7, of a handle in FIGS. 1, 2, 4, and 5, and of a mounting region in FIGS. 1, 2, and 5, are for the purpose of illustration only, and form no part of the claimed design.

**1 Claim, 4 Drawing Sheets**



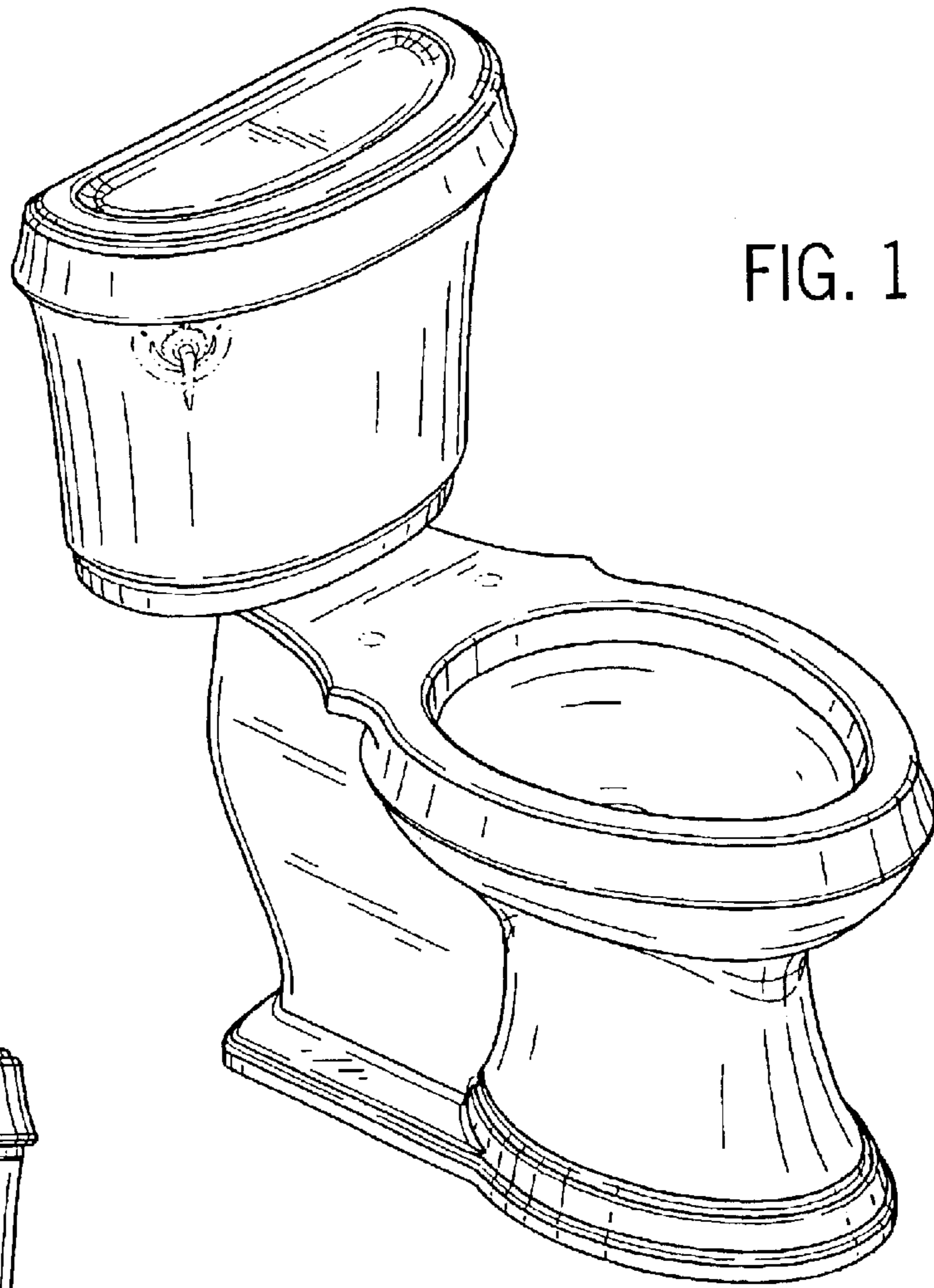


FIG. 1

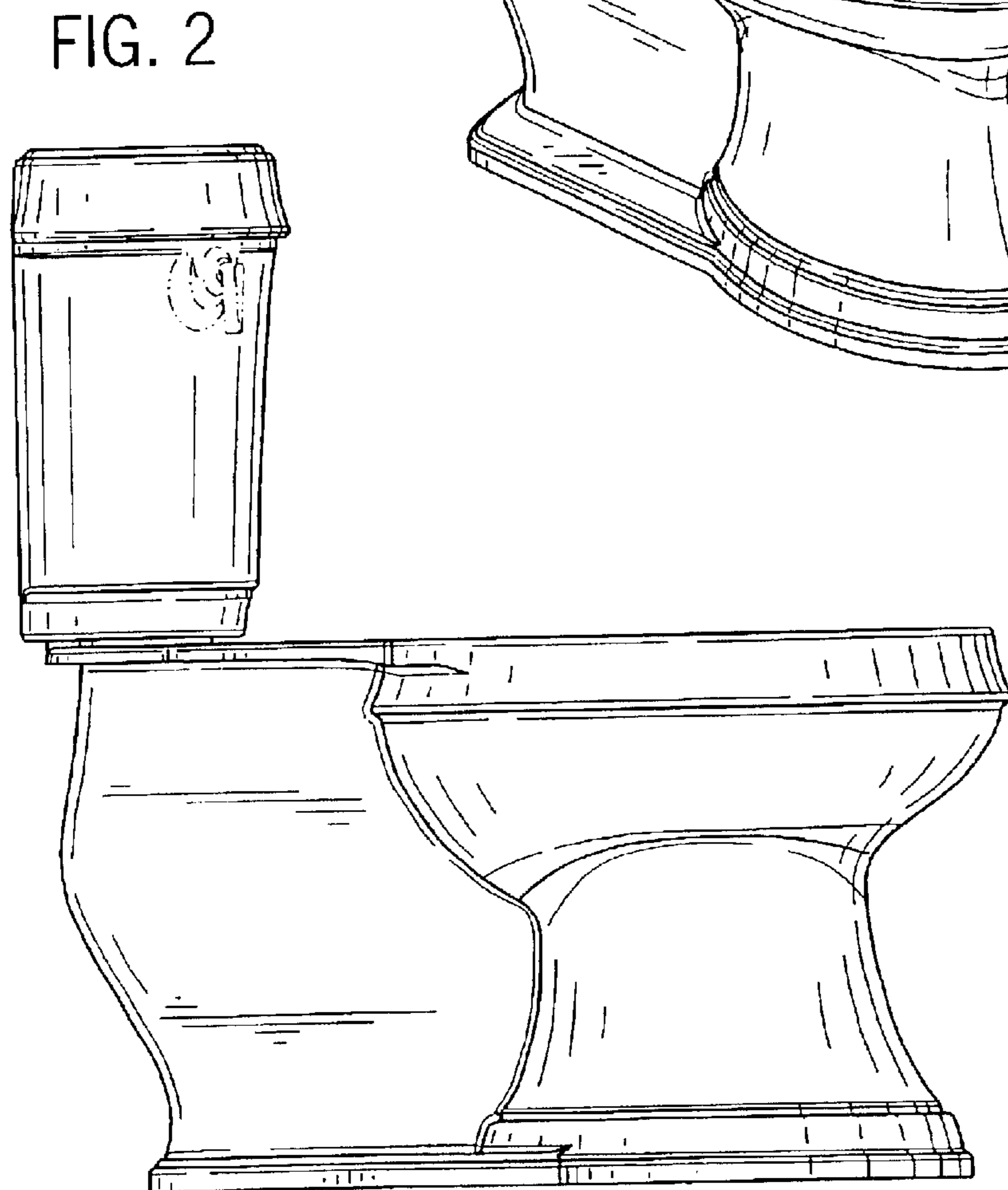


FIG. 2

FIG. 3

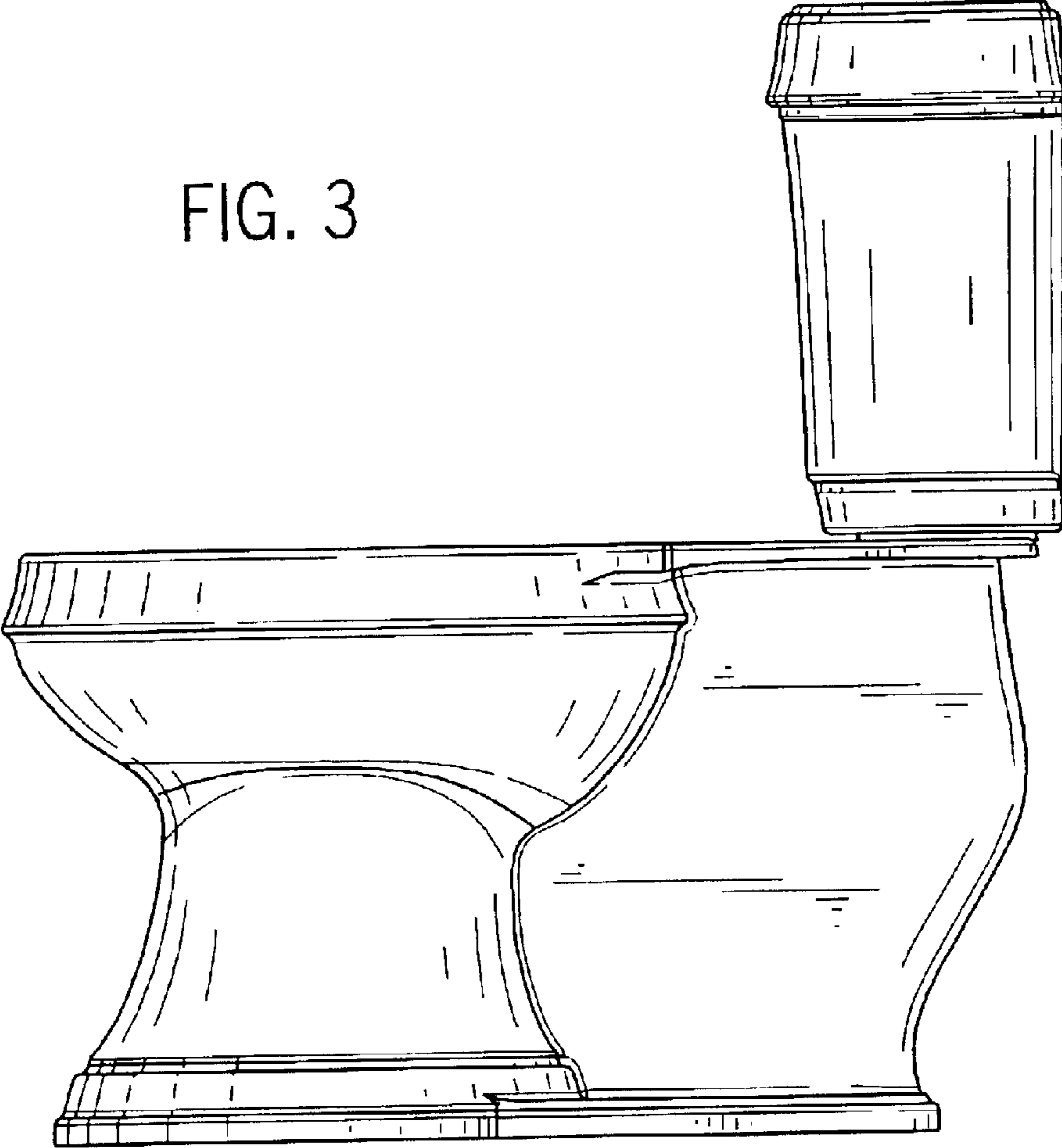
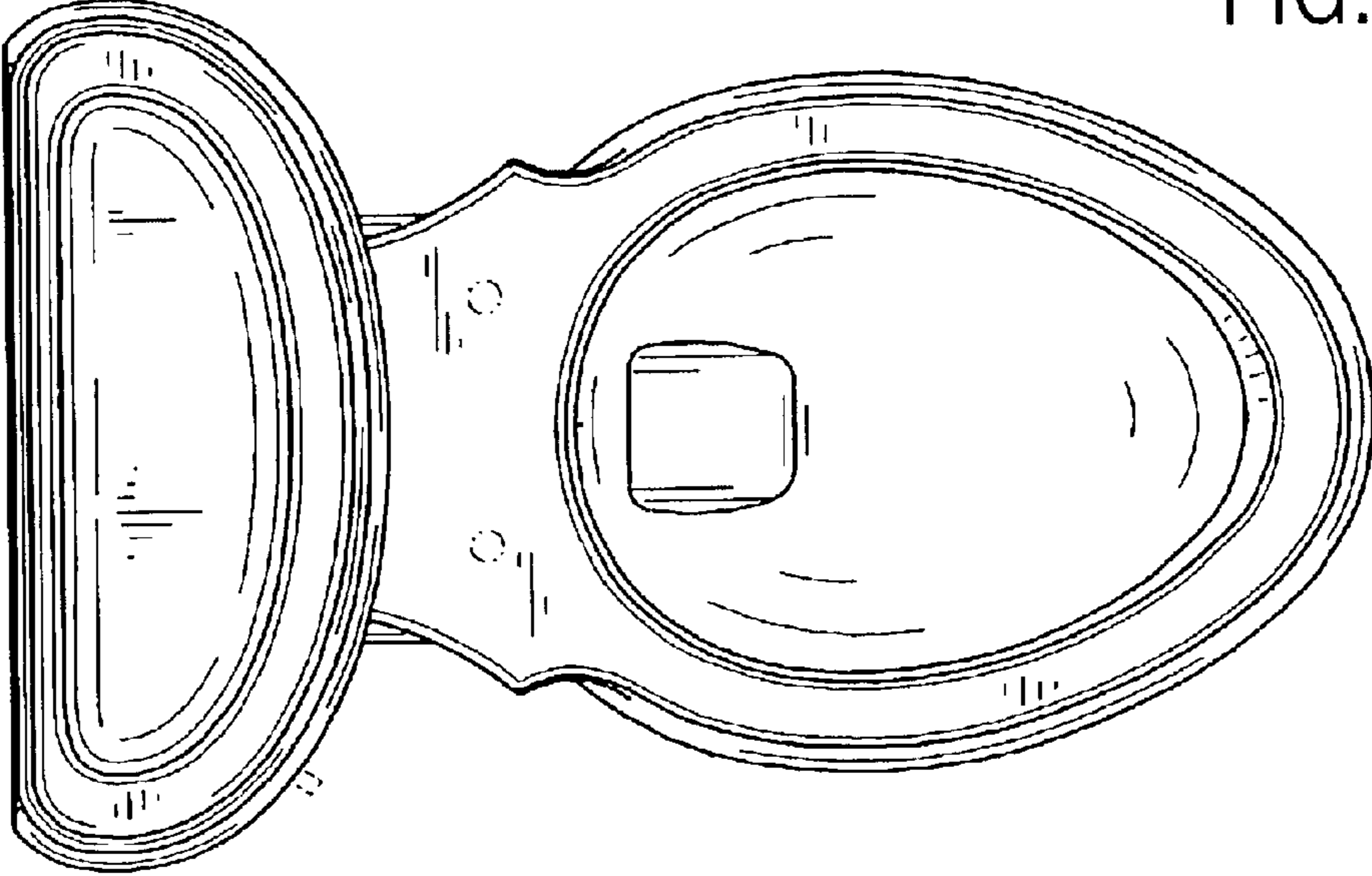


FIG. 4



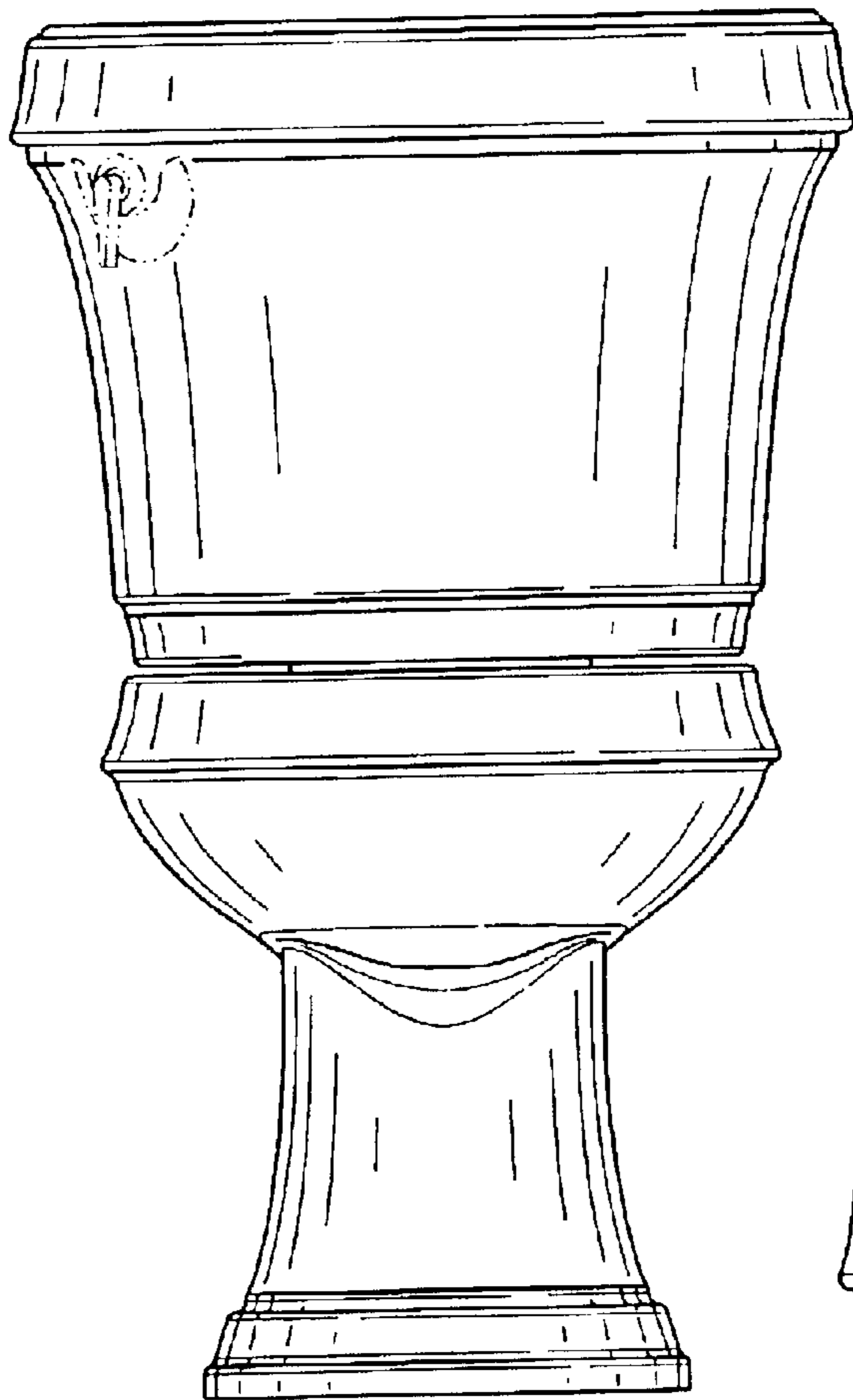


FIG. 5

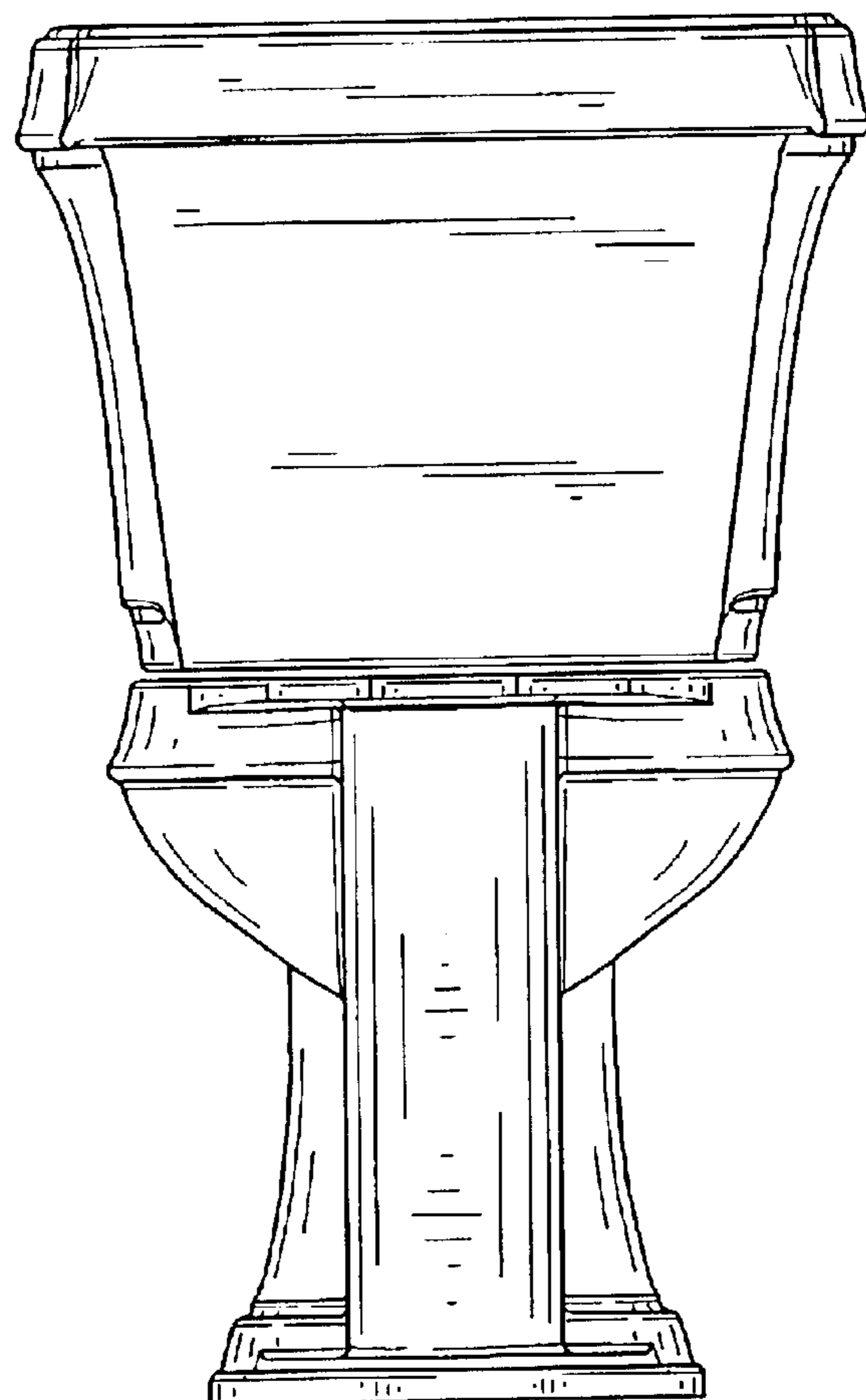


FIG. 6

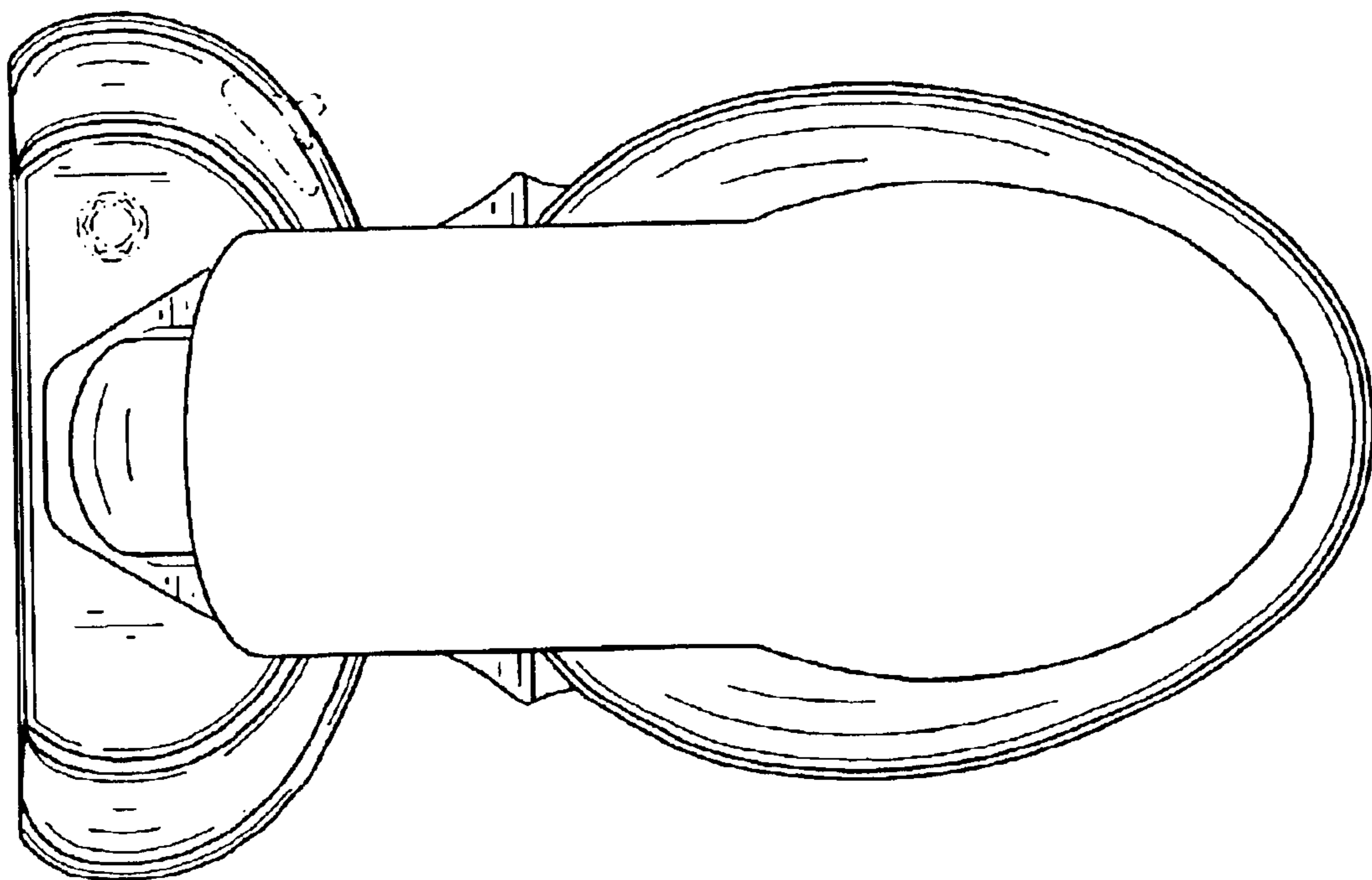


FIG. 7