

US00D496442S1

(12) **United States Design Patent** (10) **Patent No.:** **US D496,442 S**
Bates (45) **Date of Patent:** **** Sep. 21, 2004**

- (54) **BOWL FOR WATER CLOSET**
- (75) Inventor: **Michael R. Bates**, Sheboygan, WI (US)
- (73) Assignee: **Kohler Co.**, Kohler, WI (US)
- (**) Term: **14 Years**
- (21) Appl. No.: **29/179,540**
- (22) Filed: **Apr. 10, 2003**
- (51) **LOC (7) Cl.** **23-02**
- (52) **U.S. Cl.** **D23/295**
- (58) **Field of Search** D23/273-274,
D23/295-299, 301, 303, 309; 4/663-665,
300, 329, 353-354, DIG. 15

- (56) **References Cited**
- U.S. PATENT DOCUMENTS**
- D353,449 S 12/1994 Kohler, Jr. et al.
- D424,182 S * 5/2000 Svendsen D23/301
- D429,801 S * 8/2000 Svendsen D23/295
- D455,201 S * 4/2002 Jones et al. D23/301
- D457,607 S * 5/2002 Moll D23/301
- D477,387 S * 7/2003 Tani et al. D23/301
- D478,376 S * 8/2003 Kawamura et al. D23/301

OTHER PUBLICATIONS

2000 Kohler catalog ad, p. 6.9, showing an “Iron Works Tellieur” toilet.

1999 Kallista catalog ad, p. 30, showing a “Kalligraphos” toilet.

* cited by examiner

Primary Examiner—Louis S. Zarfes
Assistant Examiner—Robert A Delehanty
 (74) *Attorney, Agent, or Firm*—Quarles & Brady LLP

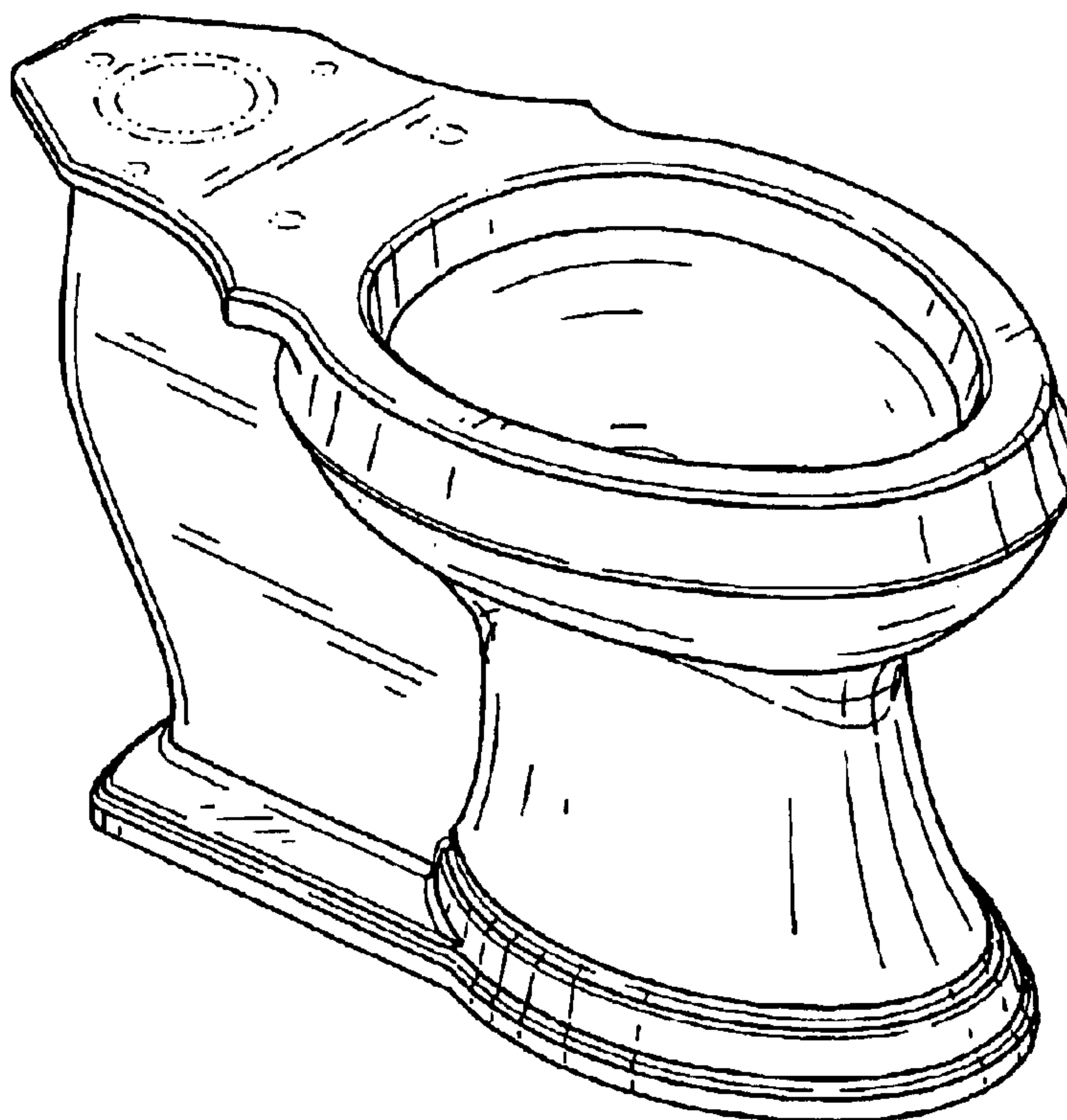
(57) **CLAIM**

The ornamental design for a bowl for water closet, as shown and described.

DESCRIPTION

FIG. 1 is a left, top, front perspective view of a bowl for water closet embodying my new design;
 FIG. 2 is a left side elevational view thereof, the right side elevational view being a mirror image of the left side shown;
 FIG. 3 is a top plan view thereof;
 FIG. 4 is a front elevational view thereof;
 FIG. 5 is a rear elevational view thereof; and,
 FIG. 6 is a bottom plan view thereof (the portion of the bowl abutting the mounting environment which is not seen in normal use is shown for illustration purposes only, and forms no part of the claimed design).
 The broken line representations of holes in FIGS. 1 and 3 are for the purpose of illustration only, and form no part of the claimed design.

1 Claim, 3 Drawing Sheets



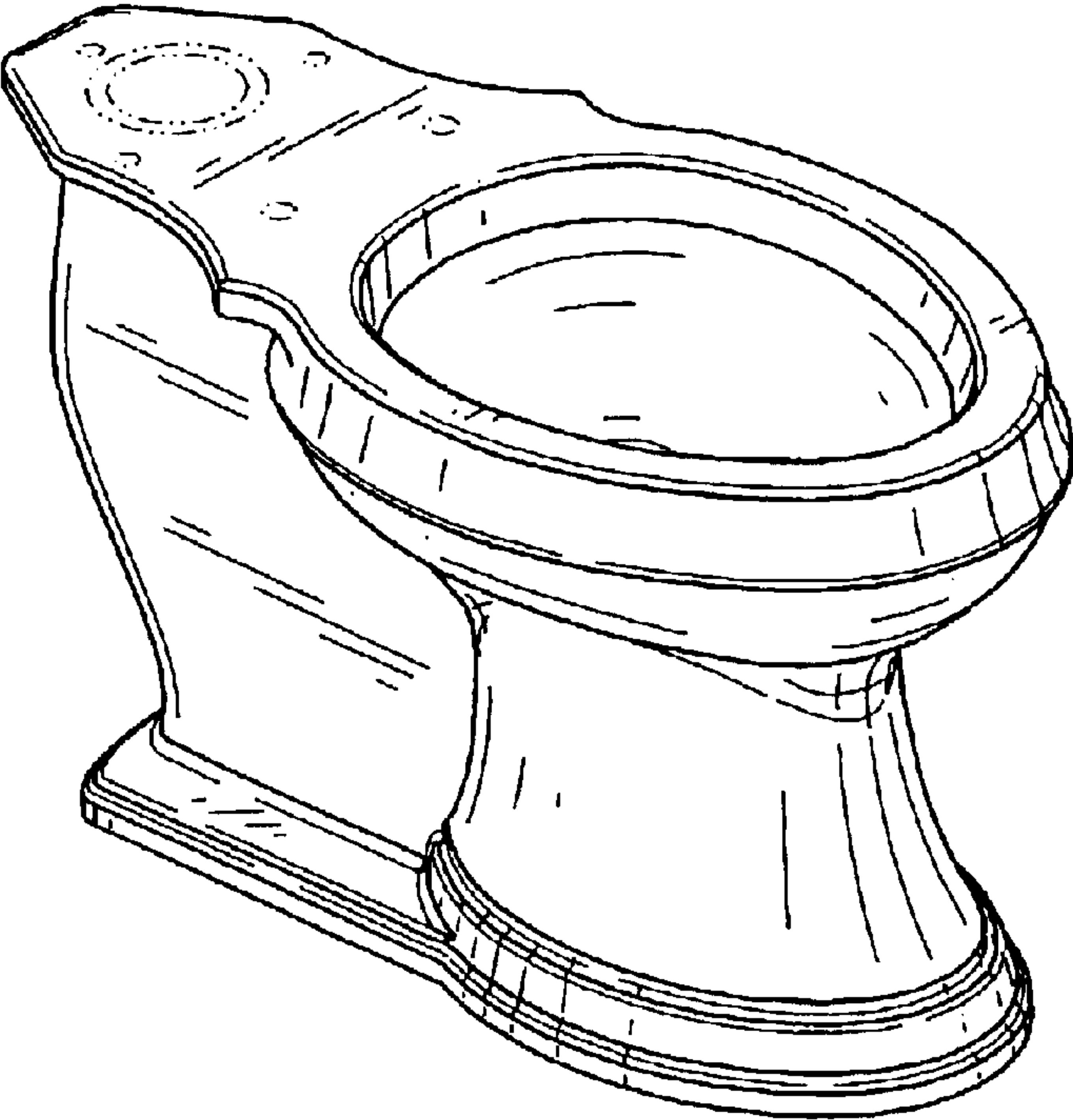


FIG. 1

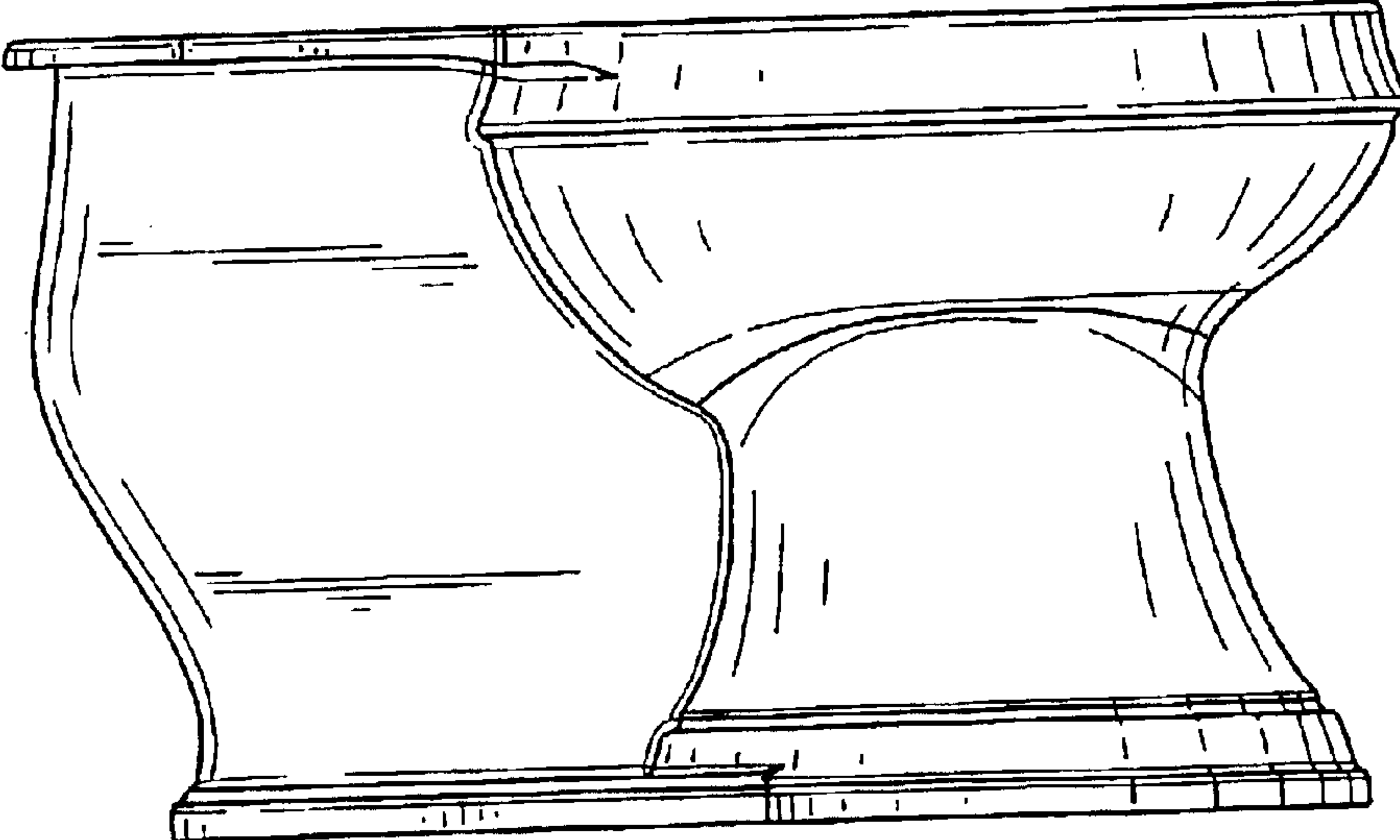


FIG. 2

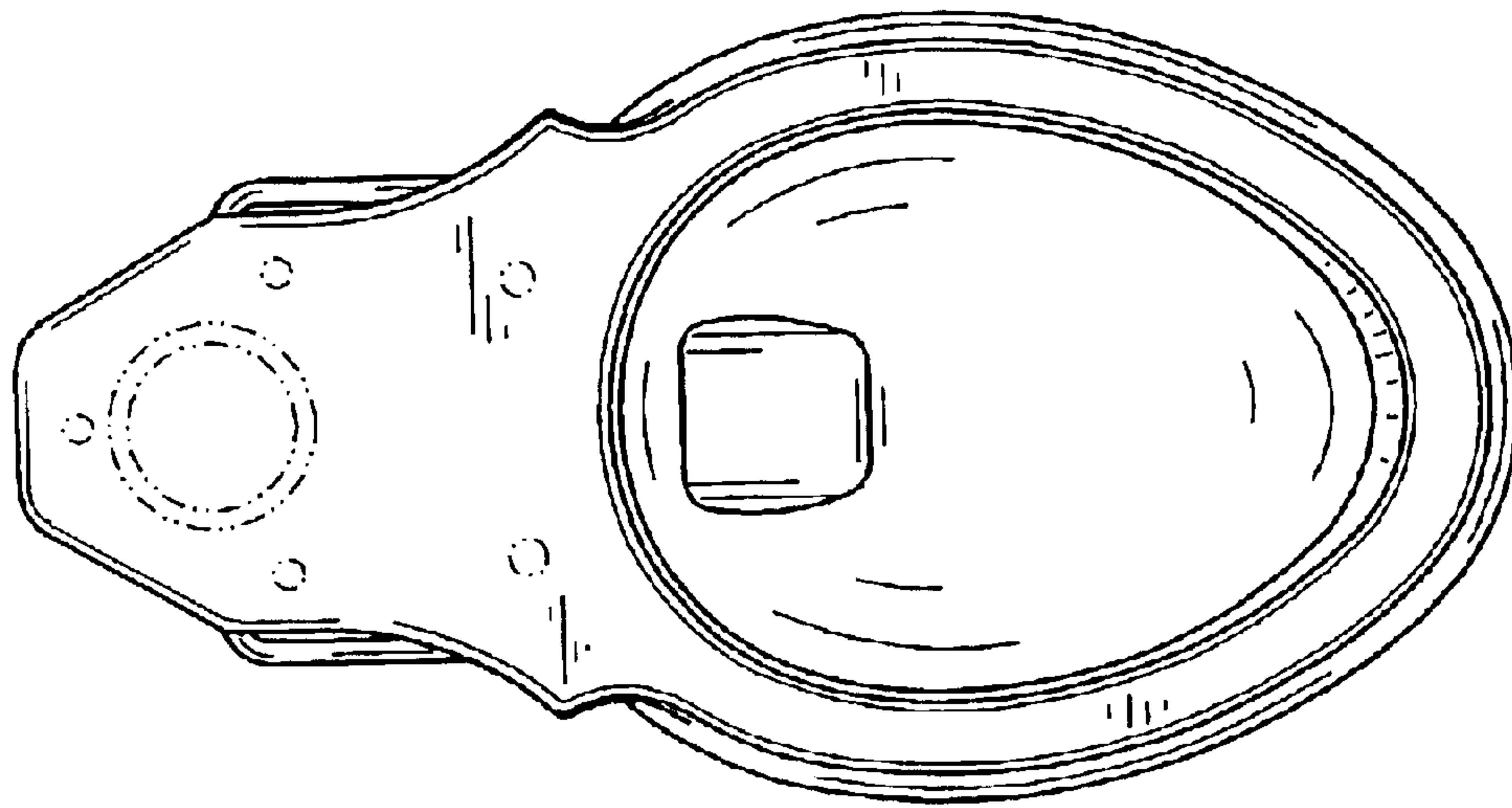


FIG. 3

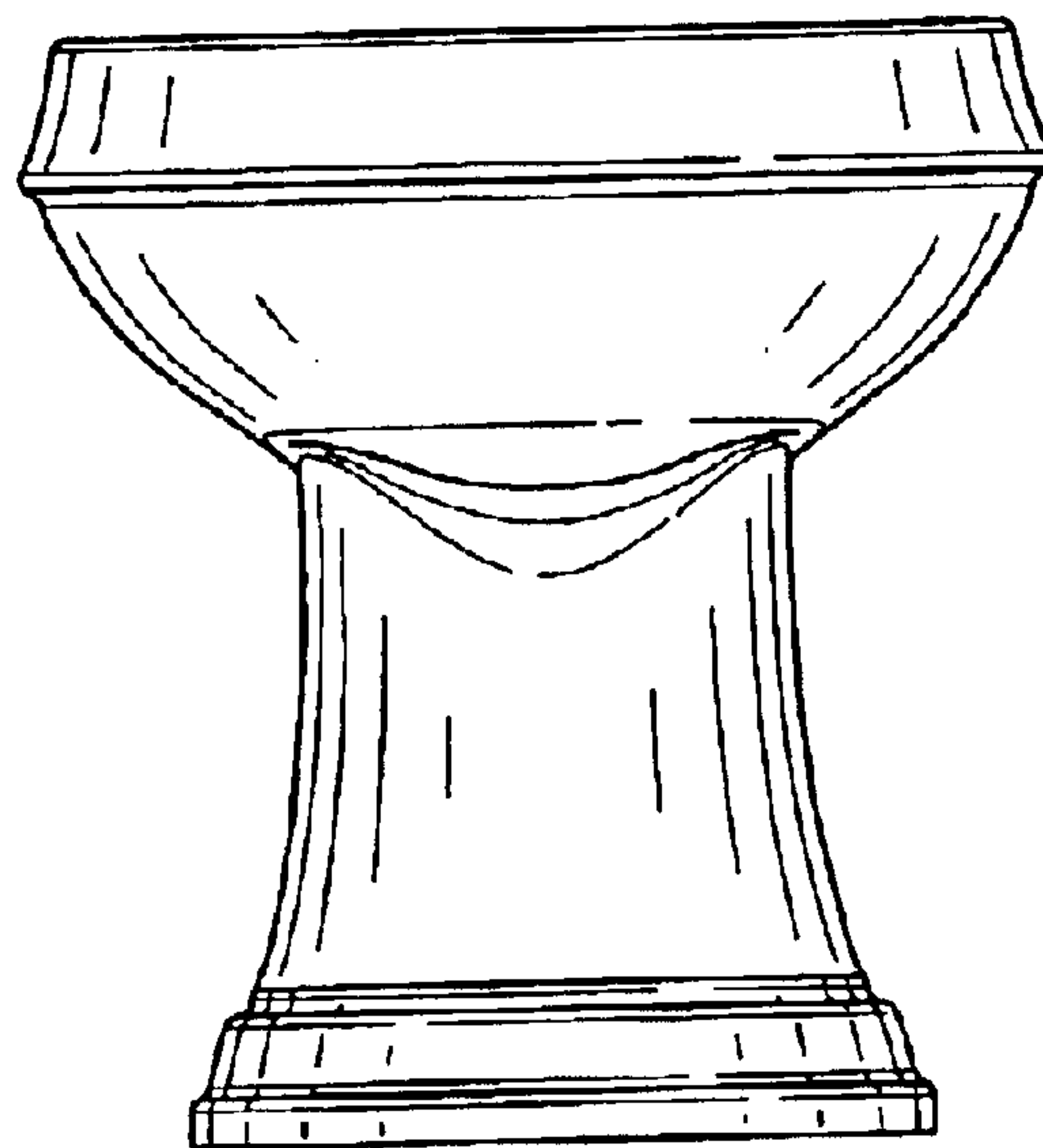


FIG. 4

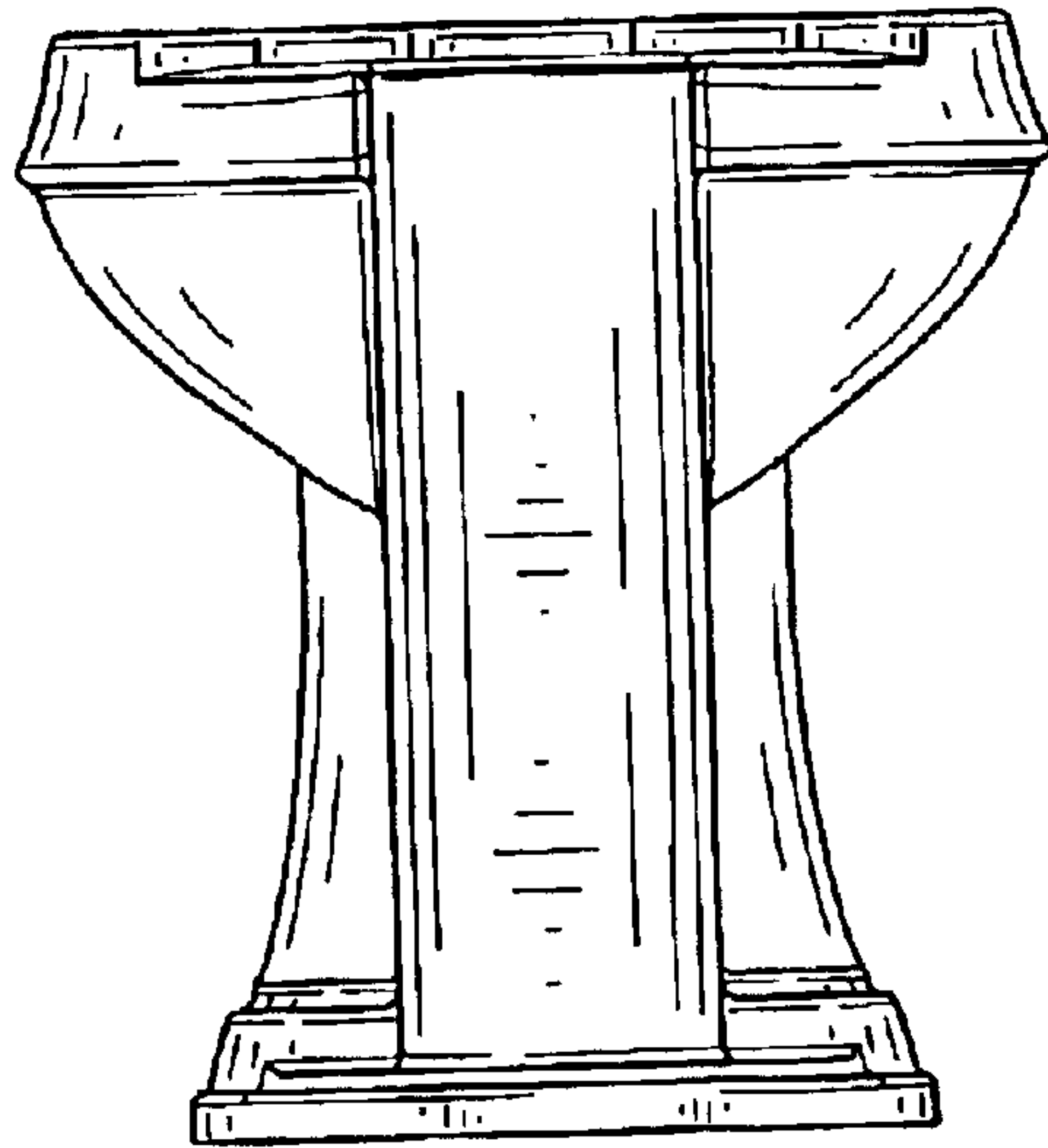


FIG. 5

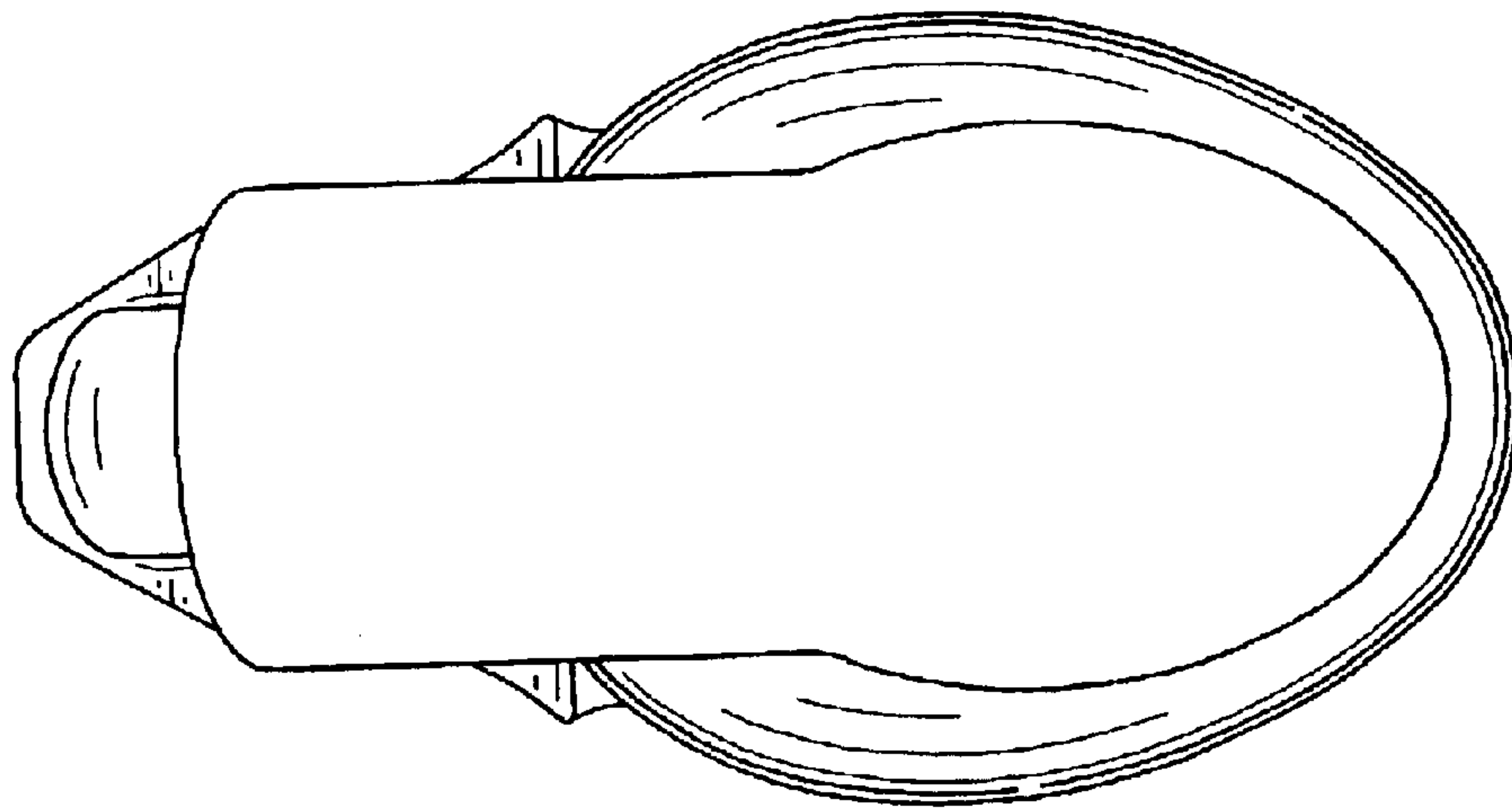


FIG. 6