

US00D496440S1

(12) **United States Design Patent**
Helmetsie et al.

(10) **Patent No.:** **US D496,440 S**
(45) **Date of Patent:** **** Sep. 21, 2004**

(54) **CORNER PANEL FOR SHOWER ENCLOSURE**

(75) Inventors: **Eugene A. Helmetsie**, Spencer, NY (US); **Harper F. Zarker, Jr.**, Lumberton, NJ (US); **Tomasz Pracel**, Spencer, NY (US)

(73) Assignee: **American Shower & Bath Corp.**, Moorestown, NJ (US)

(**) Term: **14 Years**

(21) Appl. No.: **29/187,684**

(22) Filed: **Aug. 5, 2003**

(51) **LOC (7) Cl.** **23-02**

(52) **U.S. Cl.** **D23/283**

(58) **Field of Search** D23/270, 275, D23/279, 283, 303, 304-307; 4/552, 596-598, 607-615, 555-558, 601, 604-605

(56) **References Cited**

U.S. PATENT DOCUMENTS

D385,019 S * 10/1997 Sadler D23/283
6,470,511 B1 * 10/2002 Smale 4/608

OTHER PUBLICATIONS

Aqua Glass: La Voyage shower, p. 12, c. 1990 NPL shoe.*

* cited by examiner

Primary Examiner—Robert A. Delehanty
(74) *Attorney, Agent, or Firm*—Edgar A. Zarins; Lloyd D. Doigan

(57) **CLAIM**

The ornamental design for a corner panel for shower enclosure, as shown and described.

DESCRIPTION

FIG. 1 is a perspective view of a corner panel for shower enclosure showing our new design;

FIG. 2 is a top plan view thereof, taken along lines 2—2 of FIG. 1;

FIG. 3 is a cross-sectional view taken along lines 3—3 of FIG. 2;

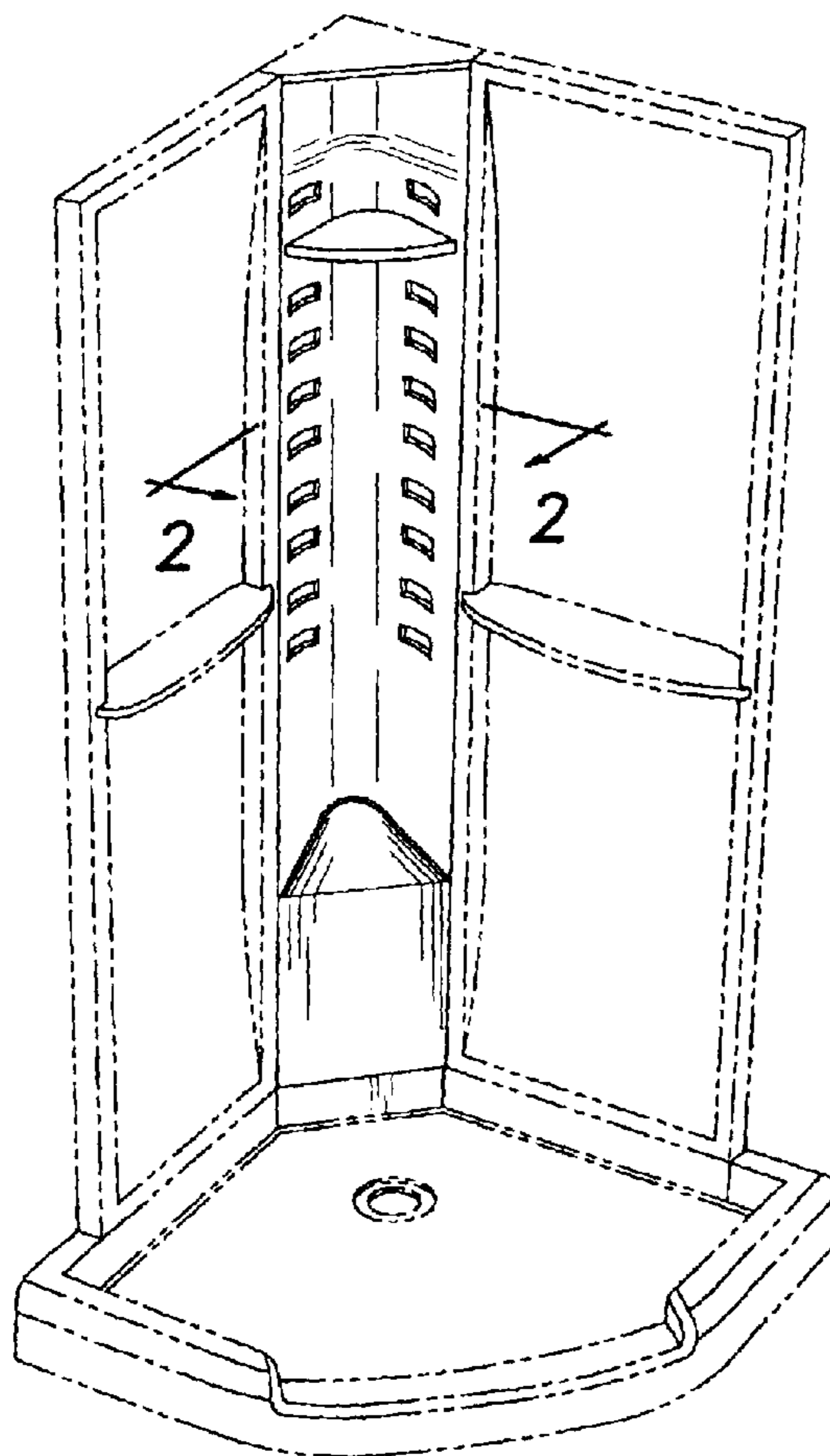
FIG. 4 is a top plan view thereof;

FIG. 5 is a side view thereof; and,

FIG. 6 is a front view thereof.

The broken line showing of portions of the shower enclosure is for illustrative purposes only and forms no part of the claimed design.

1 Claim, 2 Drawing Sheets



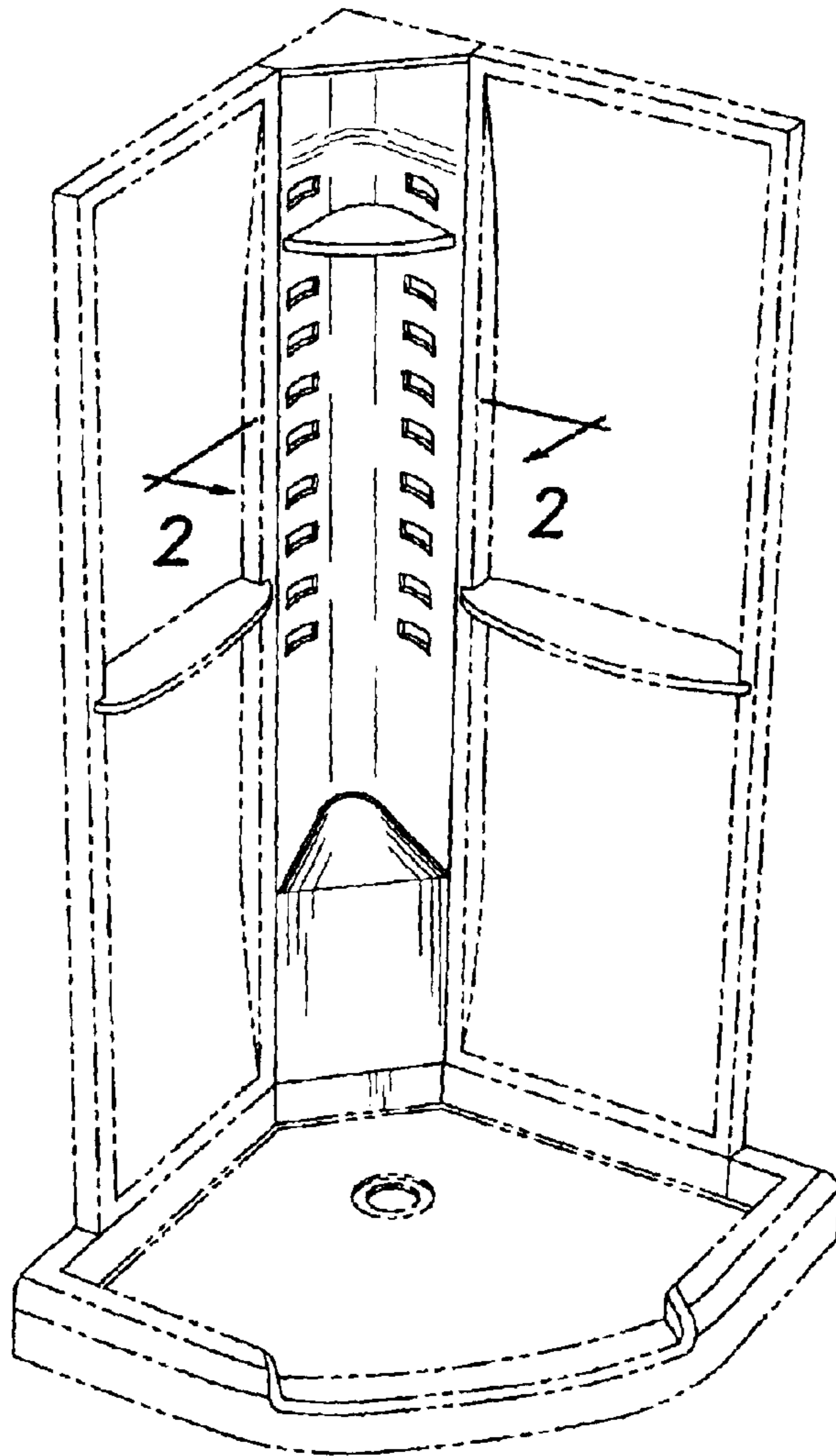


Fig-1

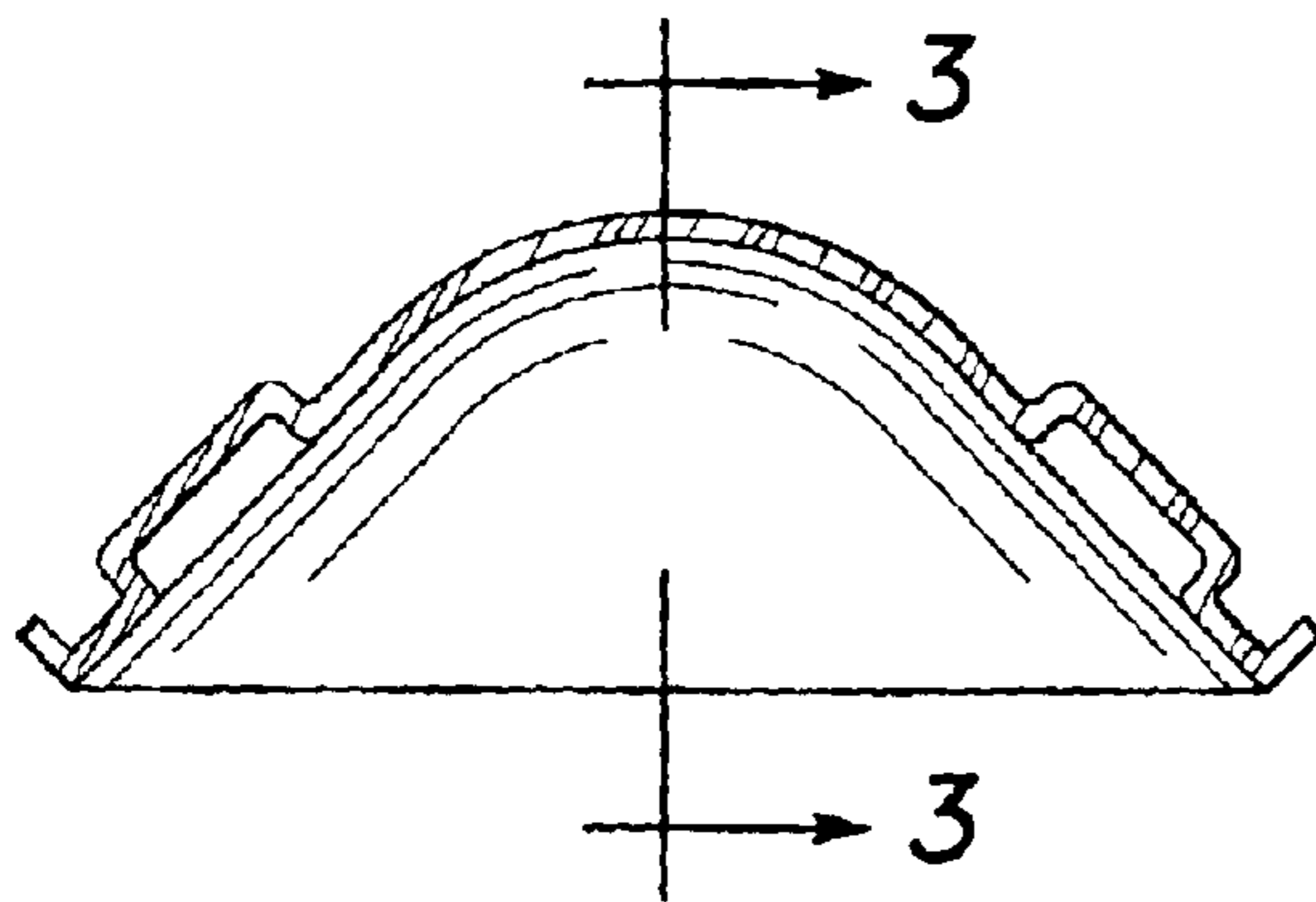


Fig-2

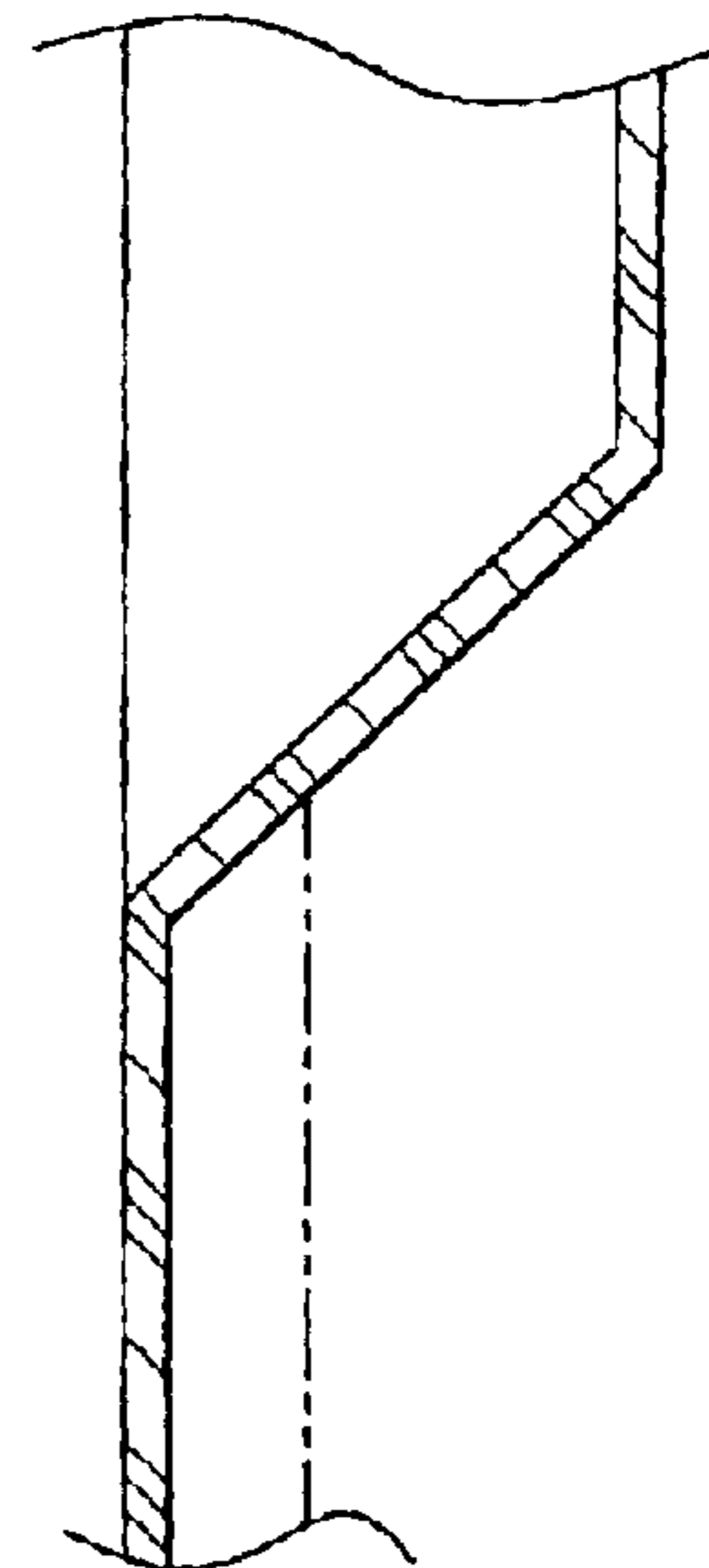


Fig-3

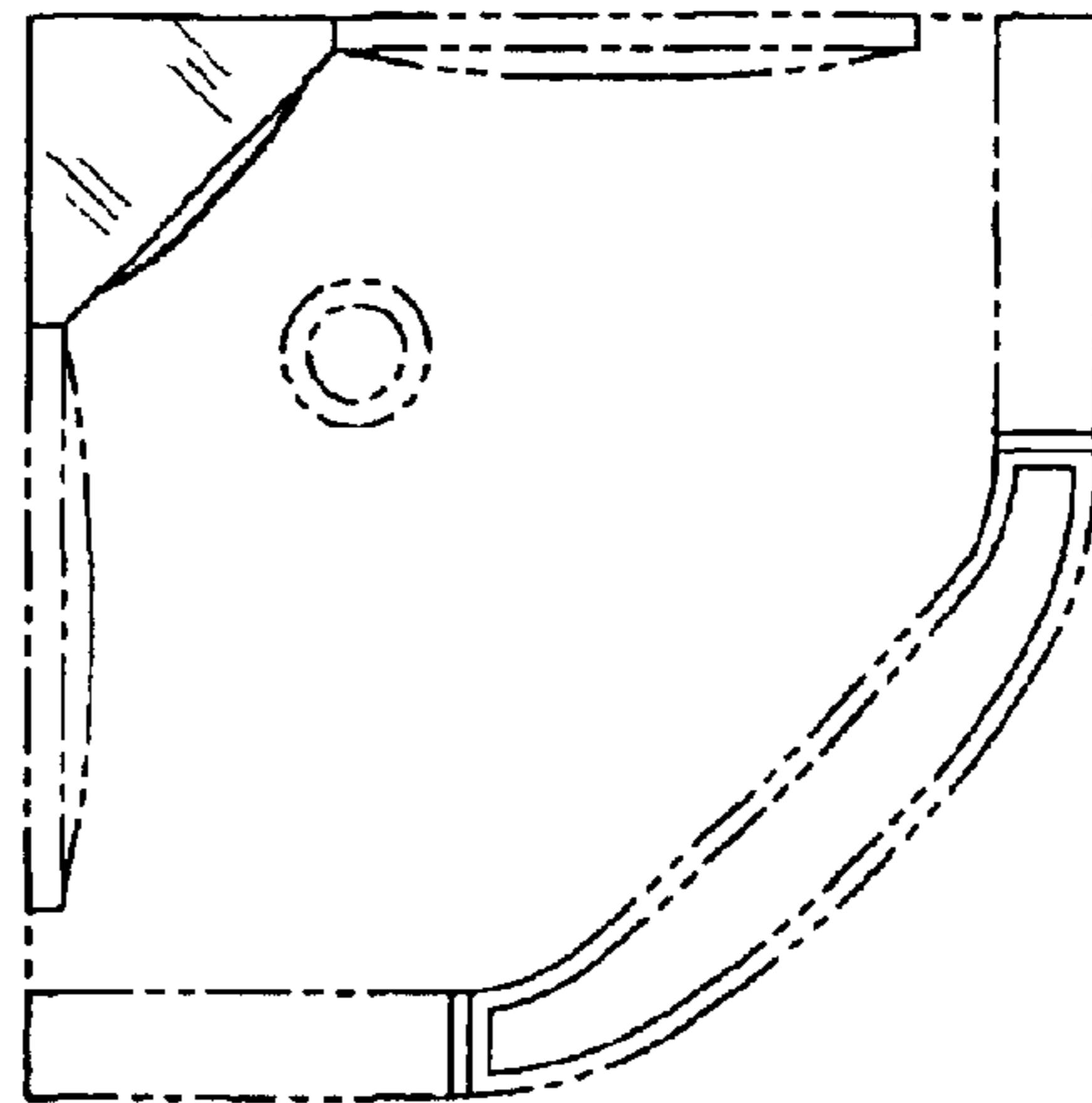


Fig-4

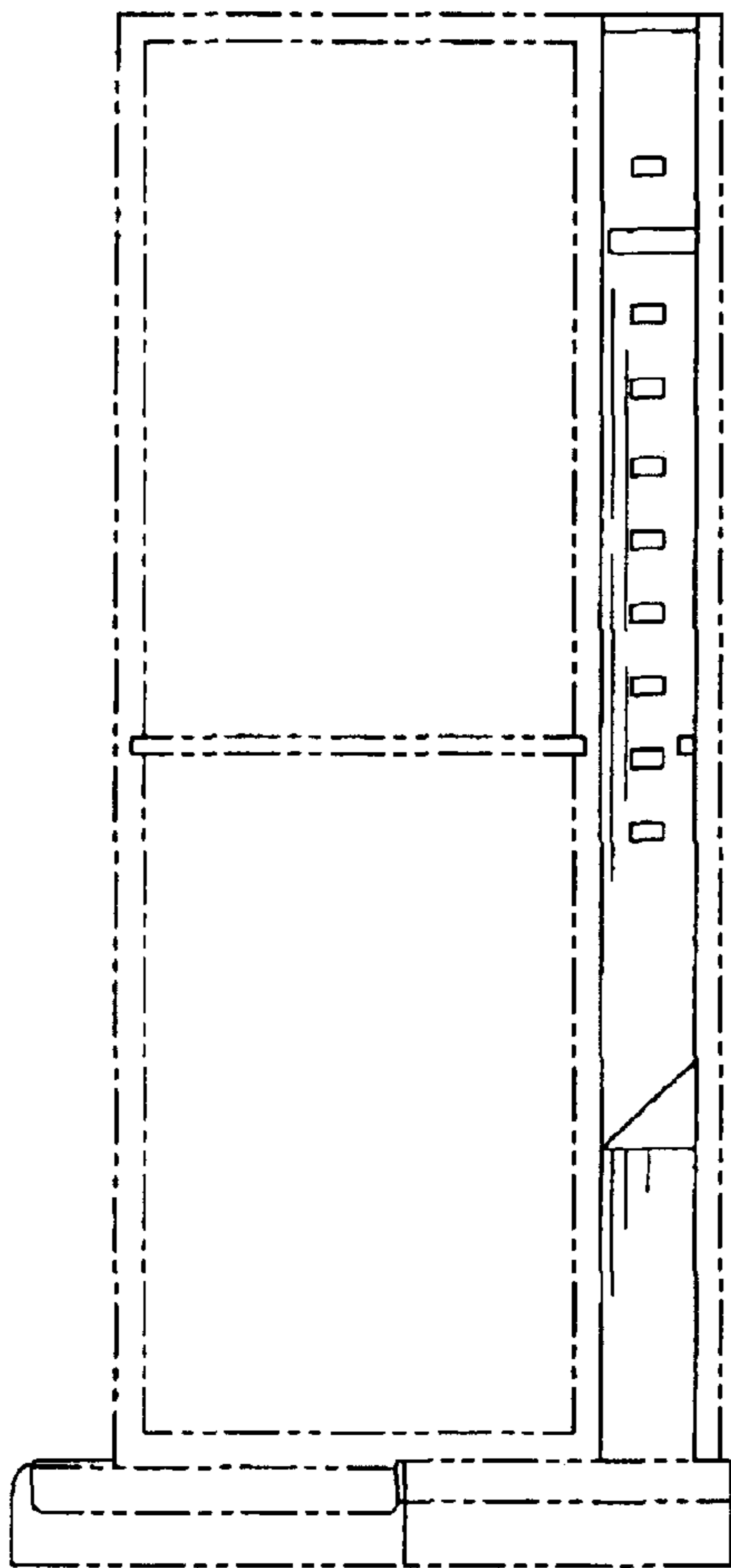


Fig-5

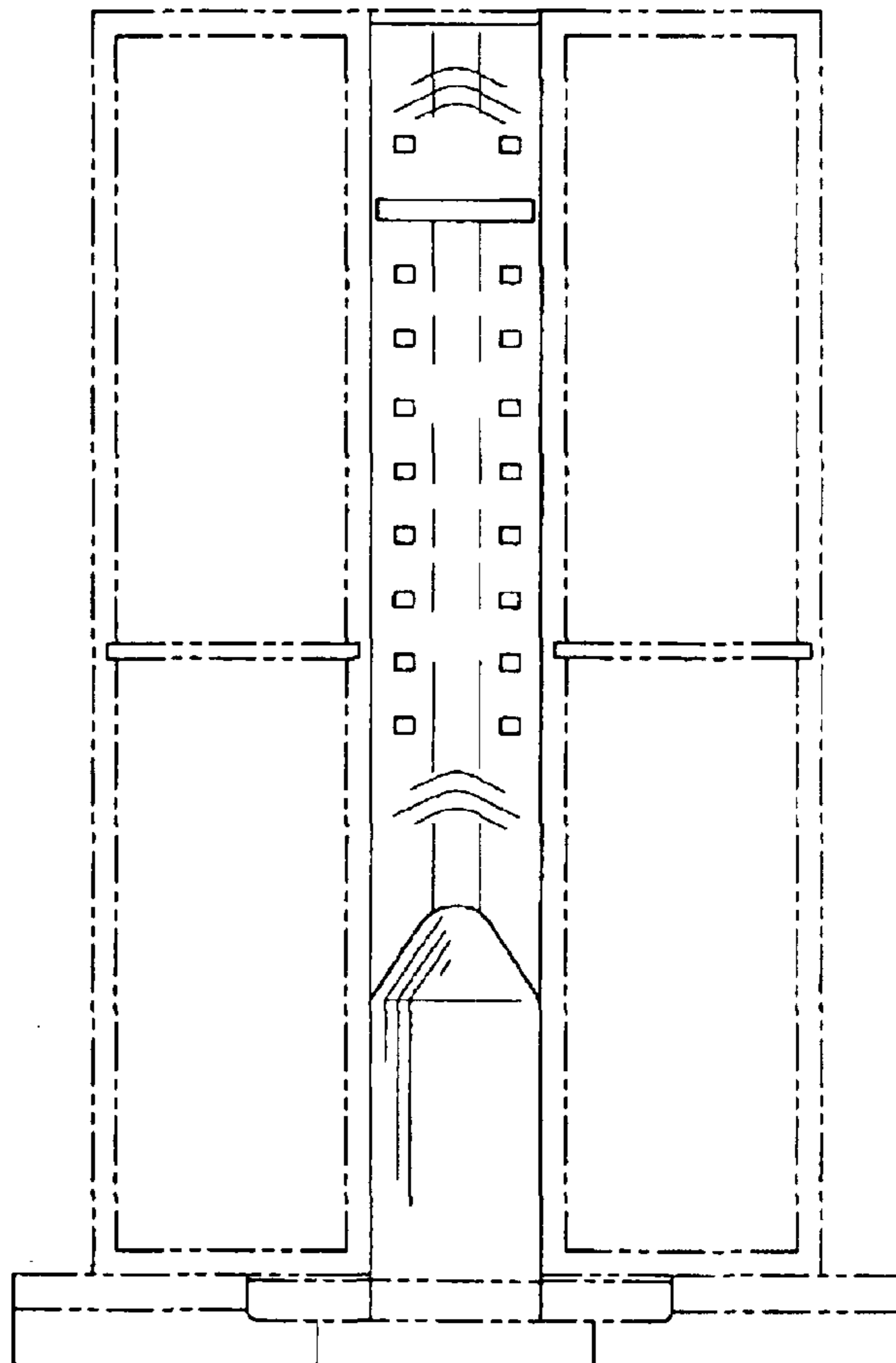


Fig-6