

US00D496437S1

(12) **United States Design Patent**  
**Haug et al.**

(10) **Patent No.:** **US D496,437 S**  
(45) **Date of Patent:** **\*\* Sep. 21, 2004**

(54) **SHOWER CABIN**

(75) Inventors: **Andreas Haug**, Stuttgart (DE); **Tom Schönherr**, Stuttgart (DE); **Peter Kolin**, Schwäbisch-Gmünd (DE)

(73) Assignee: **Hansgrohe AG**, Schiltach (DE)

(\*\*) Term: **14 Years**

(21) Appl. No.: **29/183,565**

(22) Filed: **Jun. 13, 2003**

(30) **Foreign Application Priority Data**

Dec. 13, 2002 (DE) ..... 402 10 320

(51) **LOC (7) Cl.** ..... **23-02**

(52) **U.S. Cl.** ..... **D23/283**

(58) **Field of Search** ..... D23/270, 275,  
D23/279, 283, 303, 304-307; 4/552, 596-598,  
607-615, 555-558, 601, 604-605

(56) **References Cited**

**U.S. PATENT DOCUMENTS**

- D380,528 S \* 7/1997 D'Andrea ..... D23/283
- D385,019 S \* 10/1997 Sadler ..... D23/283
- D405,517 S \* 2/1999 Eeckhoudt ..... D23/283

- 6,134,722 A \* 10/2000 Lowry et al. .... 4/601
- 2003/0188378 A1 \* 10/2003 Brunelle et al. .... 4/597

**OTHER PUBLICATIONS**

Catalog by teuco, 2 pp, 2002.  
Catalog by Blanc, 2 pp, 2002.

\* cited by examiner

*Primary Examiner*—Robert A. Delehanty

(74) *Attorney, Agent, or Firm*—Duane Morris LLP

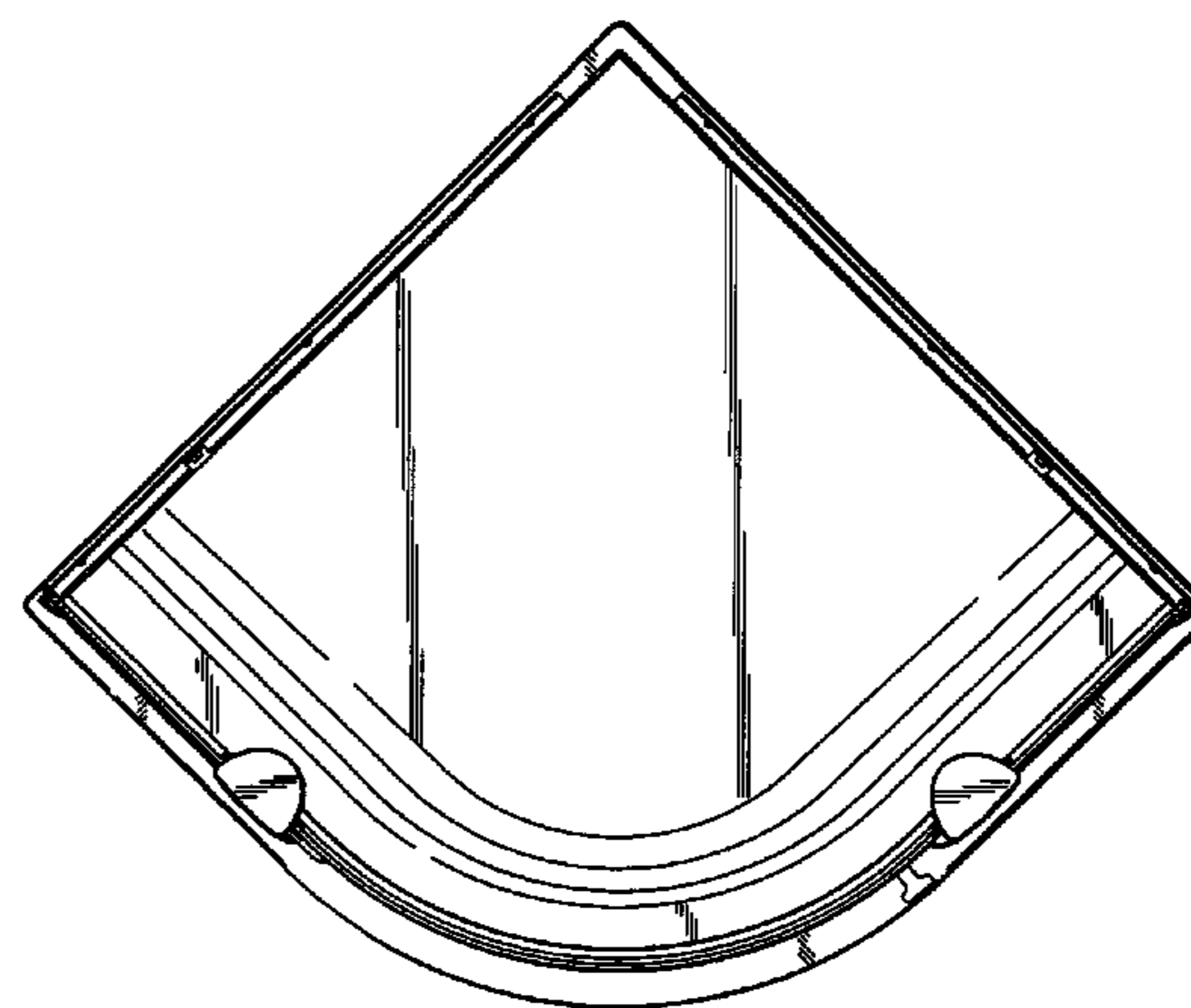
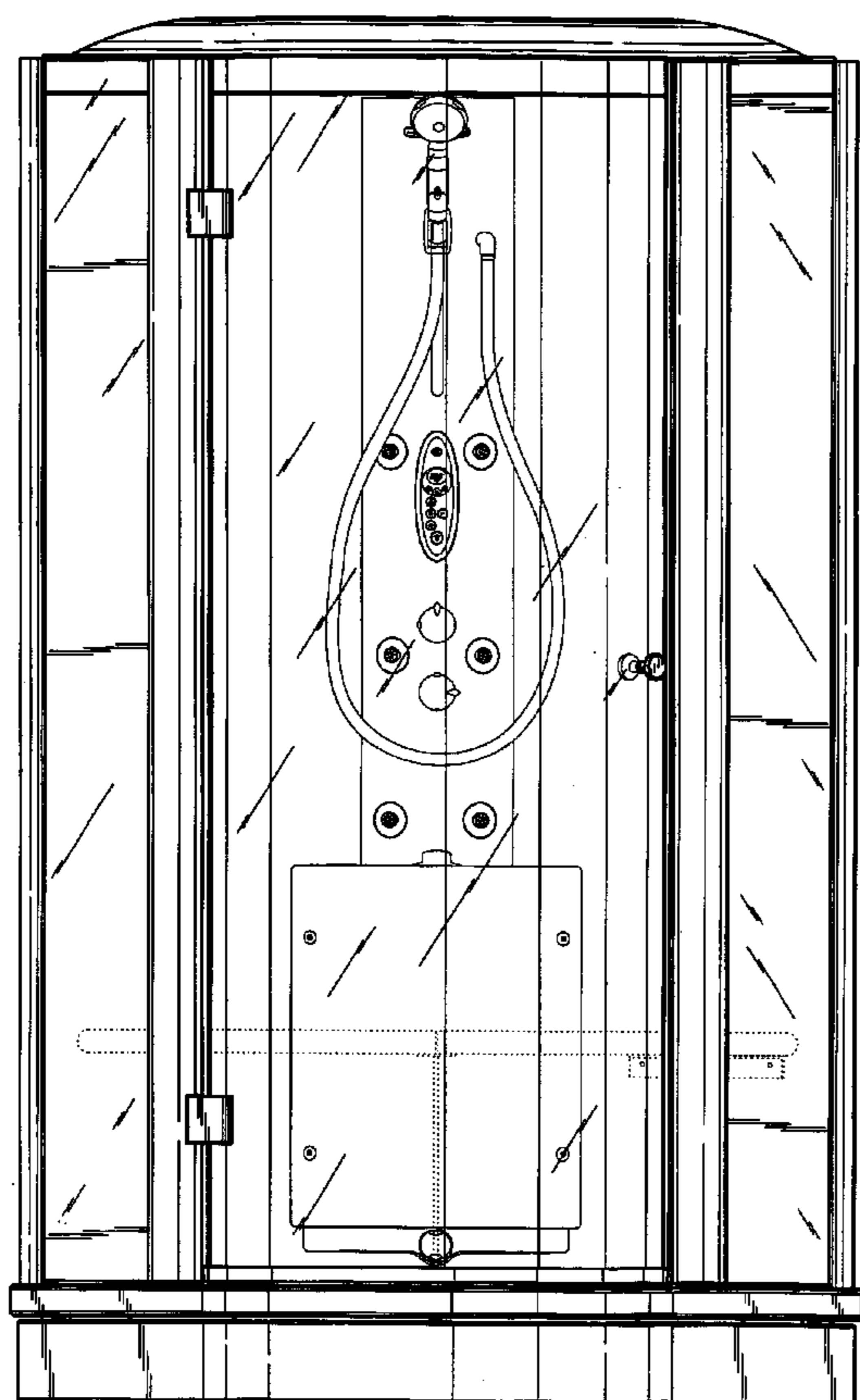
(57) **CLAIM**

The ornamental design for a shower cabin, as shown and described.

**DESCRIPTION**

FIG. 1: is a front elevation view of the shower cabin showing our new design;  
FIG. 2: is a side elevation view thereof (the opposite side being a mirror image);  
FIG. 3: is a top plan view thereof; and,  
FIG. 4: is a rear elevation view thereof.  
All portions and parts shown in broken or dotted lines are for illustrative purposes only and form no part of the claimed design.

**1 Claim, 4 Drawing Sheets**



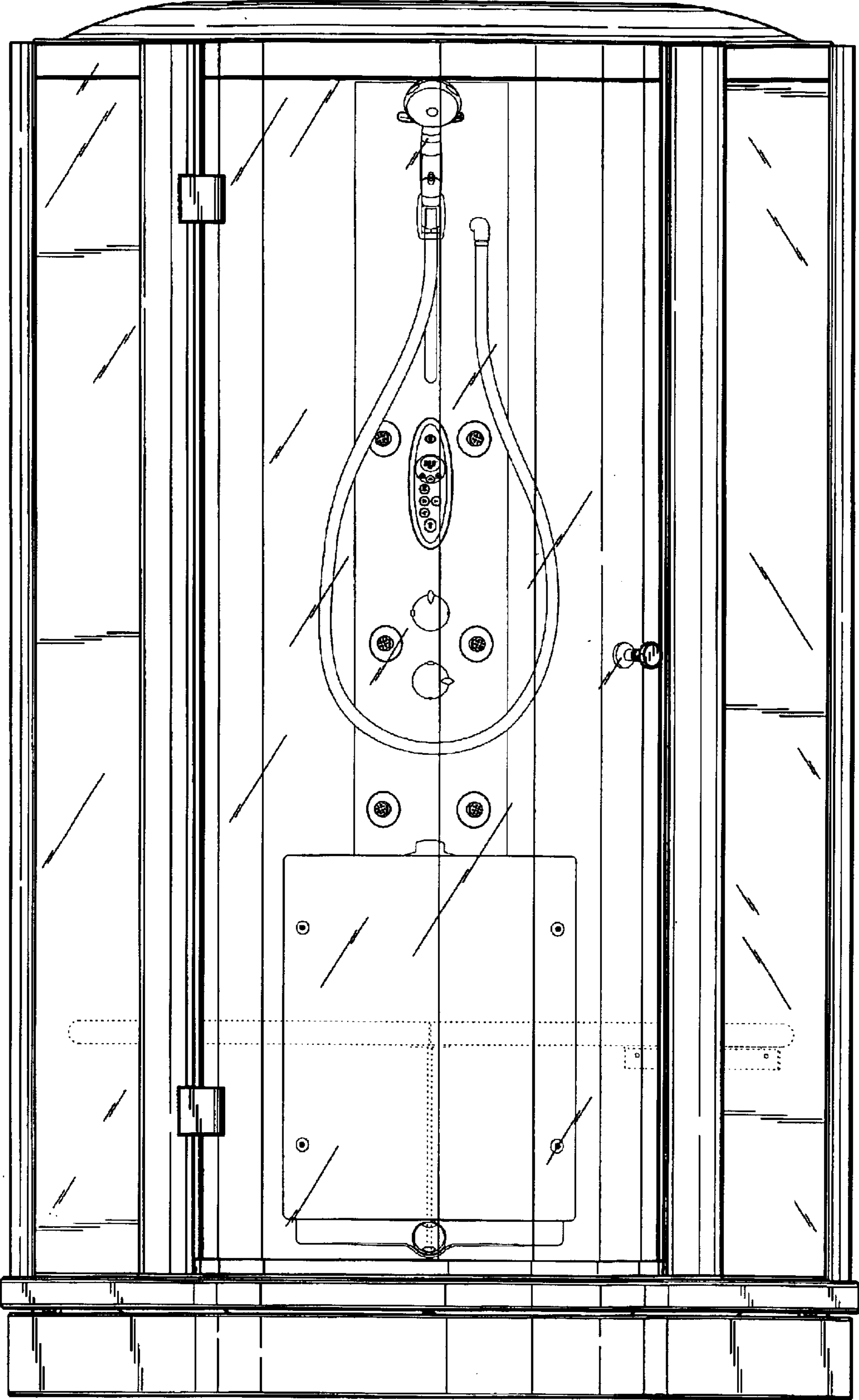


FIG. 1

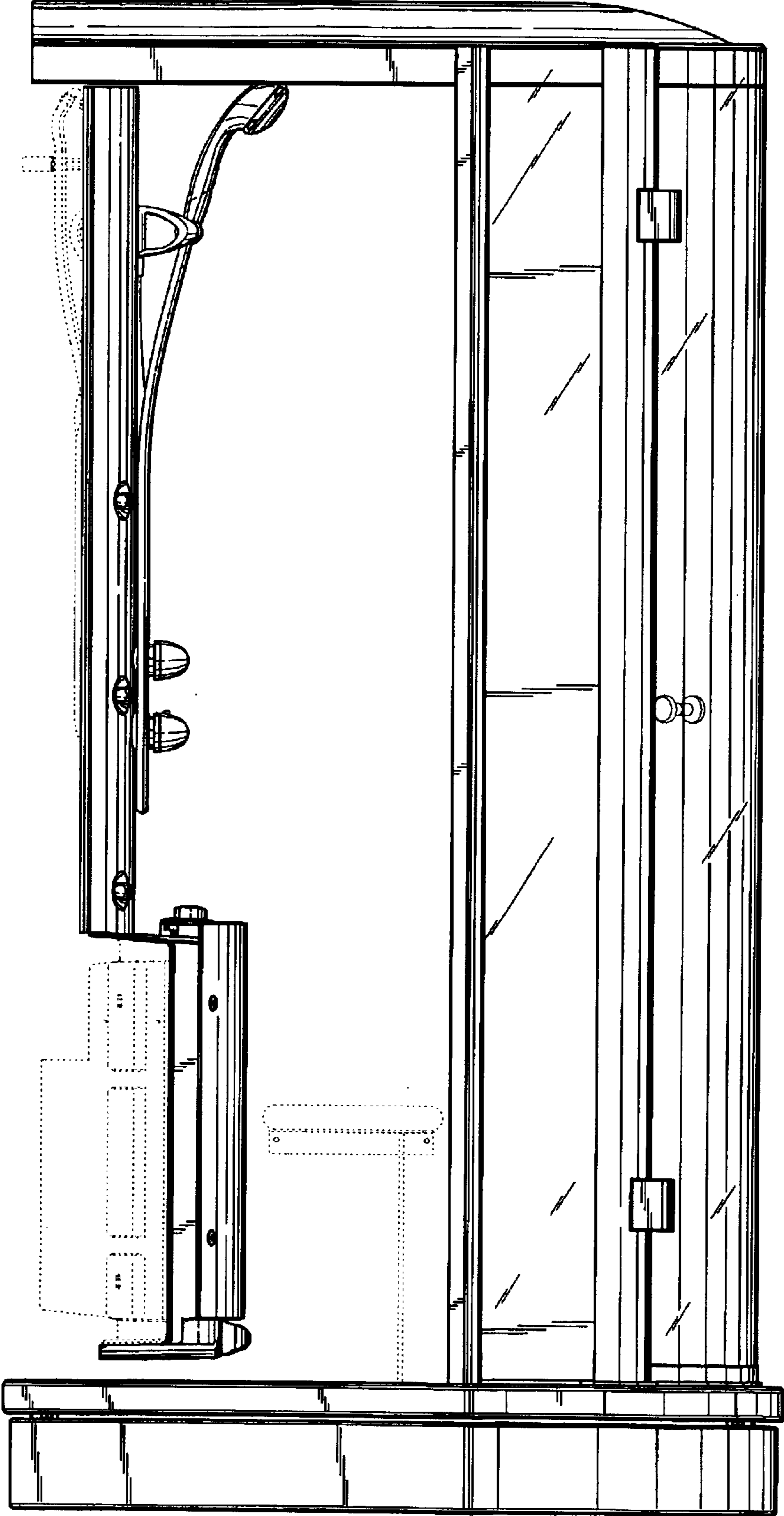
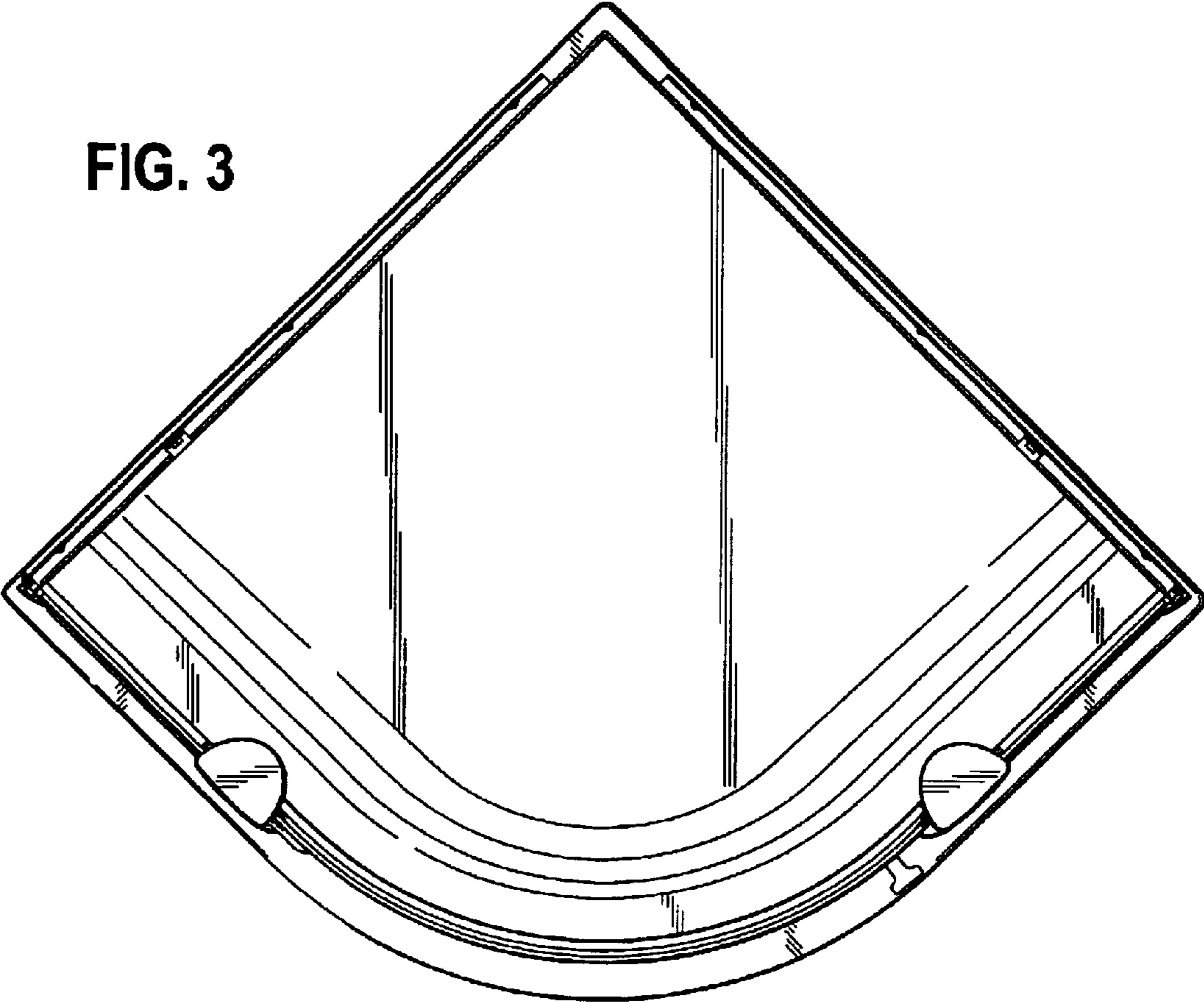


FIG. 2

FIG. 3





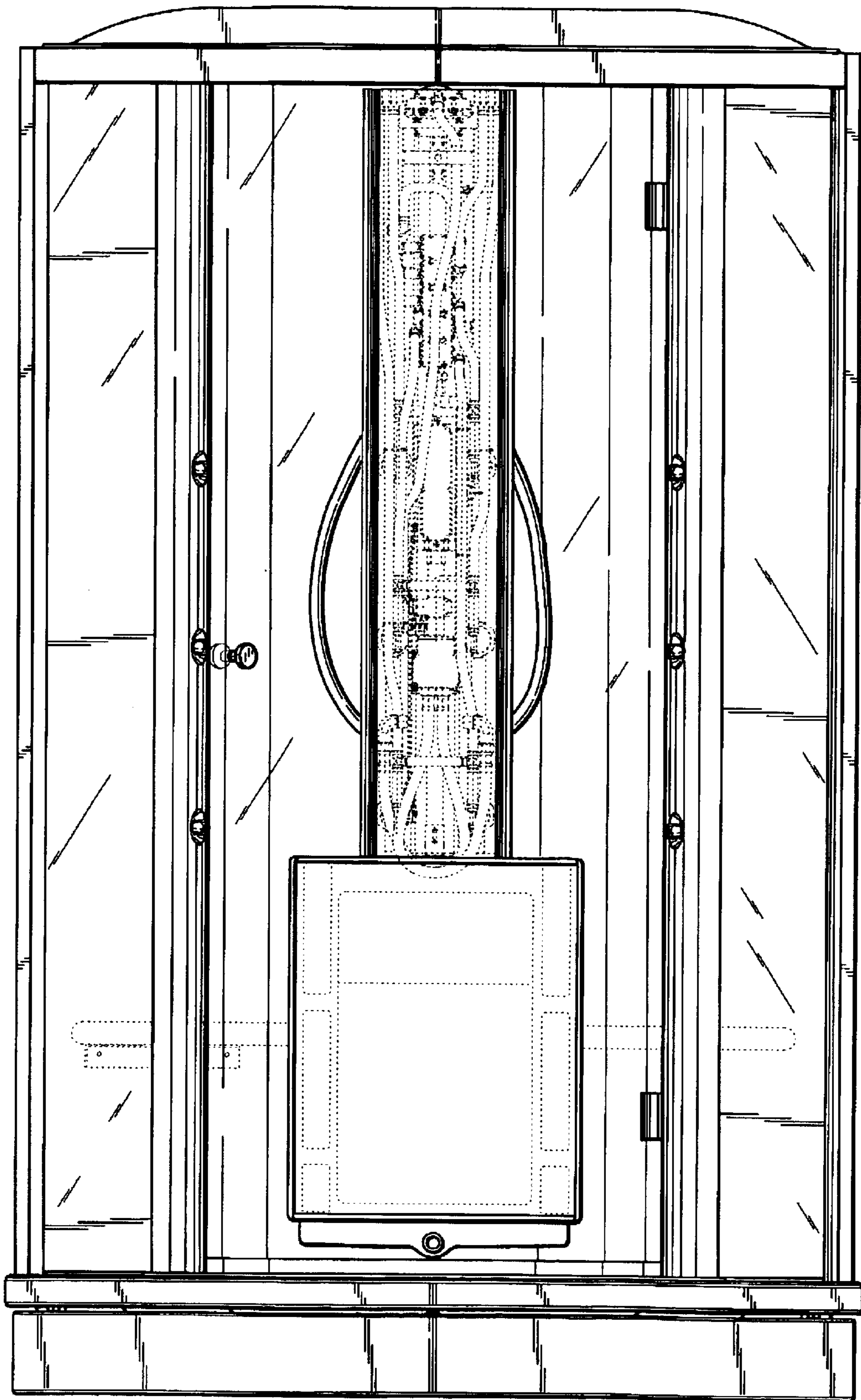


FIG. 4