

US00D496435S1

(12) **United States Design Patent**
Otero

(10) **Patent No.:** **US D496,435 S**

(45) **Date of Patent:** **** Sep. 21, 2004**

(54) **SHOWER CONTROL**

(75) **Inventor:** **Federico G. Otero, Carmel, IN (US)**

(73) **Assignee:** **Masco Corporation of Indiana, Indianapolis, IN (US)**

(**) **Term:** **14 Years**

(21) **Appl. No.:** **29/195,494**

(22) **Filed:** **Dec. 12, 2003**

(51) **LOC (7) Cl.** **23-01**

(52) **U.S. Cl.** **D23/252**

(58) **Field of Search** D23/238-243,
D23/245, 250-257; D8/300-322, 350-353,
DIG. 3; 16/110.1; 4/675-678; 137/801

(56) **References Cited**

U.S. PATENT DOCUMENTS

D175,819 S	*	10/1955	Young	D23/252
D290,496 S	*	6/1987	Ryan	D23/252
D350,184 S	*	8/1994	Kohler, Jr.	D23/250
D390,921 S	*	2/1998	Steffes et al.	D23/250

D482,760 S	*	11/2003	Fraser et al.	D23/252
D484,573 S	*	12/2003	Haug et al.	D23/252
D484,575 S	*	12/2003	Graves et al.	D23/252

* cited by examiner

Primary Examiner—Louis S. Zarfes

Assistant Examiner—Gregory Andoll

(74) *Attorney, Agent, or Firm*—Kwadjo Adusei-Poku;
Lloyd D. Doigan

(57) **CLAIM**

The ornamental design for a shower control, as shown and described.

DESCRIPTION

FIG. 1 is a front perspective view of a shower control showing my design;

FIG. 2 is a rear perspective view thereof;

FIG. 3 is a top plan view thereof;

FIG. 4 is a right side elevational view thereof;

FIG. 5 is a front elevational view thereof;

FIG. 6 is a rear elevational view thereof; and,

FIG. 7 is a left side view thereof.

1 Claim, 4 Drawing Sheets

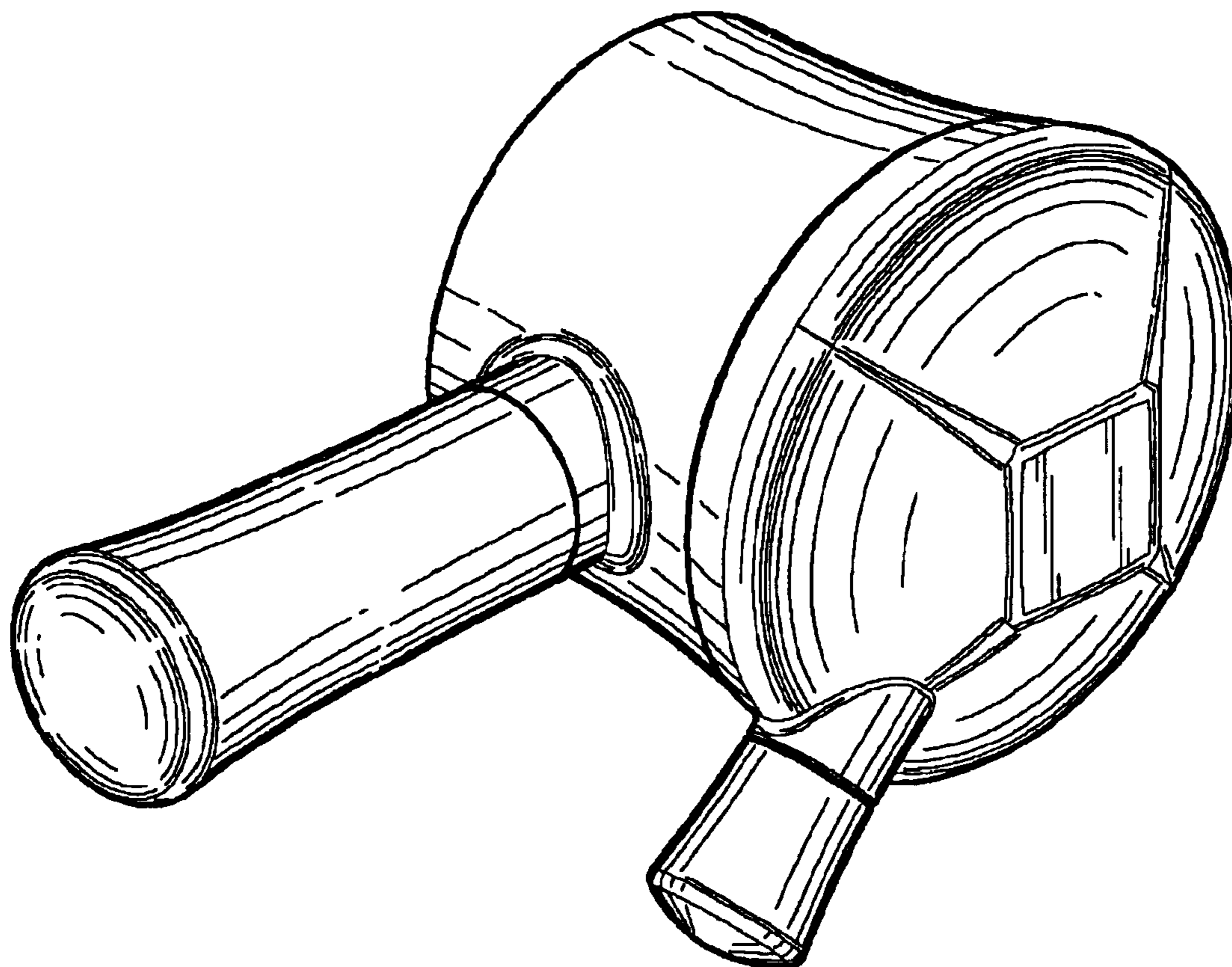


FIG - 1

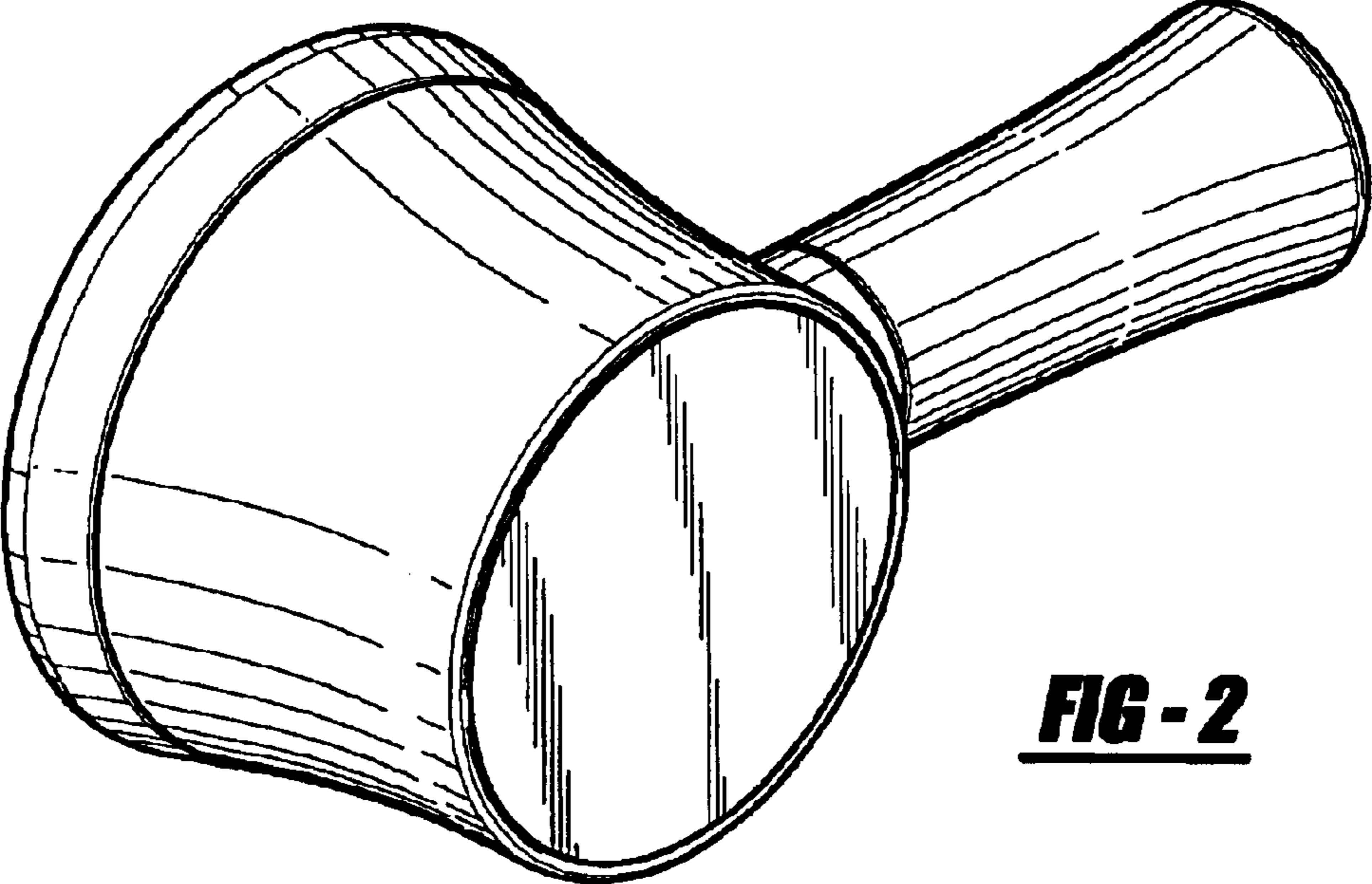
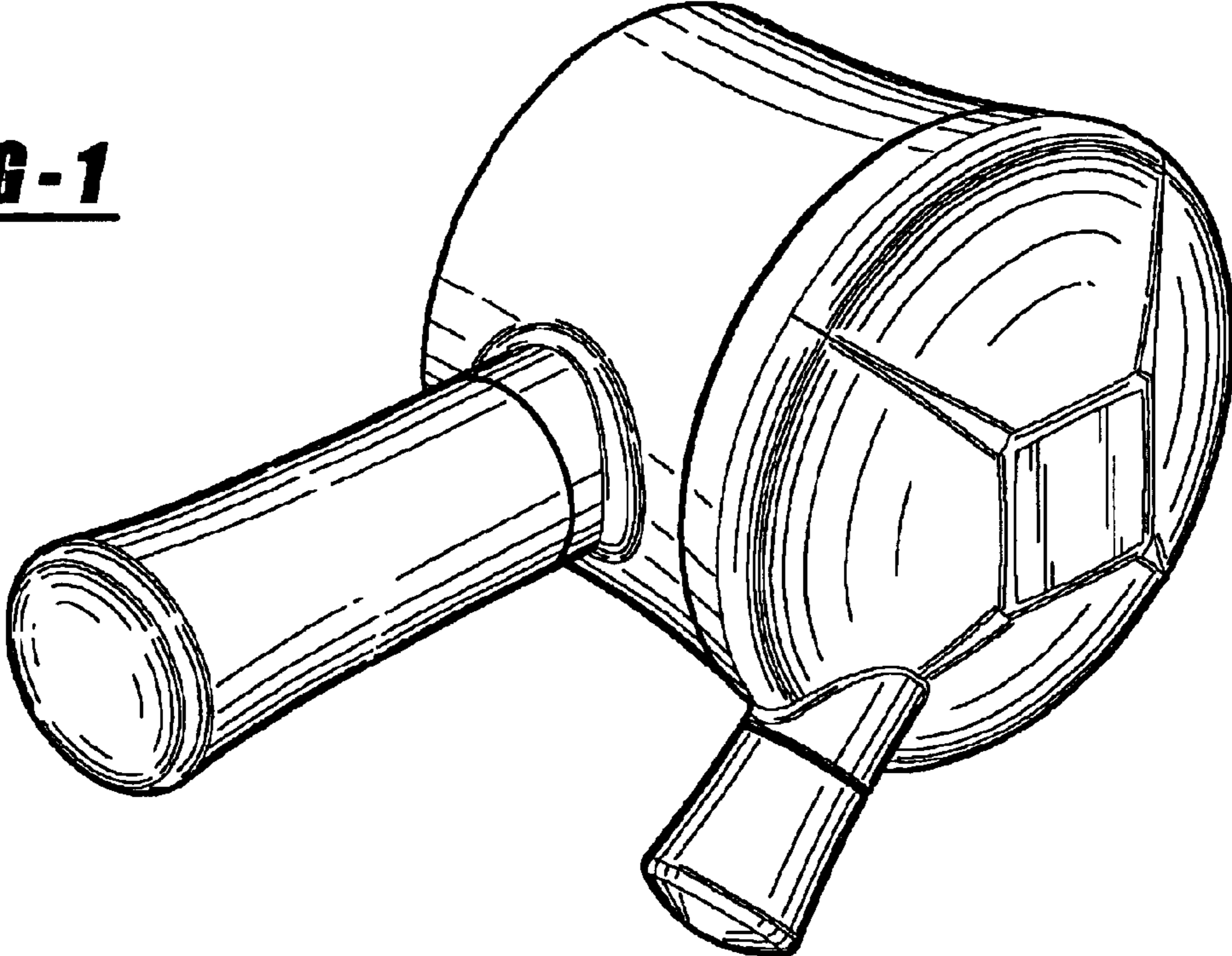


FIG - 2

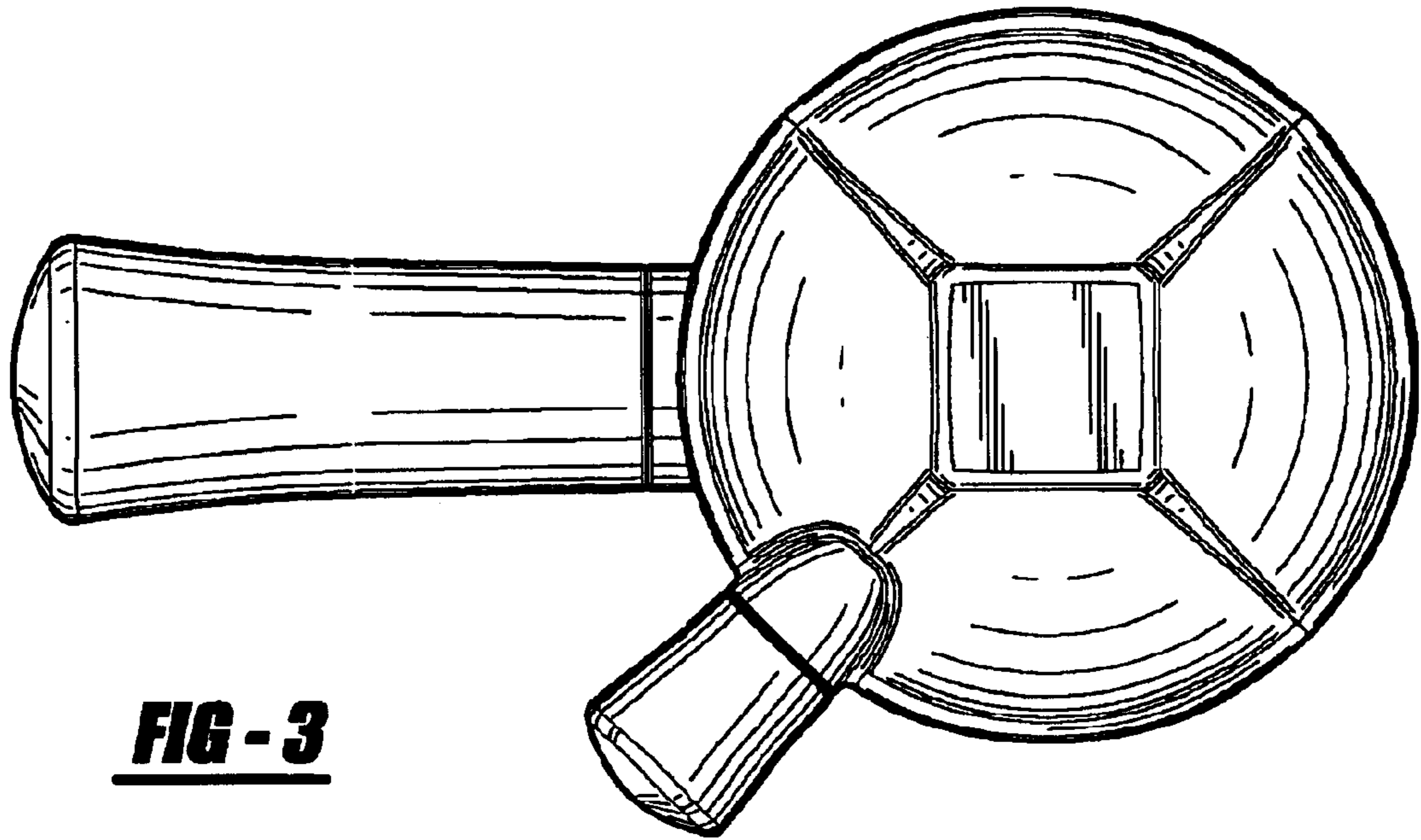


FIG - 3

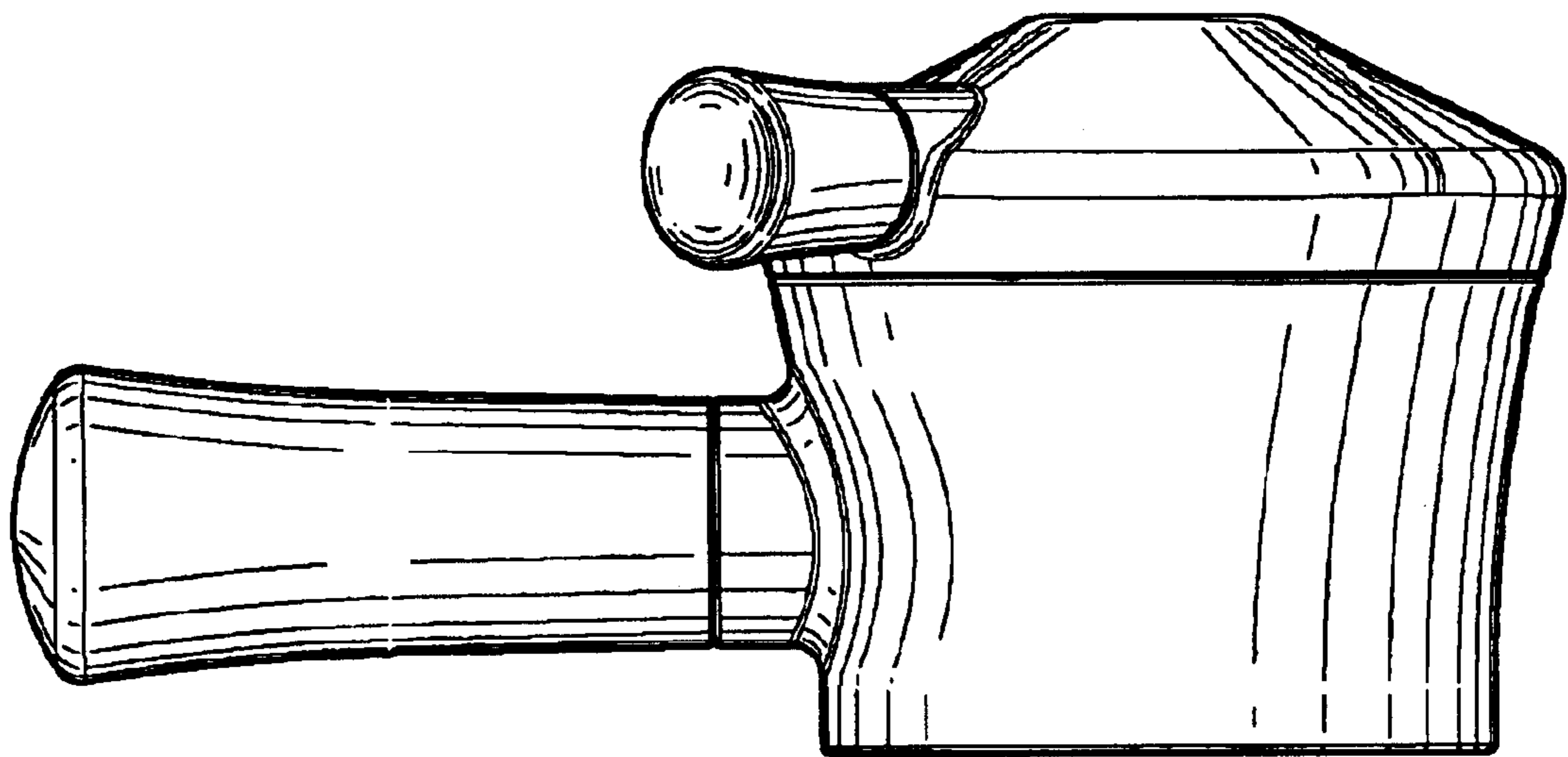


FIG - 4

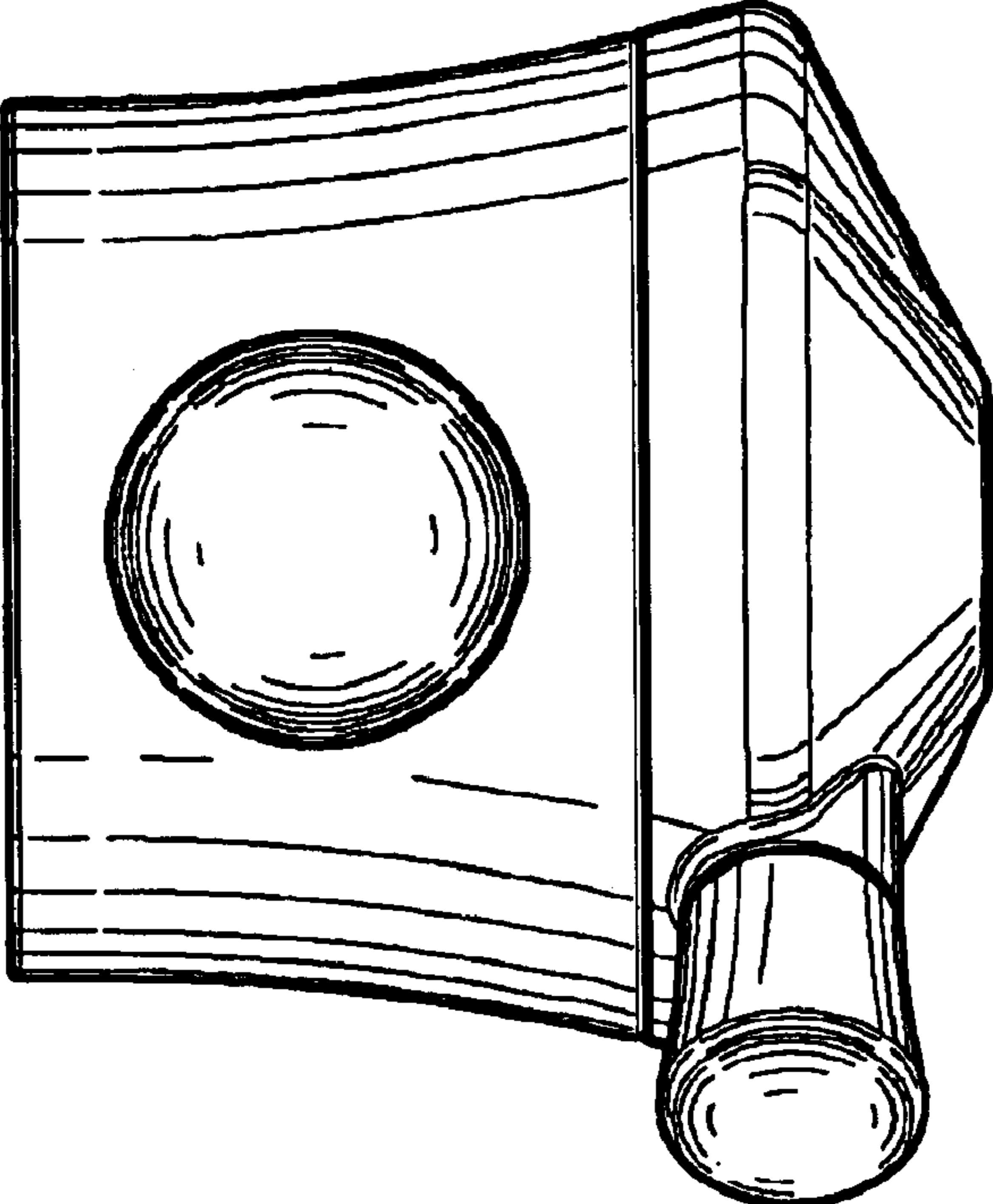


FIG - 5

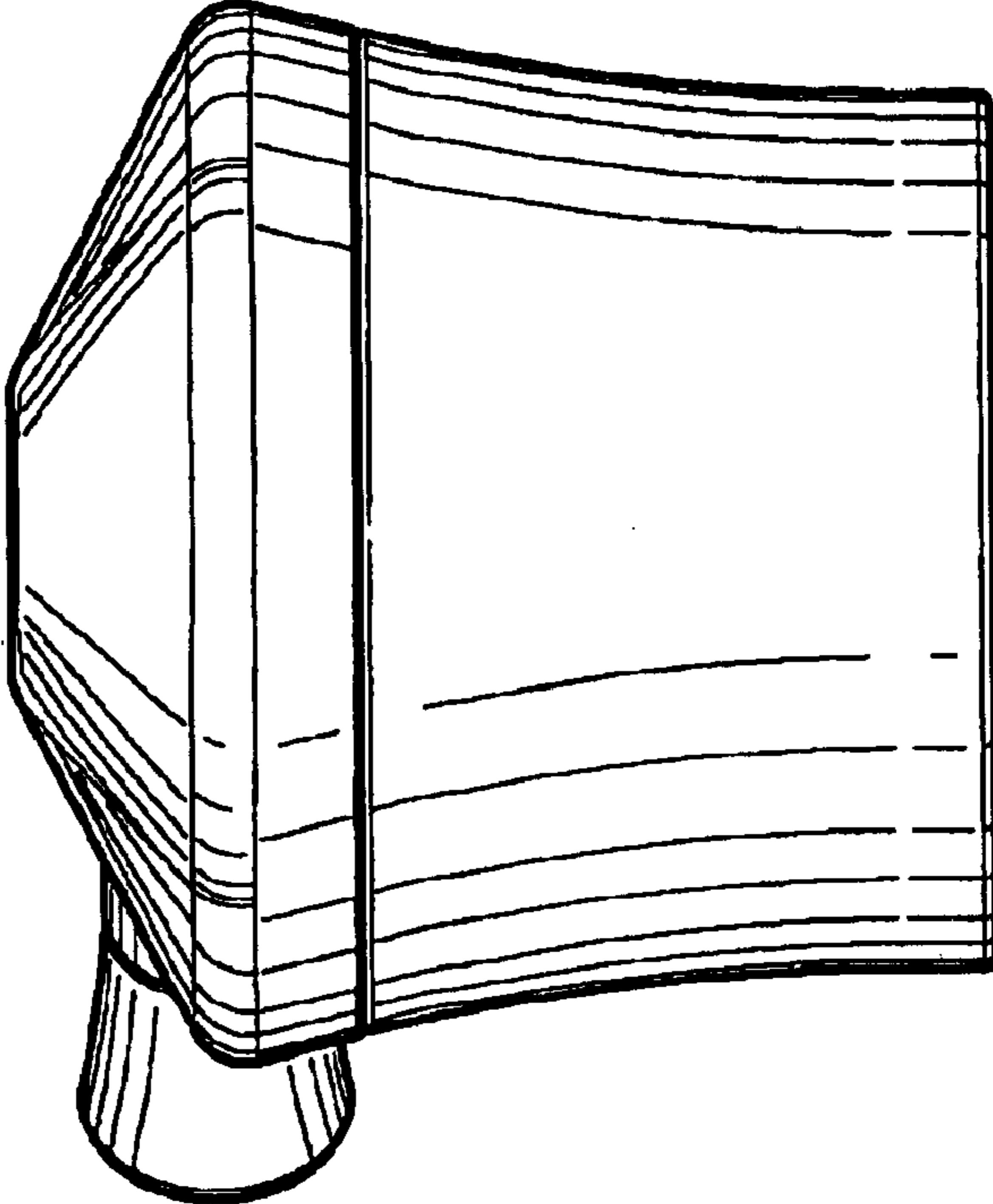


FIG - 6

FIG - 7

