

US00D496432S1

(12) **United States Design Patent**
Ouyoung

(10) **Patent No.:** **US D496,432 S**

(45) **Date of Patent:** **** Sep. 21, 2004**

(54) **FAUCET BODY**

D460,154 S * 7/2002 Kemp D23/241
D465,267 S * 11/2002 Wurth D23/241

(75) **Inventor:** **Scott Ouyoung**, Taichung (TW)

* cited by examiner

(73) **Assignee:** **Globe Union Industrial Corp.**,
Taichung (TW)

Primary Examiner—Louis S. Zarfes

Assistant Examiner—Gregory Andoll

(**) **Term:** **14 Years**

(74) *Attorney, Agent, or Firm*—Leong C. Lei

(21) **Appl. No.:** **29/170,485**

(57) **CLAIM**

(22) **Filed:** **Nov. 7, 2002**

The ornamental design for a faucet body, as shown and described.

(51) **LOC (7) Cl.** **23-01**

DESCRIPTION

(52) **U.S. Cl.** **D23/238**

(58) **Field of Search** D23/238–243,
D23/250–257; 4/675–678; 137/801

FIG. 1 is perspective view of a faucet body showing my new design;

FIG. 2 is a front side elevation view thereof;

FIG. 3 is a left side elevation view thereof;

FIG. 4 is a right side elevation view thereof;

FIG. 5 is a rear side elevation view thereof; and,

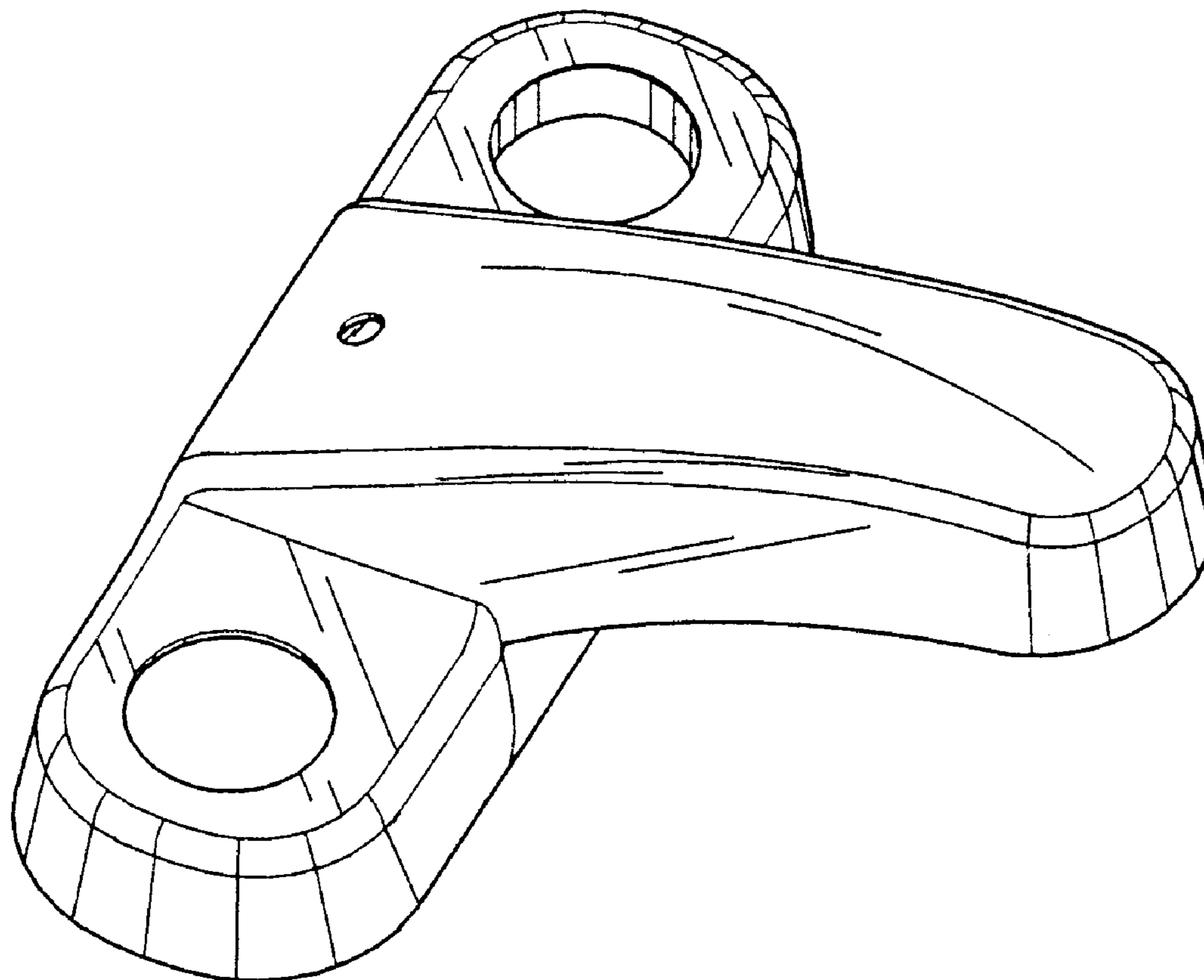
FIG. 6 is a top plan view thereof.

(56) **References Cited**

U.S. PATENT DOCUMENTS

D381,398 S * 7/1997 Doughty et al. D23/241
D407,141 S * 3/1999 Ko D23/283
D435,636 S * 12/2000 Kolada D23/241

1 Claim, 4 Drawing Sheets



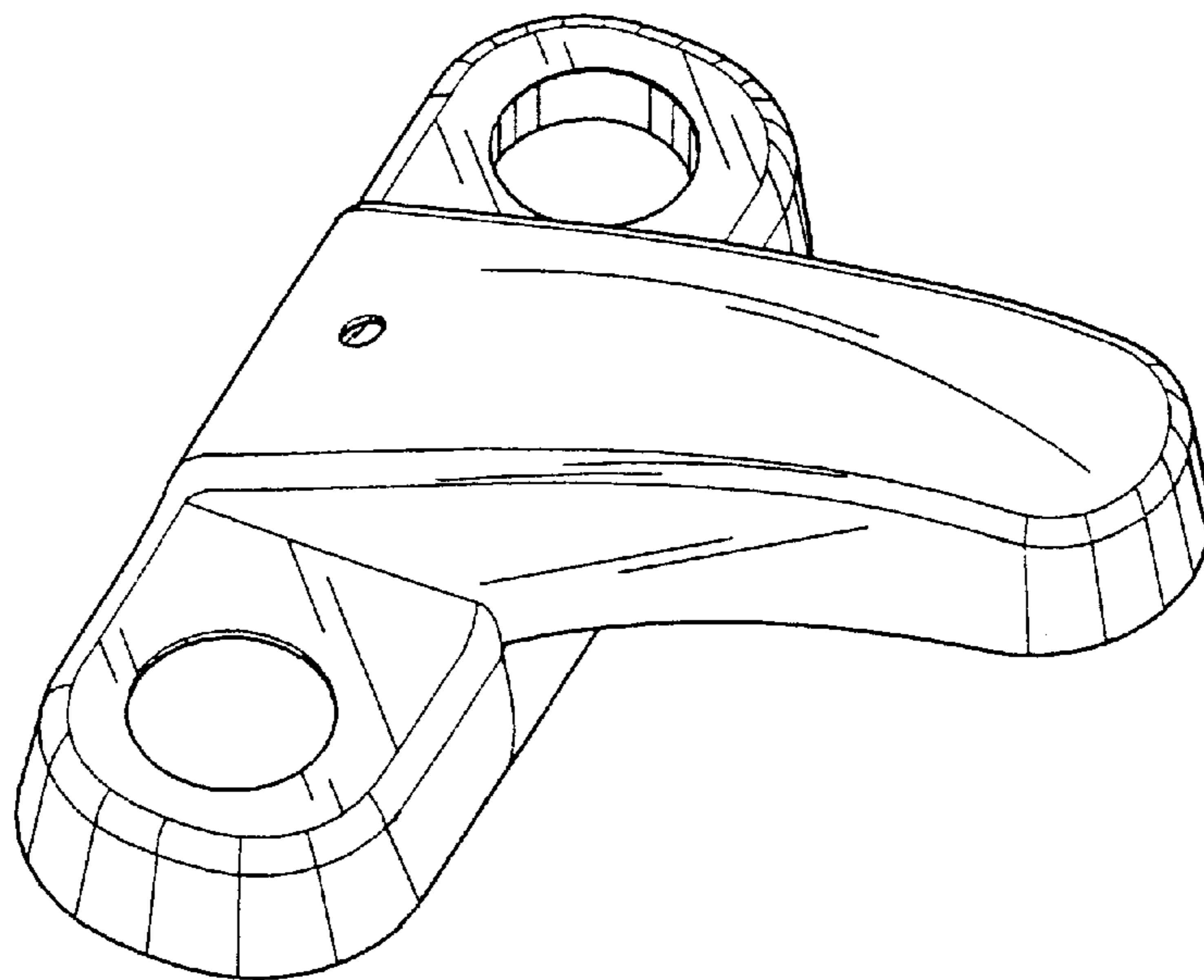


FIG. 1

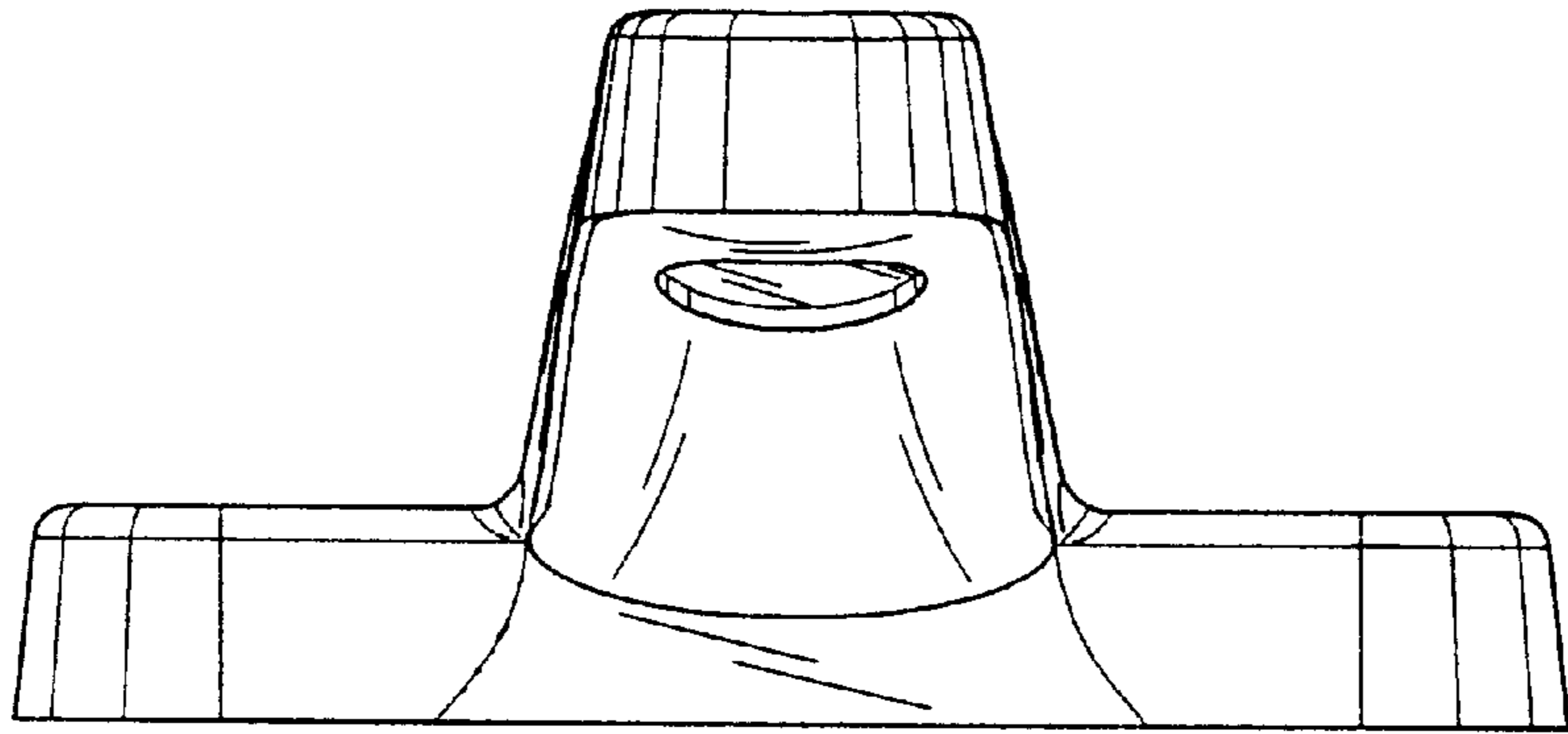


FIG. 2

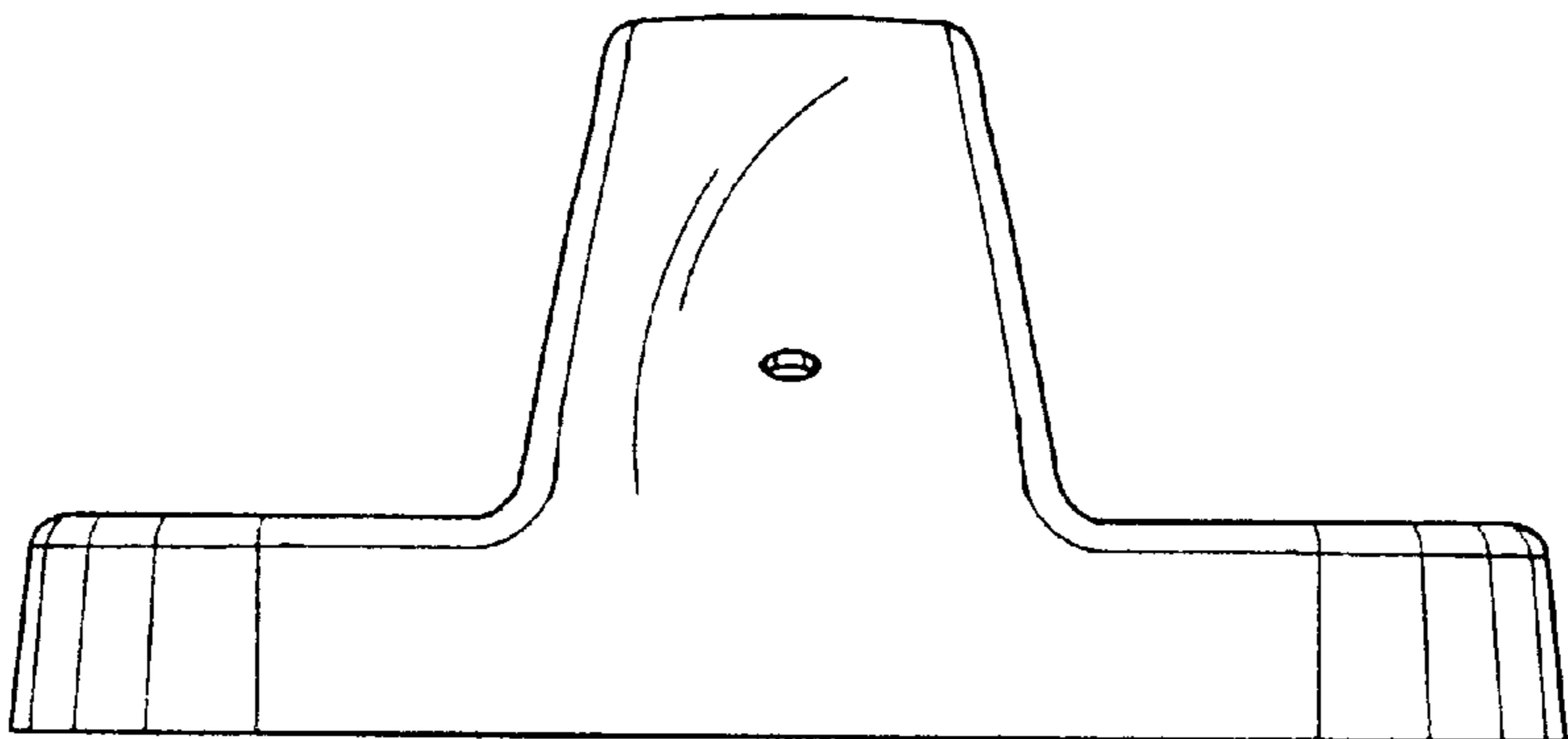


FIG. 5

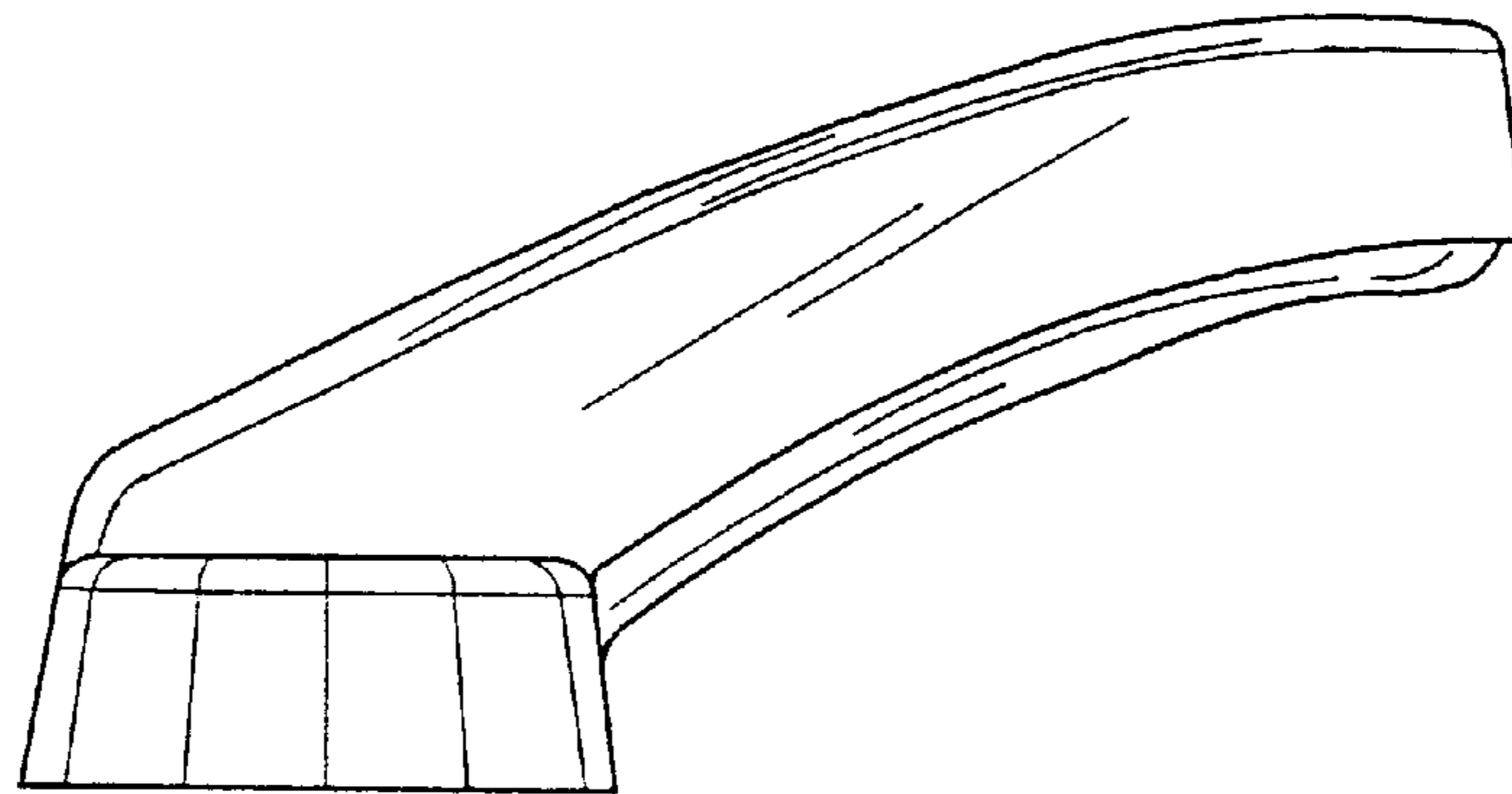


FIG. 3

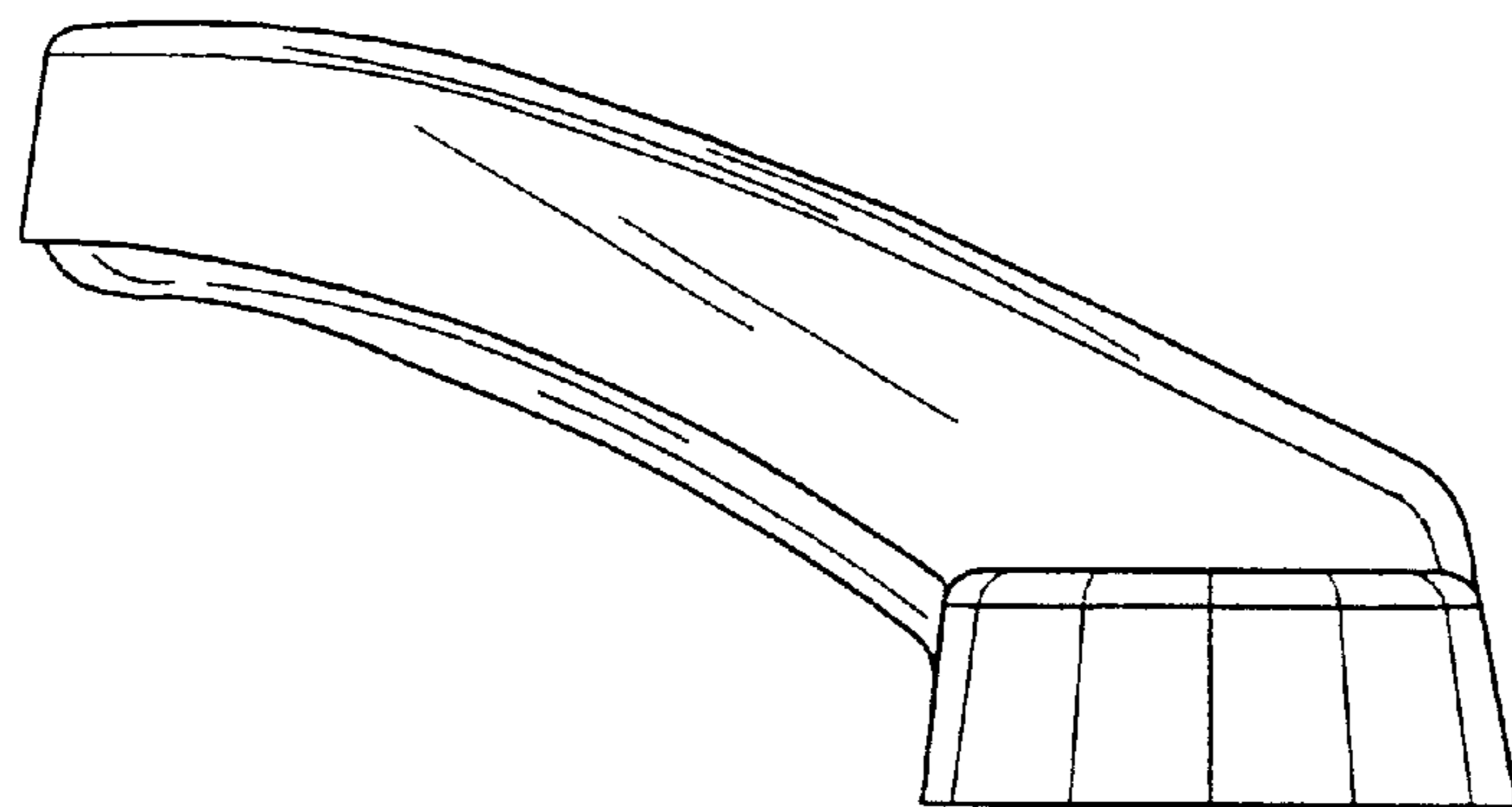


FIG. 4

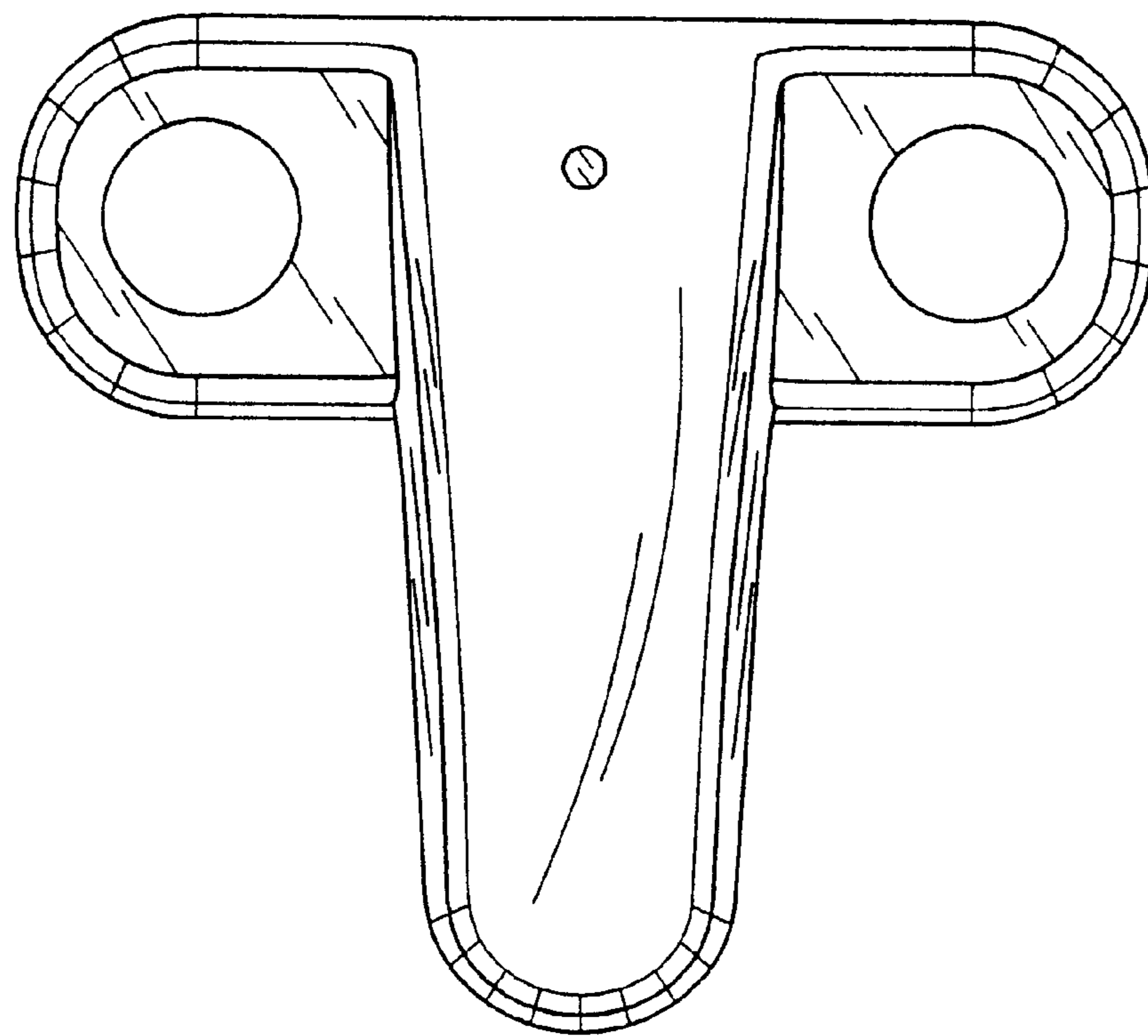


FIG. 6