

US00D496431S1

(12) **United States Design Patent**
Kollmann et al.

(10) **Patent No.: US D496,431 S**
(45) **Date of Patent: ** Sep. 21, 2004**

(54) **SANITARY SHOWER**

(75) Inventors: **Fabian Kollmann**, Stuttgart (DE);
Andreas Haug, Stuttgart (DE); **Tom
Schönherr**, Stuttgart (DE)

(73) Assignee: **Hansgrohe AG**, Schiltach (DE)

(**) Term: **14 Years**

(21) Appl. No.: **29/183,505**

(22) Filed: **Jun. 11, 2003**

(30) **Foreign Application Priority Data**

Dec. 12, 2002 (DE) 402 10 282

(51) **LOC (7) Cl.** **23-01**

(52) **U.S. Cl.** **D23/229**

(58) **Field of Search** D23/213, 229,
D23/230; 239/548, 550, 282, 283

(56) **References Cited**

U.S. PATENT DOCUMENTS

D442,258 S	*	5/2001	Wu et al.	D23/229
D443,024 S	*	5/2001	Wu	D23/229
D444,208 S	*	6/2001	Ouano et al.	D23/229
D472,301 S	*	3/2003	Mueller et al.	D23/213

OTHER PUBLICATIONS

Kohler catalog "in demand, by design", 2 pages, 1998.
Duscholux Nederland B.V. catalog "Productoverzicht", 2
pages, 2002.
Grandform catalog "systemes et cabines multifunctions", 4
pages, 2002.

* cited by examiner

Primary Examiner—Robin V. Taylor

(74) *Attorney, Agent, or Firm*—Duane Morris LLP

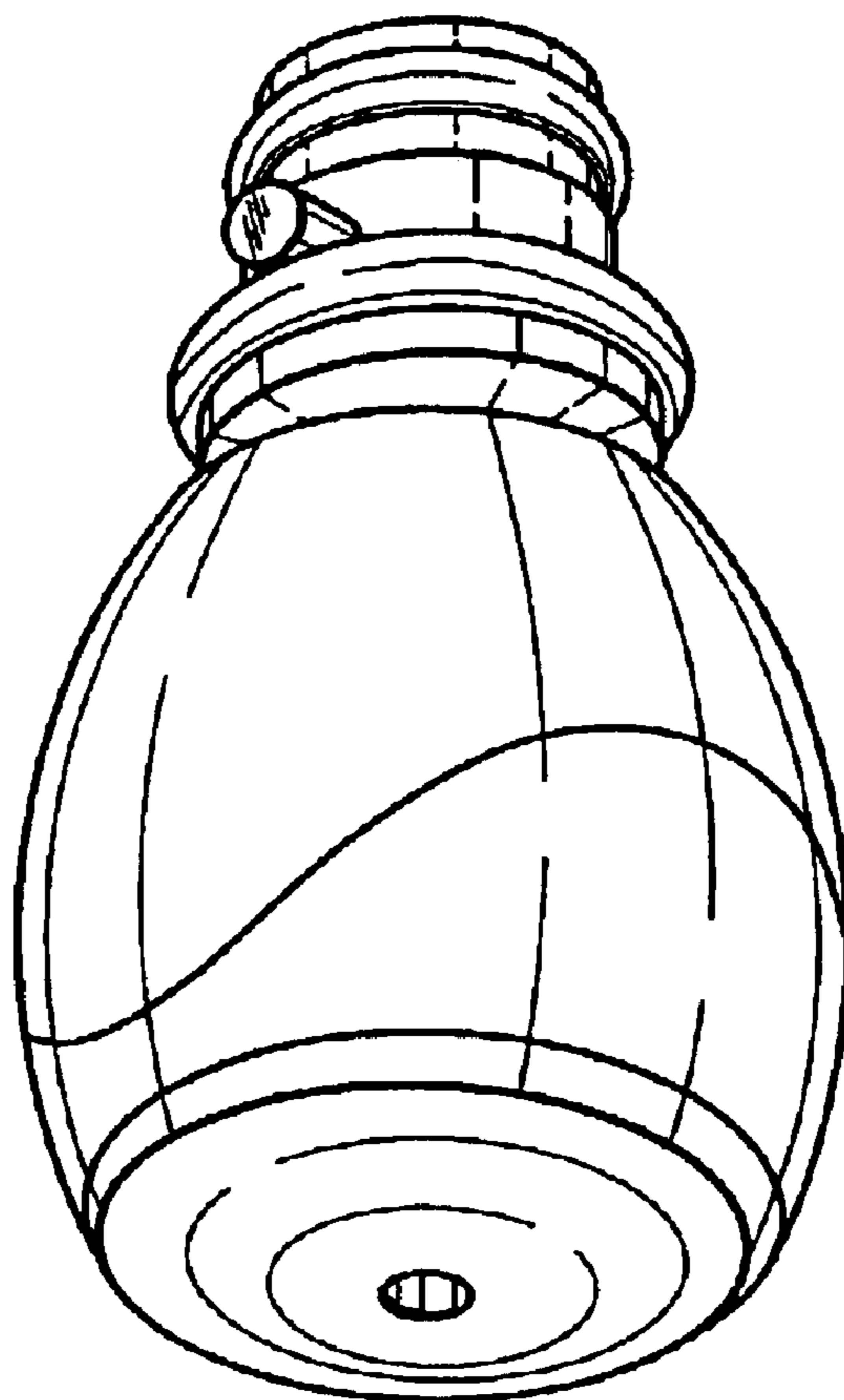
(57) **CLAIM**

The ornamental design for a sanitary shower, as shown and
described.

DESCRIPTION

FIG. 1: is a side perspective view of a sanitary shower,
showing our new design;
FIG. 2: is a top plan view thereof;
FIG. 3: is a front elevation view thereof, the opposite side
being a mirror image;
FIG. 4: is side elevation view thereof, the opposite side
being a mirror image; and,
FIG. 5: is a bottom plan view thereof.

1 Claim, 1 Drawing Sheet



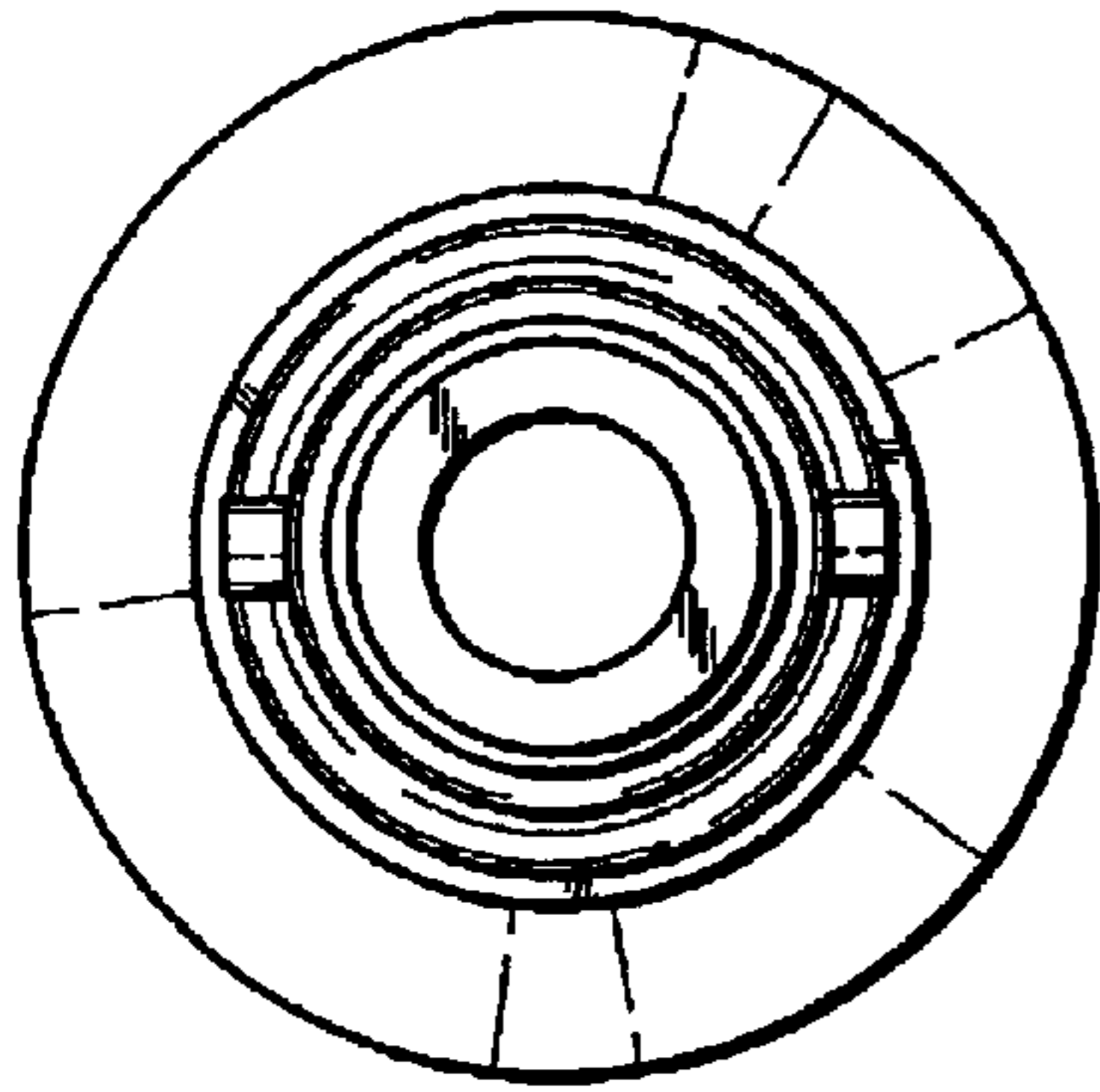


Fig. 2

Fig. 1

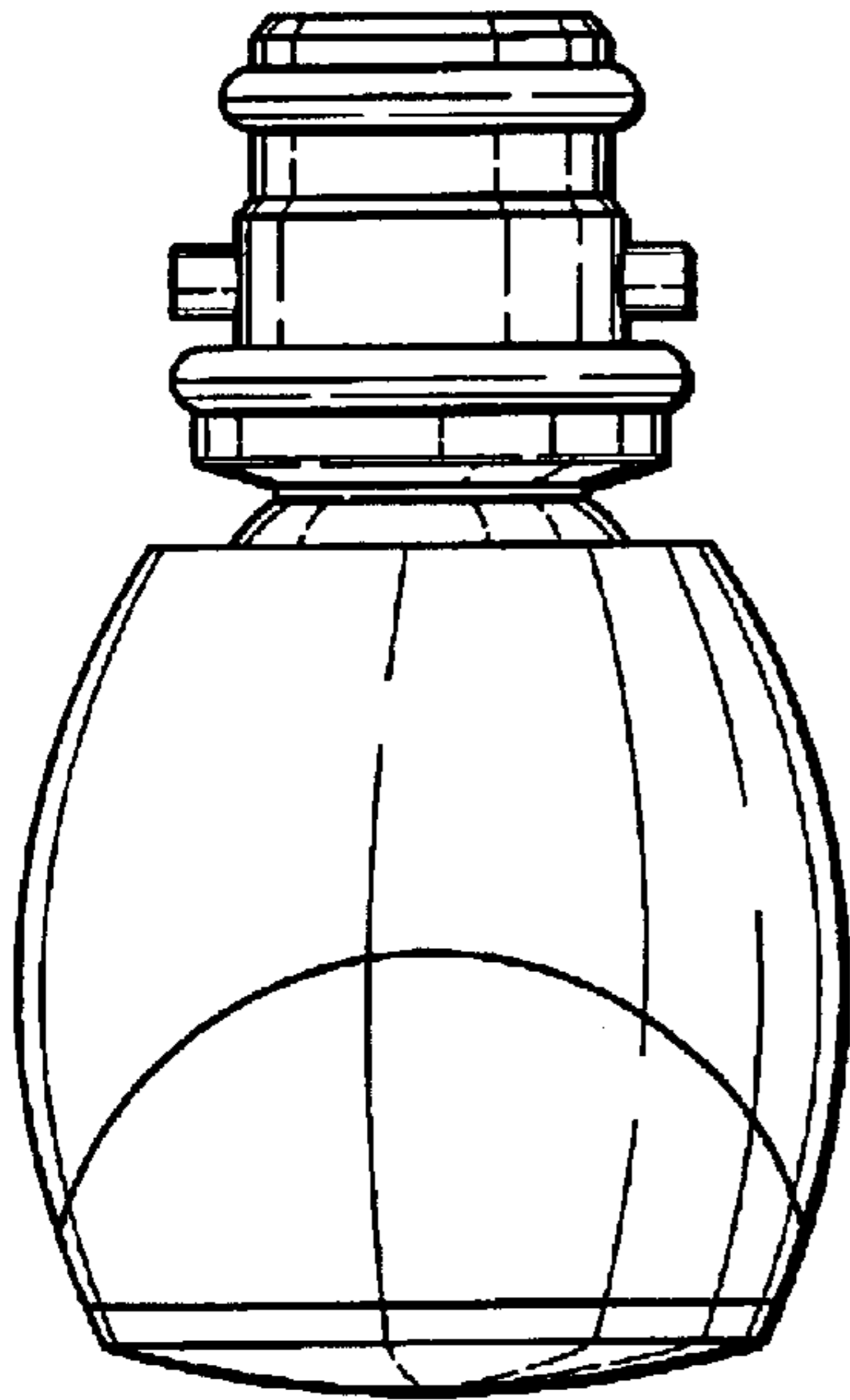
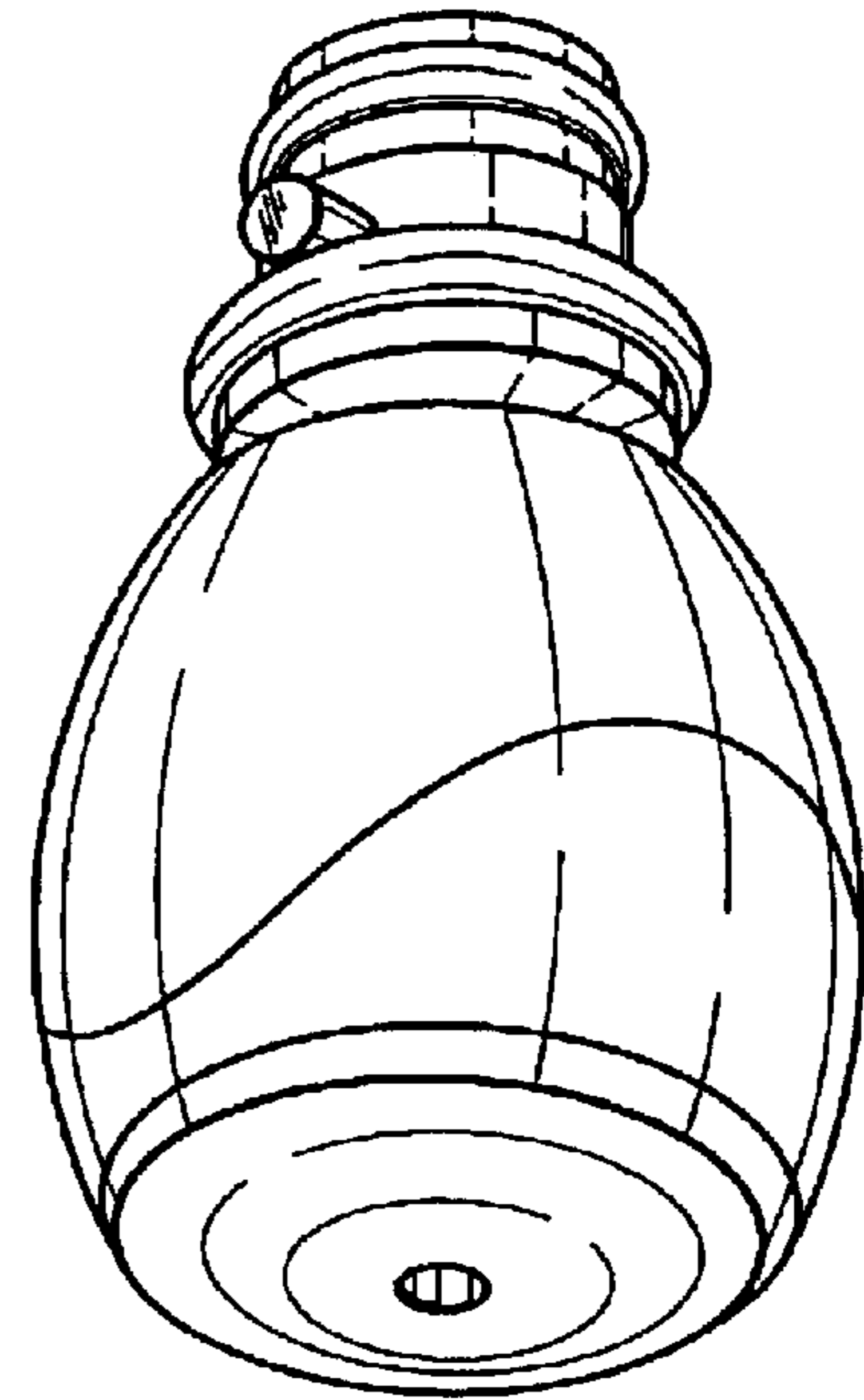


Fig. 3

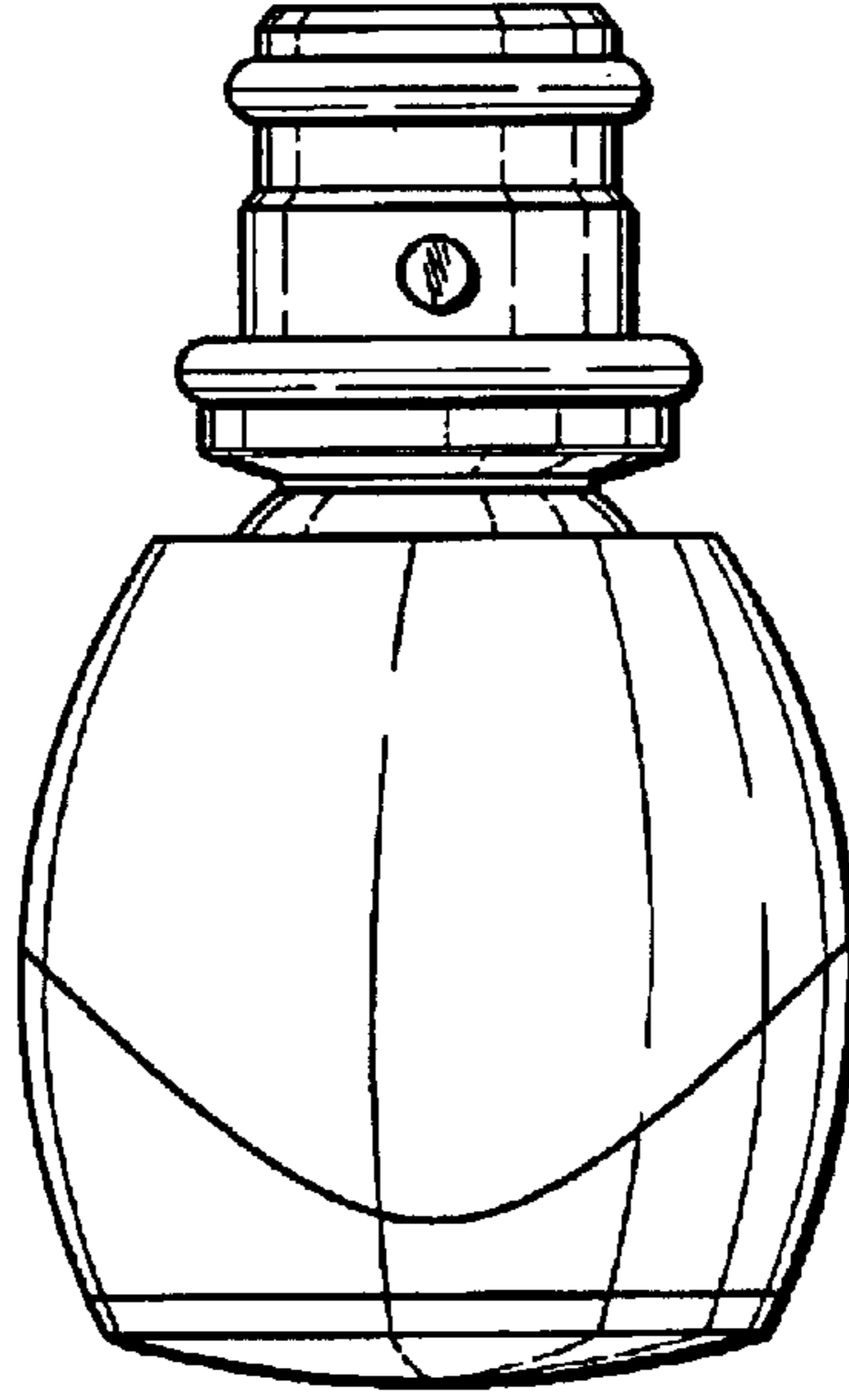


Fig. 4

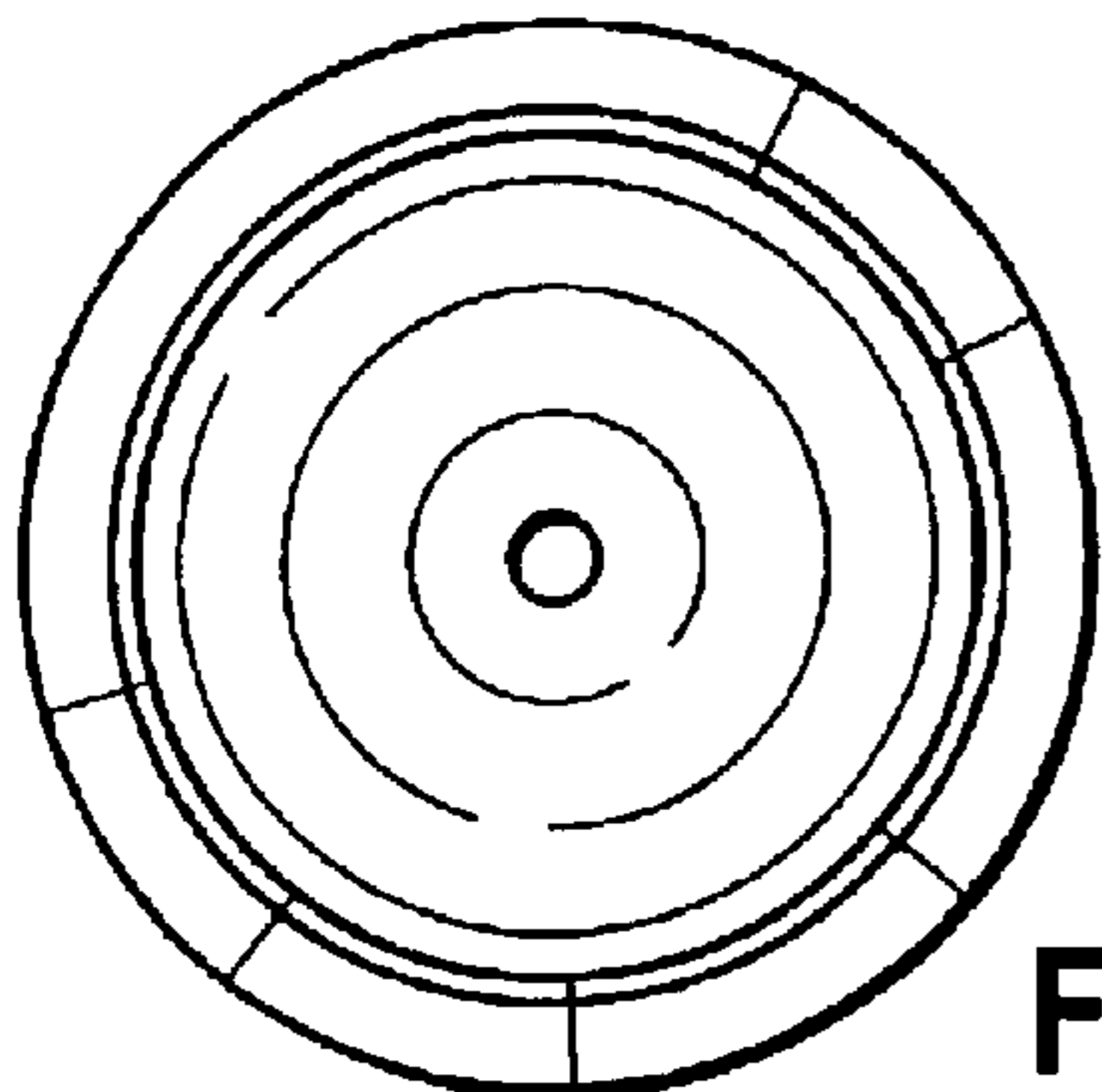


Fig. 5