

US00D496430S1

(12) **United States Design Patent**
Kuo

(10) **Patent No.: US D496,430 S**

(45) **Date of Patent: ** Sep. 21, 2004**

(54) **AGRICULTURAL SPRAYING GUN**

(76) **Inventor: Wen-Jen Kuo, 235 Chung-Ho Box 8-24, Taipei (TW)**

(**) **Term: 14 Years**

(21) **Appl. No.: 29/187,673**

(22) **Filed: Aug. 6, 2003**

(30) **Foreign Application Priority Data**

May 9, 2003 (TW) 92302922

(51) **LOC (7) Cl. 23-01**

(52) **U.S. Cl. D23/223**

(58) **Field of Search D23/213, 223, D23/226; 239/525, 526**

(56) **References Cited**

U.S. PATENT DOCUMENTS

2,523,084 A * 9/1950 Adragna 239/459

4,470,549 A * 9/1984 McMillan et al. 239/583

5,395,046 A * 3/1995 Knobbe et al. 239/3
D442,671 S * 5/2001 Chih D23/223

* cited by examiner

Primary Examiner—Robin V. Taylor

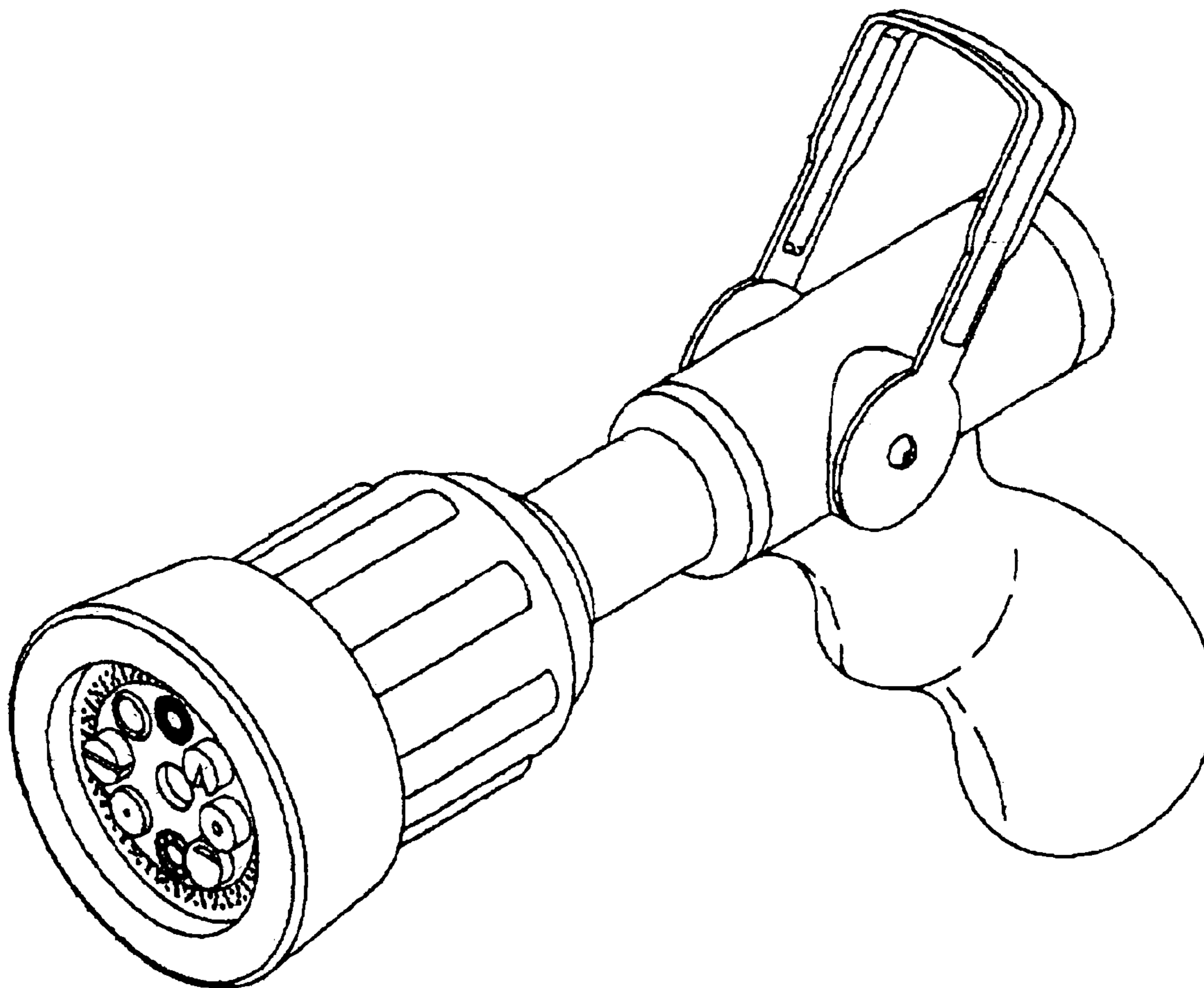
(57) **CLAIM**

The ornamental design for a agricultural spraying gun, as shown and described.

DESCRIPTION

FIG. 1 is a front elevational view thereof.
FIG. 2 is a rear elevational view thereof.
FIG. 3 is a left side view thereof.
FIG. 4 is a right side view thereof.
FIG. 5 is a top plan view thereof.
FIG. 6 is a bottom plan view thereof.
FIG. 7 is a perspective view of a agricultural spraying gun showing my new design; and,
FIG. 8 shows one state of the present invention ,where the handle of the gun is pulled out.

1 Claim, 8 Drawing Sheets



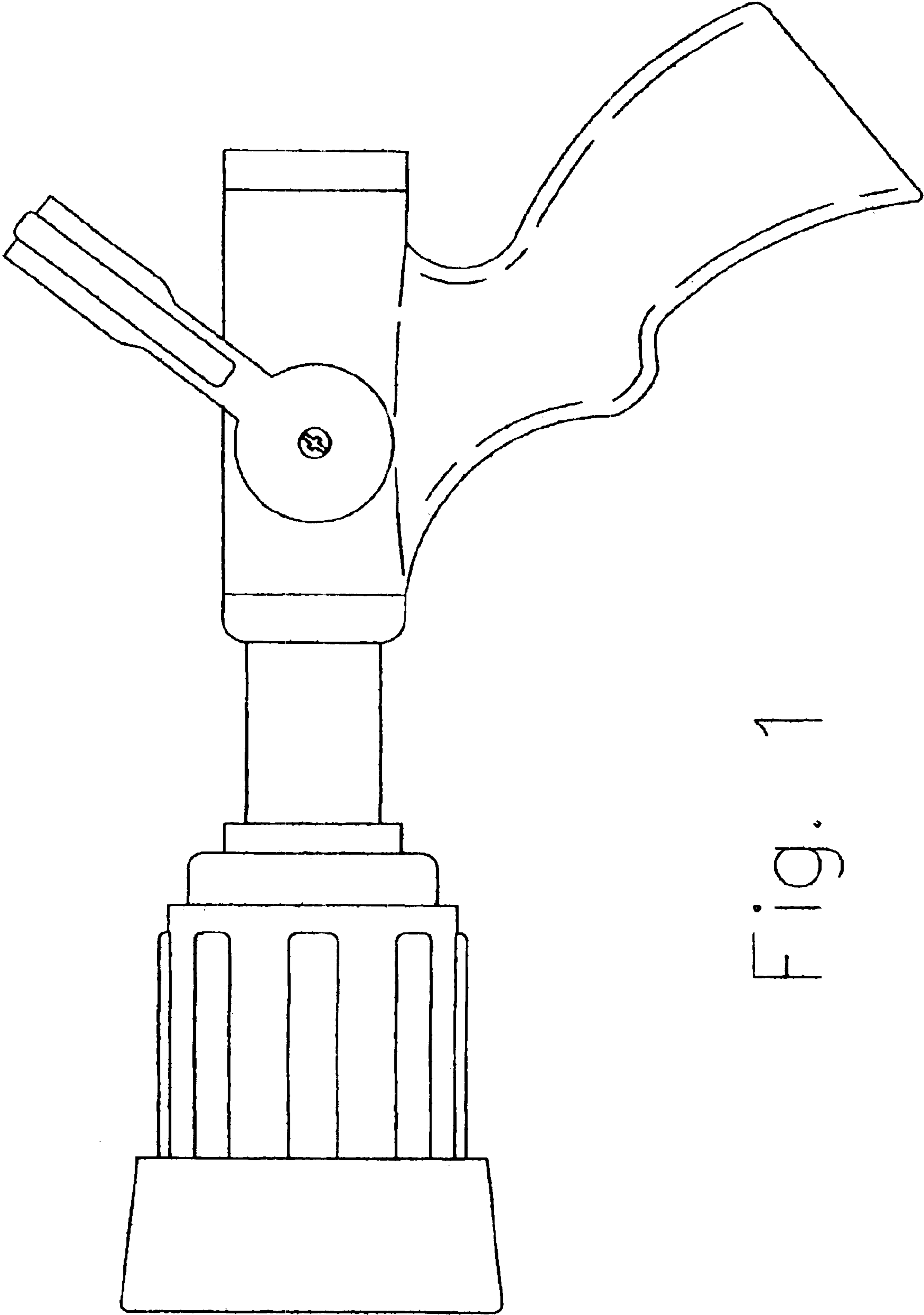


Fig. 1

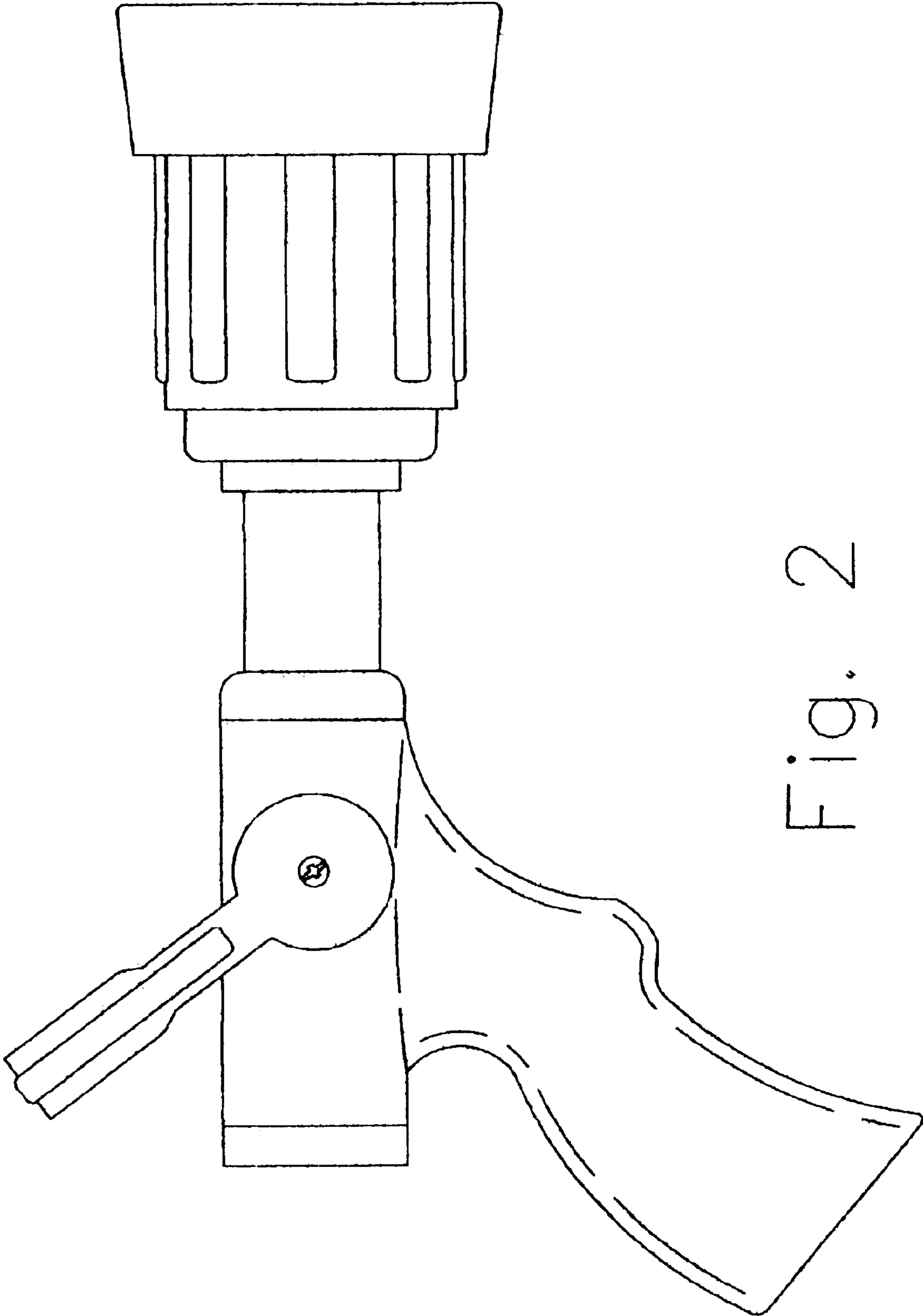


Fig. 2

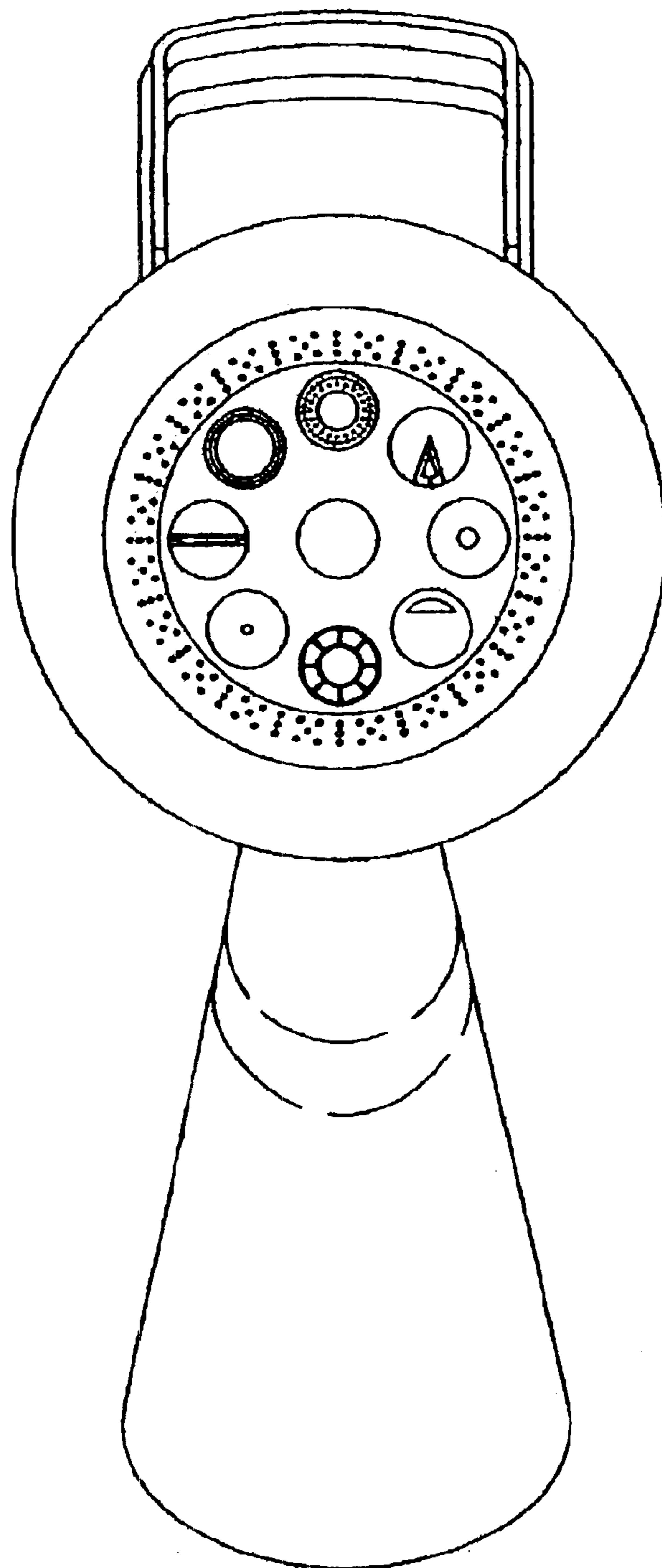


Fig. 3

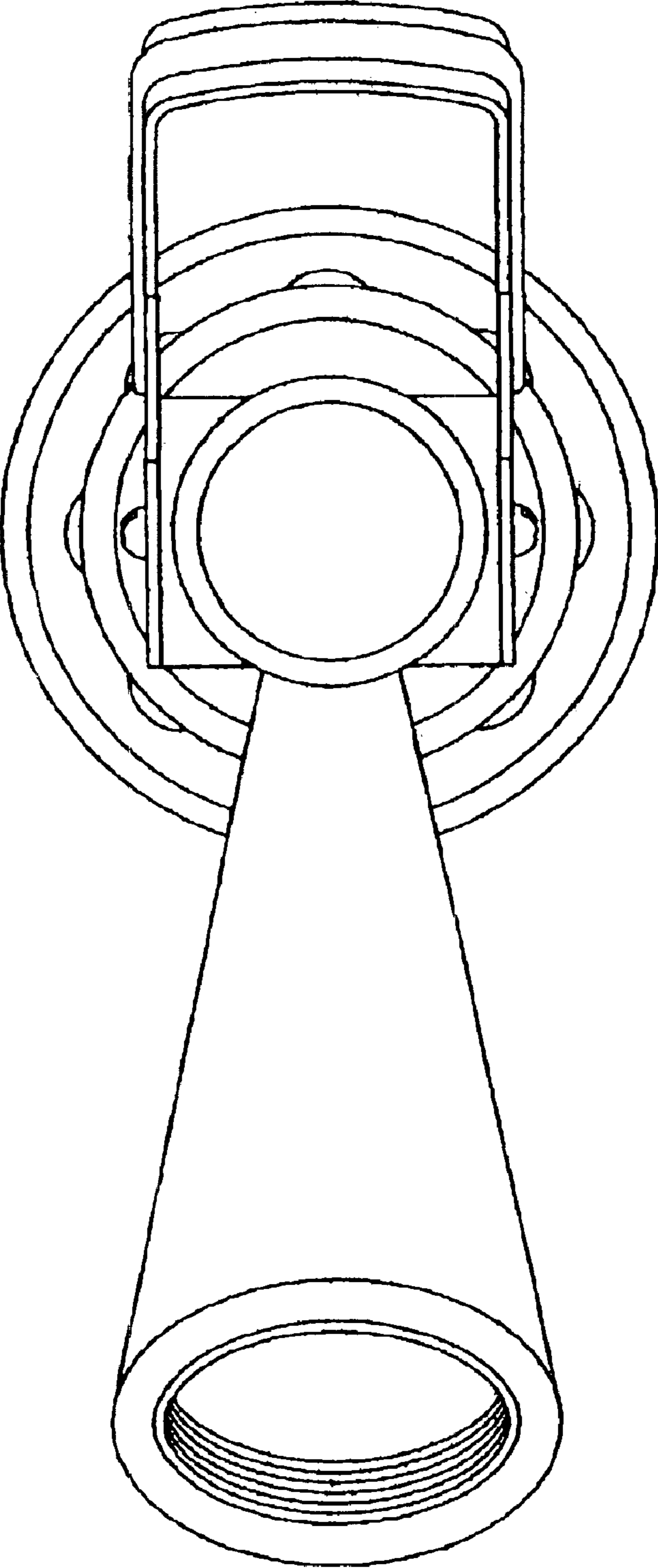


Fig. 4

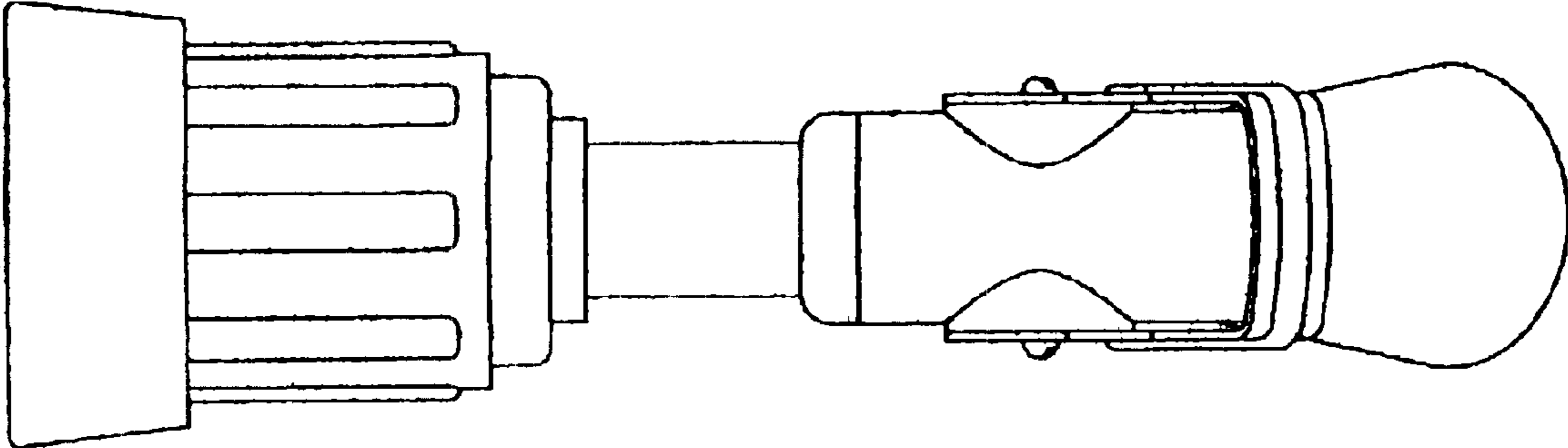


Fig. 5

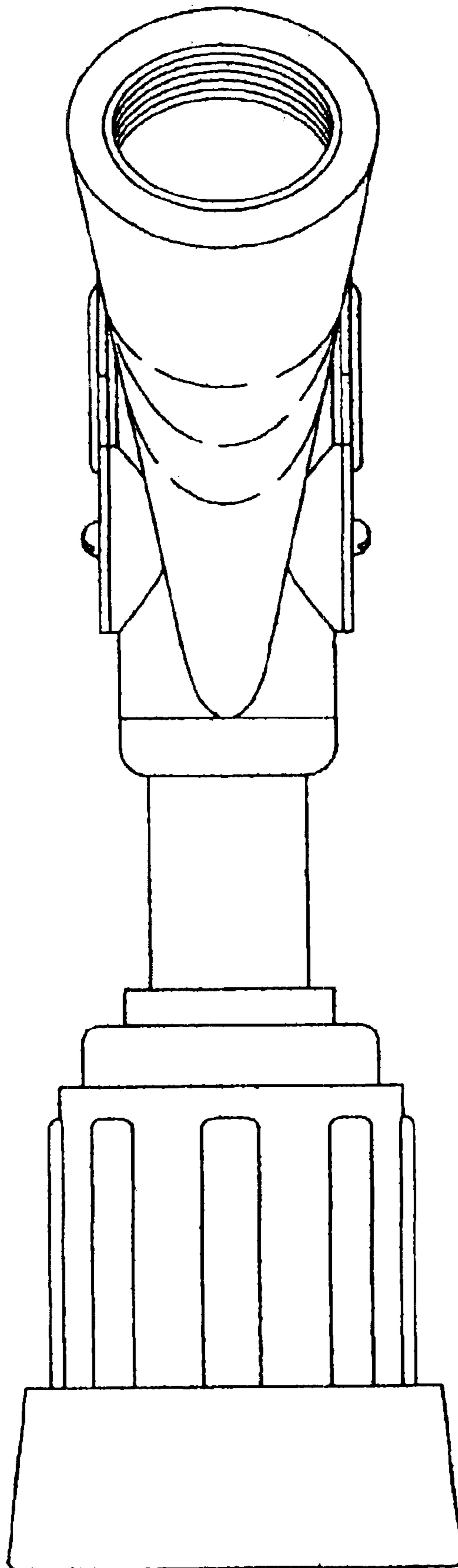


Fig. 6

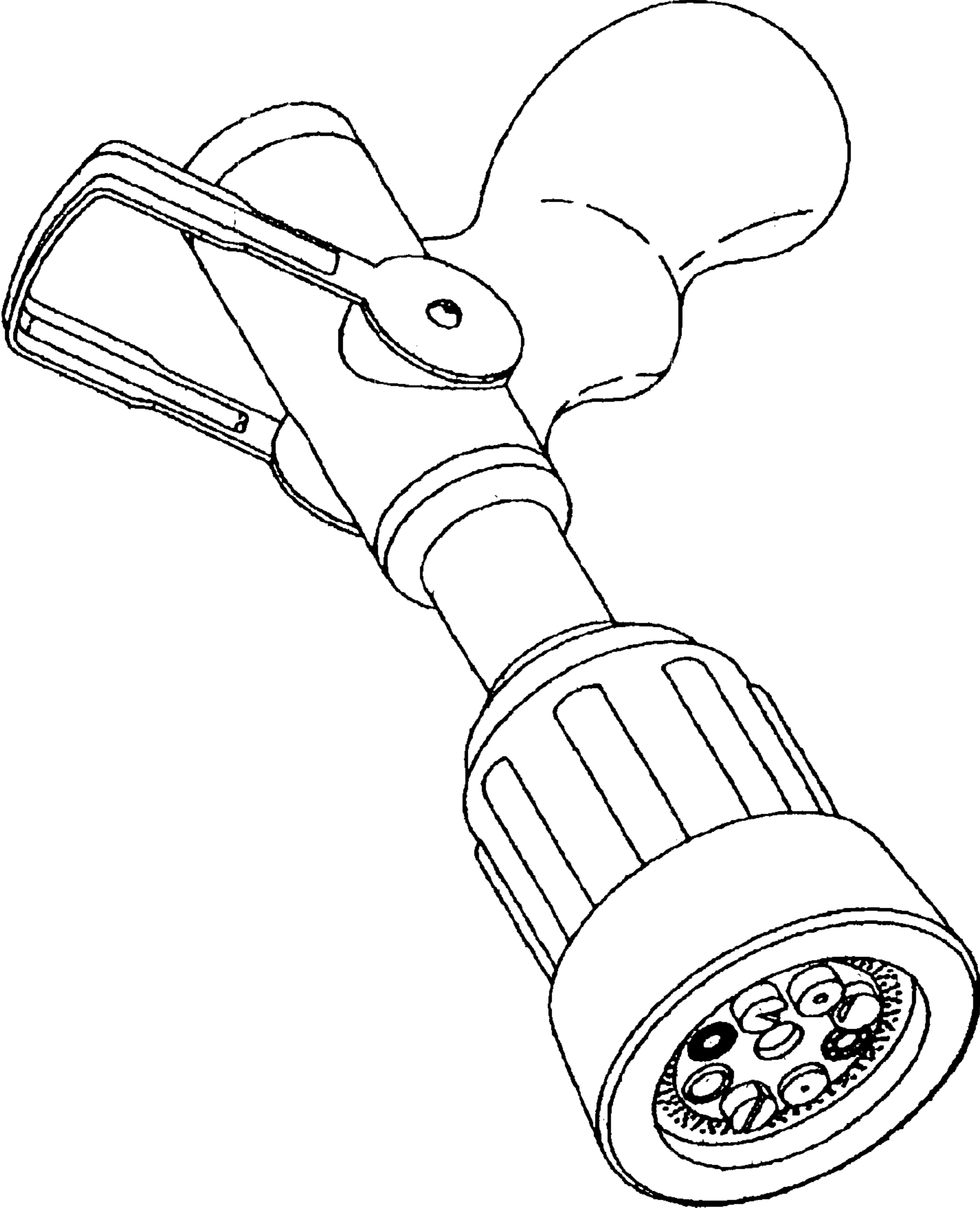


Fig. 7

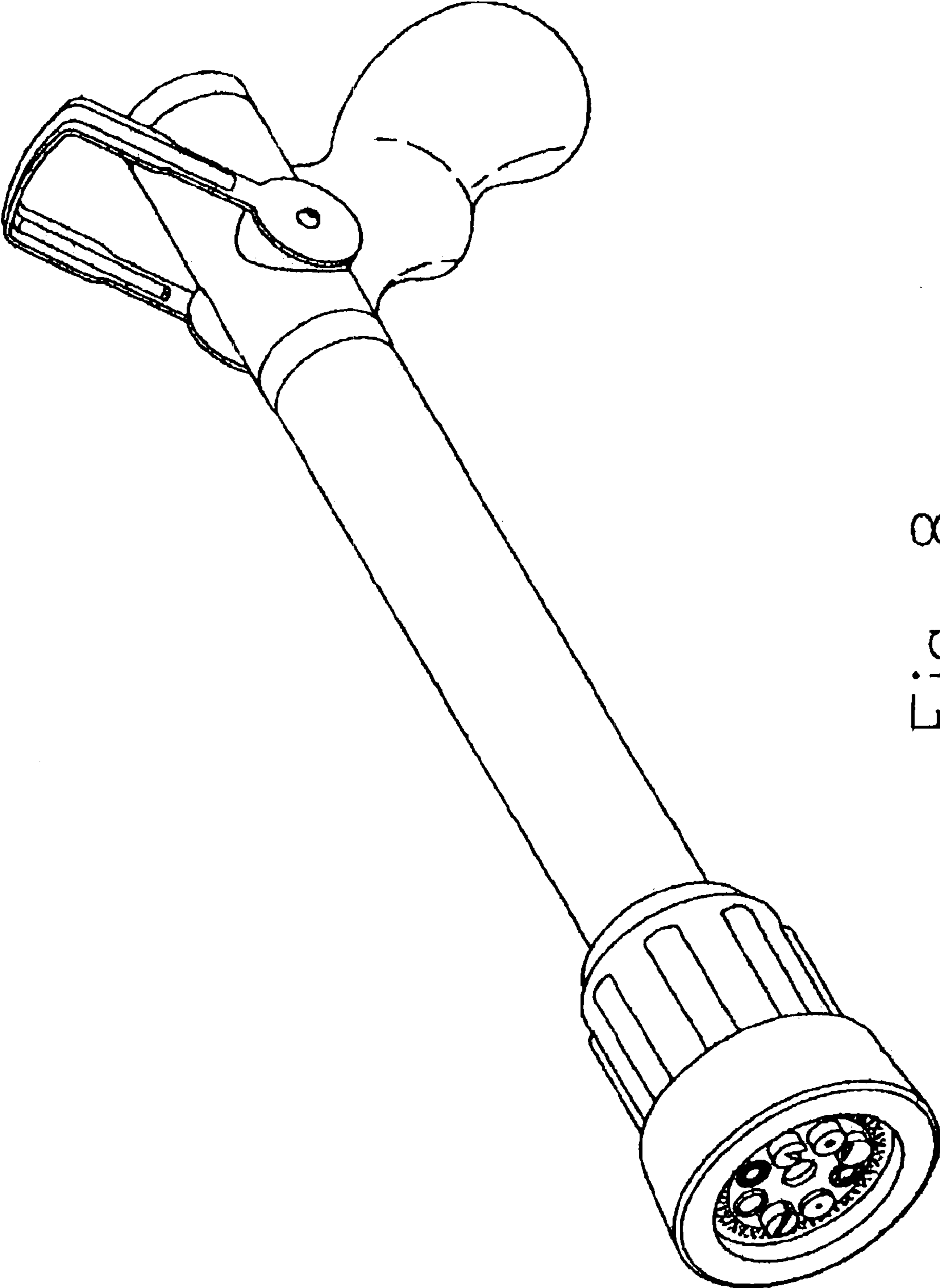


Fig. 8