

US00D496429S1

(12) **United States Design Patent**
Donnelly

(10) **Patent No.:** **US D496,429 S**
(45) **Date of Patent:** **** Sep. 21, 2004**

(54) **WATER FILTER**

D459,941 S * 7/2002 Miller D7/392
6,524,477 B1 * 2/2003 Hughes 210/282
6,638,426 B1 * 10/2003 Fritter et al. 210/266

(75) **Inventor:** **Vernon James Donnelly**, Isle of Man
(GB)

* cited by examiner

(73) **Assignee:** **Strix Limited**, Isle of Man (GB)

Primary Examiner—Robin V. Taylor

(**) **Term:** **14 Years**

(74) *Attorney, Agent, or Firm*—McCormick, Paulding &
Huber LLP

(21) **Appl. No.:** **29/175,713**

(57) **CLAIM**

(22) **Filed:** **Feb. 7, 2003**

The ornamental design for a water filter, as shown and
described.

(30) **Foreign Application Priority Data**

DESCRIPTION

Aug. 7, 2002 (GB) 3006038
Aug. 7, 2002 (GB) 3006039
Aug. 7, 2002 (GB) 3006040
Aug. 7, 2002 (GB) 3006041

FIG. 1 is an upper perspective view of a water filter showing
our new design;
FIG. 2 is a bottom view thereof;
FIG. 3 is a top view thereof;
FIG. 4 is an end view thereof;
FIG. 5 is a side view thereof;
FIG. 6 is an upper perspective view of a top portion of our
new design; and,
FIG. 7 is a top view of the top portion.
The portions shown in broken lines on the drawings repre-
sent environment only, and form no part of the claimed
design.

(51) **LOC (7) Cl.** **23-01**

(52) **U.S. Cl.** **D23/209**

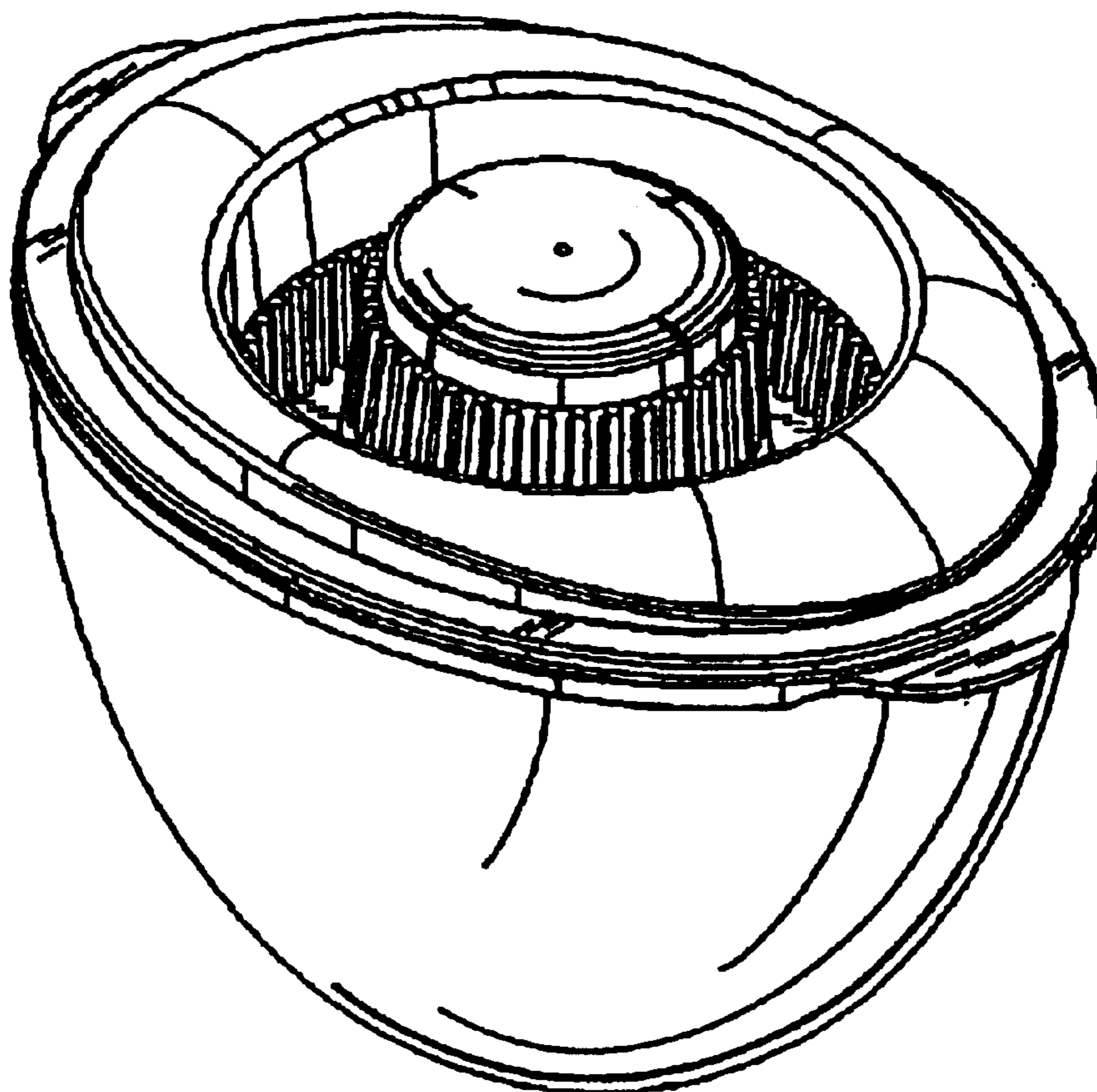
(58) **Field of Search** D23/207, 209;
210/469, 474

(56) **References Cited**

U.S. PATENT DOCUMENTS

5,076,922 A * 12/1991 DeAre 210/282
5,652,008 A * 7/1997 Heiligman 426/422

1 Claim, 3 Drawing Sheets



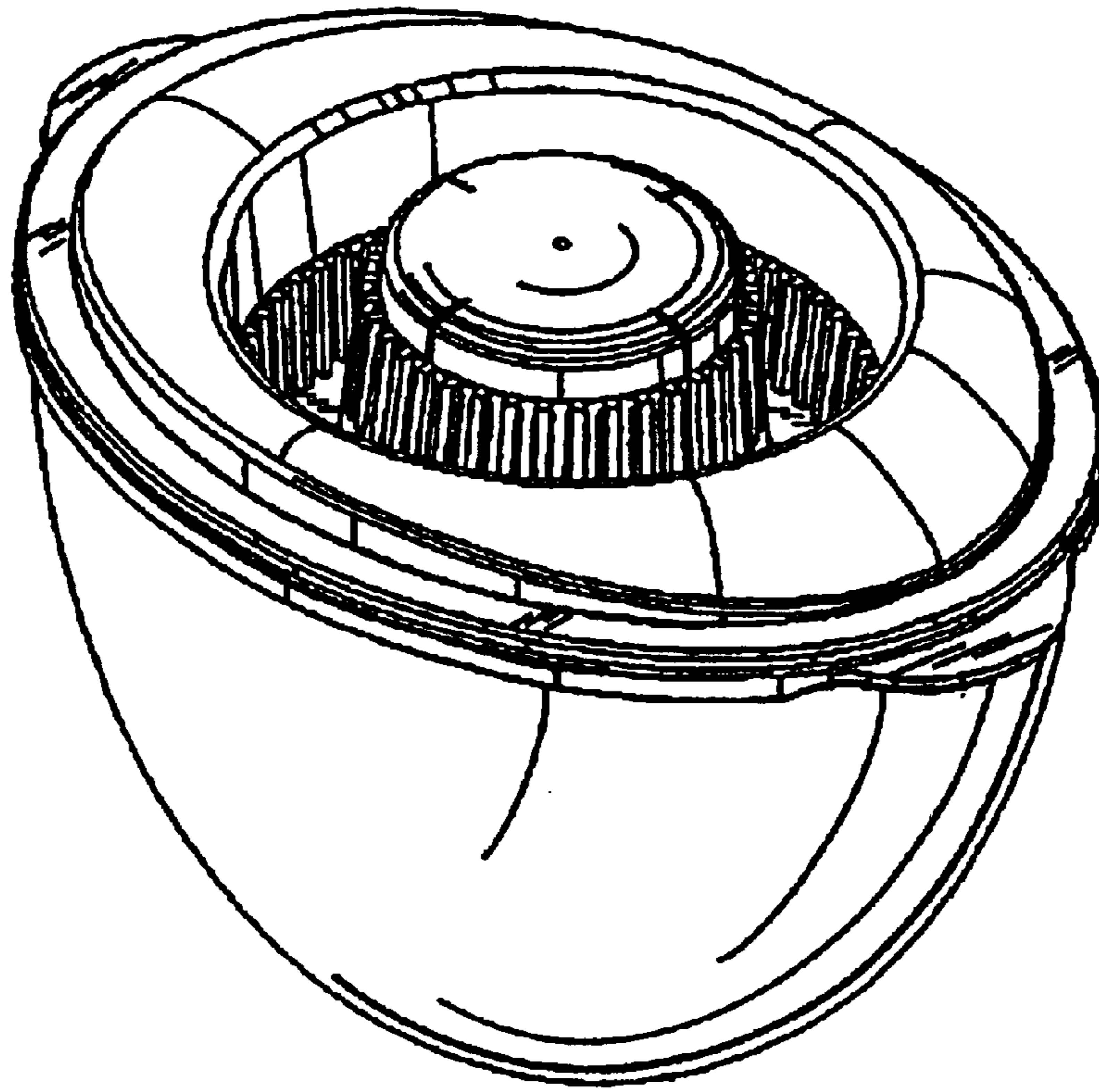


FIG. 1

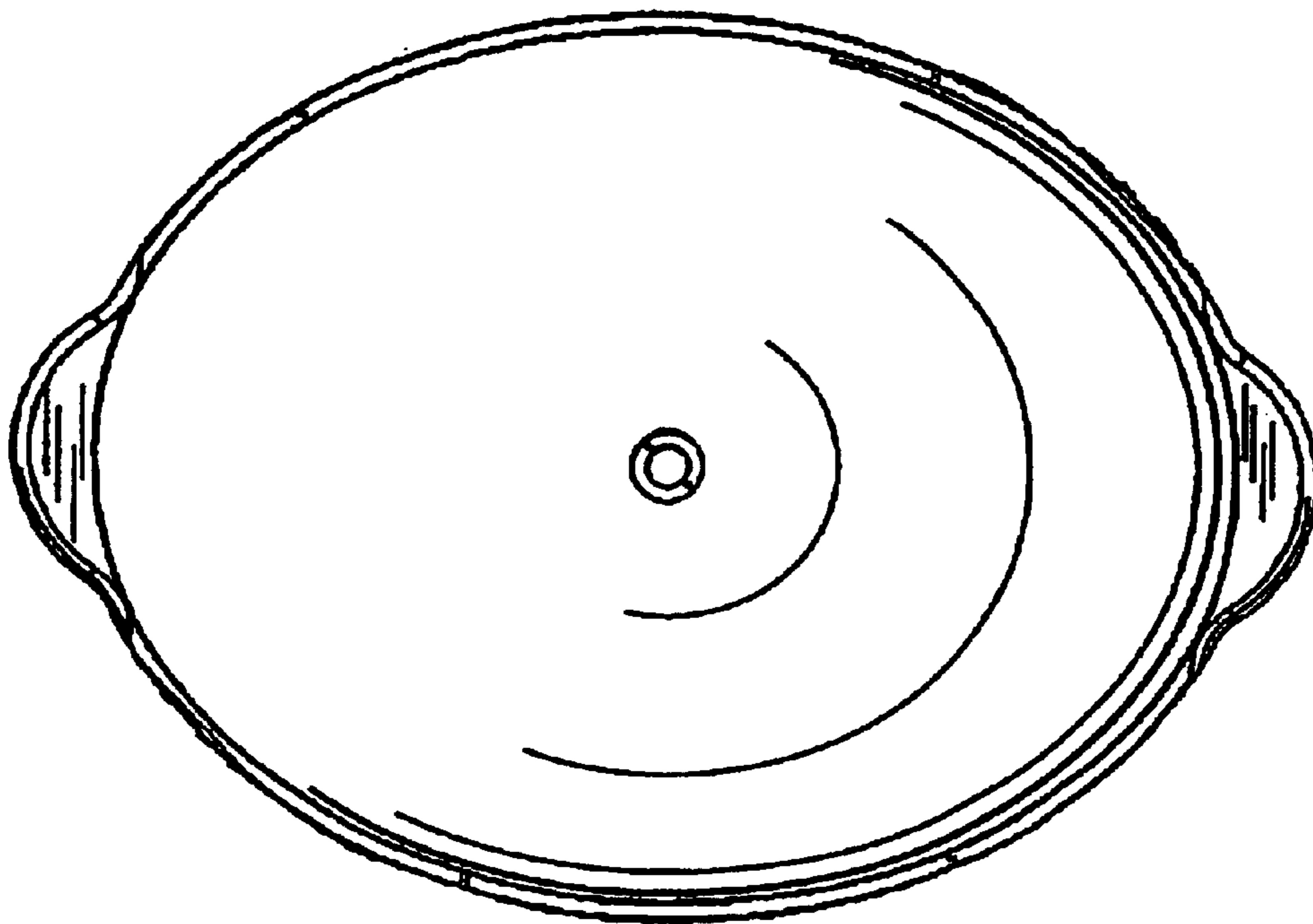


FIG. 2

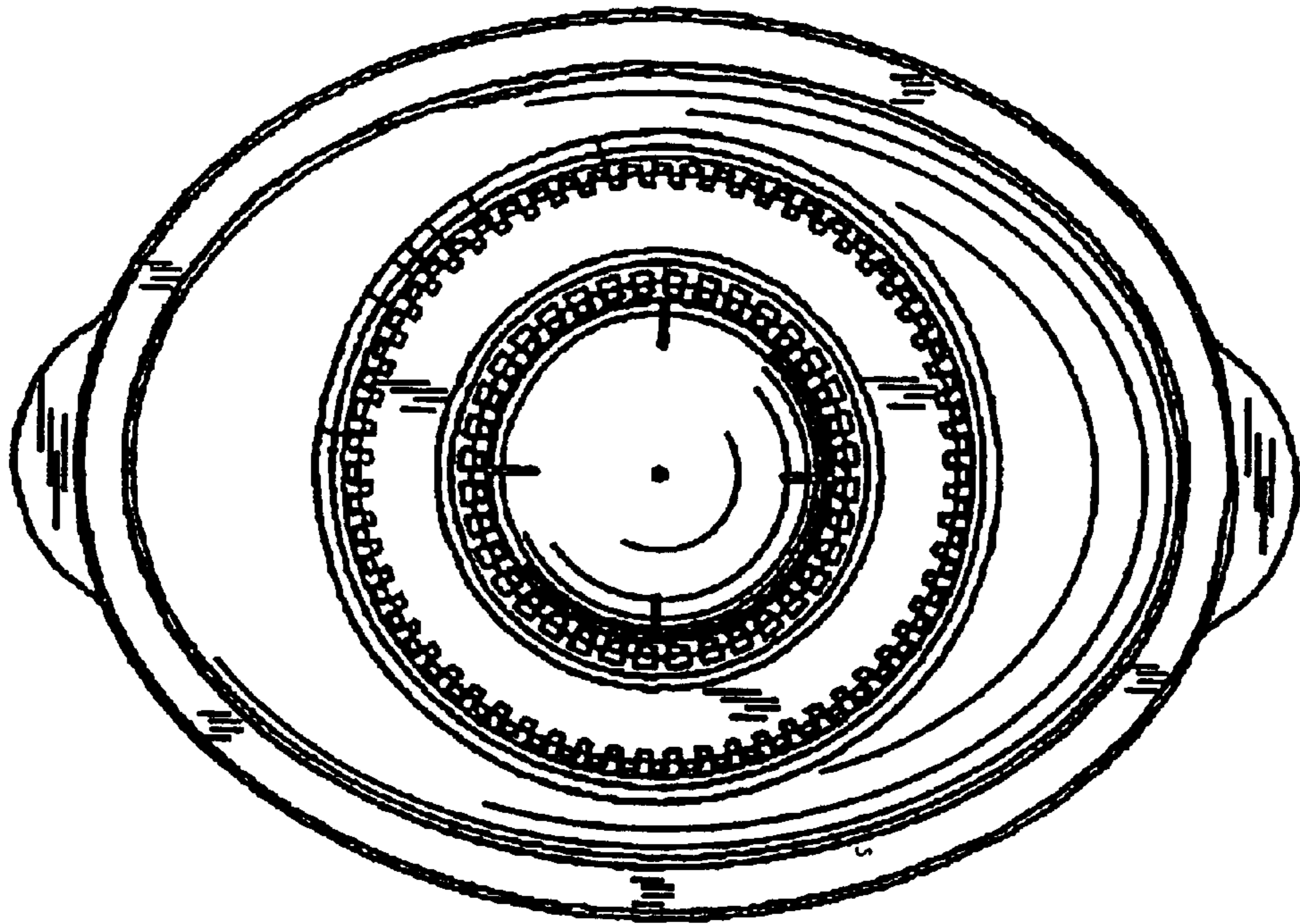


FIG. 3

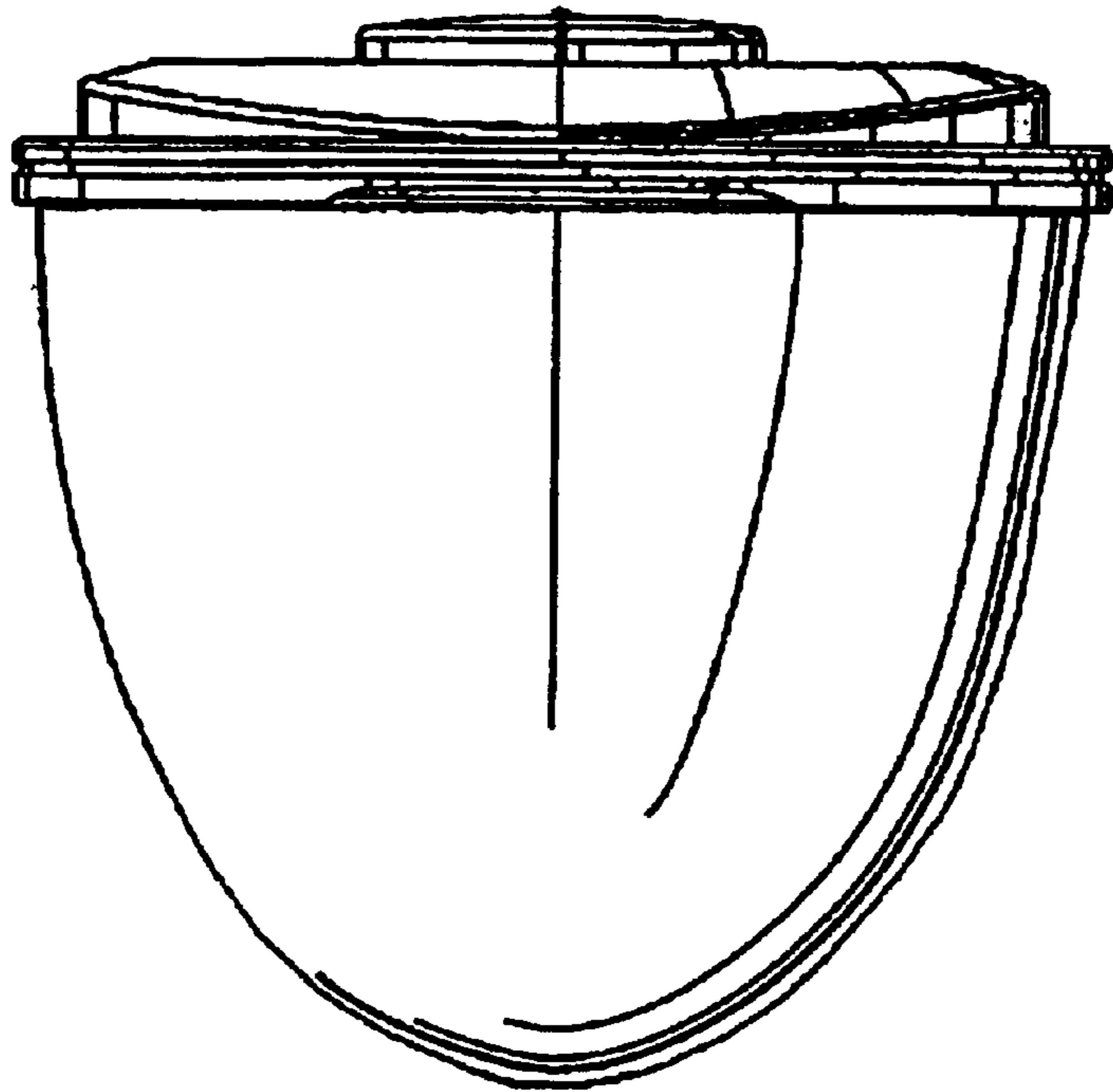


FIG. 4

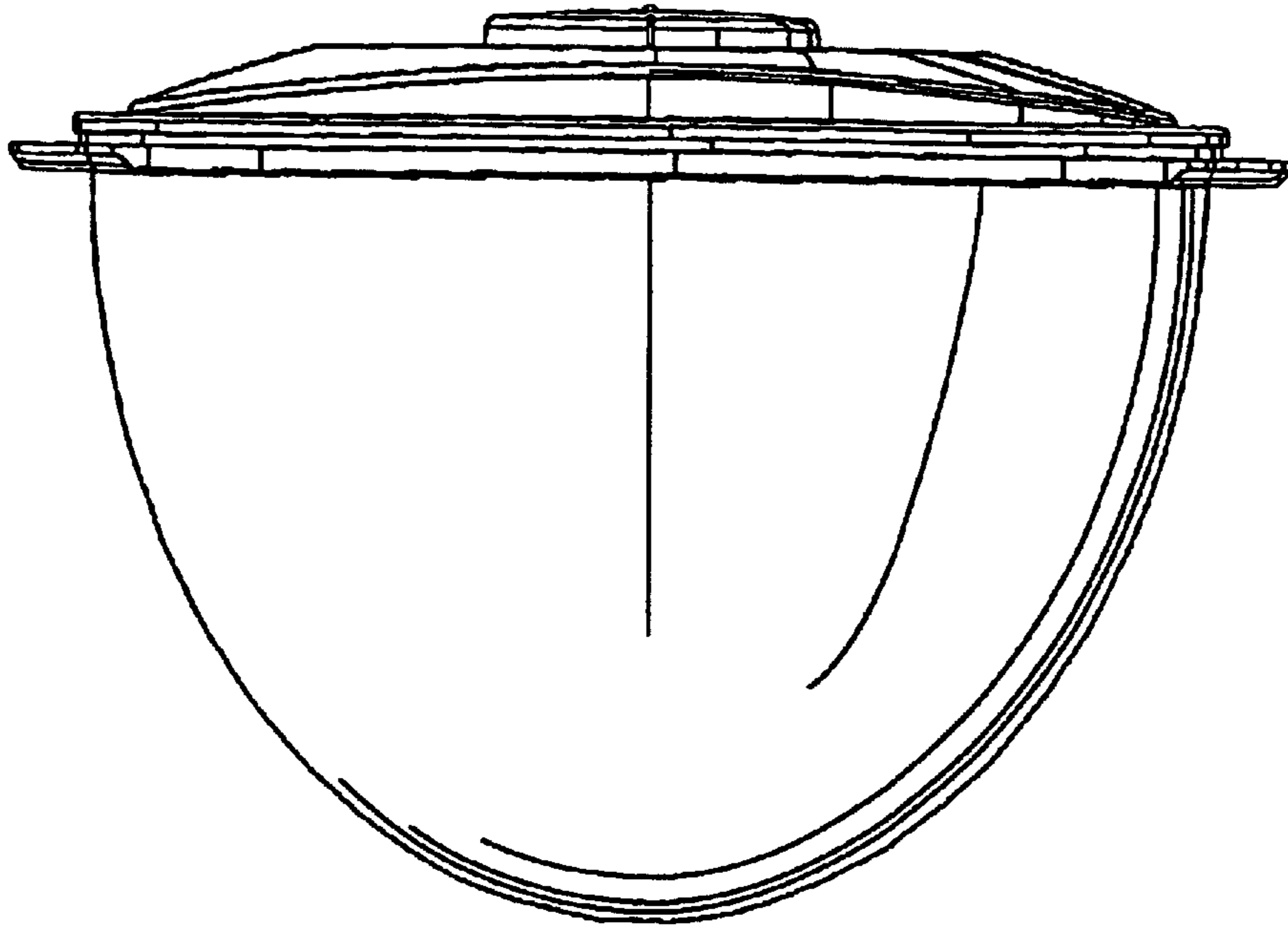


FIG. 5

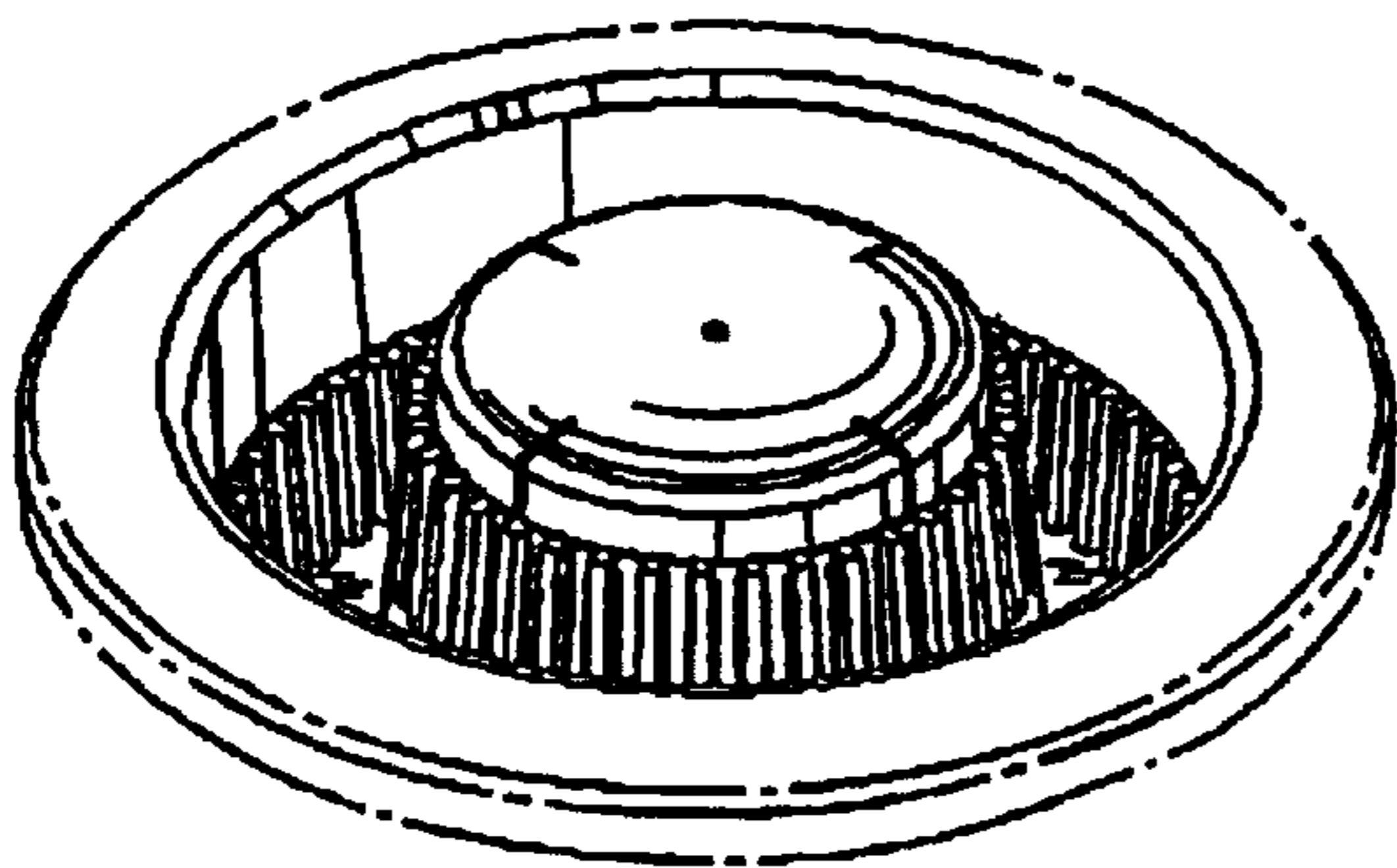


FIG. 6

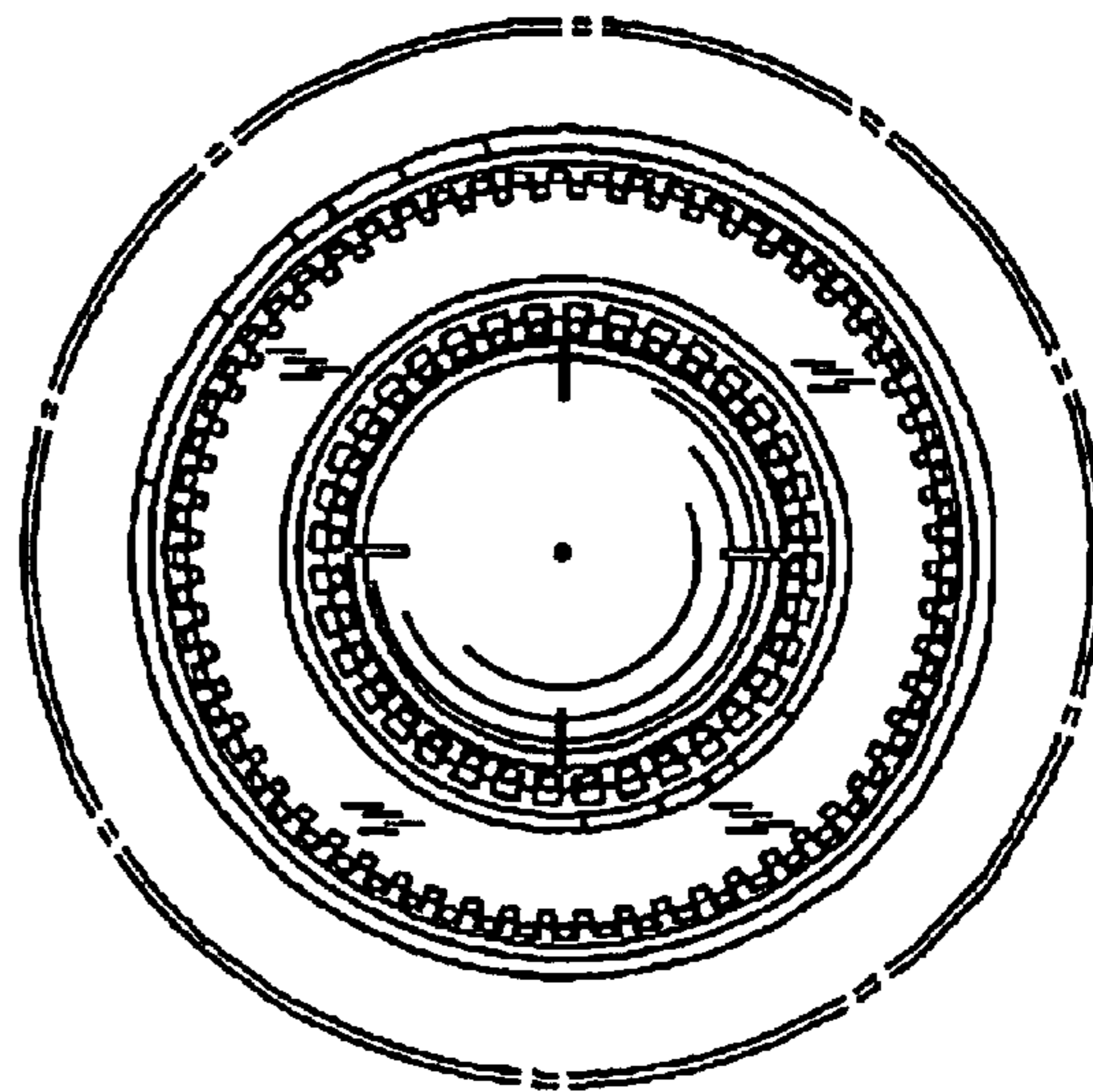


FIG. 7