

US00D496421S1

(12) **United States Design Patent**  
**Meeker**

(10) **Patent No.: US D496,421 S**

(45) **Date of Patent: \*\* Sep. 21, 2004**

(54) **ICE SKATING TRAINING AID**

(76) **Inventor: Mike Meeker**, 10349 Arbay Close,  
Sidney, British Columbia (CA), V8L  
4S2

(\*\*) **Term: 14 Years**

(21) **Appl. No.: 29/185,104**

(22) **Filed: Jun. 23, 2003**

(51) **LOC (7) Cl. .... 21-02**

(52) **U.S. Cl. .... D21/771**

(58) **Field of Search** ..... D21/771; D12/130,  
D12/133; D3/7, 9; 280/841, 11.12, 11.18,  
11.19, 809, 811, 87.051, 87.05, 87.021;  
482/71, 66; 434/253, 255

(56) **References Cited**

**U.S. PATENT DOCUMENTS**

3,235,254 A \* 2/1966 Robson ..... 280/87.051  
3,695,609 A \* 10/1972 Rothe ..... 280/87.041  
4,021,033 A \* 5/1977 Auclair et al. .... 482/66

D301,598 S \* 6/1989 Harris ..... D21/771  
5,024,601 A \* 6/1991 Barker ..... 434/255  
D357,522 S \* 4/1995 Garneau ..... D12/130  
D388,854 S \* 1/1998 Love ..... D21/771  
D389,545 S \* 1/1998 Gertler ..... D21/760  
D433,475 S \* 11/2000 Gonzalez ..... D21/771

\* cited by examiner

*Primary Examiner*—Raphael Barkai

(74) *Attorney, Agent, or Firm*—Sturm & Fix LLP

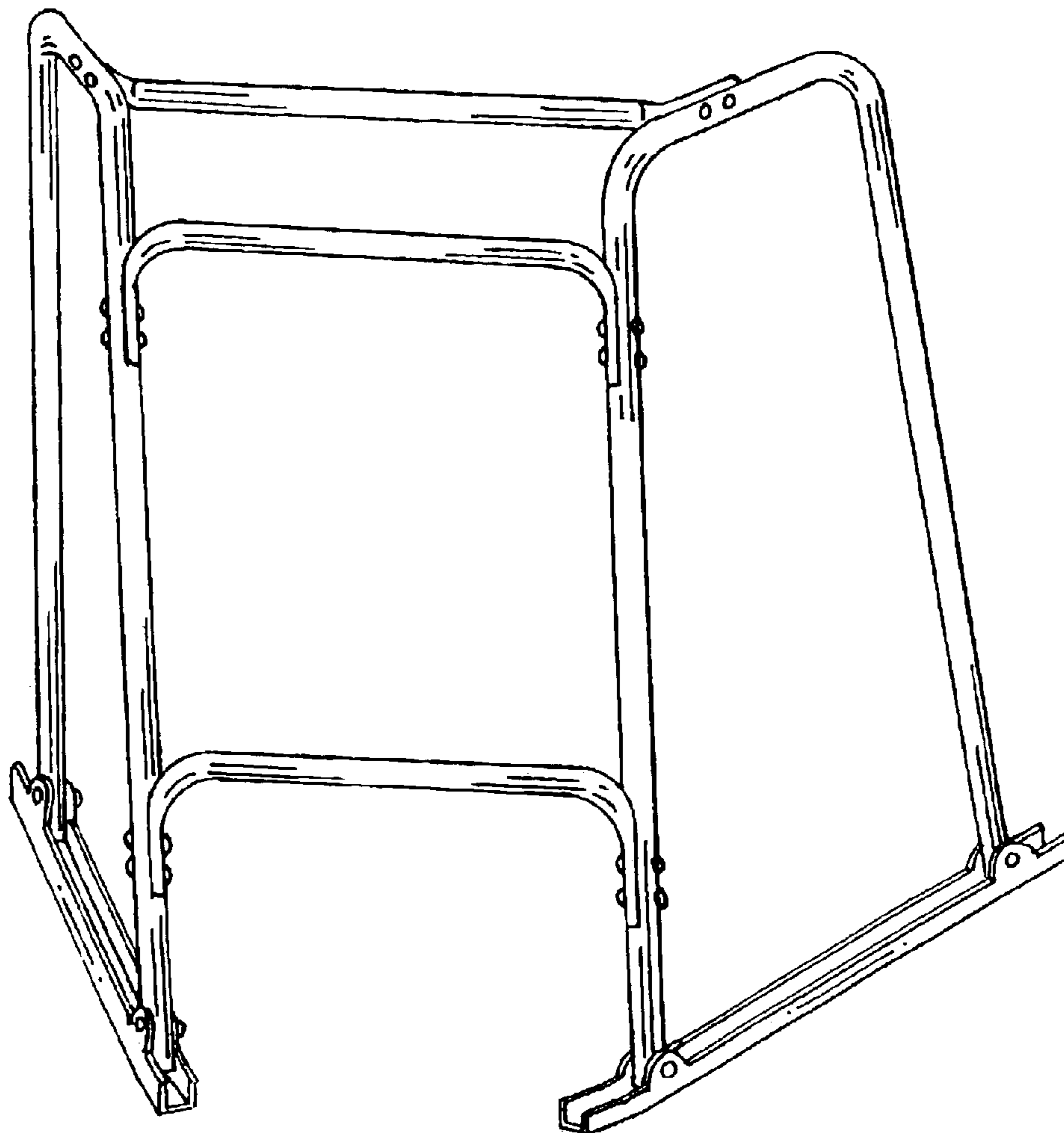
(57) **CLAIM**

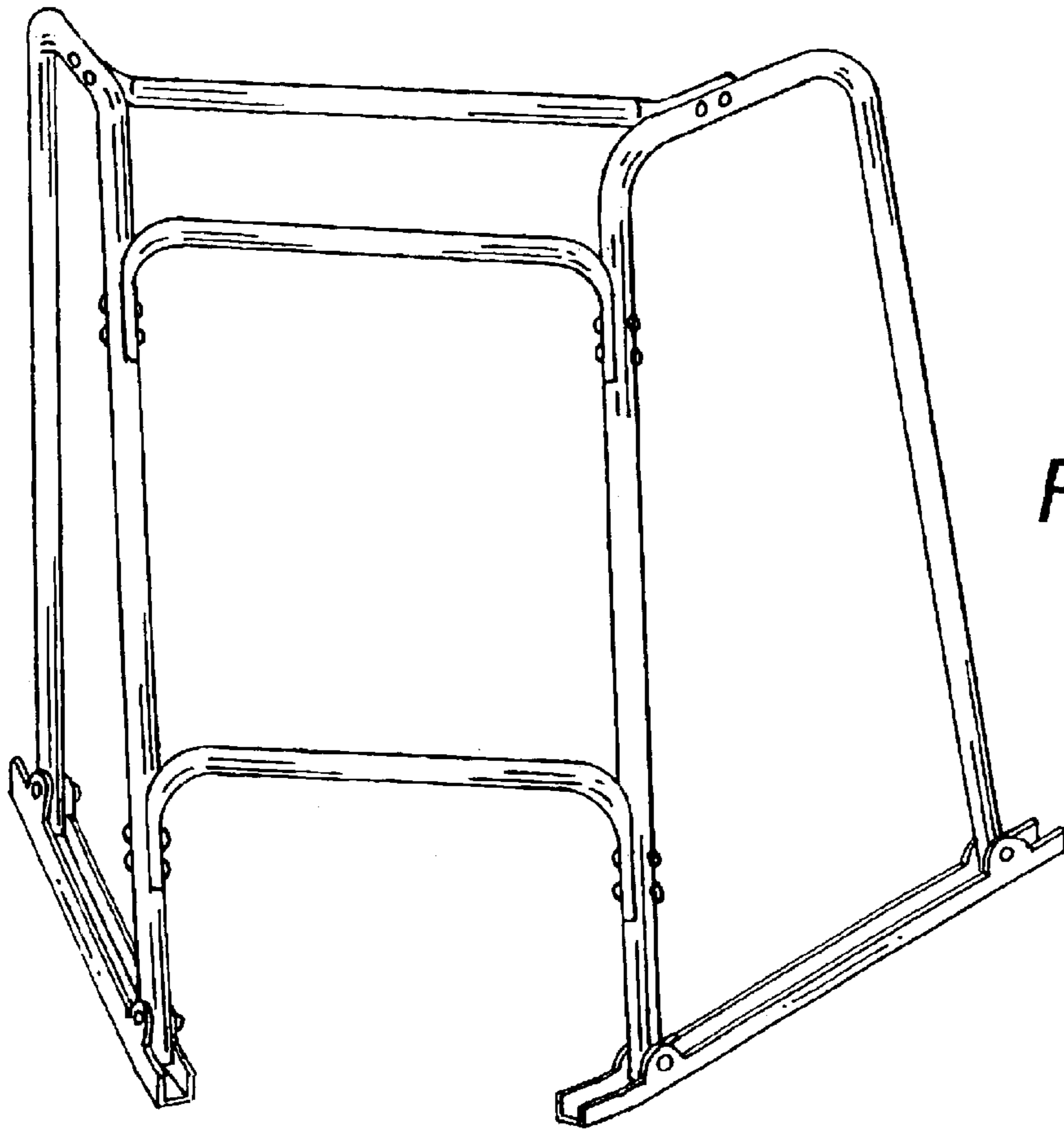
The ornamental design for an ice skating training aid, as shown and described.

**DESCRIPTION**

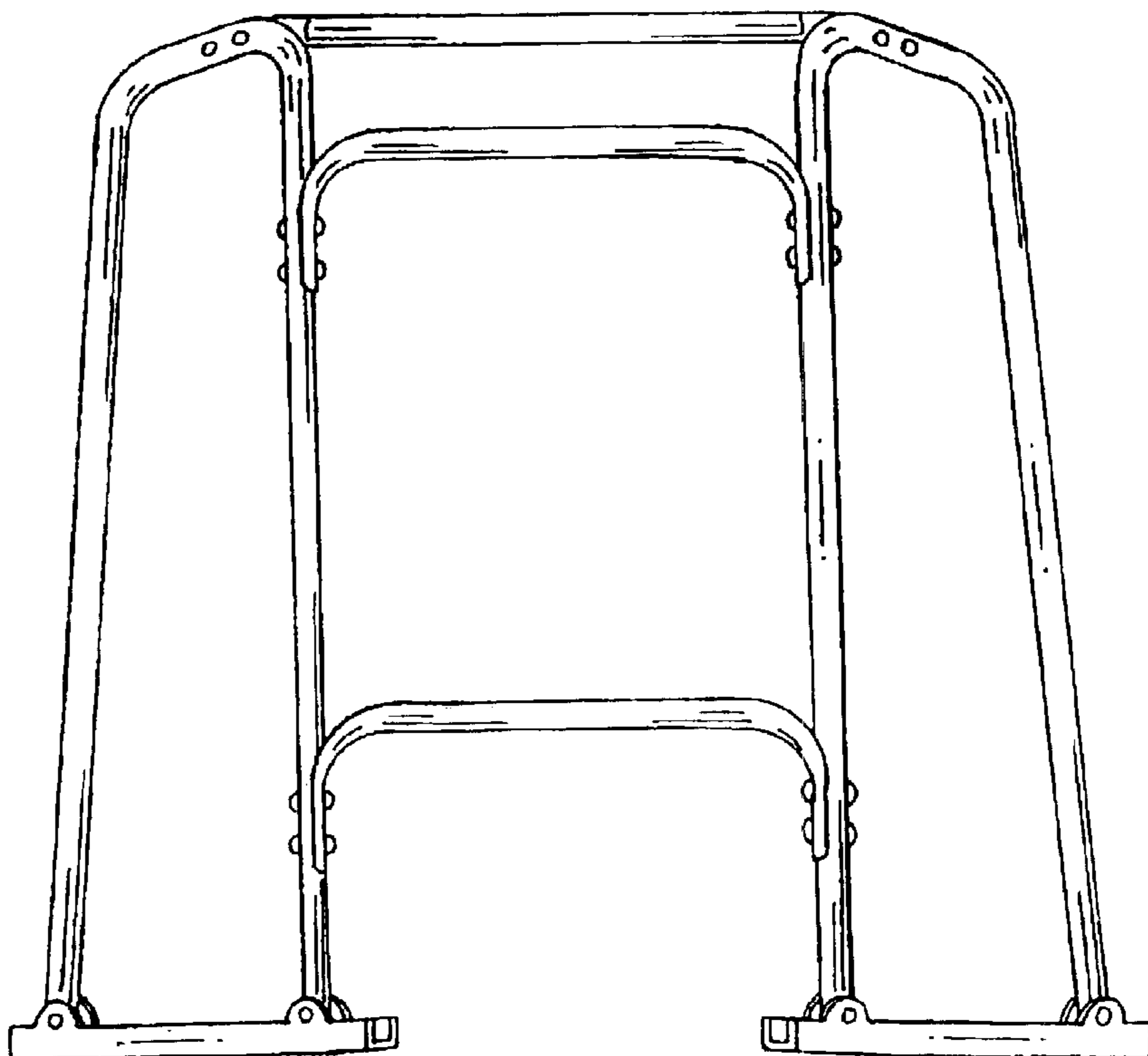
FIG. 1 is a perspective view showing my design;  
FIG. 2 is a front elevation view thereof;  
FIG. 3 is a side elevation view thereof;  
FIG. 4 is a rear elevation view thereof;  
FIG. 5 is a top plan view thereof; and,  
FIG. 6 is a bottom plan view thereof.

**1 Claim, 3 Drawing Sheets**

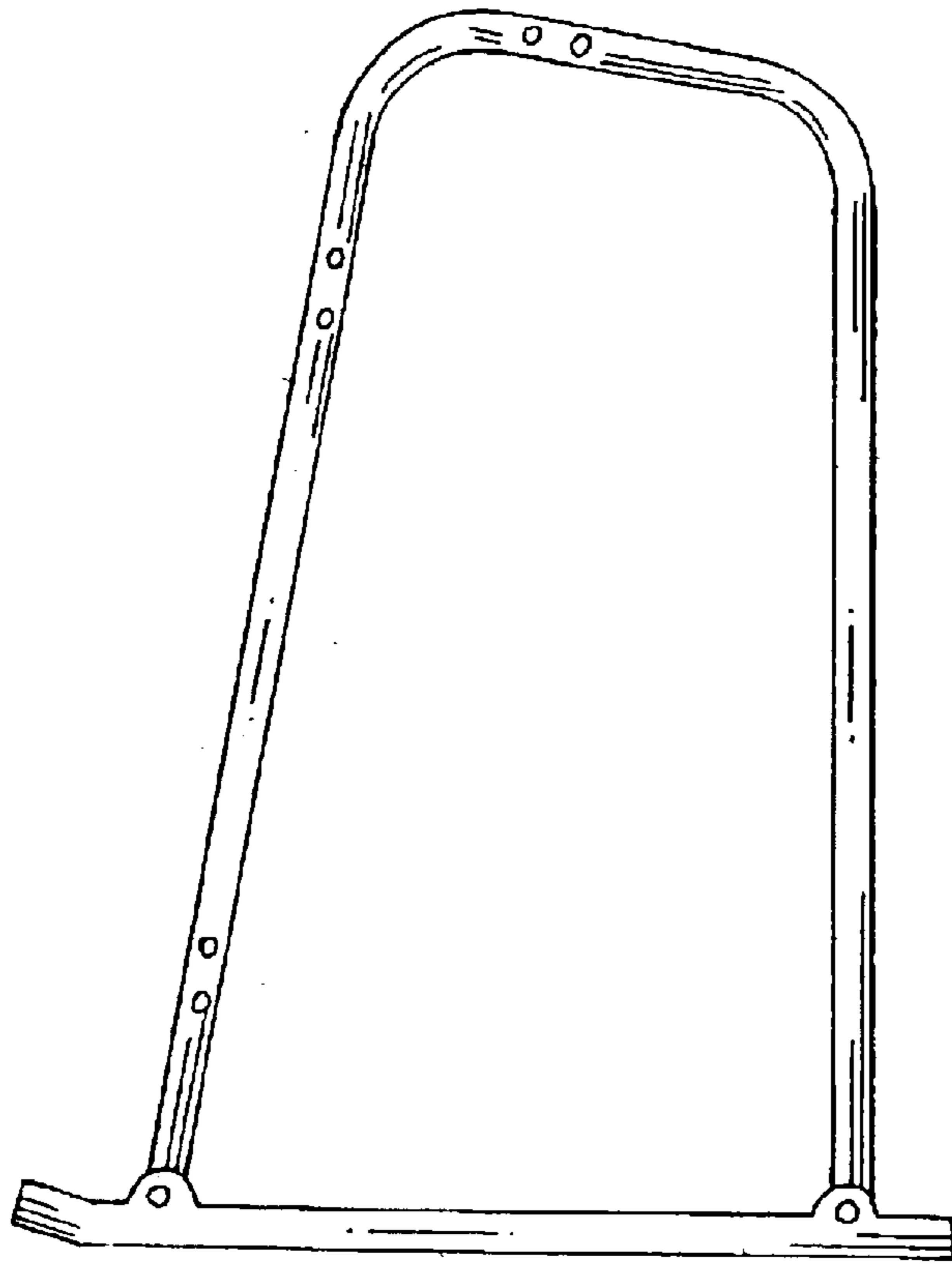




*Fig. 1*

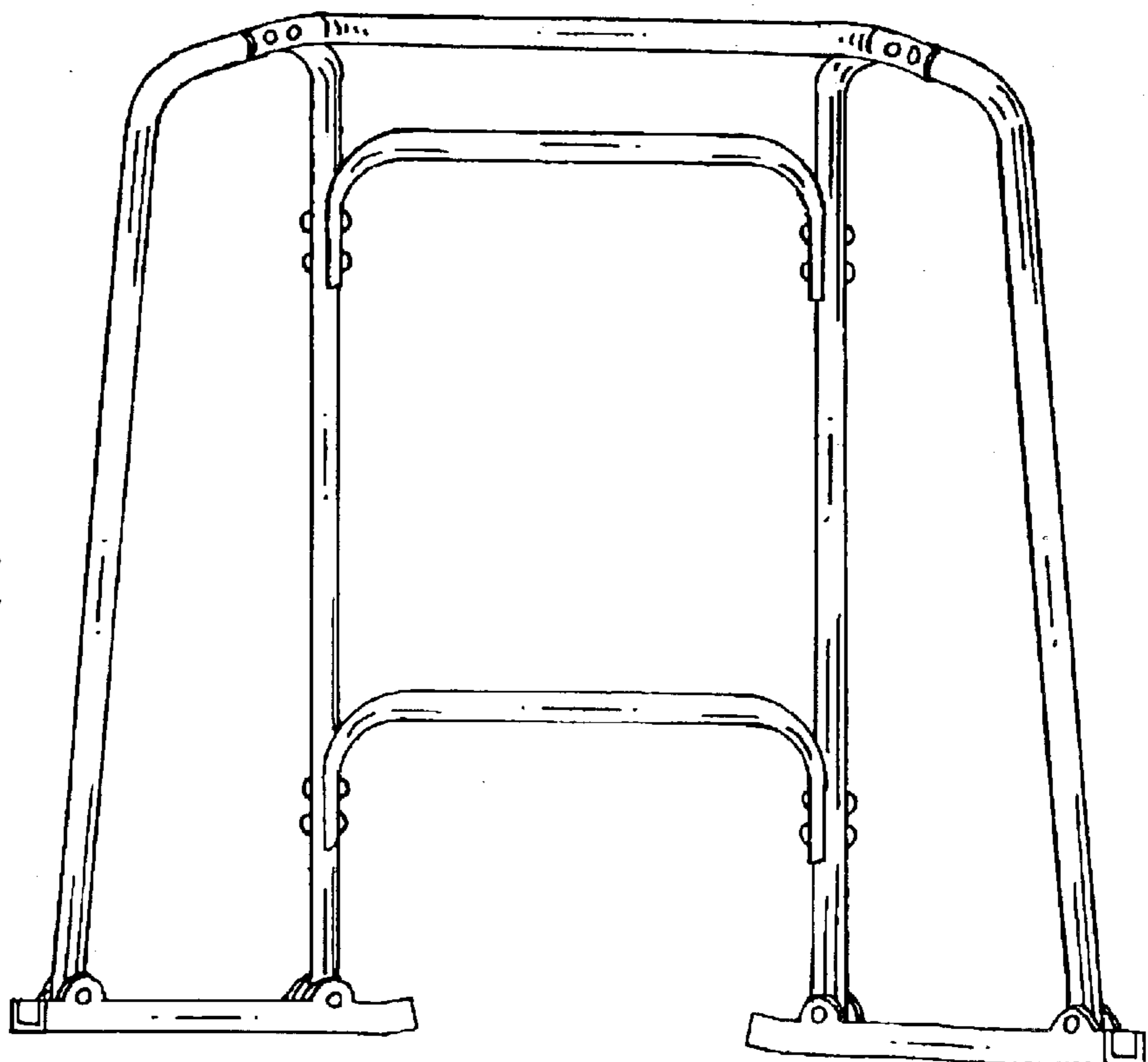


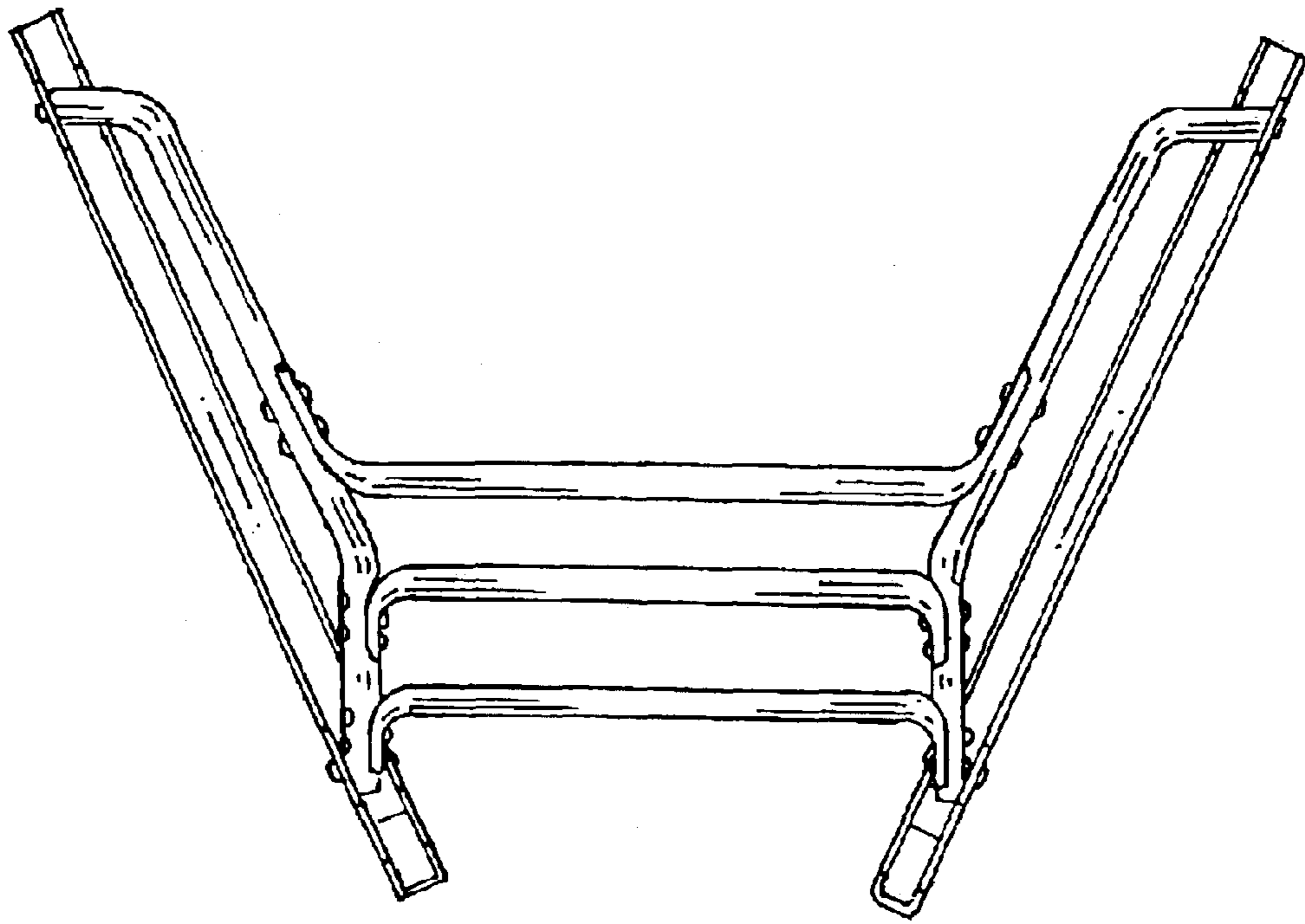
*Fig. 2*



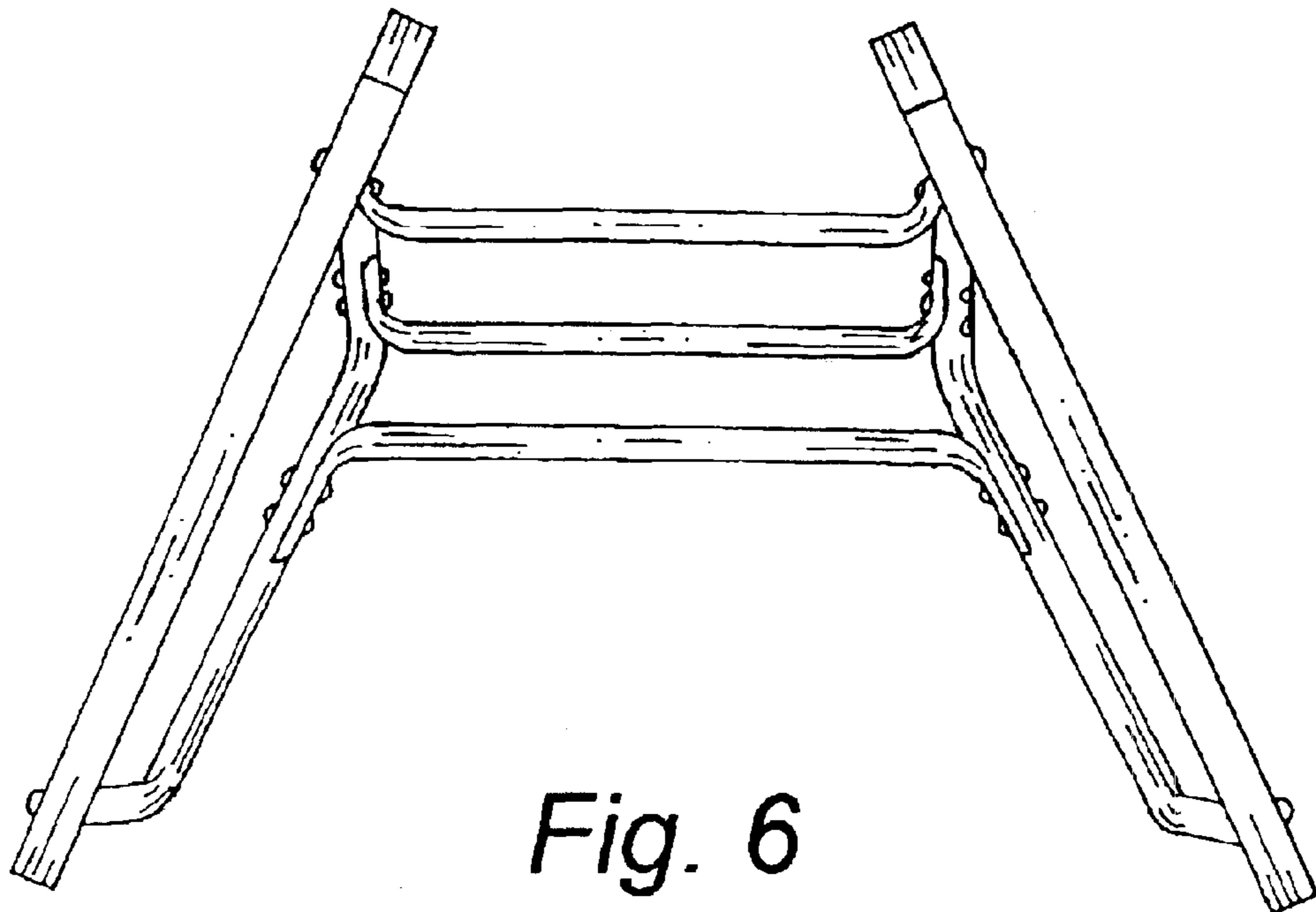
*Fig. 3*

*Fig. 4*





*Fig. 5*



*Fig. 6*