

US00D496419S1

(12) **United States Design Patent**
Lang et al.

(10) **Patent No.:** **US D496,419 S**

(45) **Date of Patent:** **** Sep. 21, 2004**

(54) **IRON GOLF CLUB HEAD**

(75) Inventors: **Robert R. Lang**, Escondido, CA (US);
Andrew Oldknow, Laguna Niguel, CA
(US); **Homer Aguinaldo**, San Diego,
CA (US); **Augustin W. Rollinson**,
Carlsbad, CA (US); **Roger Cleveland**,
Los Angeles, CA (US)

(73) Assignee: **Callaway Golf Company**, Carlsbad,
CA (US)

(**) Term: **14 Years**

(21) Appl. No.: **29/200,110**

(22) Filed: **Feb. 23, 2004**

(51) **LOC (7) Cl.** **21-02**

(52) **U.S. Cl.** **D21/747**

(58) **Field of Search** D21/747-751,
D21/759, 473; 473/324-331, 350

(56) **References Cited**

U.S. PATENT DOCUMENTS

D464,387 S * 10/2002 Rollinson et al. D21/748

D464,693 S * 10/2002 Rollinson et al. D21/748
D474,822 S * 5/2003 Cleveland et al. D21/747
D485,877 S * 1/2004 Clausen et al. D21/747

* cited by examiner

Primary Examiner—Mitchell Siegel

(74) *Attorney, Agent, or Firm*—Michael A. Catania; Elaine
H. Lo

(57) **CLAIM**

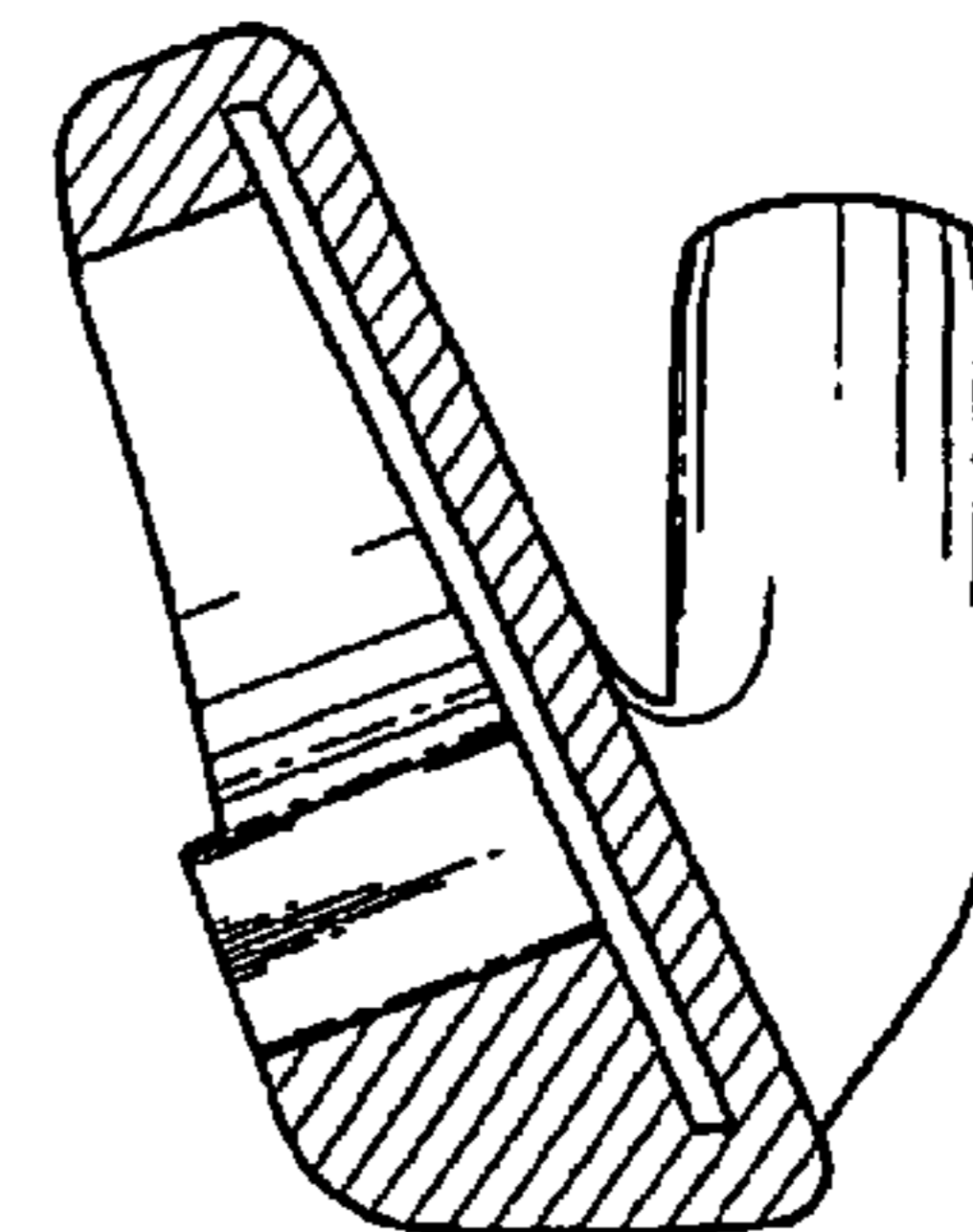
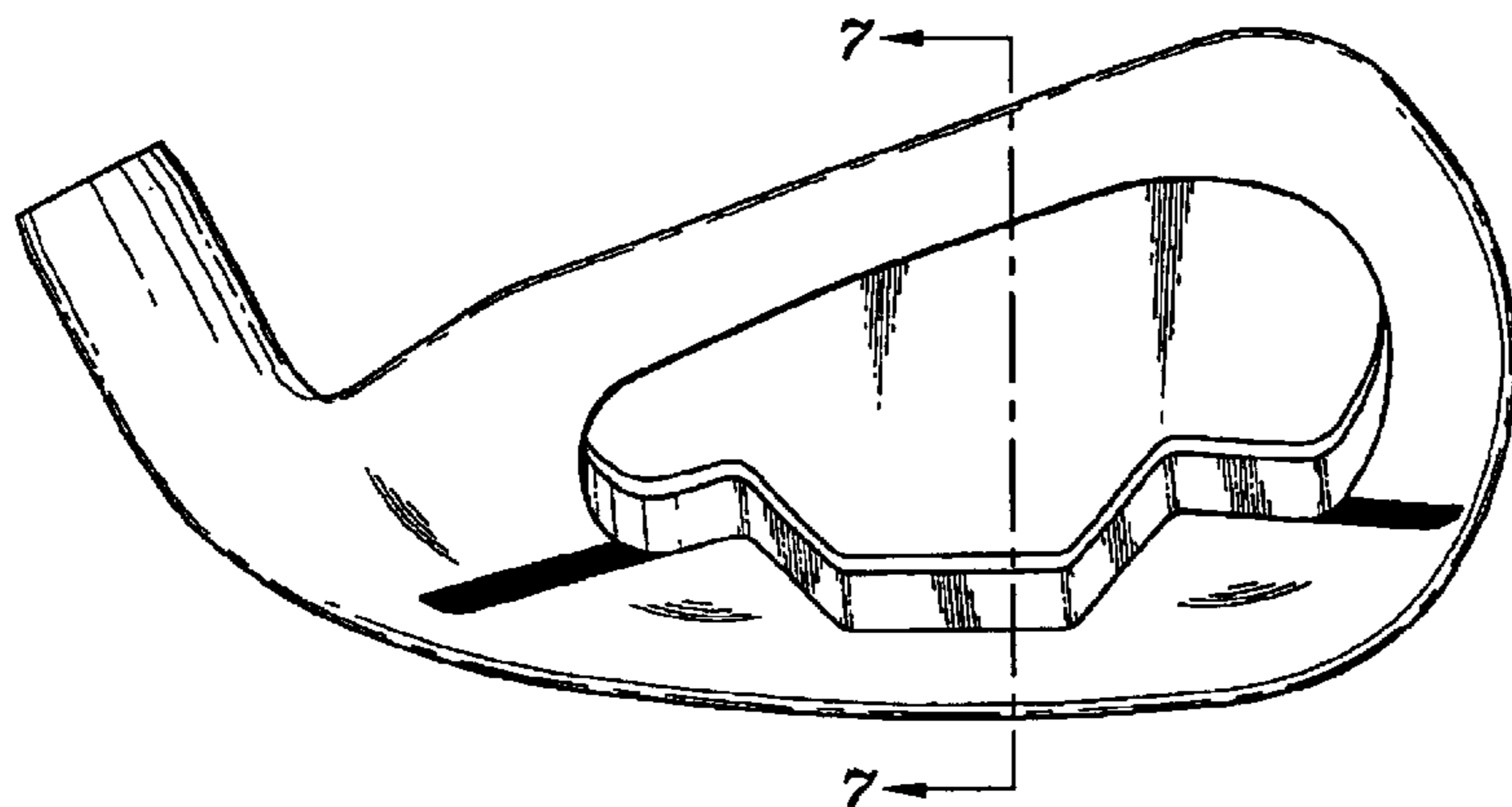
The ornamental design for an iron golf club head, as shown
and described.

DESCRIPTION

FIG. 1 is a front elevational view thereof;
FIG. 2 is a rear elevational view thereof;
FIG. 3 is a top plan view thereof;
FIG. 4 is a bottom plan view thereof;
FIG. 5 is a heel end view thereof;
FIG. 6 is a toe end view thereof; and,
FIG. 7 is a cross-sectional view taken generally across the
lines 7—7 of FIG. 3.

The broken line showing is for illustrative purposes only and
forms no part of the claimed design.

1 Claim, 2 Drawing Sheets



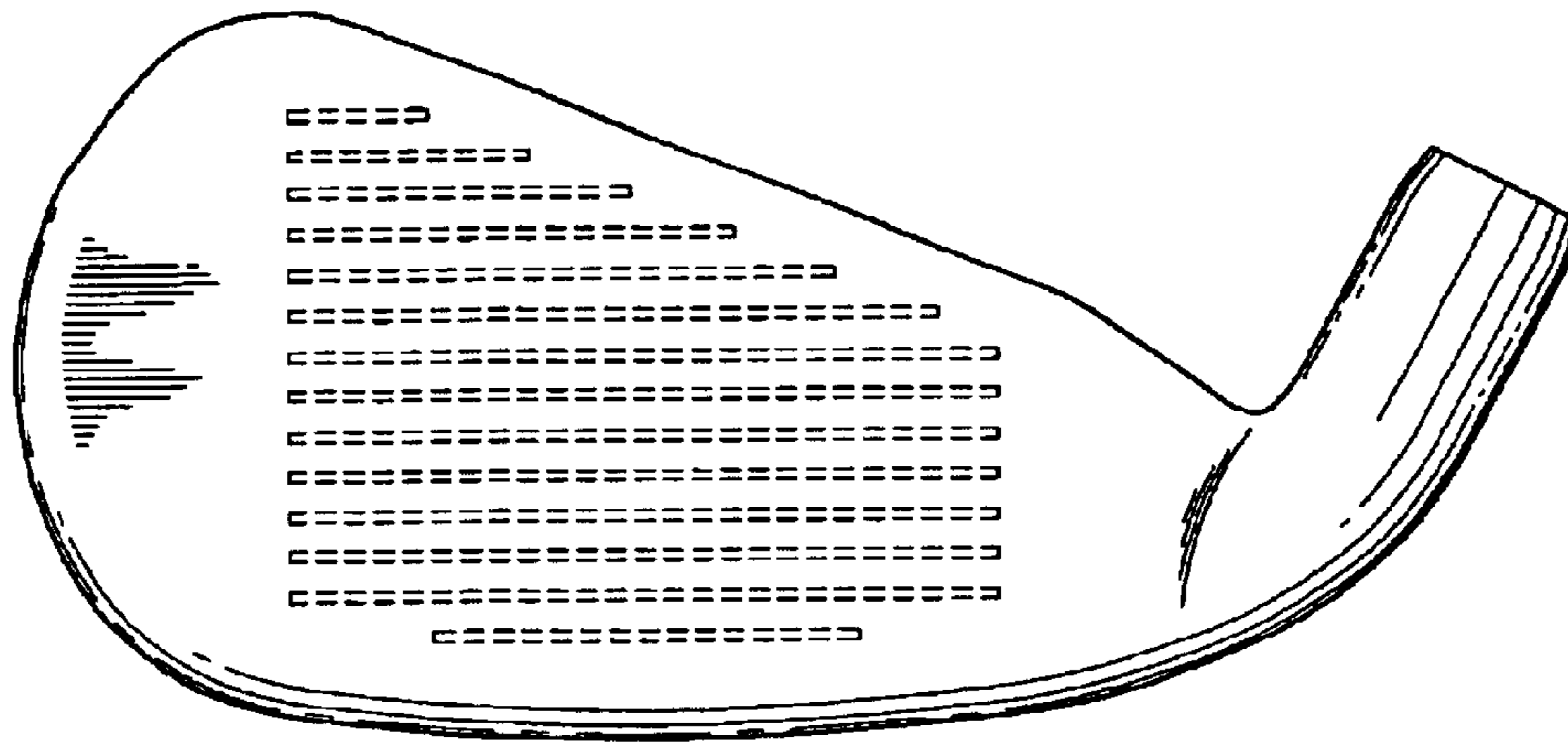


FIG. 1

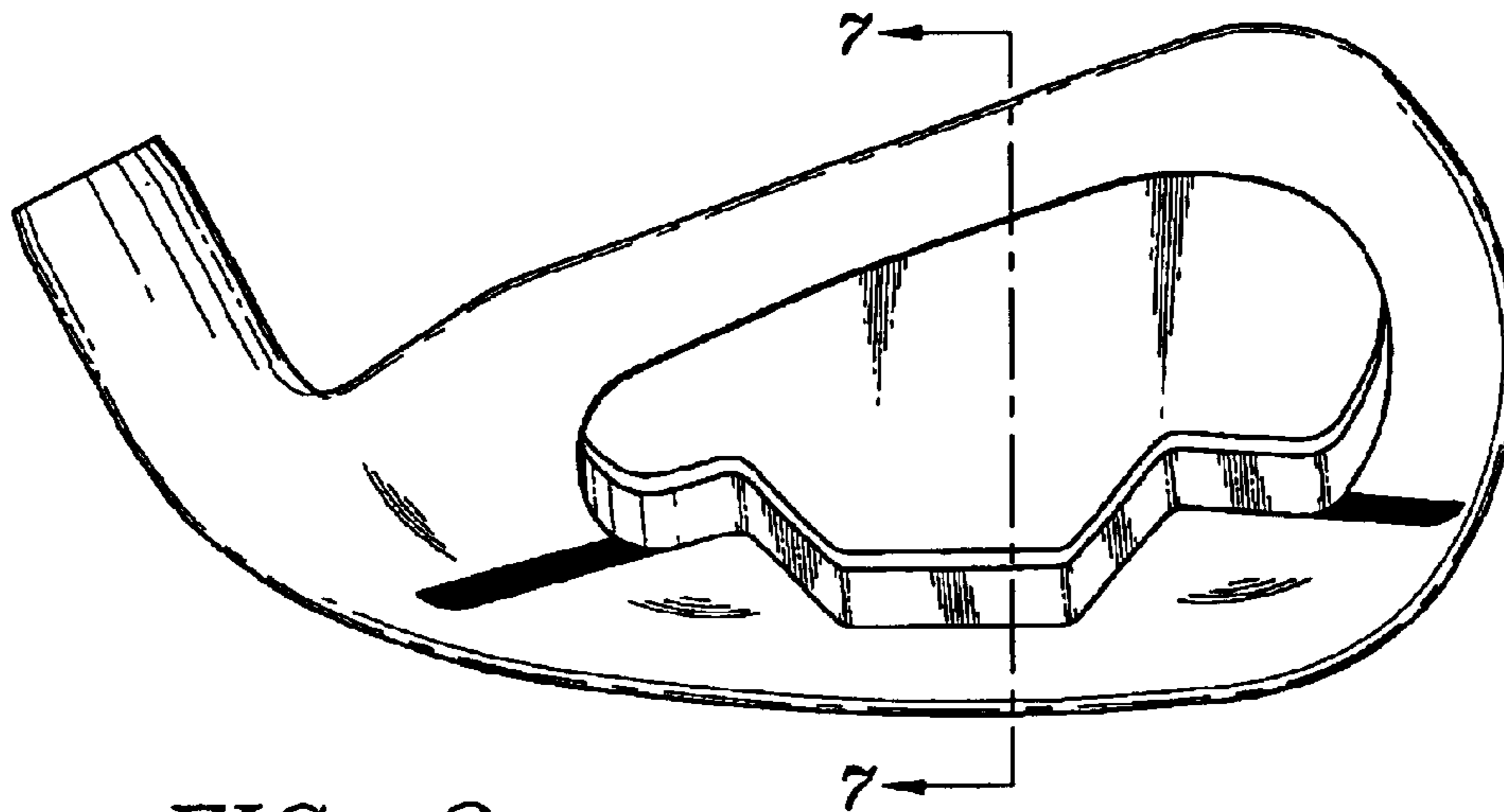


FIG. 2

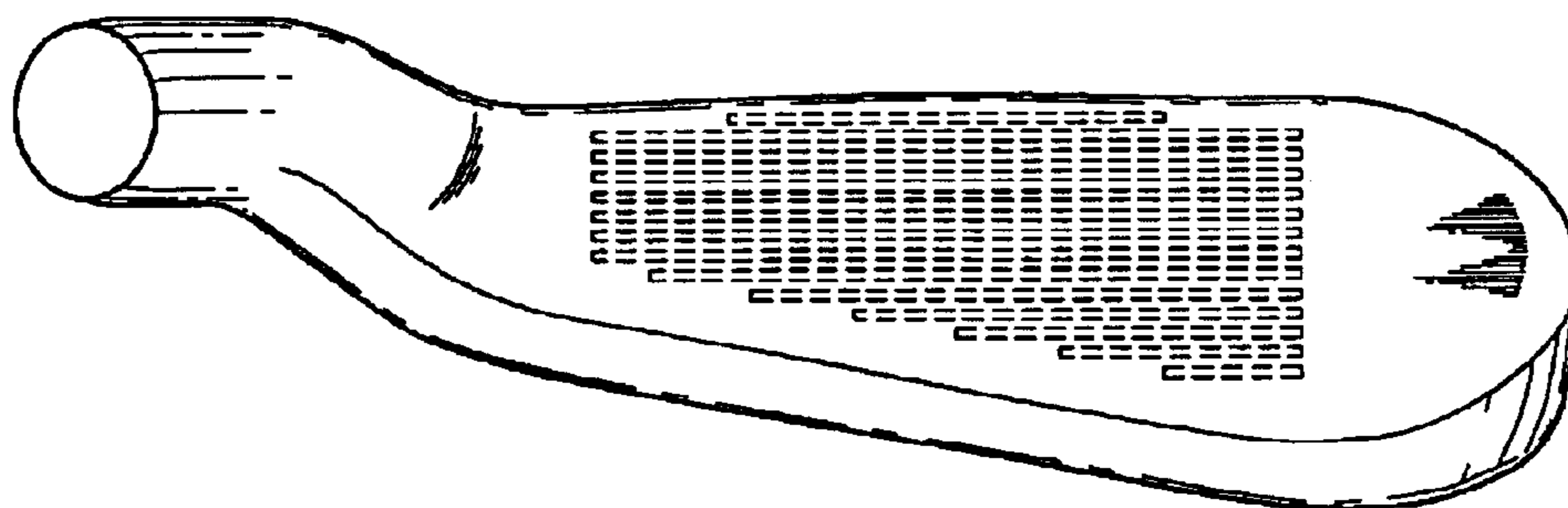


FIG. 3

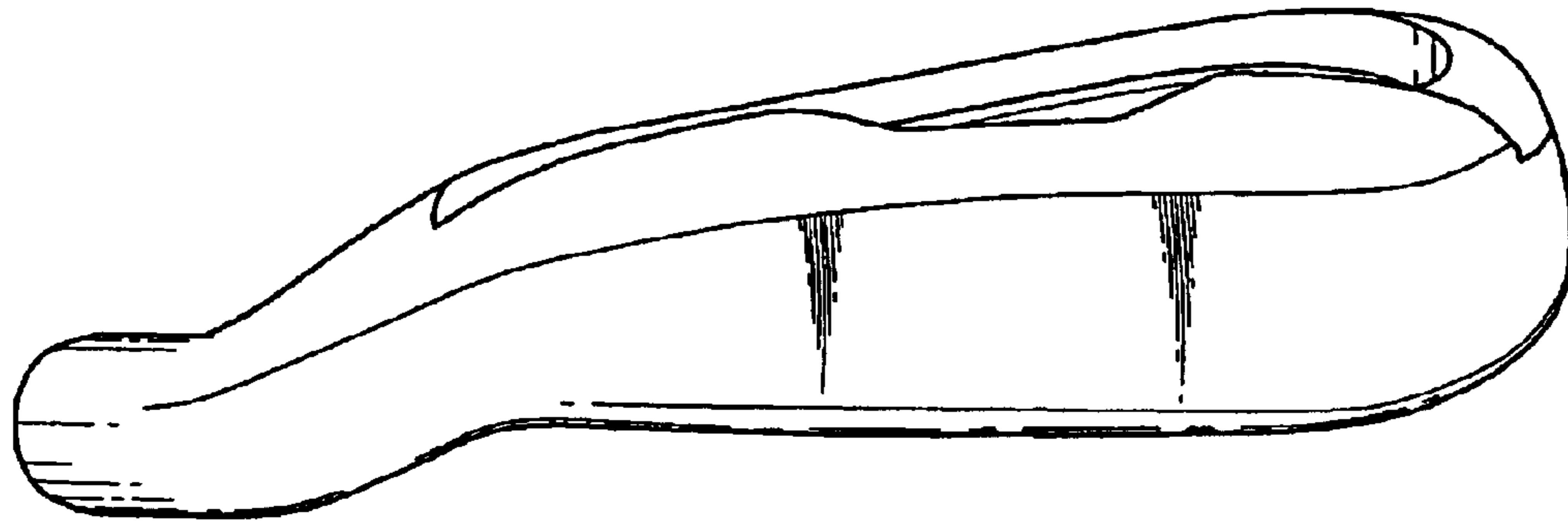


FIG. 4

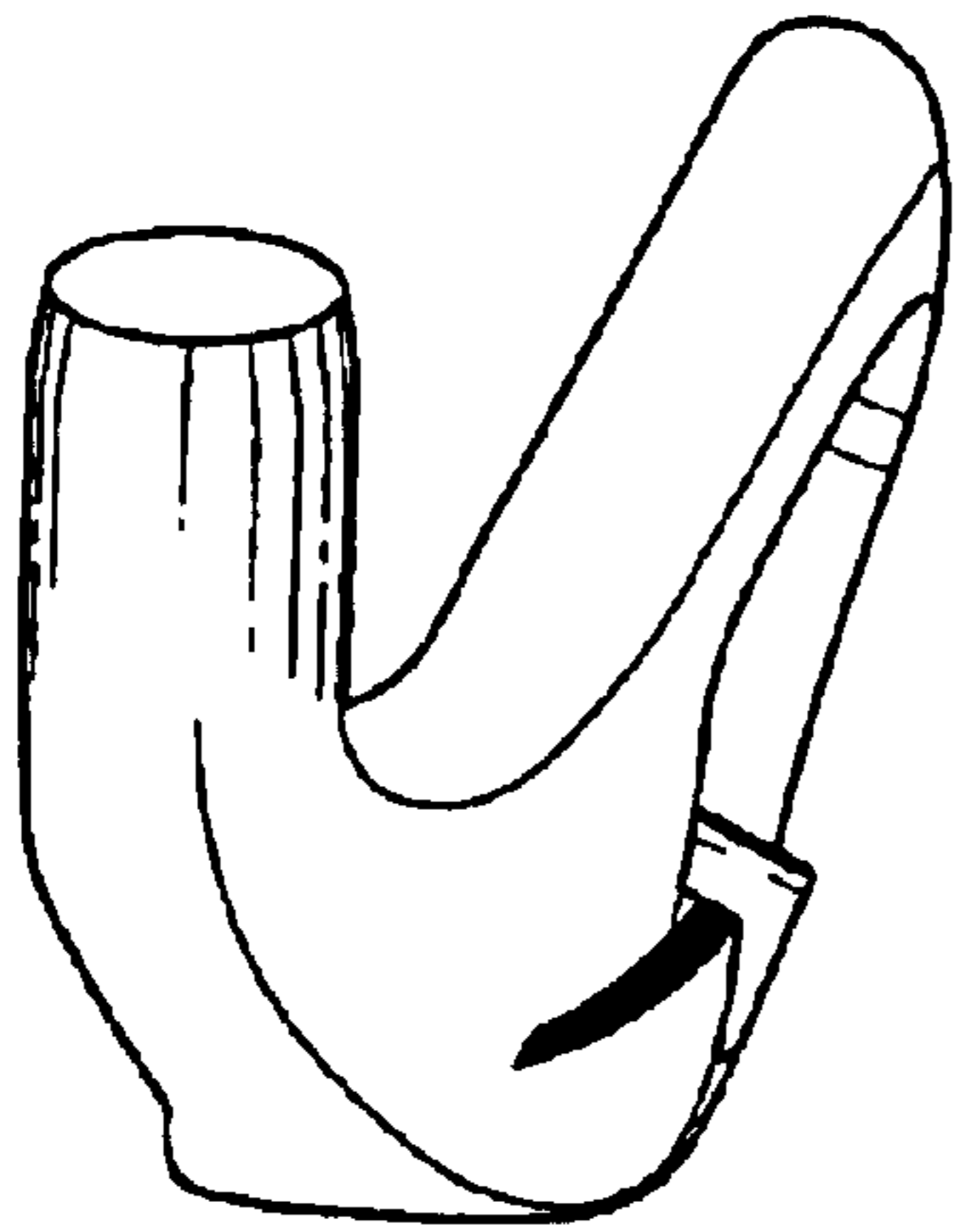


FIG. 5

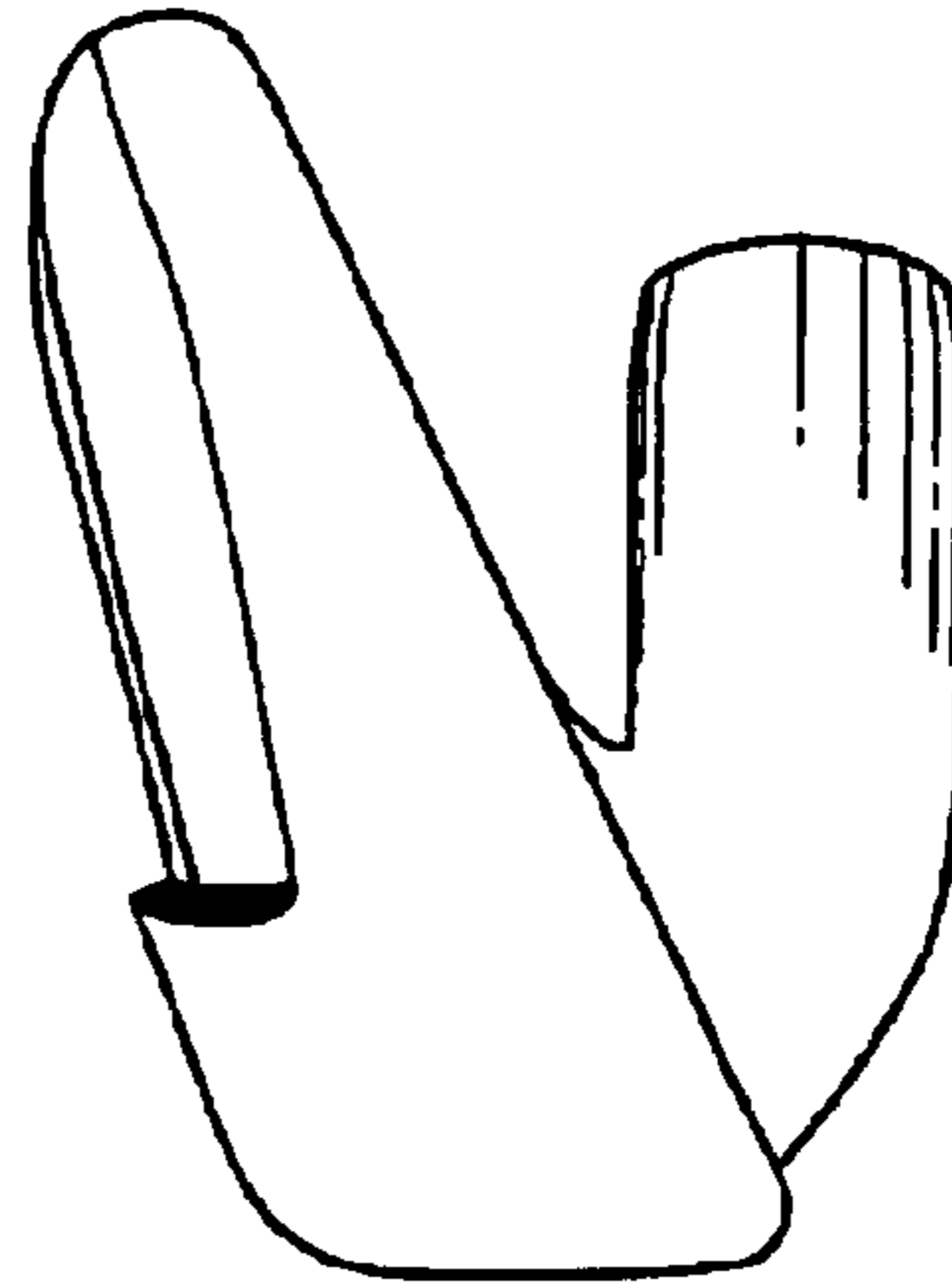


FIG. 6

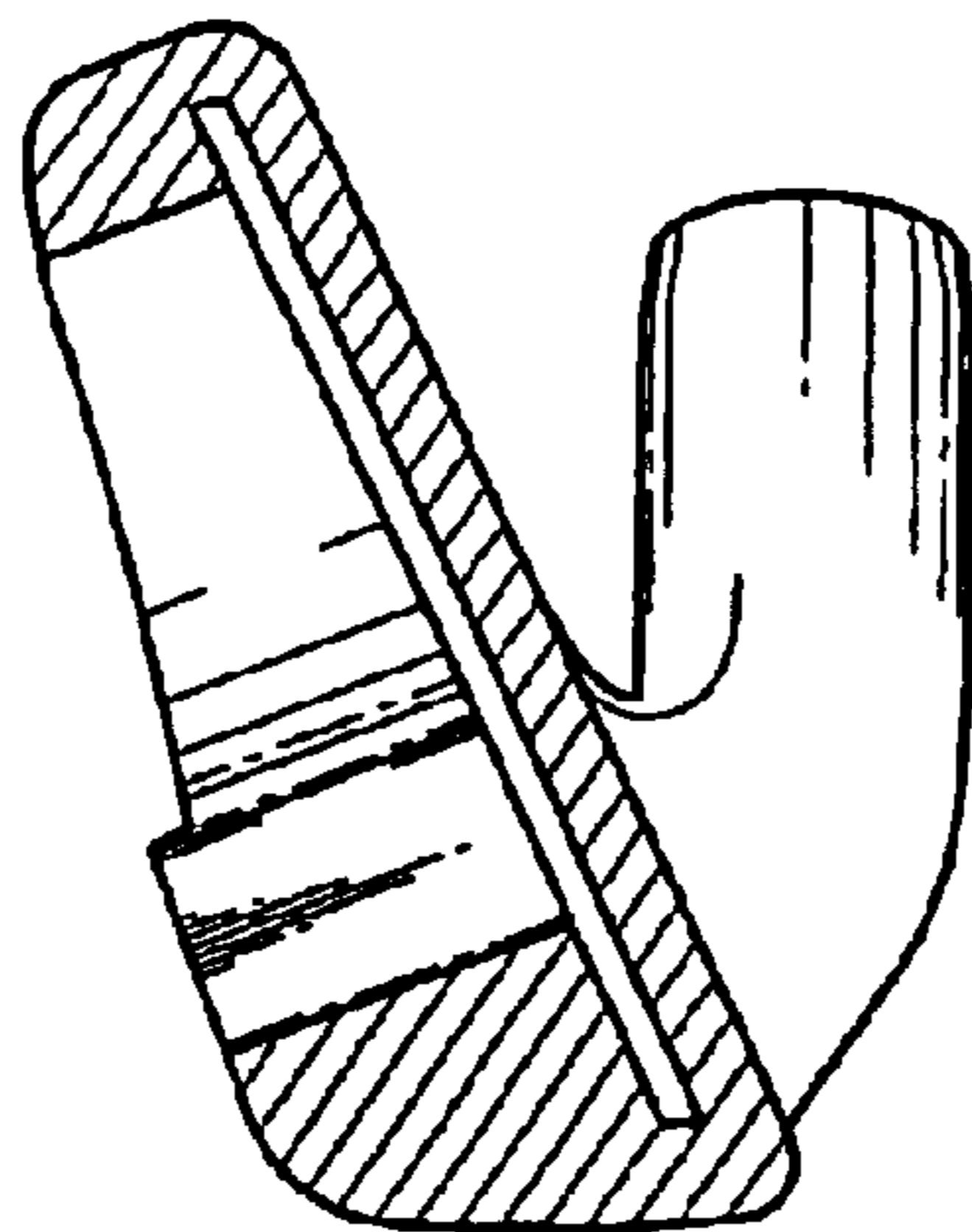


FIG. 7