

US00D496409S1

(12) **United States Design Patent**  
**Tilbor**

(10) **Patent No.:** **US D496,409 S**  
(45) **Date of Patent:** **\*\* Sep. 21, 2004**

(54) **TOY TRUCK**

D454,602 S \* 3/2002 Tse ..... D21/552  
D461,433 S \* 8/2002 James et al. .... D12/98

(75) Inventor: **Nell Tilbor**, New Smyrna Beach, FL  
(US)

\* cited by examiner

(73) Assignee: **Leynian Ltd. Co.**, New Smyrna Beach,  
FL (US)

*Primary Examiner*—Raphael Barkai  
(74) *Attorney, Agent, or Firm*—Keusey, Tutunjian &  
Bitetto, P.C.

(\*\*) Term: **14 Years**

(57) **CLAIM**

(21) Appl. No.: **29/194,494**

The ornamental design for a toy truck, as shown and  
described.

(22) Filed: **Nov. 26, 2003**

**DESCRIPTION**

(51) **LOC (7) Cl.** ..... **21-01**

(52) **U.S. Cl.** ..... **D21/559**

(58) **Field of Search** ..... D21/433-434,  
D21/533, 549, 550, 552, 556, 559, 580;  
D12/87, 93, 96-98; 446/93, 95, 465, 469-471,  
441, 444, 449, 451, 457; 296/183, 185

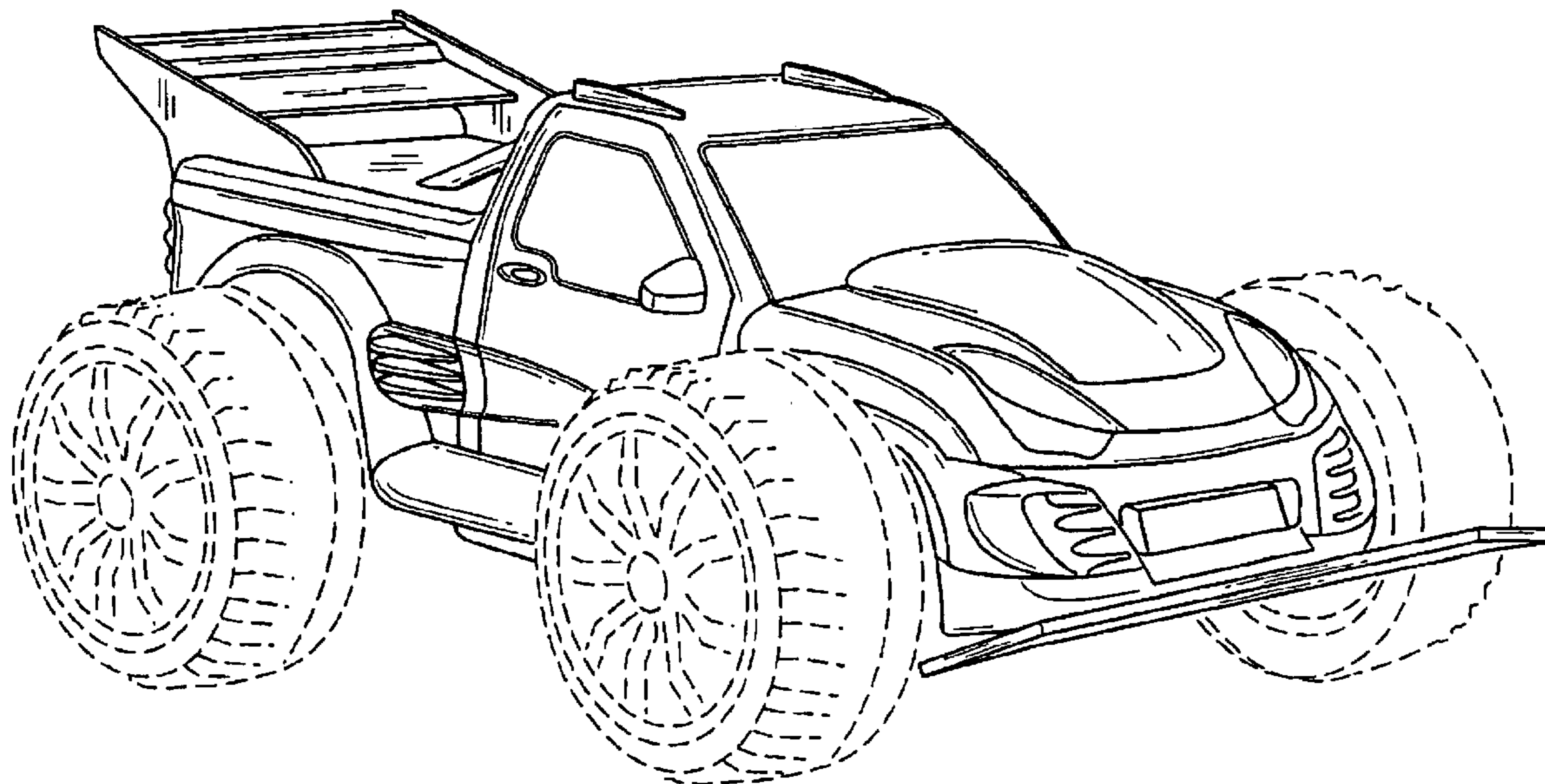
FIG. 1 is a perspective view of the toy truck showing my  
new design;  
FIG. 2 is a front view thereof;  
FIG. 3 is a right side view thereof, the left side being a mirror  
view of the right side;  
FIG. 4 is rear view thereof;  
FIG. 5 is a top view thereof; and,  
FIG. 6 is a bottom view thereof.  
The broken lines shown in FIGS. 1-6 are for illustrative  
purposes only and form no part of the claimed design.

(56) **References Cited**

**U.S. PATENT DOCUMENTS**

D277,494 S \* 2/1985 Lerch ..... D21/559  
D281,000 S \* 10/1985 Kuna et al. .... D21/559  
4,889,516 A \* 12/1989 Auer et al. .... 446/470

**1 Claim, 6 Drawing Sheets**



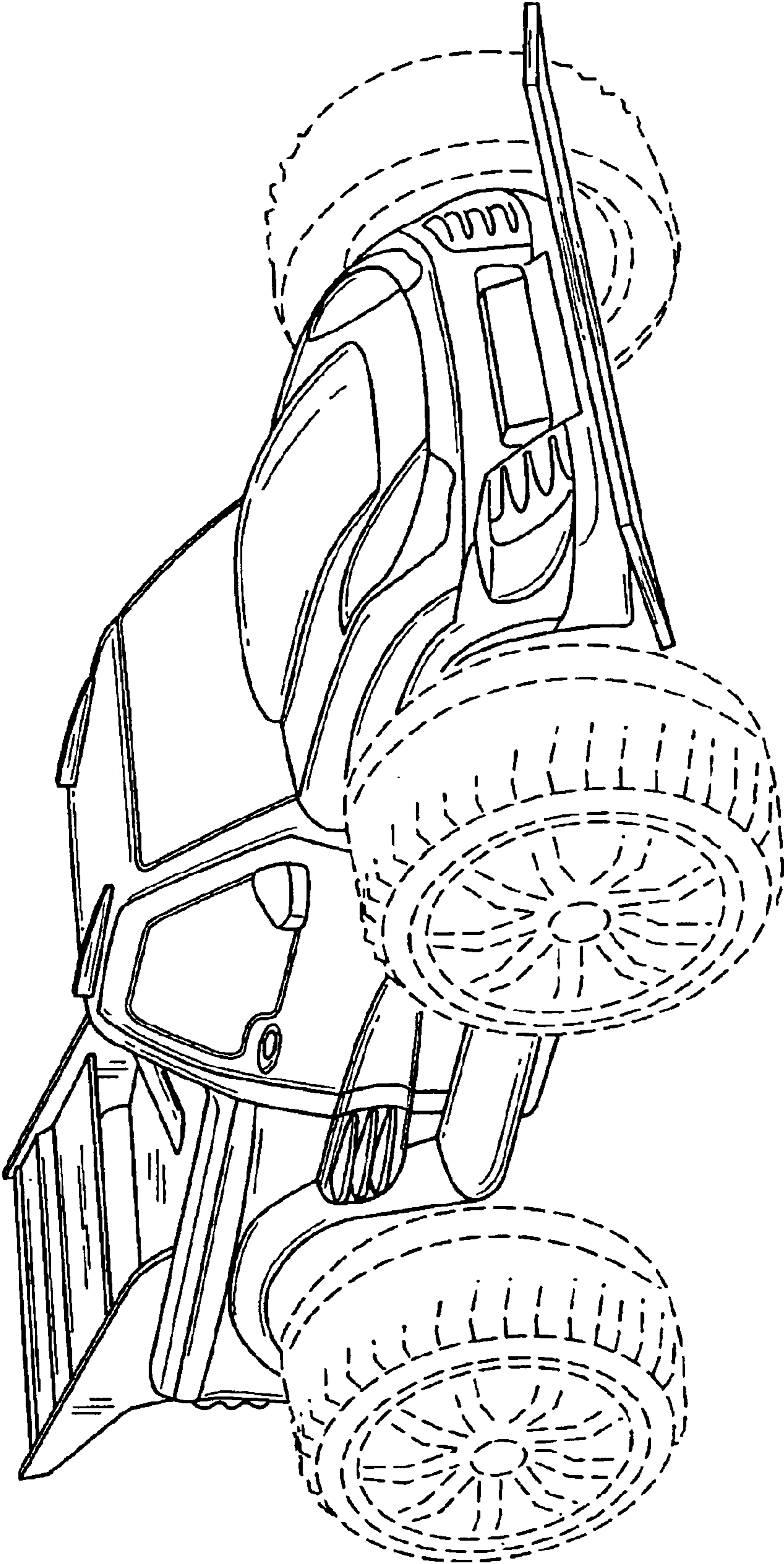


FIG. 1

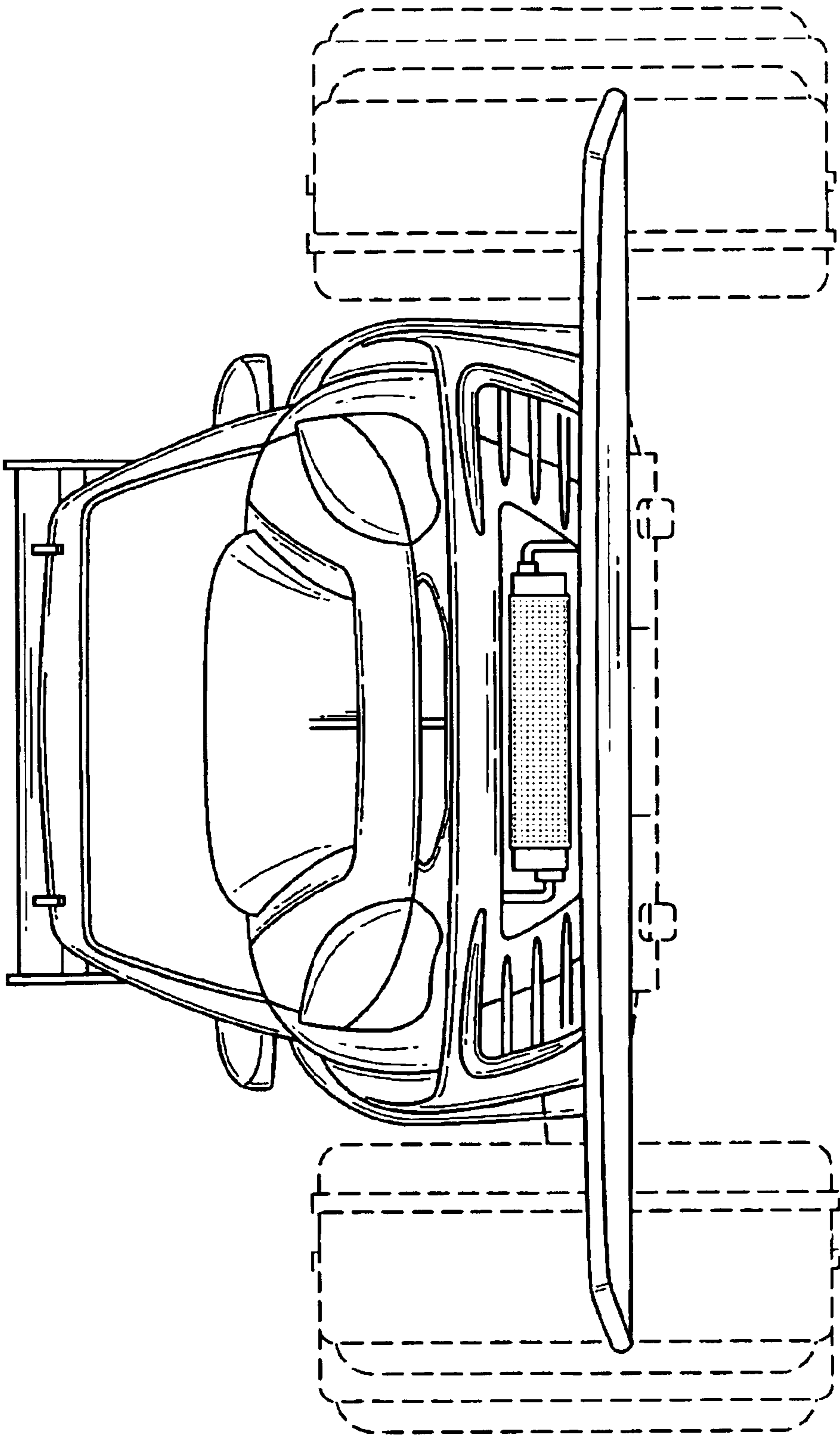


FIG. 2

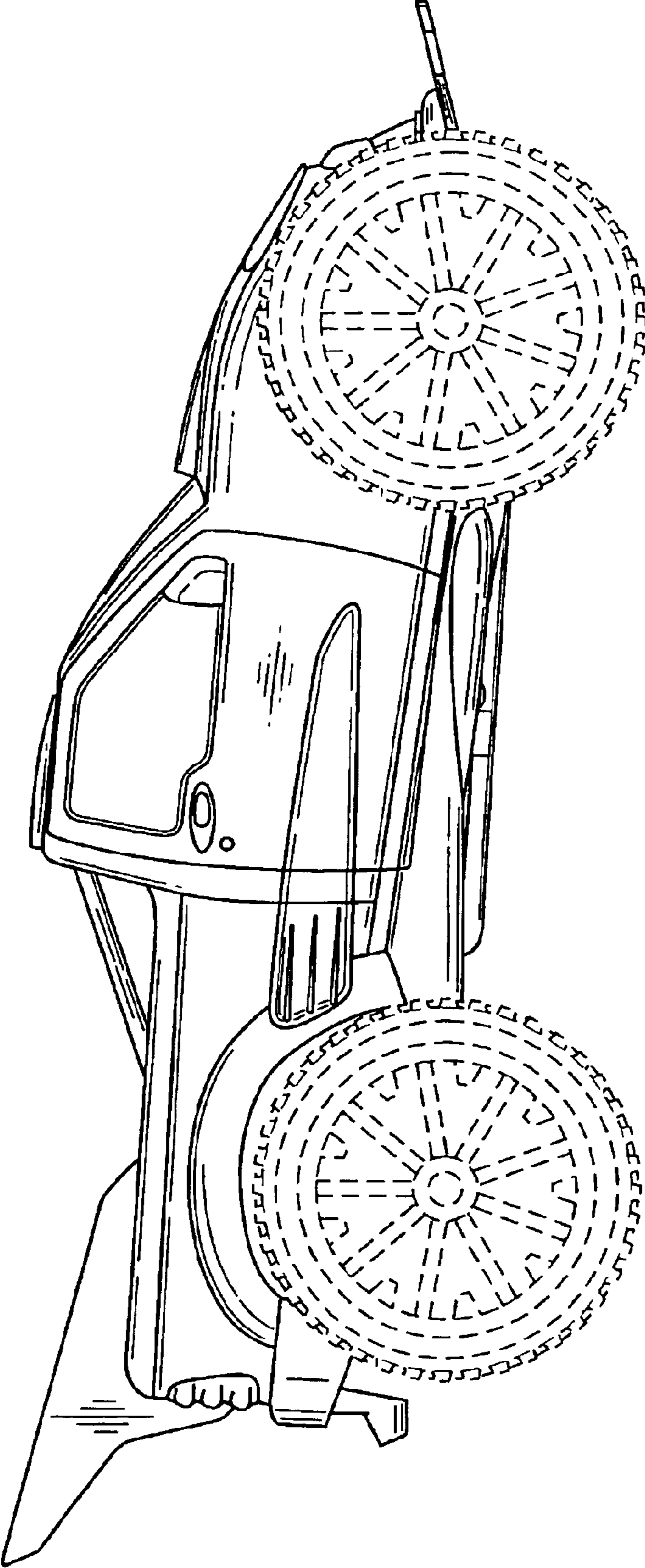


FIG. 3

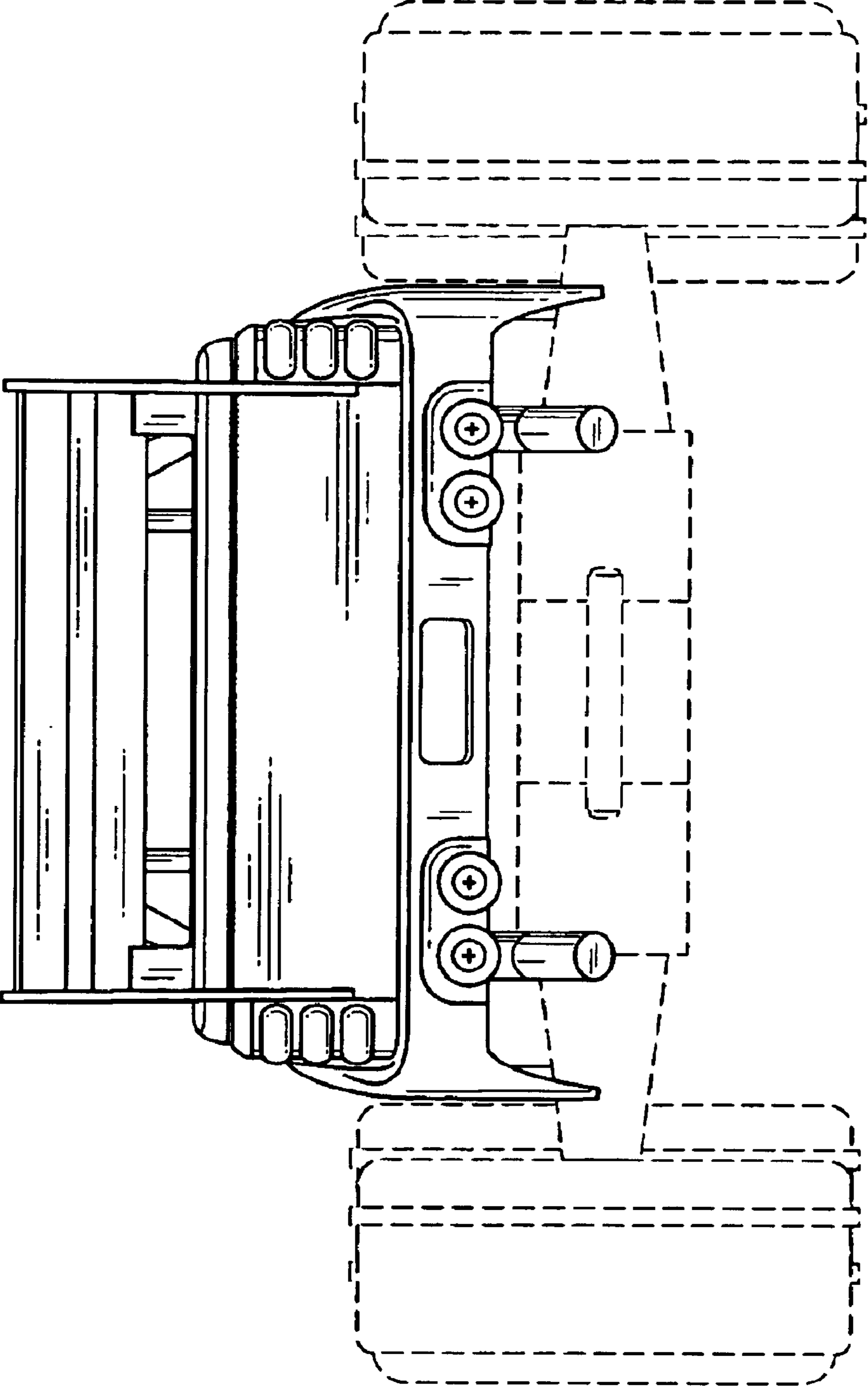


FIG. 4

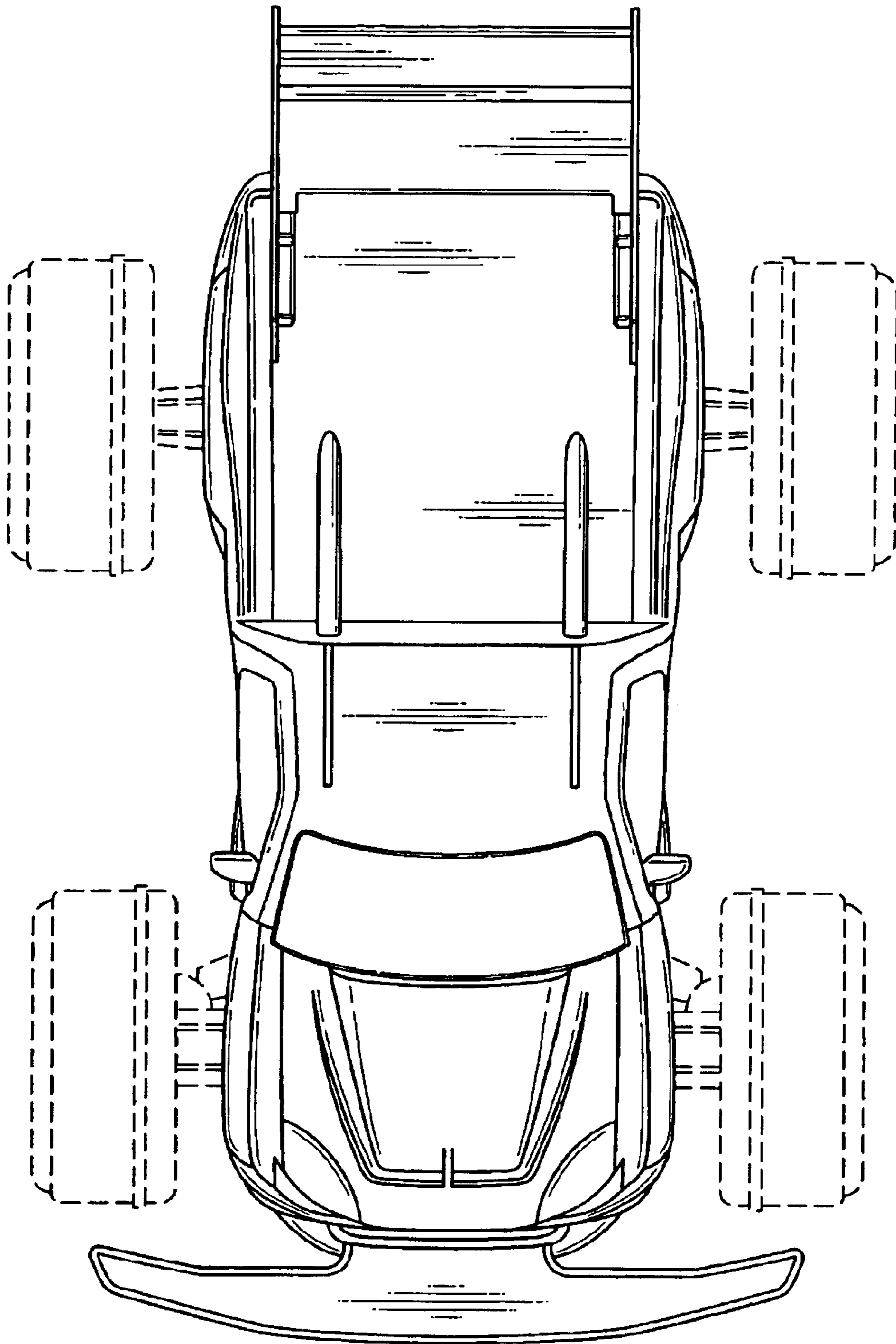


FIG. 5

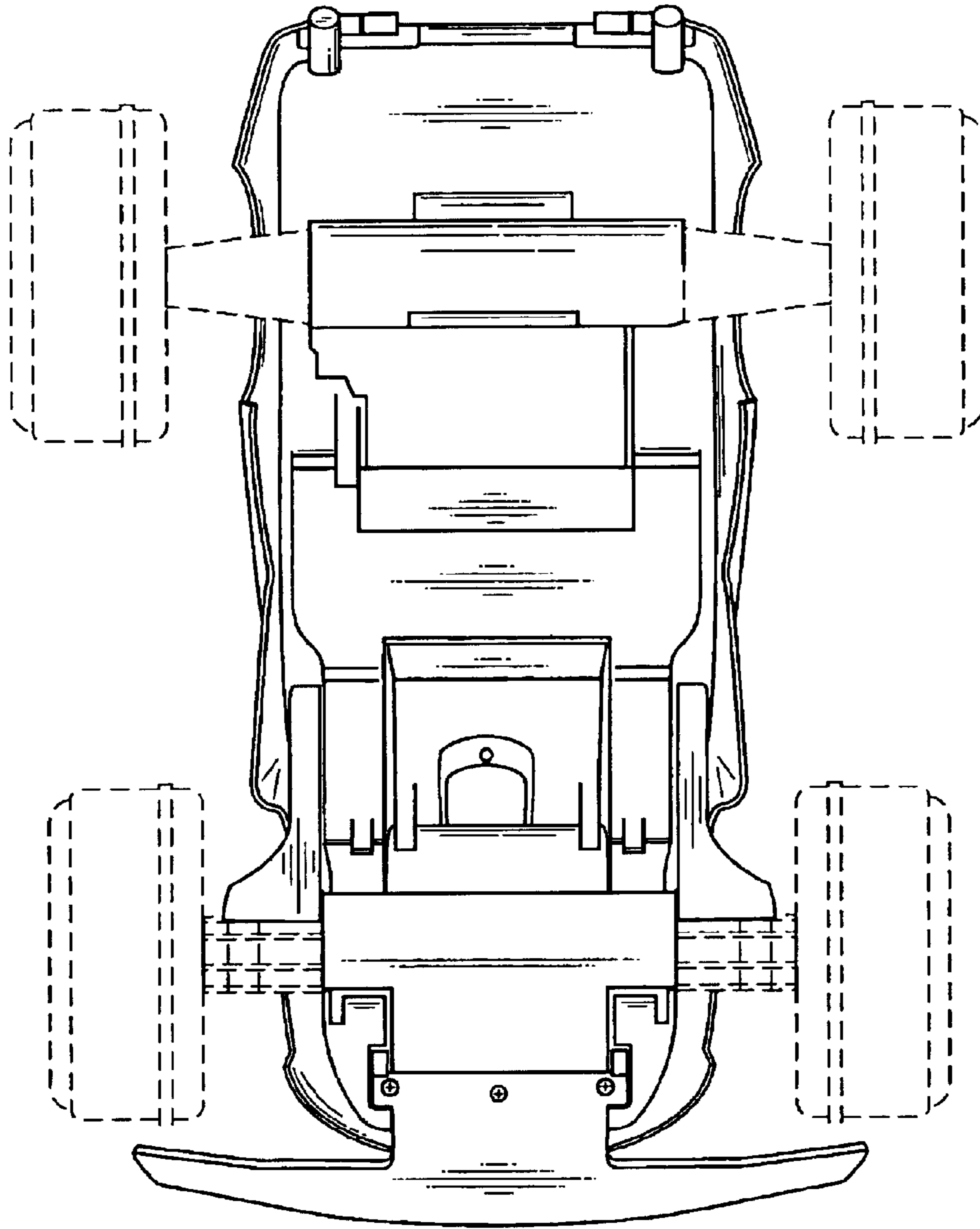


FIG. 6