

US00D496406S1

(12) **United States Design Patent**
Carter et al.

(10) **Patent No.:** **US D496,406 S**
(45) **Date of Patent:** **** Sep. 21, 2004**

(54) **SIGN**

(76) **Inventors:** **Wallace T. Carter**, 1918 Verrazzano Dr., Wilmington, NC (US) 28405; **Brad Forrest**, 511 Dundalk Way, Cary, NC (US) 27511; **Tom Hines**, 330 Gooseneck Rd., West, Rocky Point, NC (US) 28457; **Mac McRorie**, 800 Richmond St., Raleigh, NC (US) 27609

(**) **Term:** **14 Years**

(21) **Appl. No.:** **29/185,666**

(22) **Filed:** **Jul. 2, 2003**

(51) **LOC (7) Cl.** **20-03**

(52) **U.S. Cl.** **D20/38**

(58) **Field of Search** D20/10, 29-39, D20/99; D25/60-61; 40/428, 541, 584-585, 606.01, 607.01, 624

(56) **References Cited**

U.S. PATENT DOCUMENTS

| | | | | | |
|-----------|---|--------|----------------|-------|--------|
| D4,345 S | * | 9/1870 | Whittemore | | D25/55 |
| D6,746 S | * | 7/1873 | Burnham et al. | | D20/42 |
| 597,688 A | * | 1/1898 | Percy | | |
| D45,838 S | * | 5/1914 | Hopkins et al. | | D20/39 |
| D62,994 S | * | 9/1923 | Kaucher | | D20/10 |

| | | | | | |
|-------------|---|---------|--------------|-------|--------|
| D72,203 S | * | 3/1927 | Chevalier | | D20/10 |
| D110,454 S | * | 7/1938 | Baum | | D25/60 |
| D186,380 S | * | 10/1959 | Miller | | D6/303 |
| 3,778,945 A | * | 12/1973 | Medow | | 52/217 |
| D354,409 S | * | 1/1995 | Tatum et al. | | D6/447 |
| D355,677 S | * | 2/1995 | Taylor | | D20/10 |
| D361,093 S | * | 8/1995 | Pitts | | D20/17 |
| D375,170 S | * | 10/1996 | Rose et al. | | D25/59 |
| D434,451 S | * | 11/2000 | Grimshaw | | D20/10 |
| D465,811 S | * | 11/2002 | Schaub | | D20/10 |
| D466,943 S | * | 12/2002 | Schaub | | D20/10 |

* cited by examiner

Primary Examiner—Robert M. Spear

(74) *Attorney, Agent, or Firm*—Diller, Ramik & Wight

(57) **CLAIM**

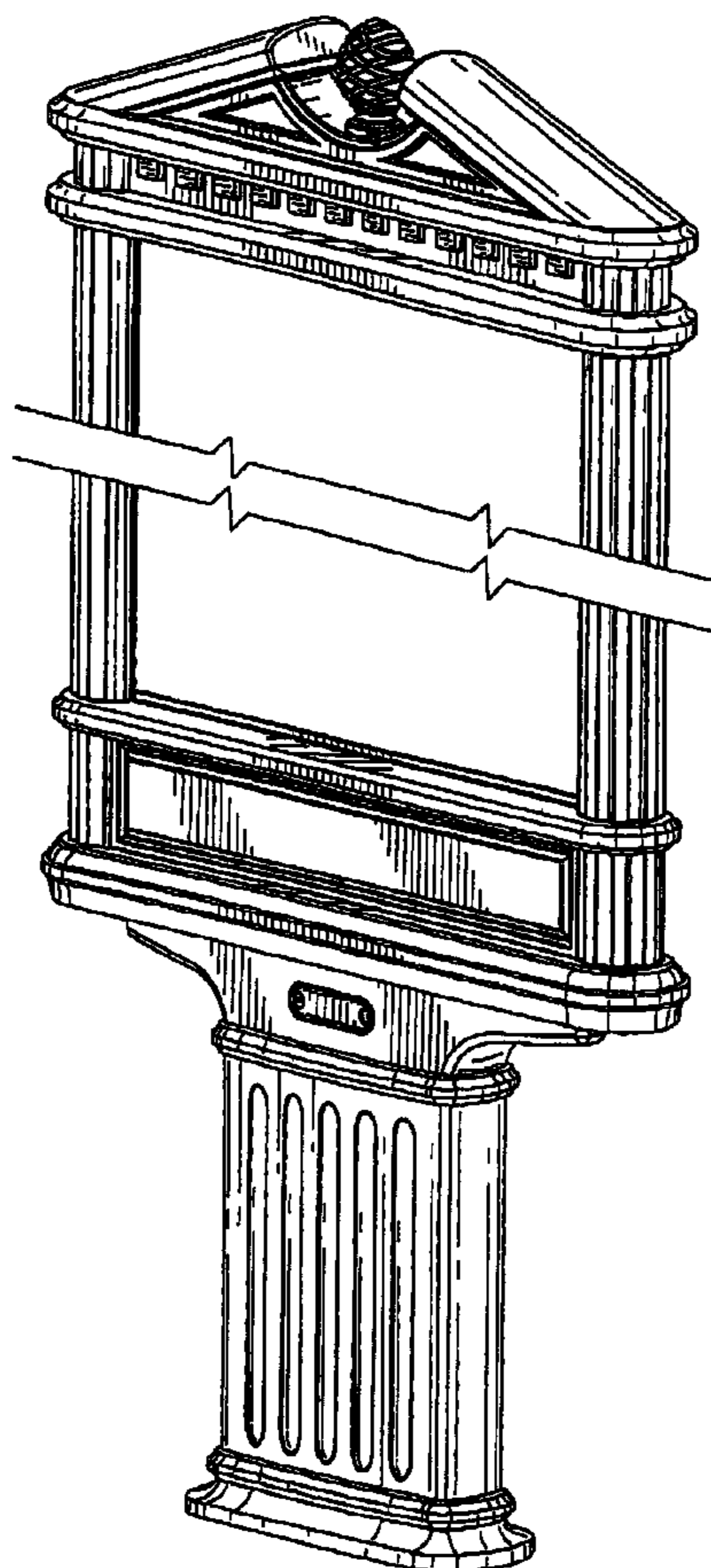
The ornamental design for a sign, as shown and described.

DESCRIPTION

FIG. 1 is a perspective view showing our new design, FIG. 2 is both a left and a right side elevational view, FIG. 3 is both a front and a rear elevational view, FIG. 4 is a top plan view; and, FIG. 5 is a bottom plan view.

The vertical columnar elements are shown broken away to indicate indeterminate length.

1 Claim, 3 Drawing Sheets



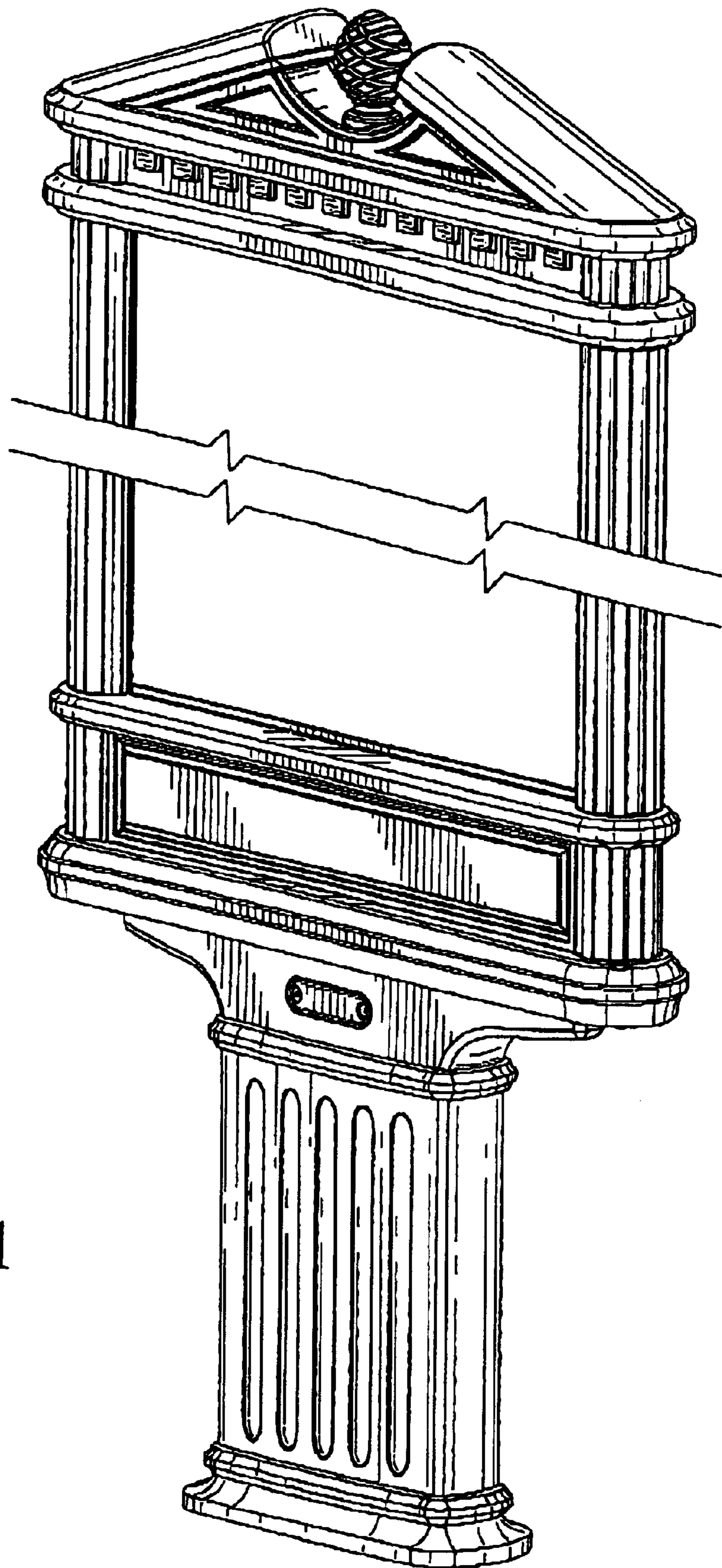


FIG. 1

FIG. 2

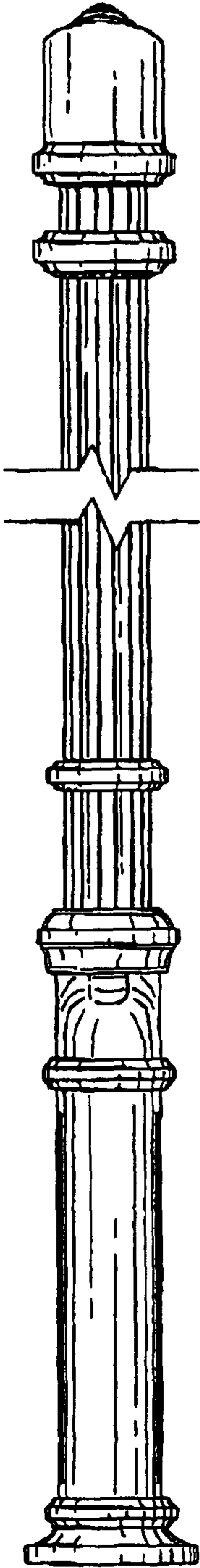
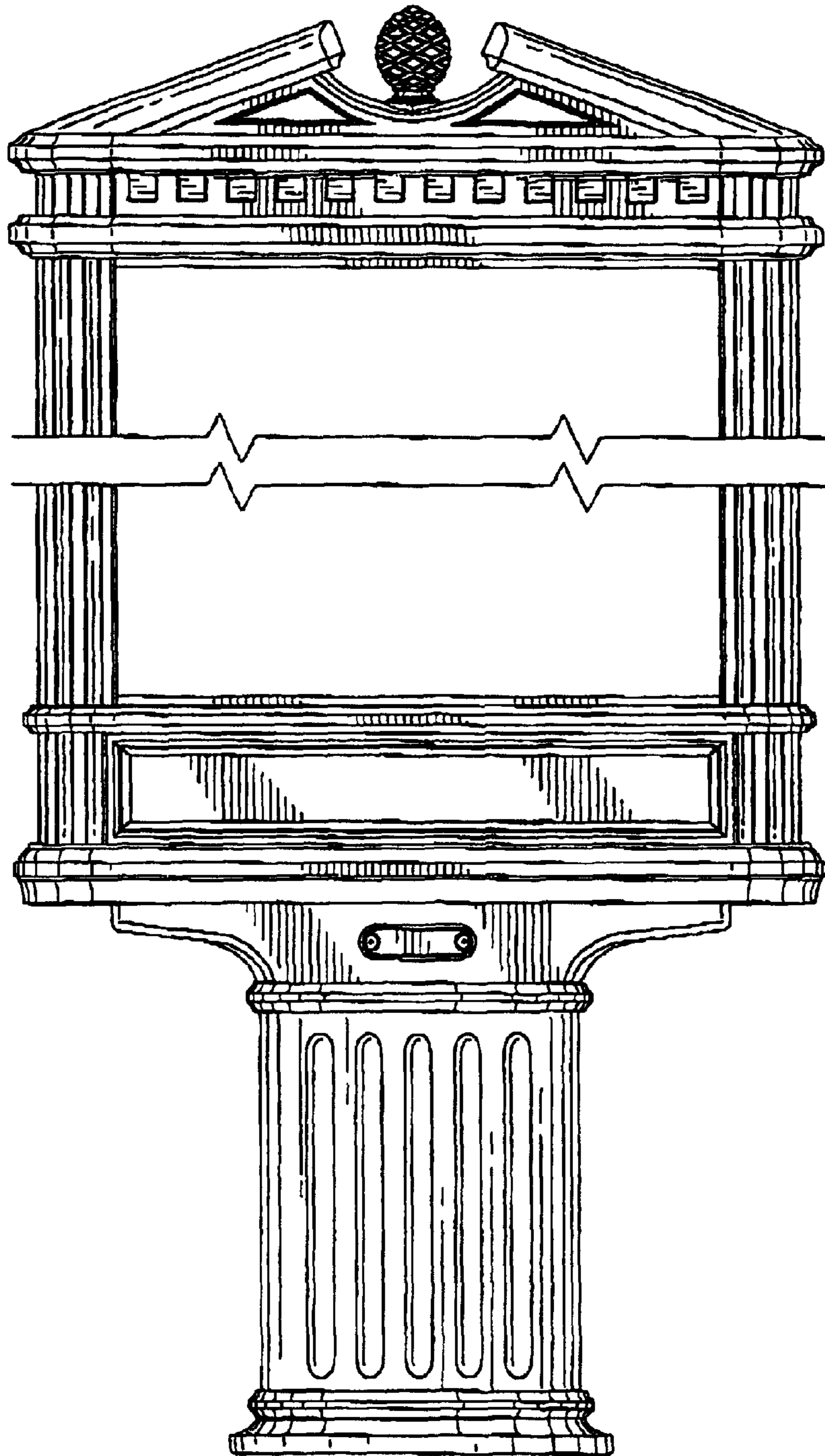


FIG. 3



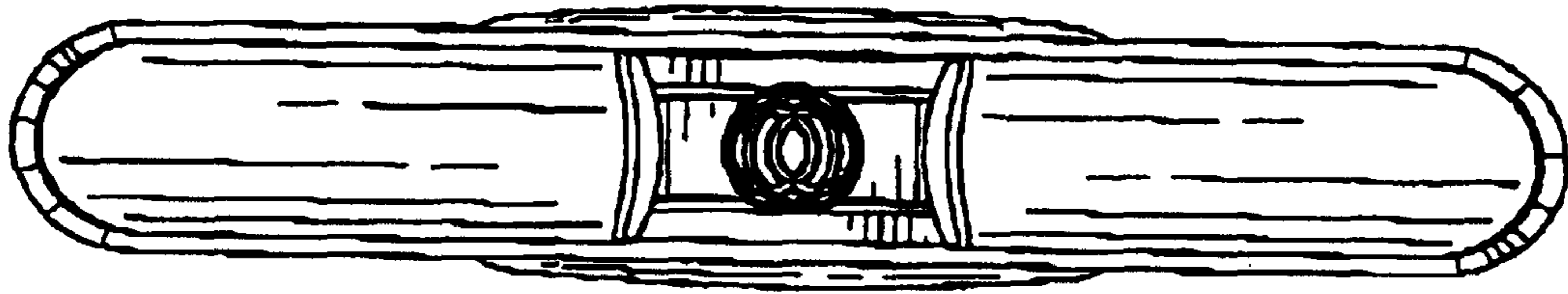


FIG. 4

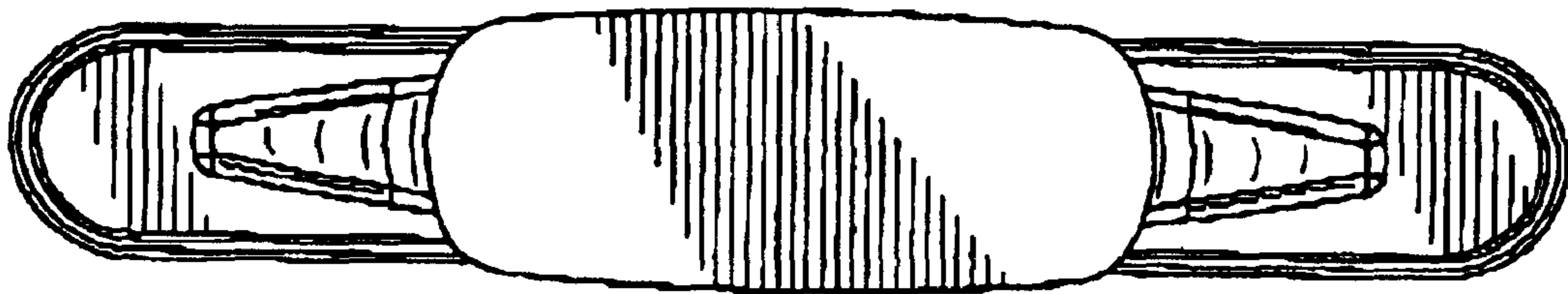


FIG. 5