



US00D496403S1

(12) **United States Design Patent** (10) **Patent No.:** **US D496,403 S**
Takseraas (45) **Date of Patent:** **** Sep. 21, 2004**

(54) **PAD HOLDER**

D454,592 S * 3/2002 Carlson et al. D19/92

(75) Inventor: **Erik Takseraas**, Kings Park, NY (US)

* cited by examiner

(73) Assignee: **Coastal Plastics Corporation**,
Hauppauge, NY (US)

Primary Examiner—Martie K. Holtje
(74) *Attorney, Agent, or Firm*—Collard & Roe, P.C.

(**) Term: **14 Years**

(57) **CLAIM**

The ornamental design for a pad holder, as shown and described.

(21) Appl. No.: **29/185,042**

(22) Filed: **Jun. 20, 2003**

DESCRIPTION

(51) **LOC (7) Cl.** **19-02**

FIG. 1 shows a bottom view of a first embodiment of my design for a pad holder;

(52) **U.S. Cl.** **D19/86**; D19/92

FIG. 2 shows a top view thereof;

(58) **Field of Search** D6/575, 518; D19/65,

FIG. 3 shows a rear view thereof;

D19/75, 77, 78, 81–85, 86, 91, 92, 95,

FIG. 4 shows a front view thereof;

99, 100; 211/10, 11, 126.13, 13.1; 206/214,

FIG. 5 shows a right side view thereof with the left side view being identical;

215, 336, 338, 555, 818; 248/220.22; 221/33,

FIG. 6 shows a perspective view thereof;

35, 36, 45–52, 61, 63, 281–282

FIG. 7 shows a bottom view of an alternate embodiment of my design for a pad holder;

(56) **References Cited**

U.S. PATENT DOCUMENTS

4,215,840 A * 8/1980 Babberl 248/220.22
D272,917 S * 3/1984 Micucci D19/78
D294,836 S * 3/1988 Micucci D19/78
D303,993 S * 10/1989 Szablak et al. D19/78
D310,105 S * 8/1990 Murphy et al. D19/75
D362,688 S * 9/1995 Wolff D19/92
D393,005 S * 3/1998 Devito D19/92
D452,276 S * 12/2001 Hurwitz D19/86

FIG. 8 shows a top view of the embodiment of FIG. 7;

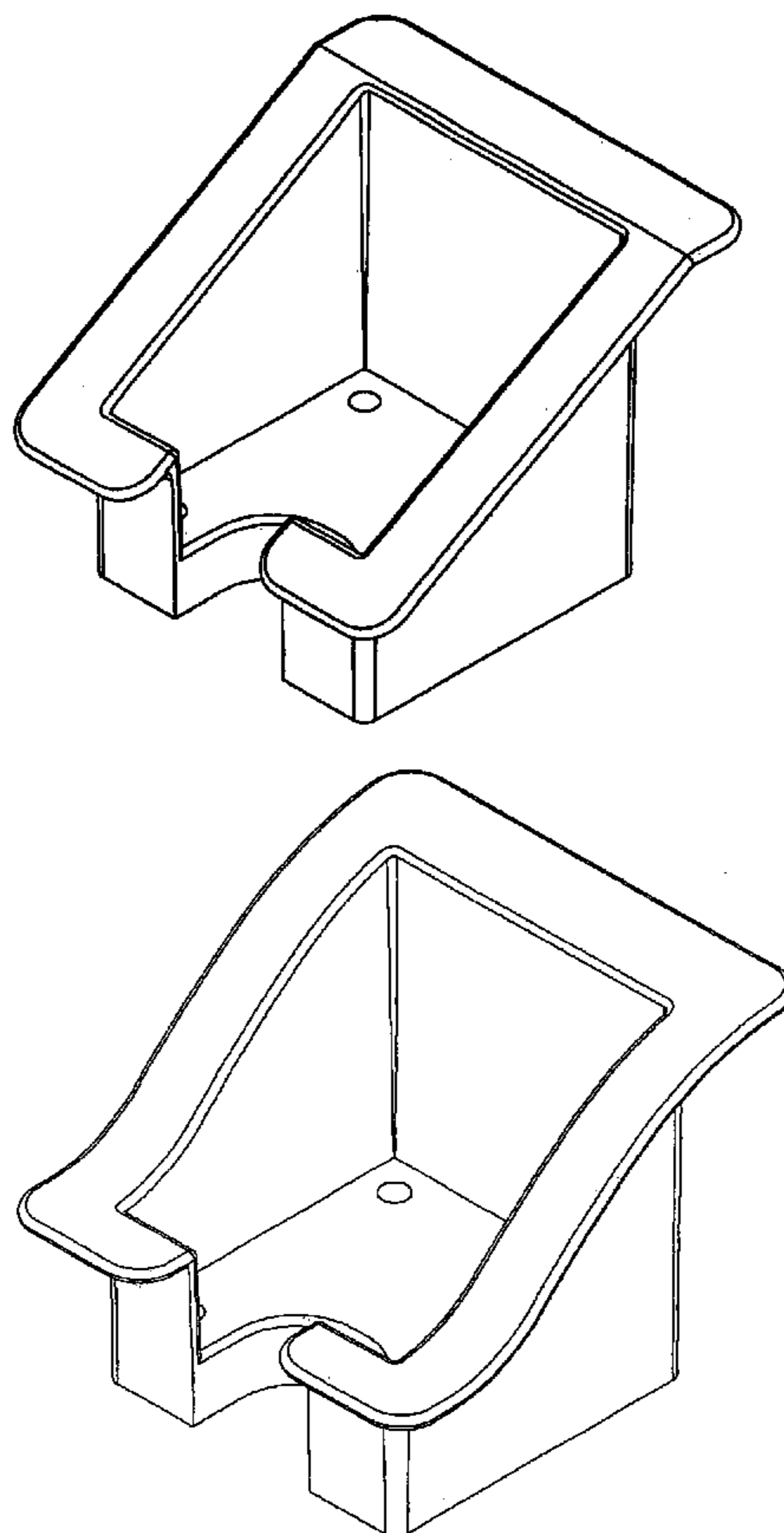
FIG. 9 shows a rear view of the embodiment of FIG. 7;

FIG. 10 shows a front view of the embodiment of FIG. 7;

FIG. 11 shows a right side view of the embodiment of FIG. 7 with the left side view being identical; and,

FIG. 12 shows a perspective view of the embodiment of FIG. 7.

1 Claim, 12 Drawing Sheets



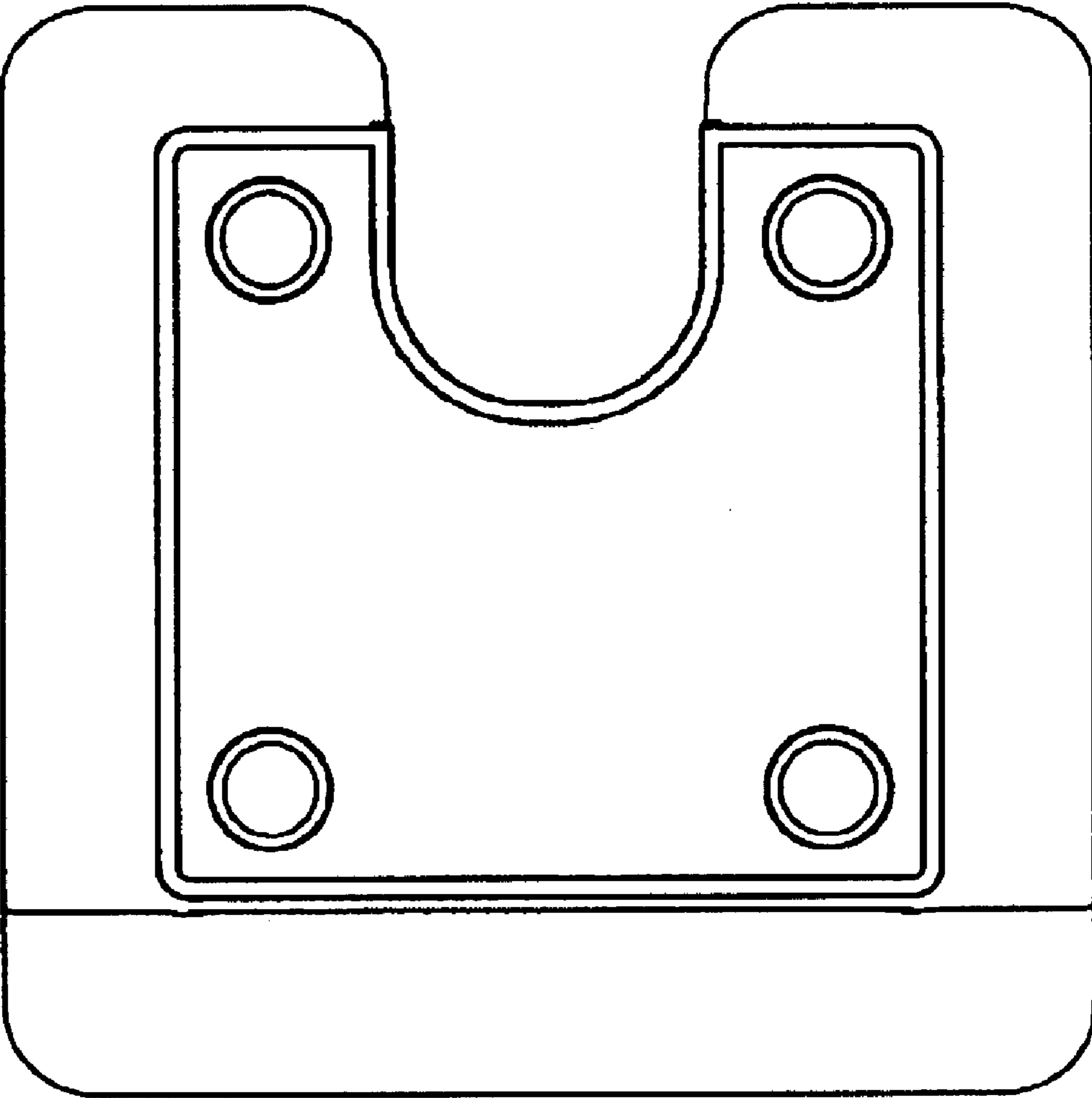


Fig.1

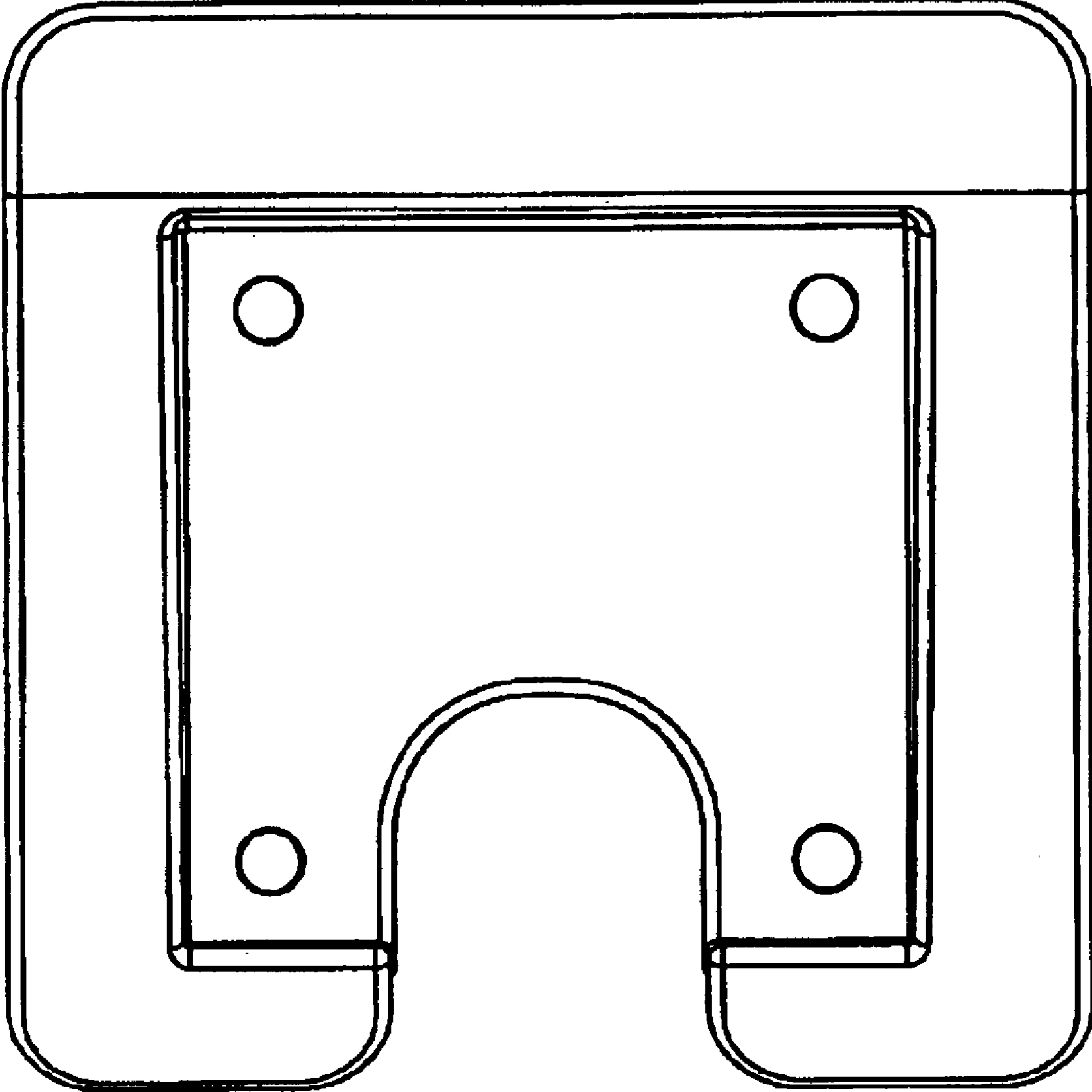


Fig.2

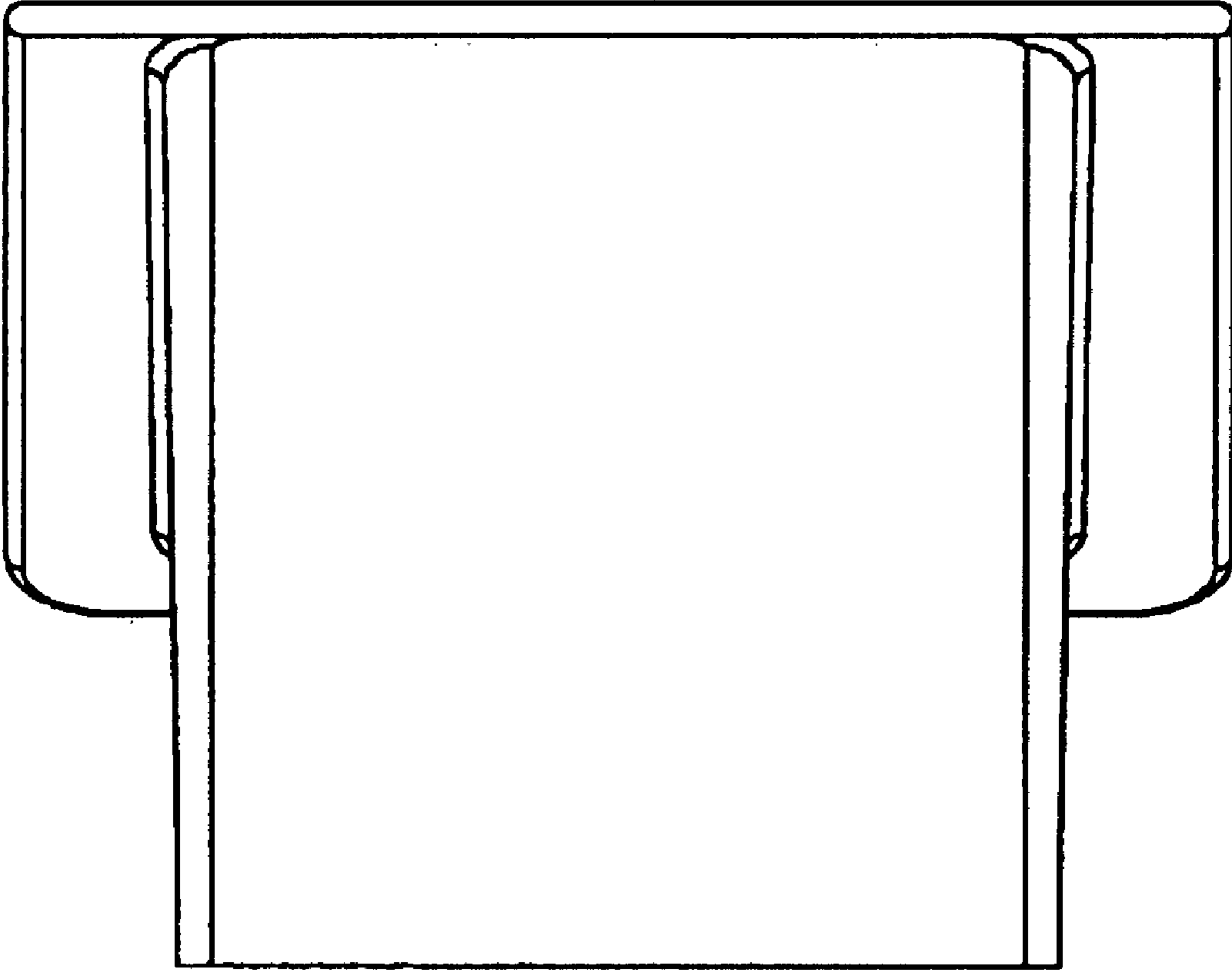


Fig.3

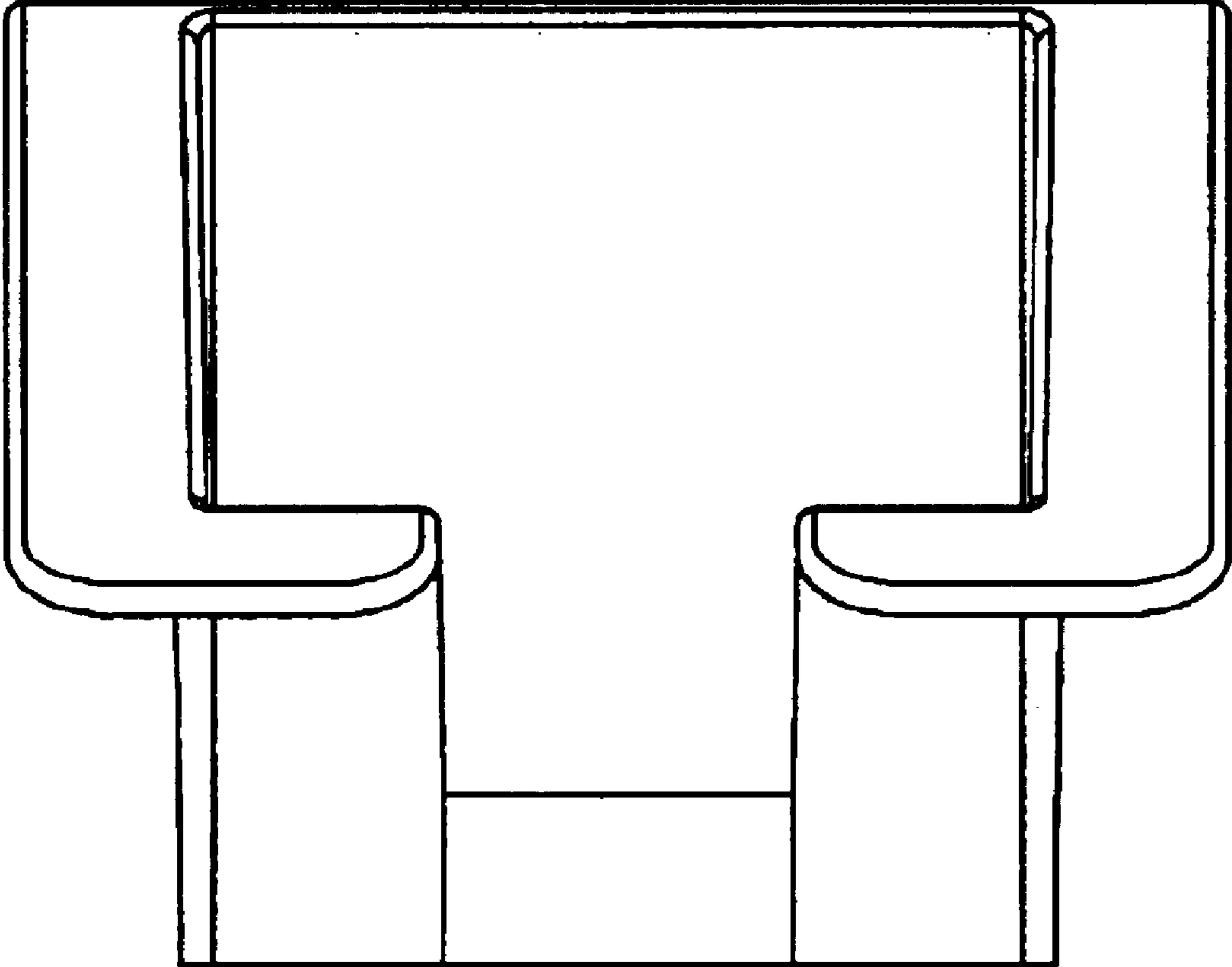


Fig.4

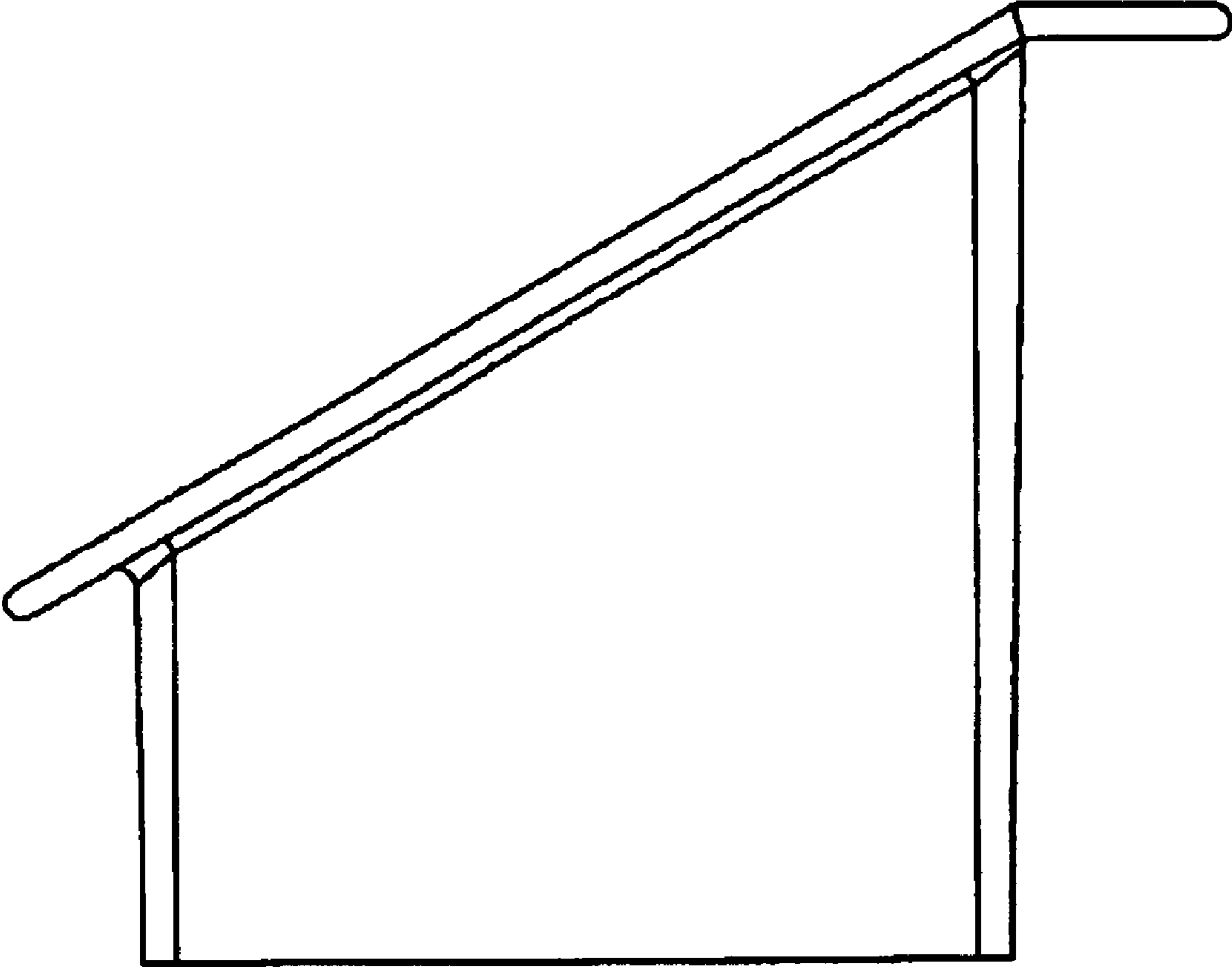


Fig.5

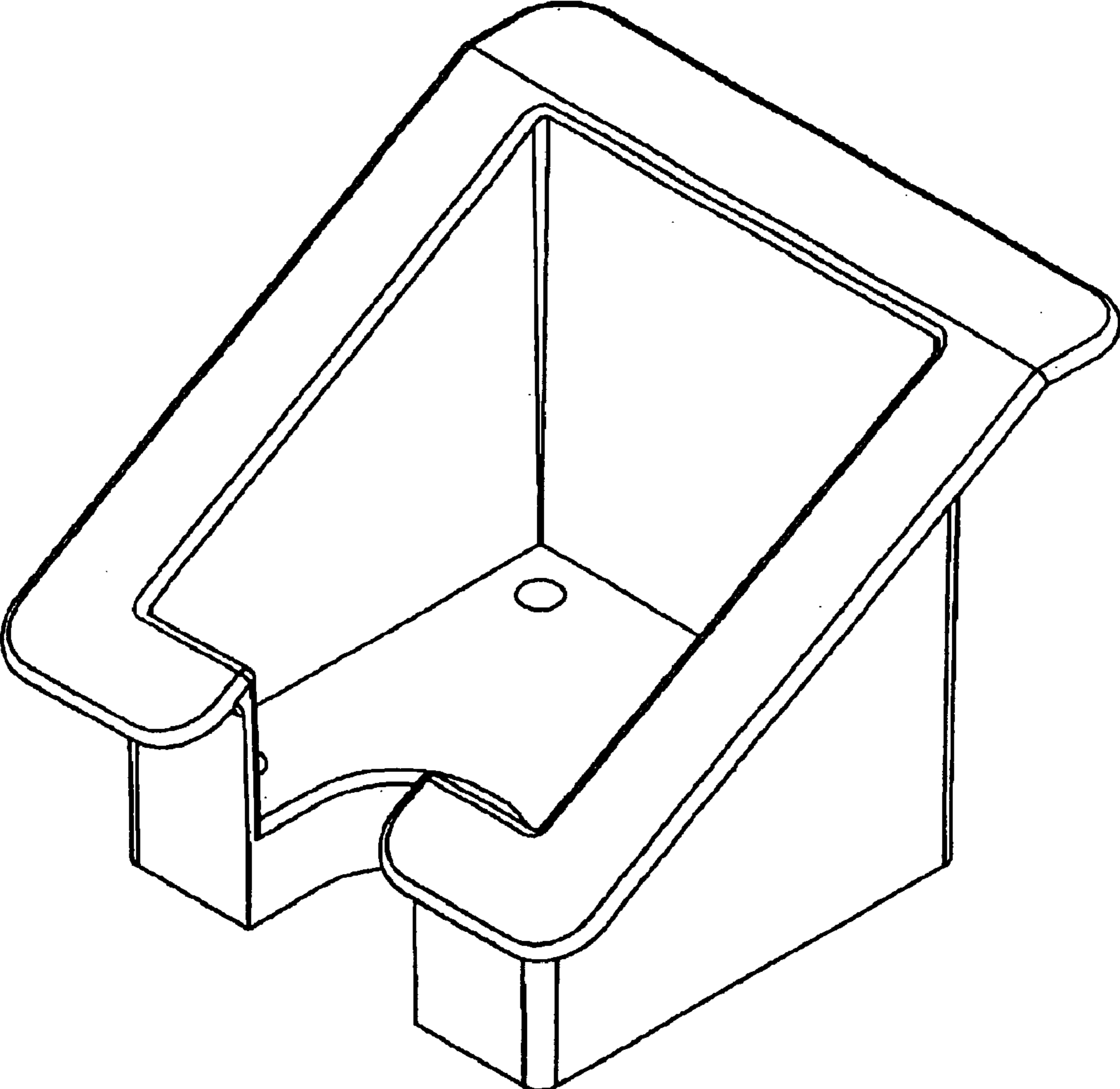


Fig.6

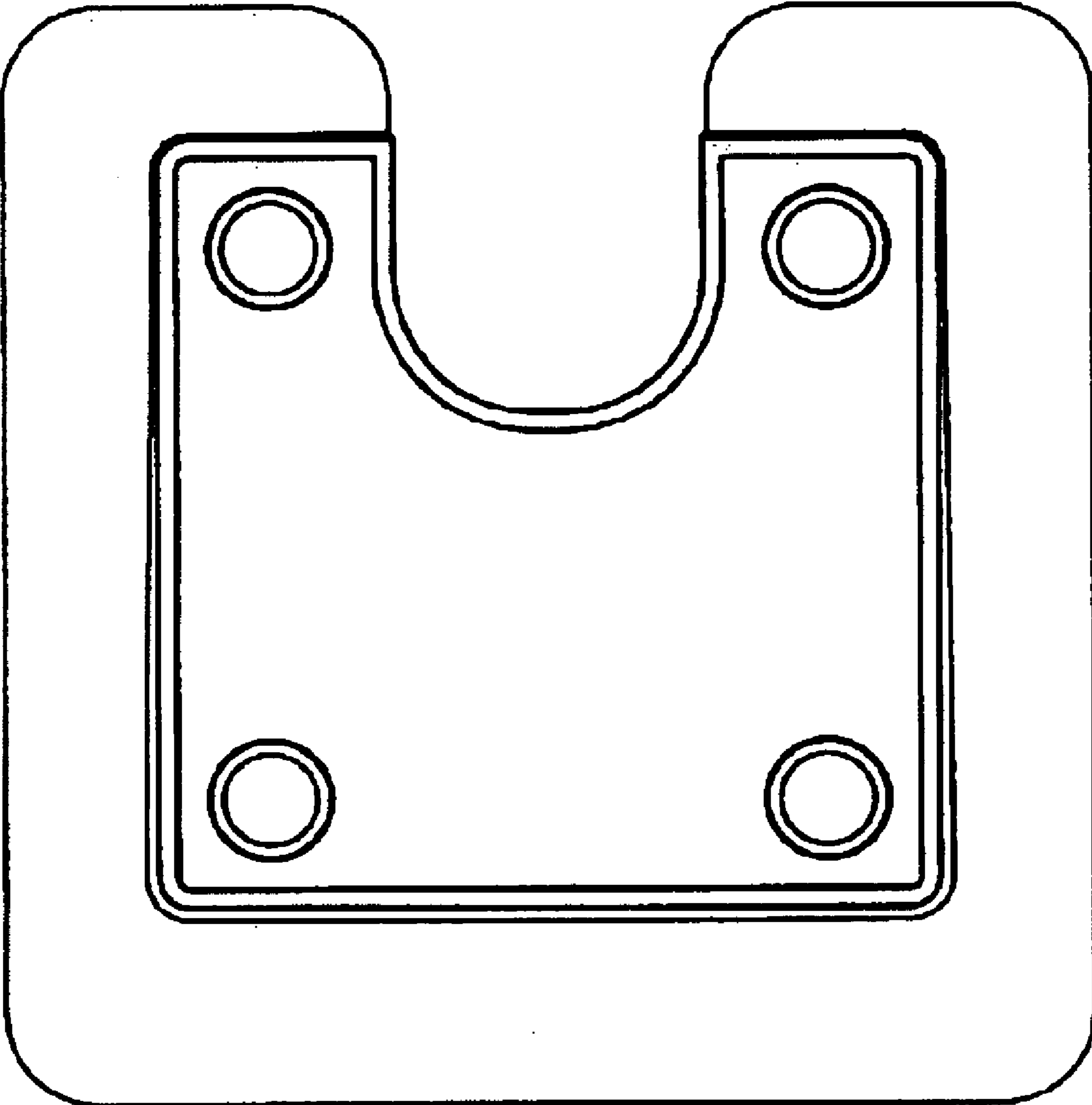


Fig. 7

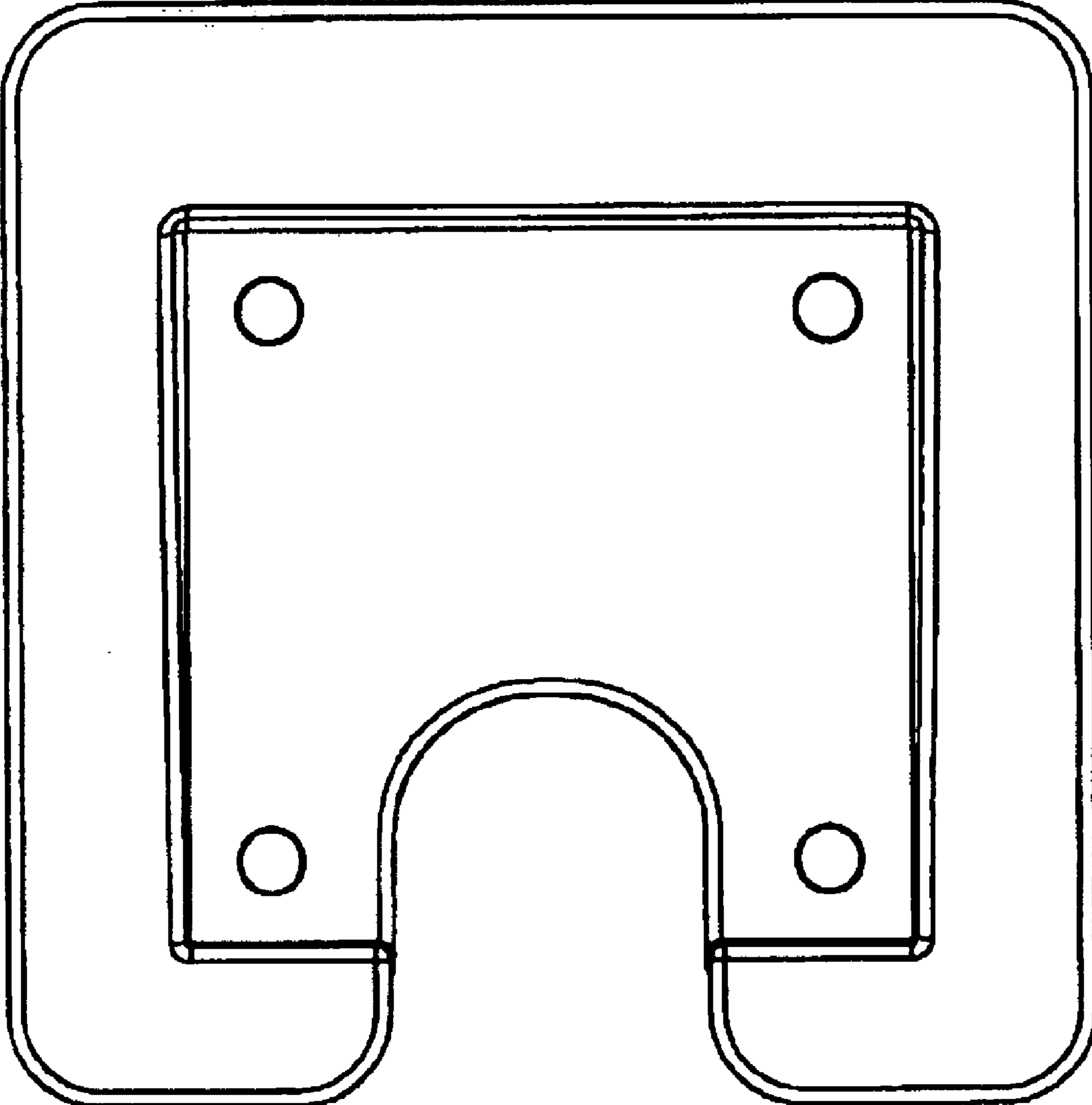


Fig.8

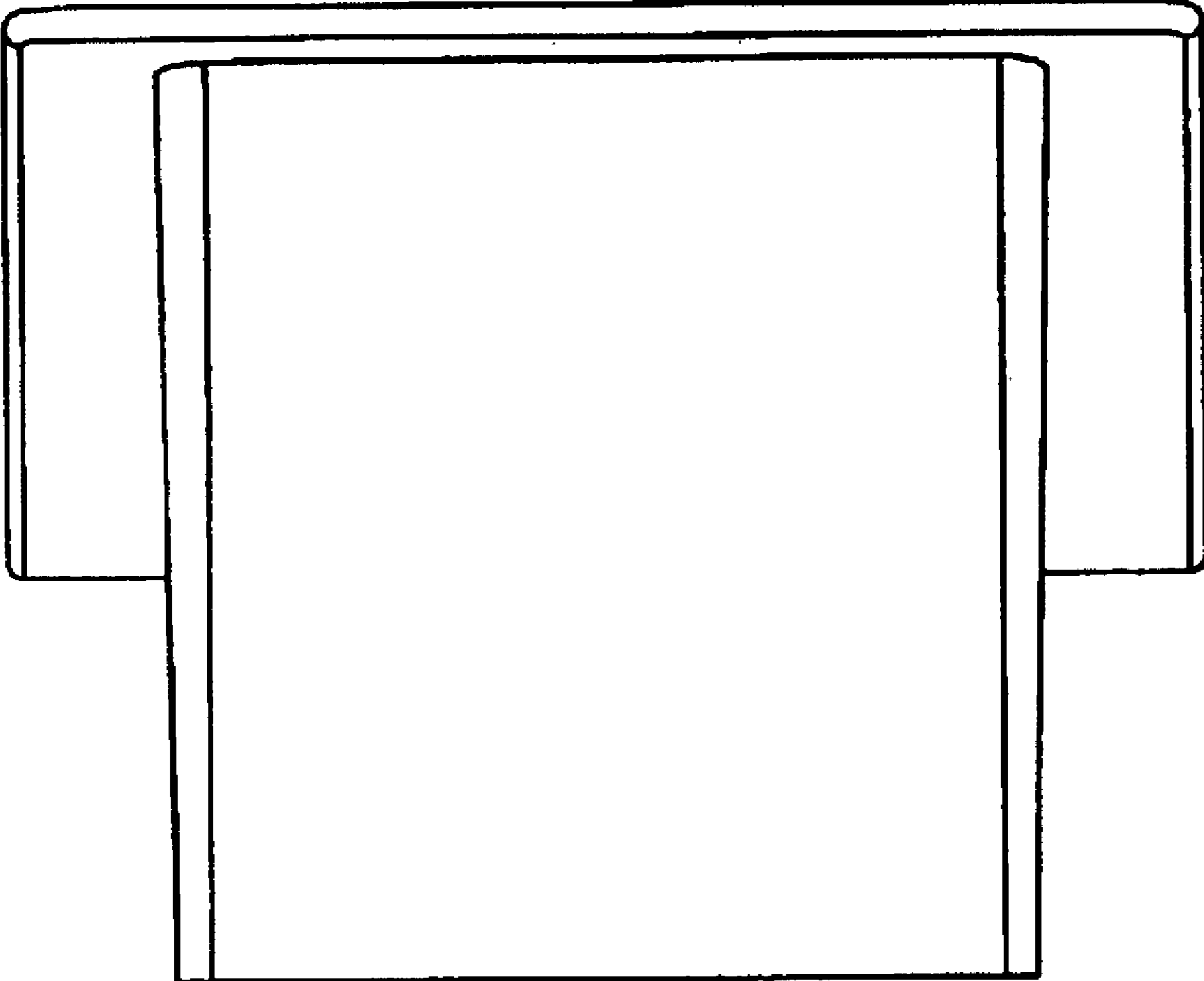


Fig.9

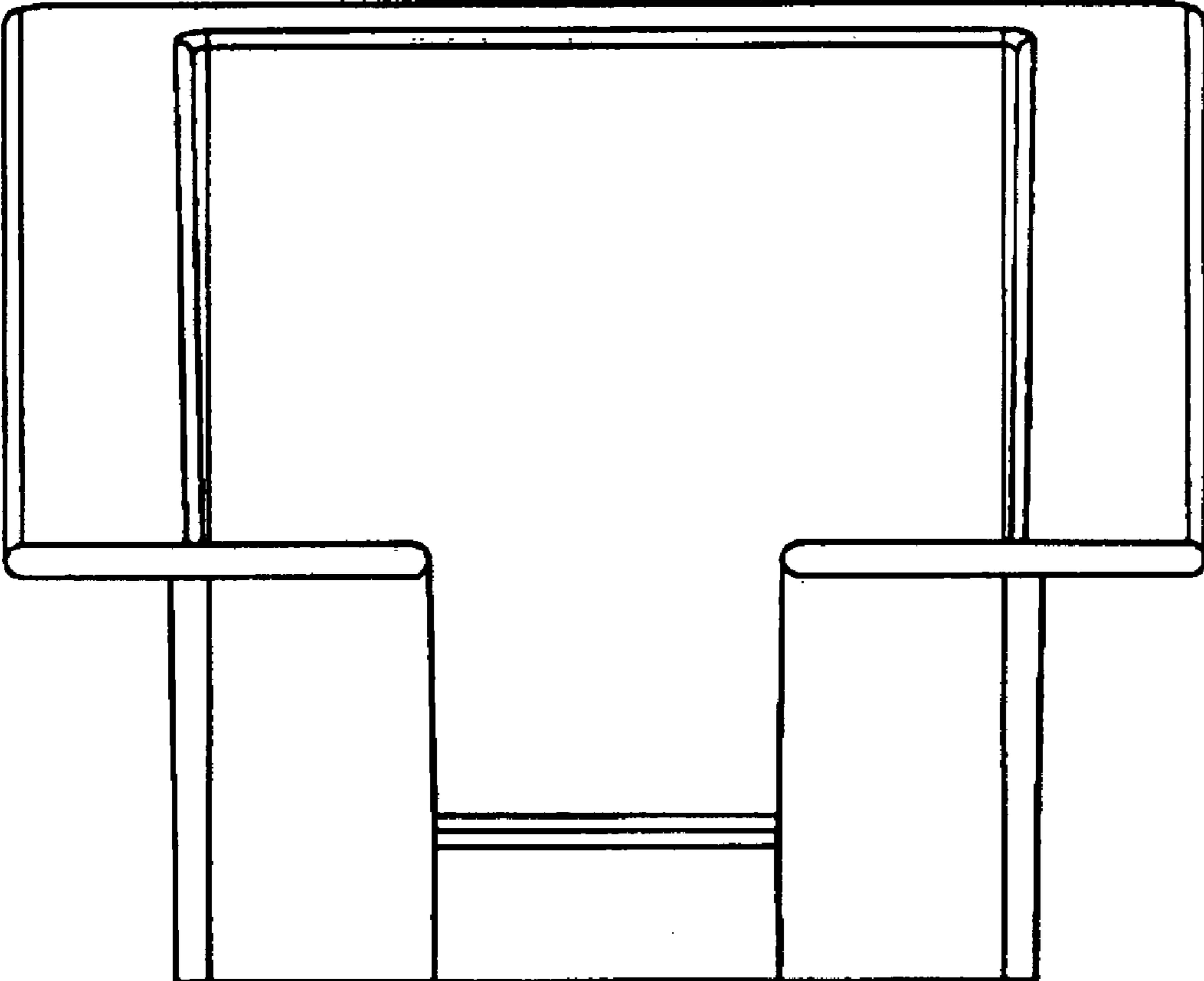


Fig.10

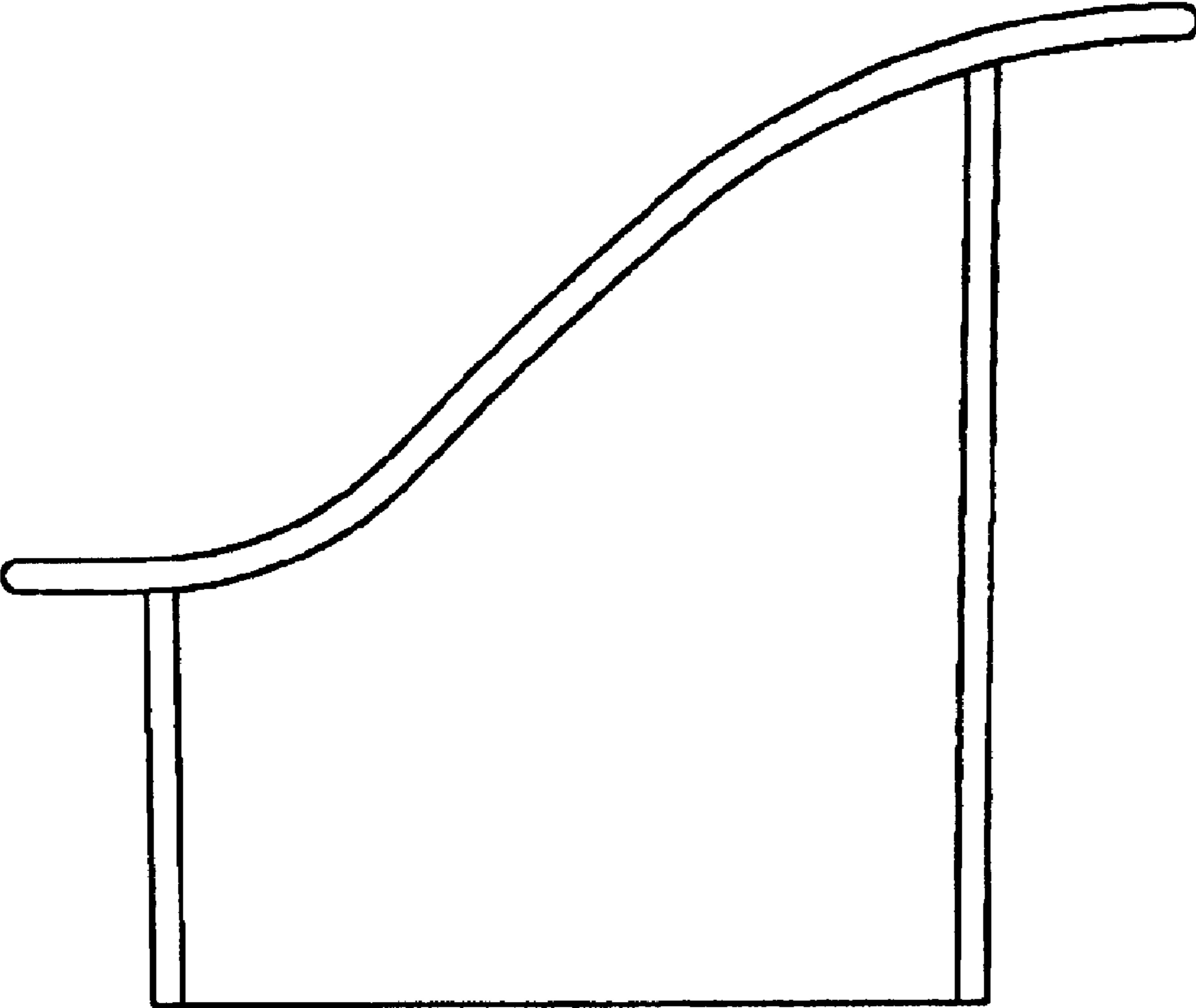


Fig.11

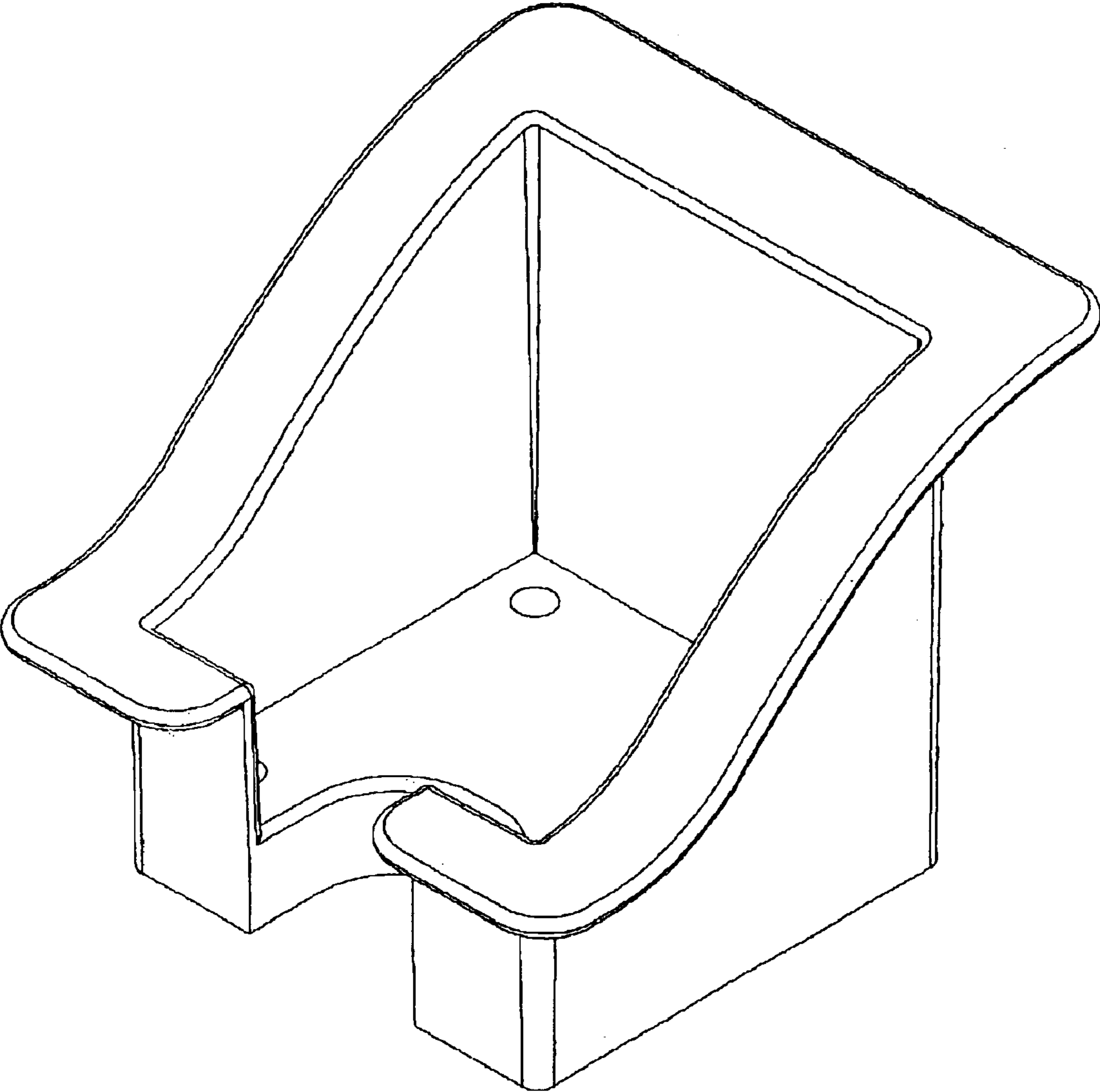


Fig. 12