

US00D496401S1

(12) **United States Design Patent**
Anand

(10) **Patent No.:** **US D496,401 S**

(45) **Date of Patent:** **** Sep. 21, 2004**

(54) **SLIM CLICK PEN**

(75) **Inventor:** **Devendra S. Anand, Mumbai (IN)**

(73) **Assignee:** **Anand International (IN)**

(**) **Term:** **14 Years**

(21) **Appl. No.:** **29/198,489**

(22) **Filed:** **Jan. 30, 2004**

(51) **LOC (7) Cl.** **19-06**

(52) **U.S. Cl.** **D19/51; D19/56**

(58) **Field of Search** **D19/35, 36, 41-51,**
D19/53-58, 81-85, 99, 100-102, 103-106,
107-110, 111-117, 209; 24/10 R, 11 R,
11 P, 11 PP, 11 F

(56) **References Cited**

U.S. PATENT DOCUMENTS

3,724,961 A	*	4/1973	Levain	401/110
D313,246 S	*	12/1990	Porsche	D19/51
D377,664 S	*	1/1997	Izushima	D19/51
D395,673 S	*	6/1998	Baubil	D19/51

D418,541 S	*	1/2000	Mayer	D19/50
D456,845 S	*	5/2002	Rommel	D19/49
D487,114 S	*	2/2004	Santa Maria et al.	D19/50
D489,090 S	*	4/2004	Buechler	D19/51

* cited by examiner

Primary Examiner—Martie K. Holtje

(74) *Attorney, Agent, or Firm*—St. Onge, Steward,
Johnston & Reens LLC

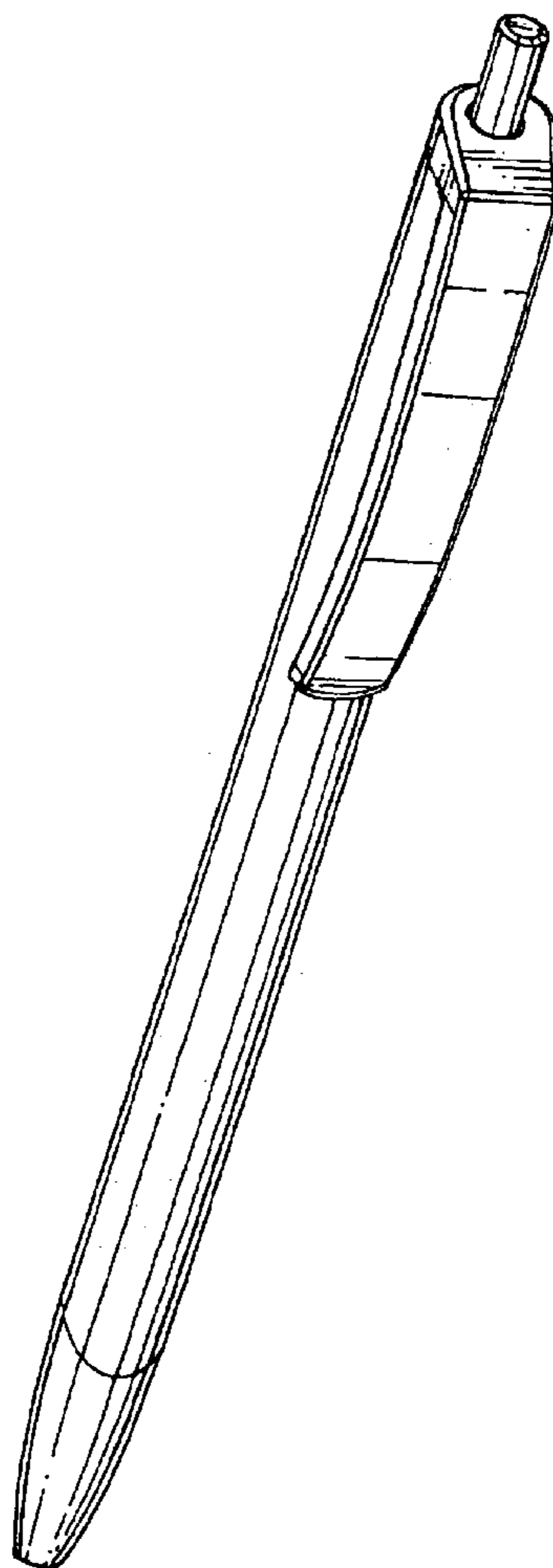
(57) **CLAIM**

The ornamental design for a slim click pen, as shown and described.

DESCRIPTION

FIG. 1 is a front perspective view of a slim click pen in accordance with the new design;
FIG. 2 is a top plan view thereof;
FIG. 3 is a bottom plan view thereof;
FIG. 4 is a right side elevational view thereof;
FIG. 5 is a front elevational view thereof;
FIG. 6 is a left side elevational view thereof; and,
FIG. 7 is a rear elevational view thereof.

1 Claim, 2 Drawing Sheets



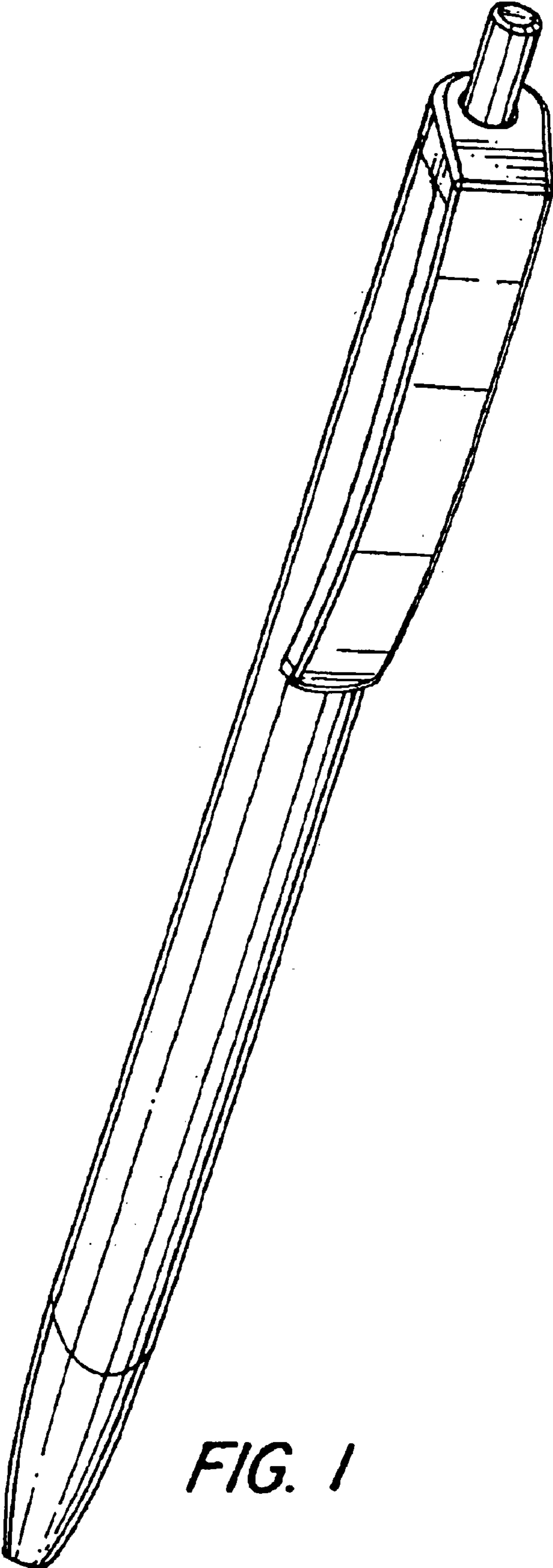


FIG. 1



FIG. 2

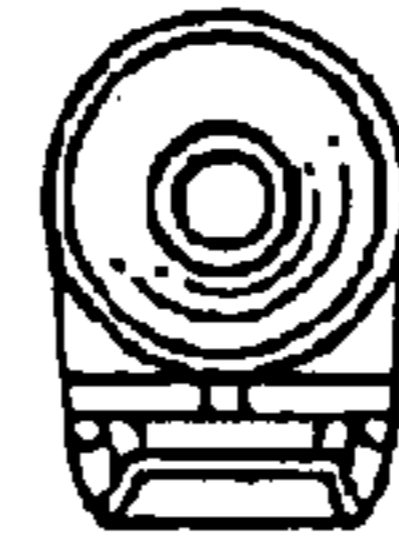


FIG. 3

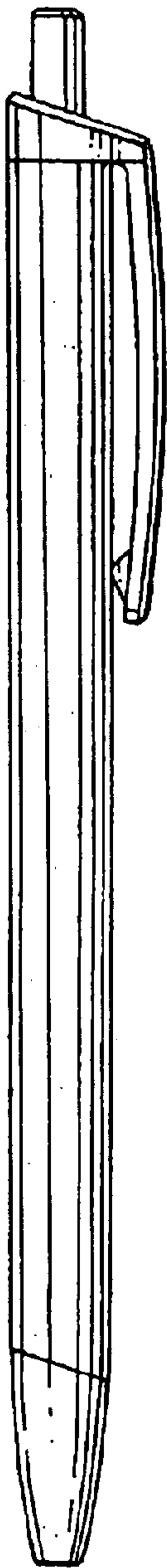


FIG. 4



FIG. 5



FIG. 6

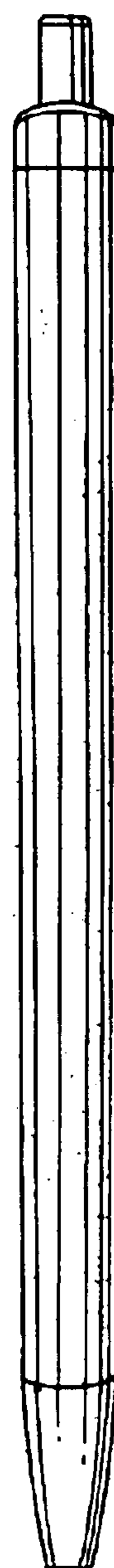


FIG. 7