

US00D496395S1

(12) **United States Design Patent**
Miyagawa

(10) **Patent No.:** **US D496,395 S**
(45) **Date of Patent:** **** Sep. 21, 2004**

(54) **DEVELOPER UNIT FOR AN IMAGE FORMING APPARATUS**

(75) Inventor: **Tomoo Miyagawa, Osaka (JP)**

(73) Assignee: **Kyocera Mita Corporation, Osaka (JP)**

(**) Term: **14 Years**

(21) Appl. No.: **29/179,128**

(22) Filed: **Apr. 4, 2003**

(51) **LOC (7) Cl.** **16-03**

(52) **U.S. Cl.** **D18/40**

(58) **Field of Search** D18/40, 43, 56;
399/1-3, 12, 24-31, 106, 110-120, 130,
134, 252, 262; 222/DIG. 1

(56) **References Cited**

U.S. PATENT DOCUMENTS

- D374,250 S * 10/1996 Yabuki et al. D18/43
- D377,662 S * 1/1997 Ootani et al. D18/43
- D397,140 S * 8/1998 Oshida D18/40

- D410,676 S * 6/1999 Kurabayashi et al. D18/40
- D423,559 S * 4/2000 Suzuki et al. D18/40
- D447,511 S * 9/2001 Kimura et al. D18/40
- 6,349,189 B1 * 2/2002 Jeon 399/119
- D471,583 S * 3/2003 Okabe et al. D18/40

* cited by examiner

Primary Examiner—Caron D. Veynar

(74) *Attorney, Agent, or Firm*—Jordan and Hamburg LLP

(57) **CLAIM**

The ornamental design for a developer unit for an image forming apparatus, as shown and described.

DESCRIPTION

FIG. 1 is a perspective view of a developer unit for an image forming apparatus;
 FIG. 2 is a front view thereof;
 FIG. 3 is a rear view thereof;
 FIG. 4 is a left side view thereof;
 FIG. 5 is a right side view thereof;
 FIG. 6 is a top view thereof; and,
 FIG. 7 is a bottom view thereof.

1 Claim, 4 Drawing Sheets

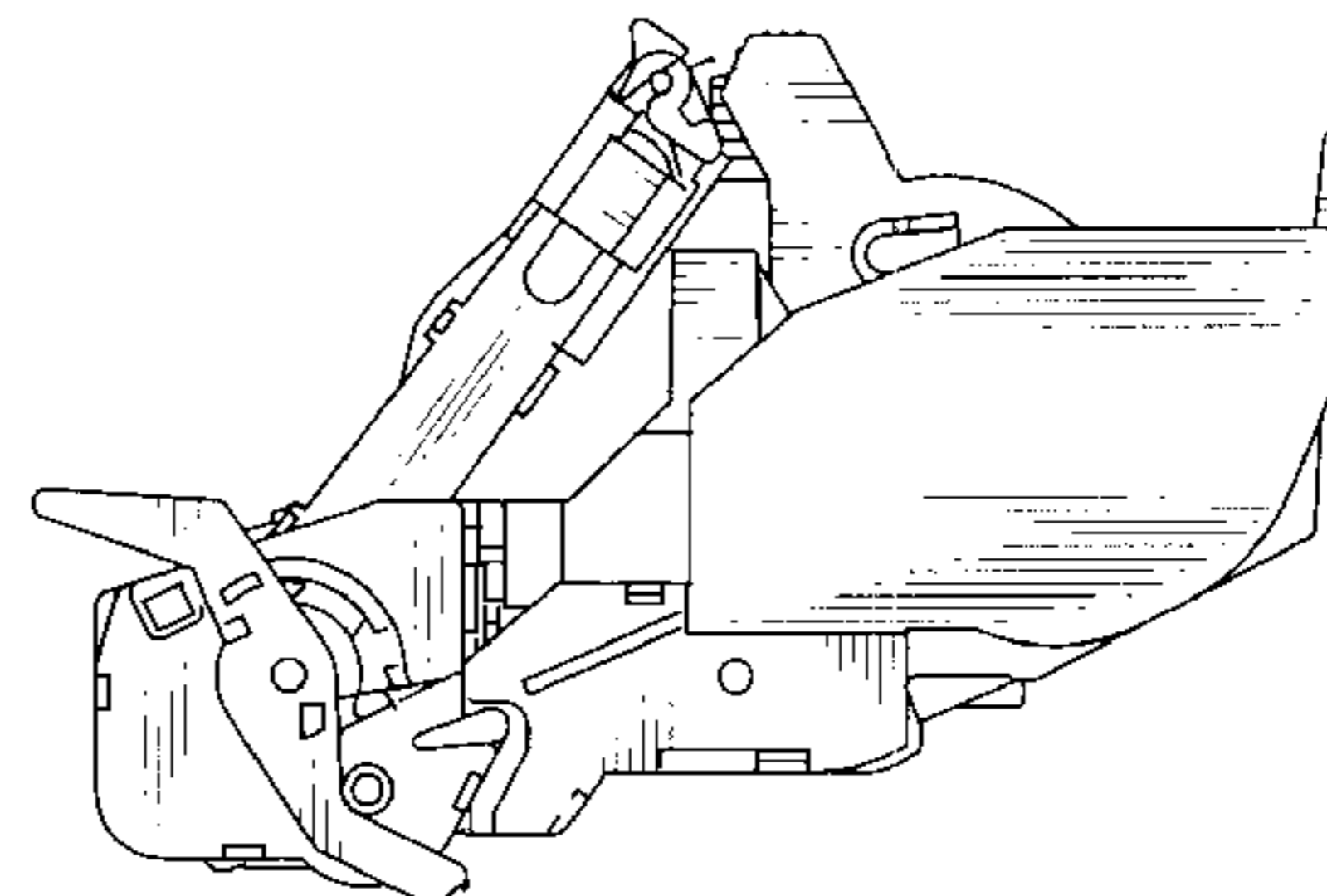
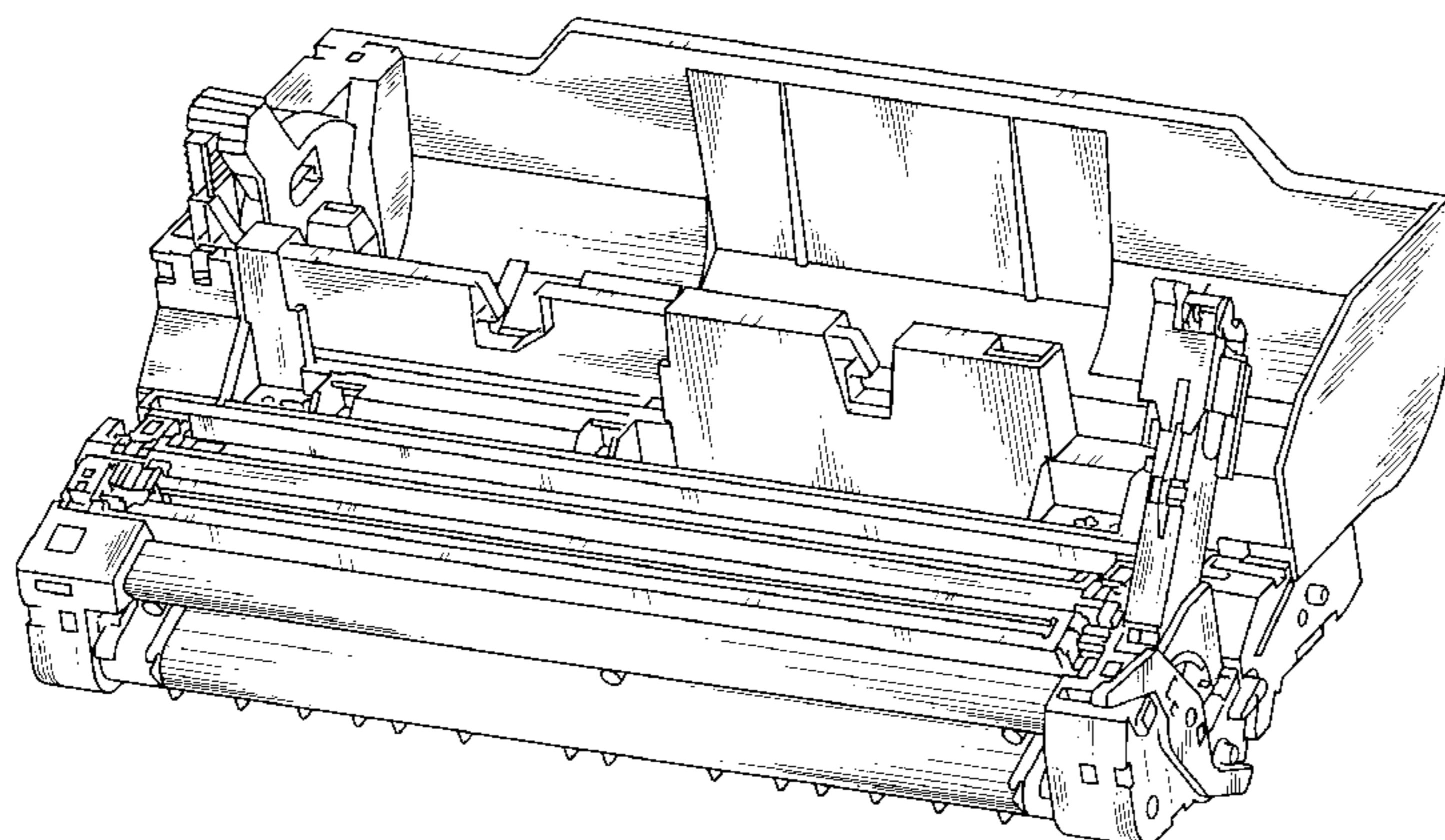


Fig. 1

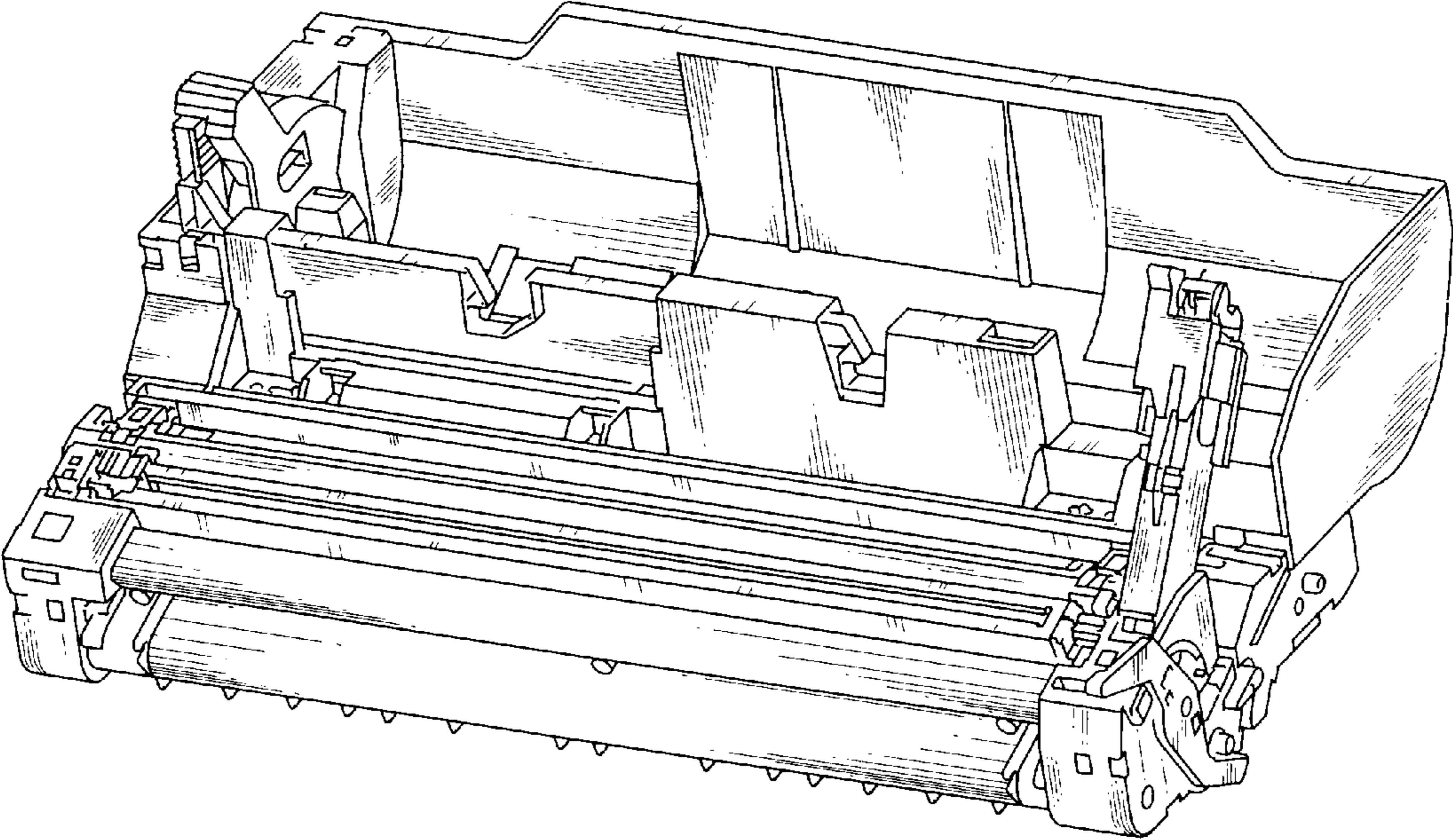


Fig. 2

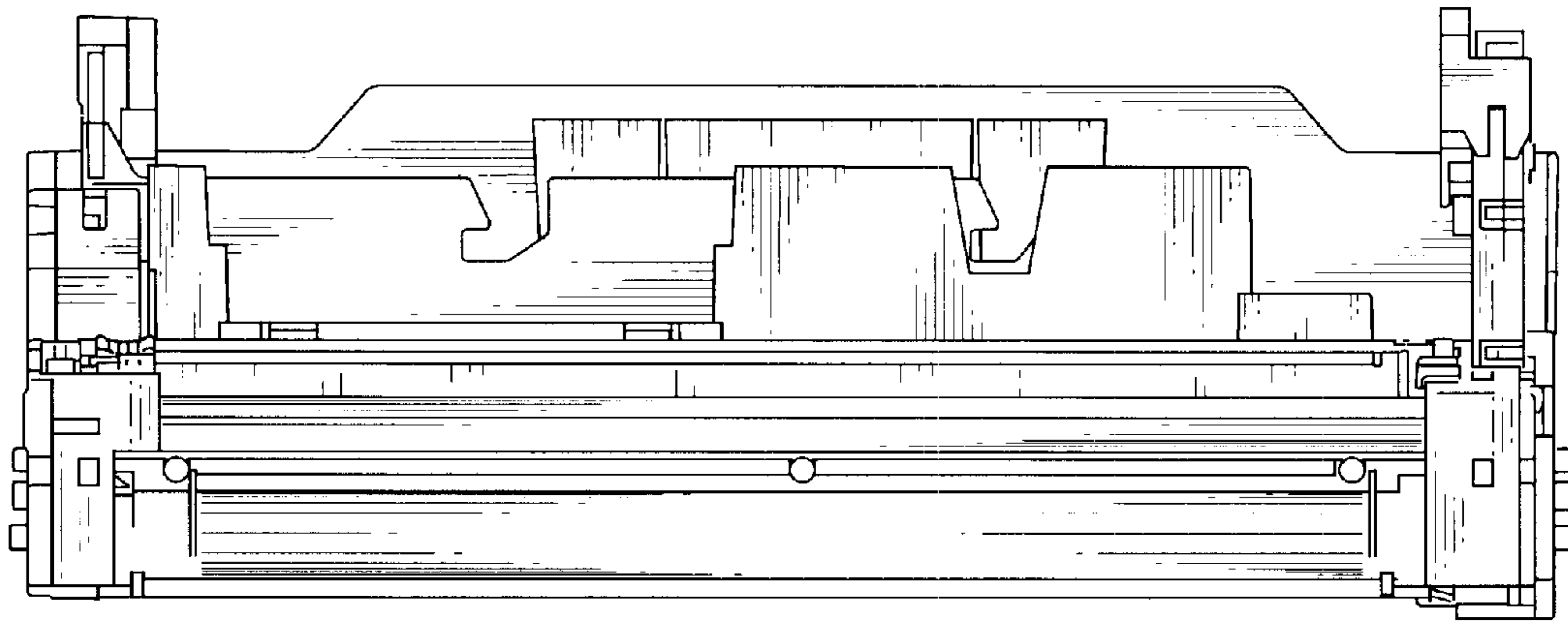


Fig. 3

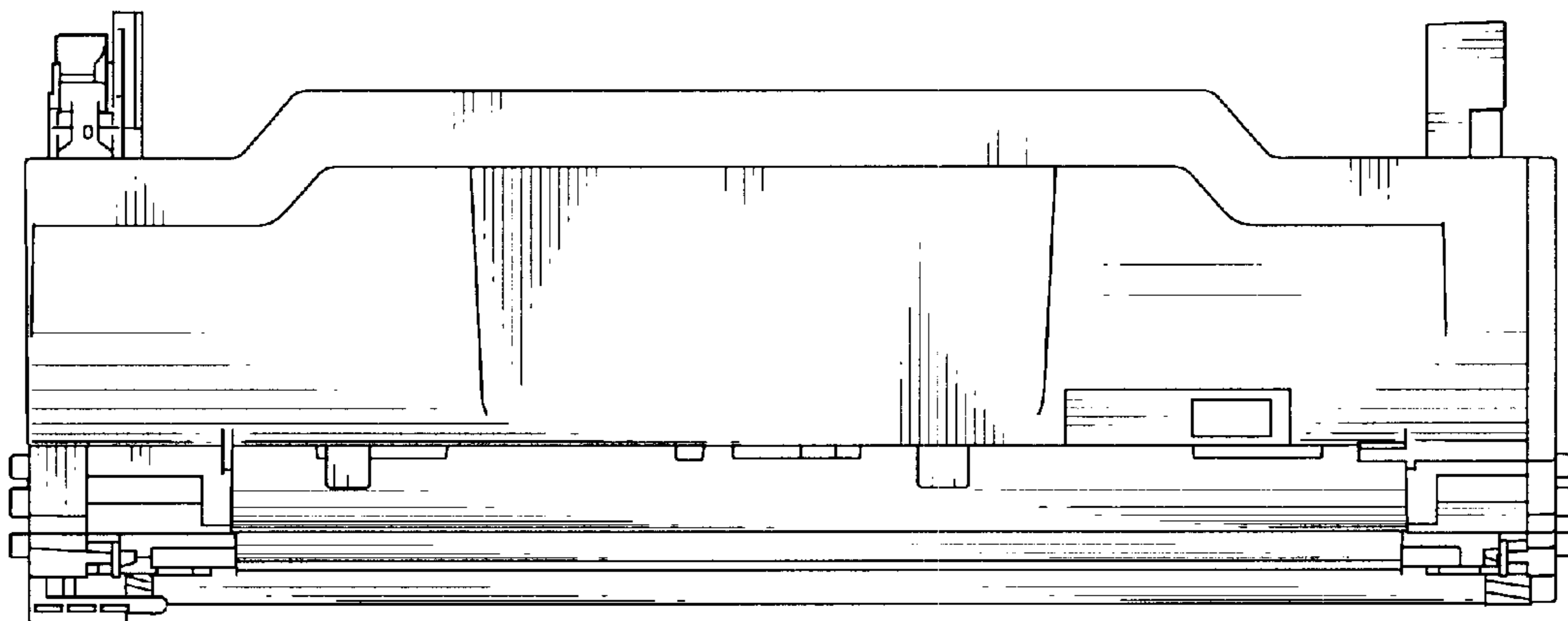


Fig. 4

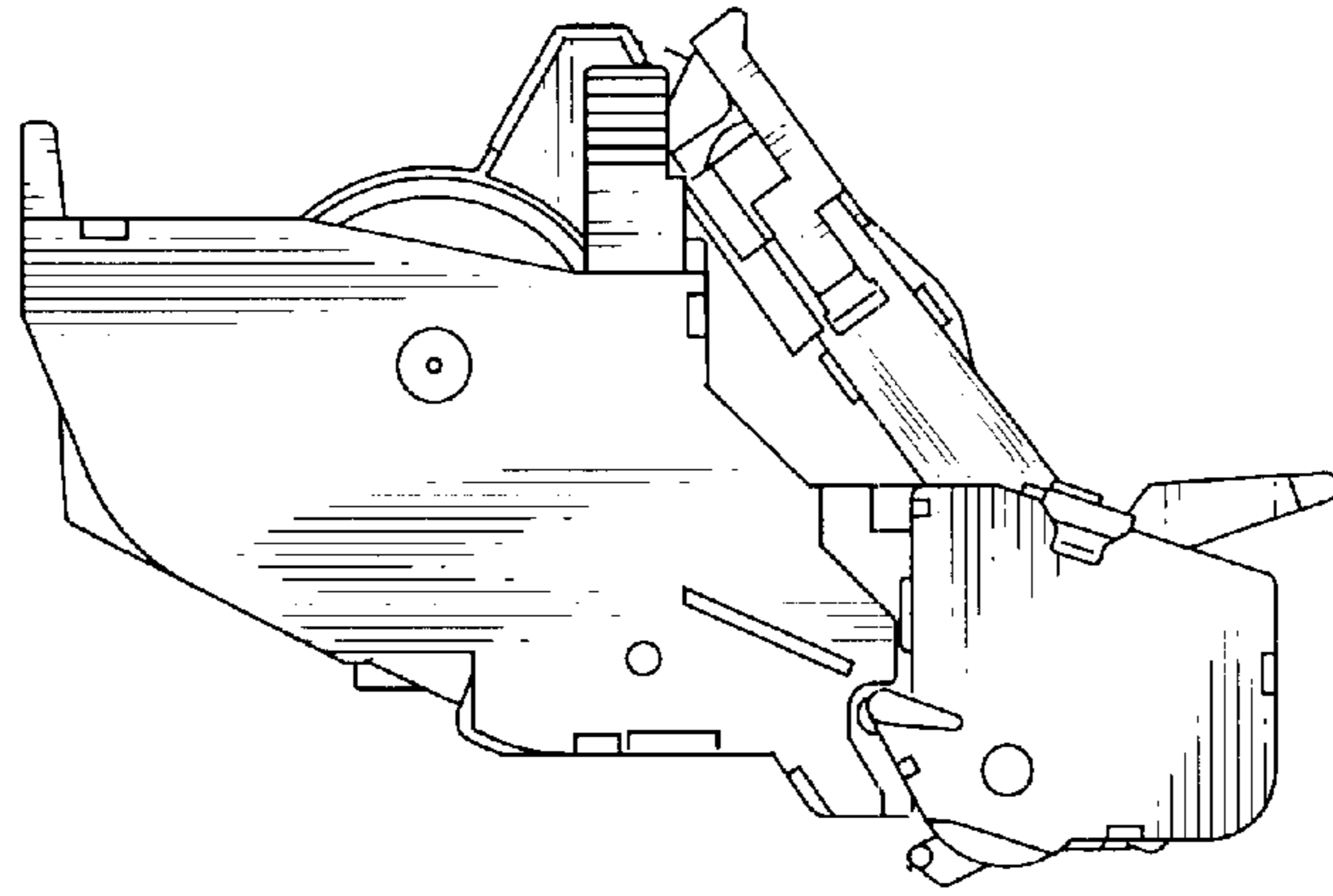


Fig. 5

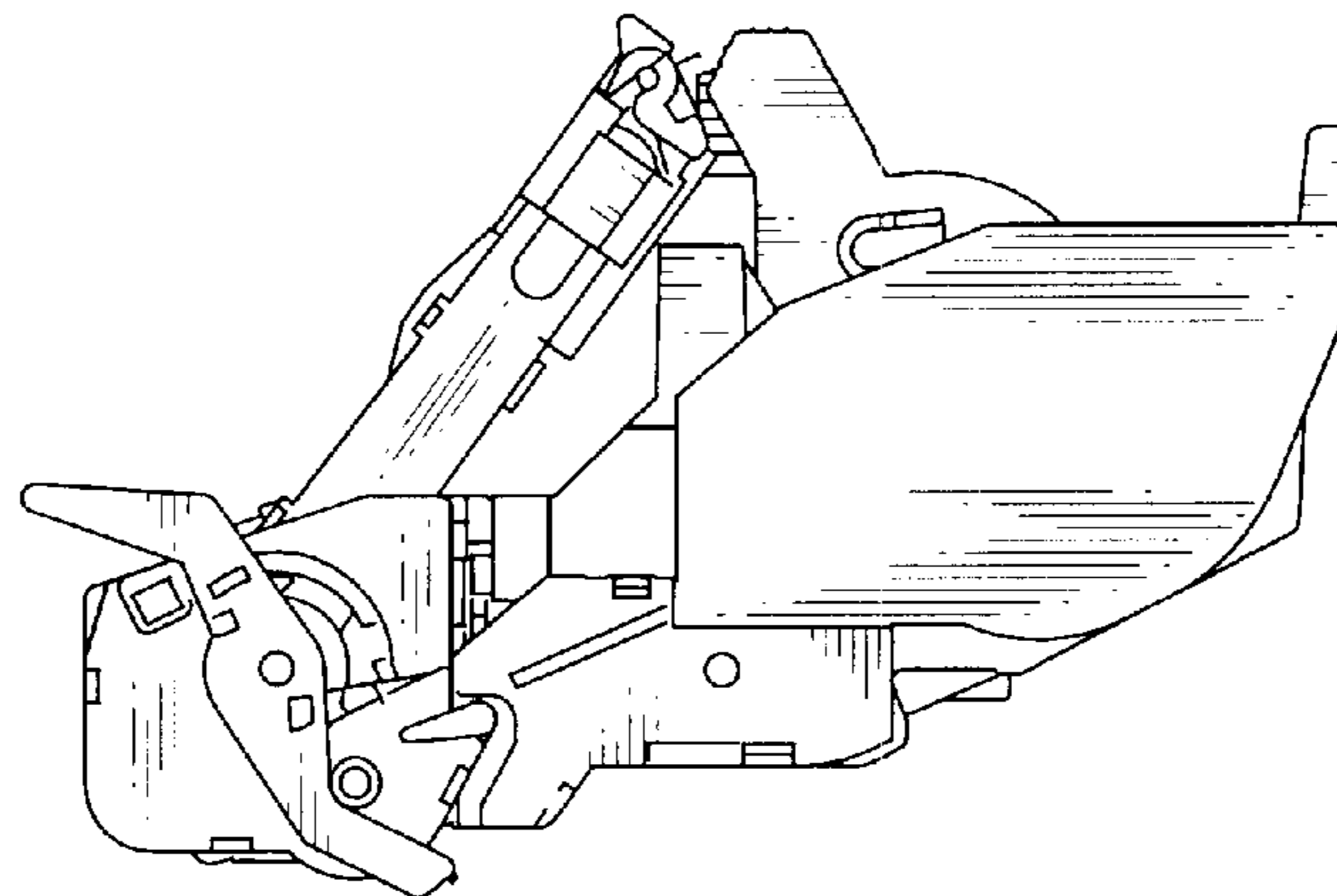


Fig. 6

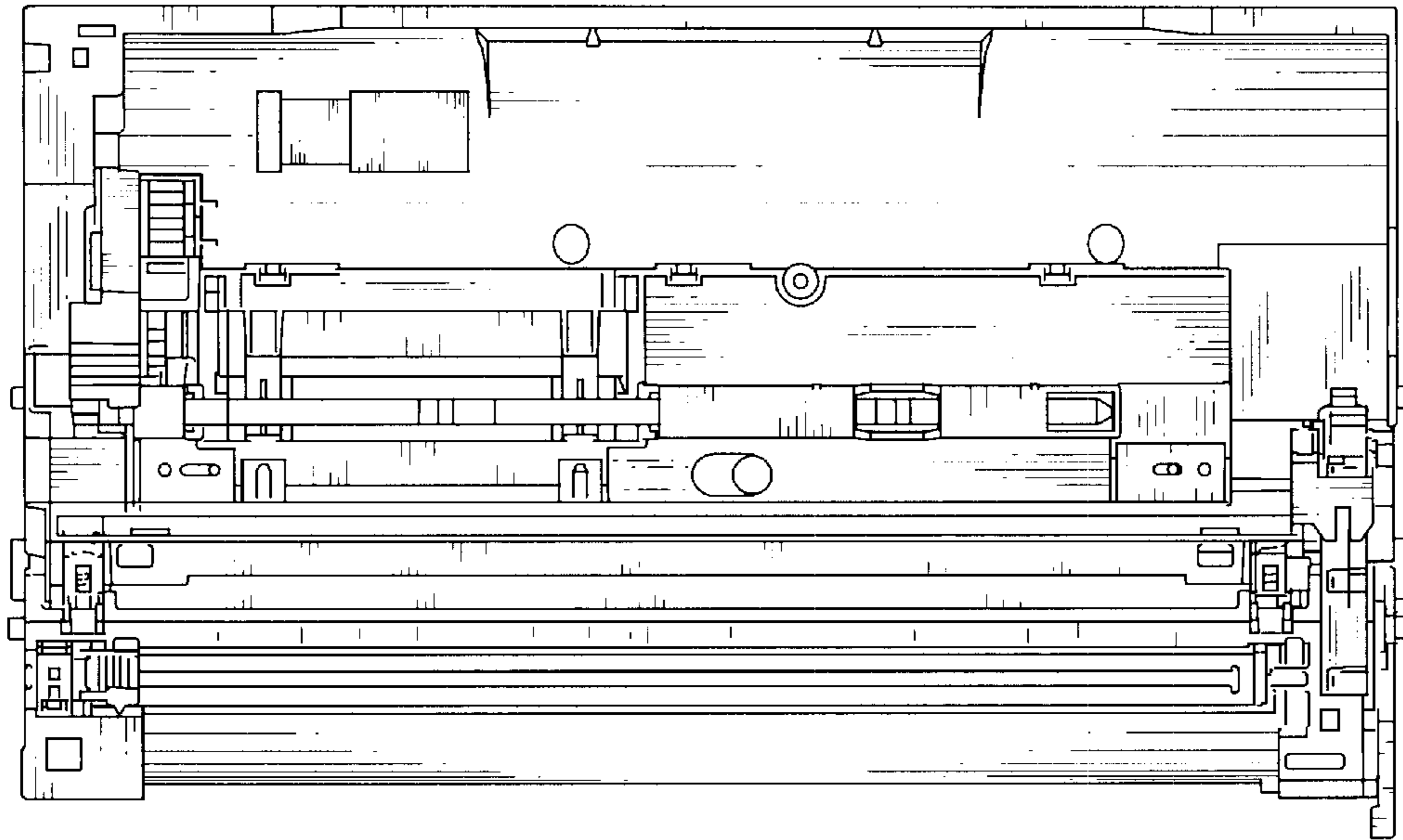


Fig. 7

