

US00D496382S1

(12) **United States Design Patent**
Yamakami et al.

(10) **Patent No.:** **US D496,382 S**

(45) **Date of Patent:** **** Sep. 21, 2004**

(54) **CAMERA MODULE**

(75) **Inventors:** **Fumihiko Yamakami, Yamagata (JP);**
Tomohiko Ohsaka, Yamagata (JP);
Masahiro Saito, Yamagata (JP)

(73) **Assignee:** **Mitsumi Electric Co., Ltd., Tokyo (JP)**

(**) **Term:** **14 Years**

(21) **Appl. No.:** **29/198,828**

(22) **Filed:** **Feb. 6, 2004**

(30) **Foreign Application Priority Data**

Sep. 30, 2003 (JP) 2003-028774

(51) **LOC (7) Cl.** **16-01**

(52) **U.S. Cl.** **D16/218; D16/200**

(58) **Field of Search** **D16/200-204,**
D16/208, 218, 219; 348/373-376; 358/906,
909.1; 396/6, 7, 535-541

(56) **References Cited**

U.S. PATENT DOCUMENTS

4,825,302 A * 4/1989 Tezuka et al. 358/906

D465,504 S * 11/2002 Van Klinken D16/203
D473,251 S * 4/2003 Katayama D16/218
D474,221 S * 5/2003 Cheng D16/218
D484,523 S * 12/2003 Senda D16/218
D489,388 S * 5/2004 Saito et al. D16/218

* cited by examiner

Primary Examiner—Adir Aronovich

(74) *Attorney, Agent, or Firm*—Sughrue Mion, PLLC

(57) **CLAIM**

The ornamental design for a camera module, as shown.

DESCRIPTION

FIG. 1 is a perspective view of the top, front and left side of camera module showing our new design; FIG. 2 is a front elevational view thereof; FIG. 3 is a rear elevational view thereof; FIG. 4 is a right side elevational view thereof; FIG. 5 is a left side elevational view thereof; FIG. 6 is a top plan view thereof; and, FIG. 7 is a bottom plan view thereof.

1 Claim, 4 Drawing Sheets

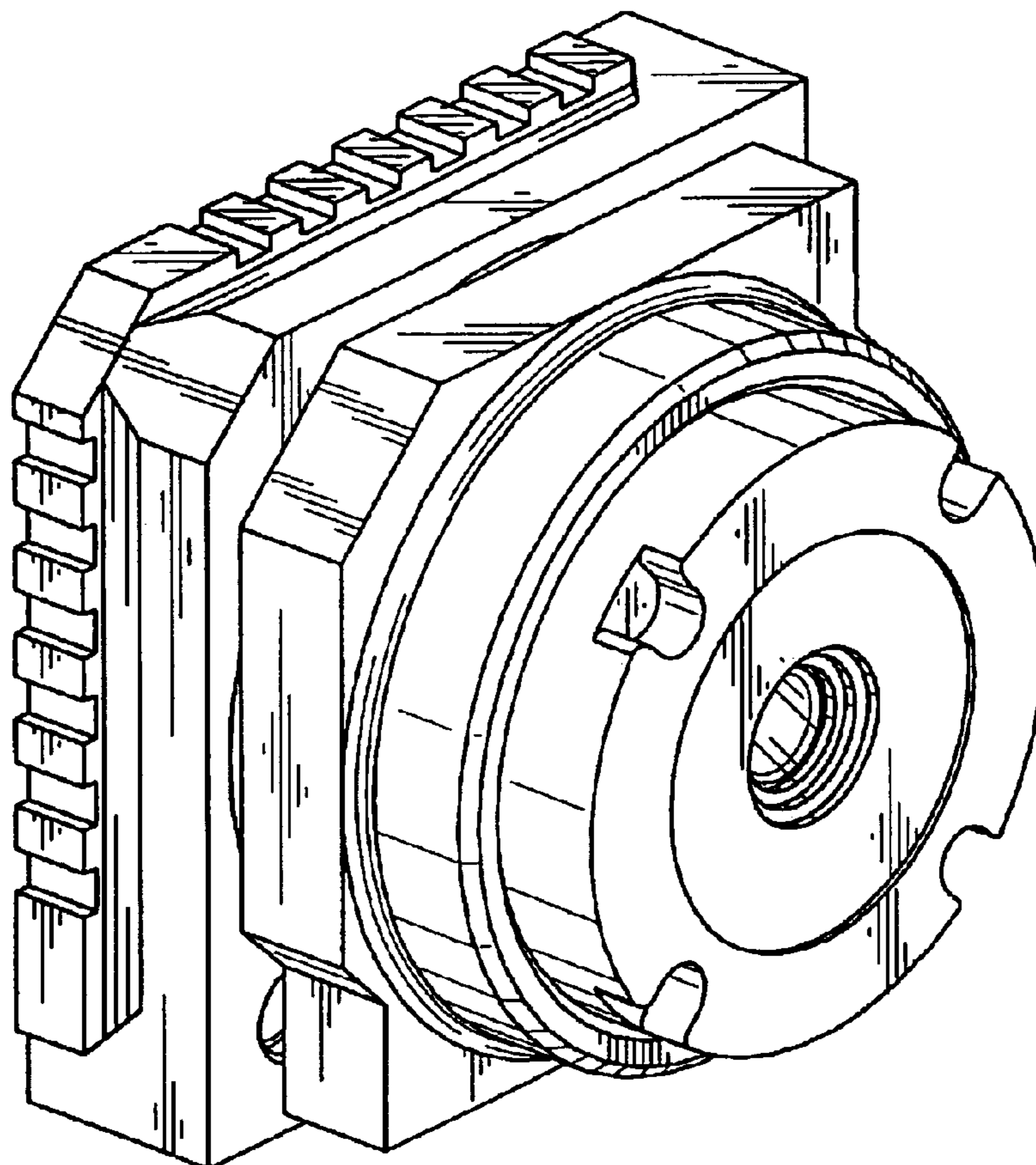


FIG. 1

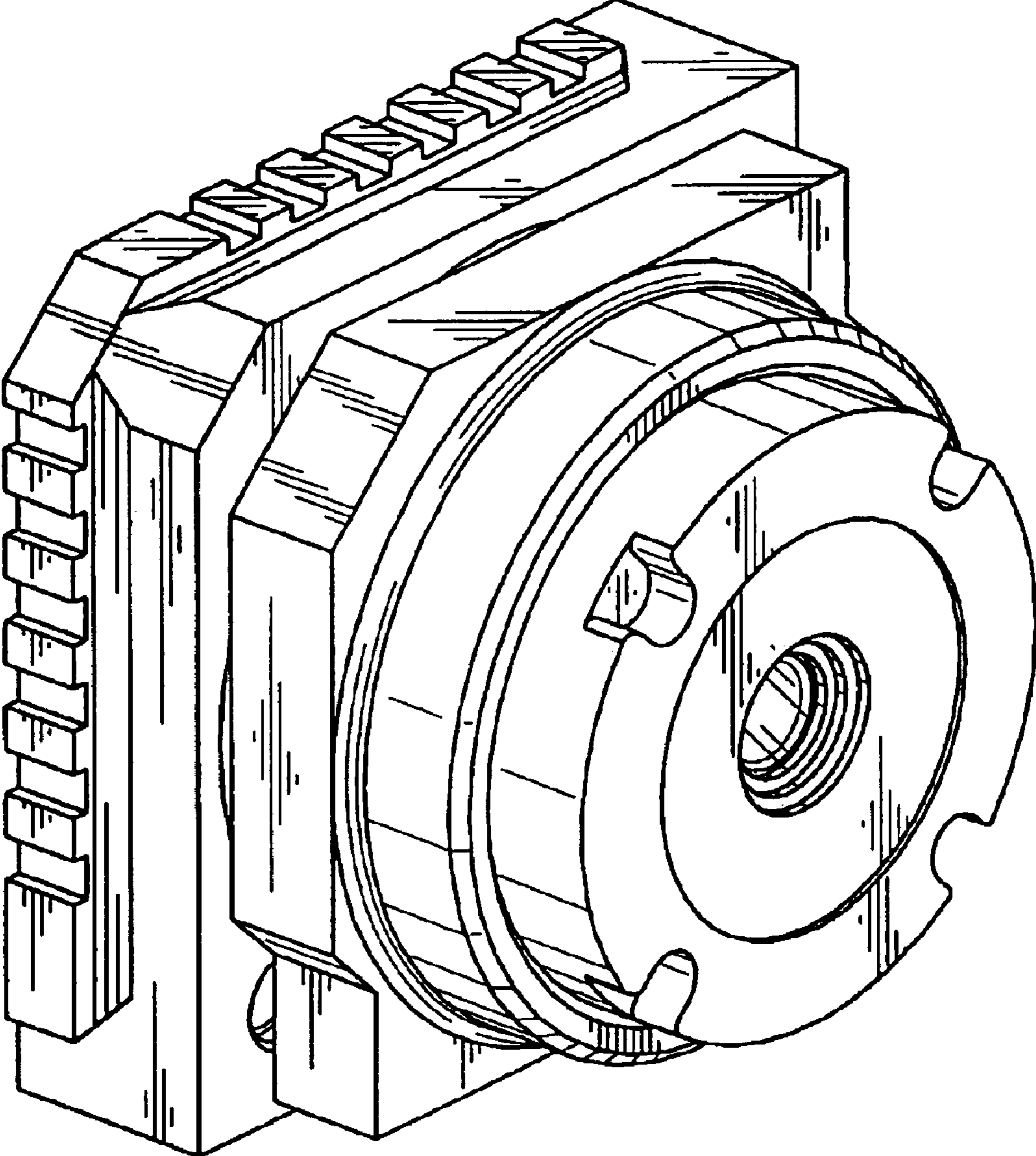


FIG. 2

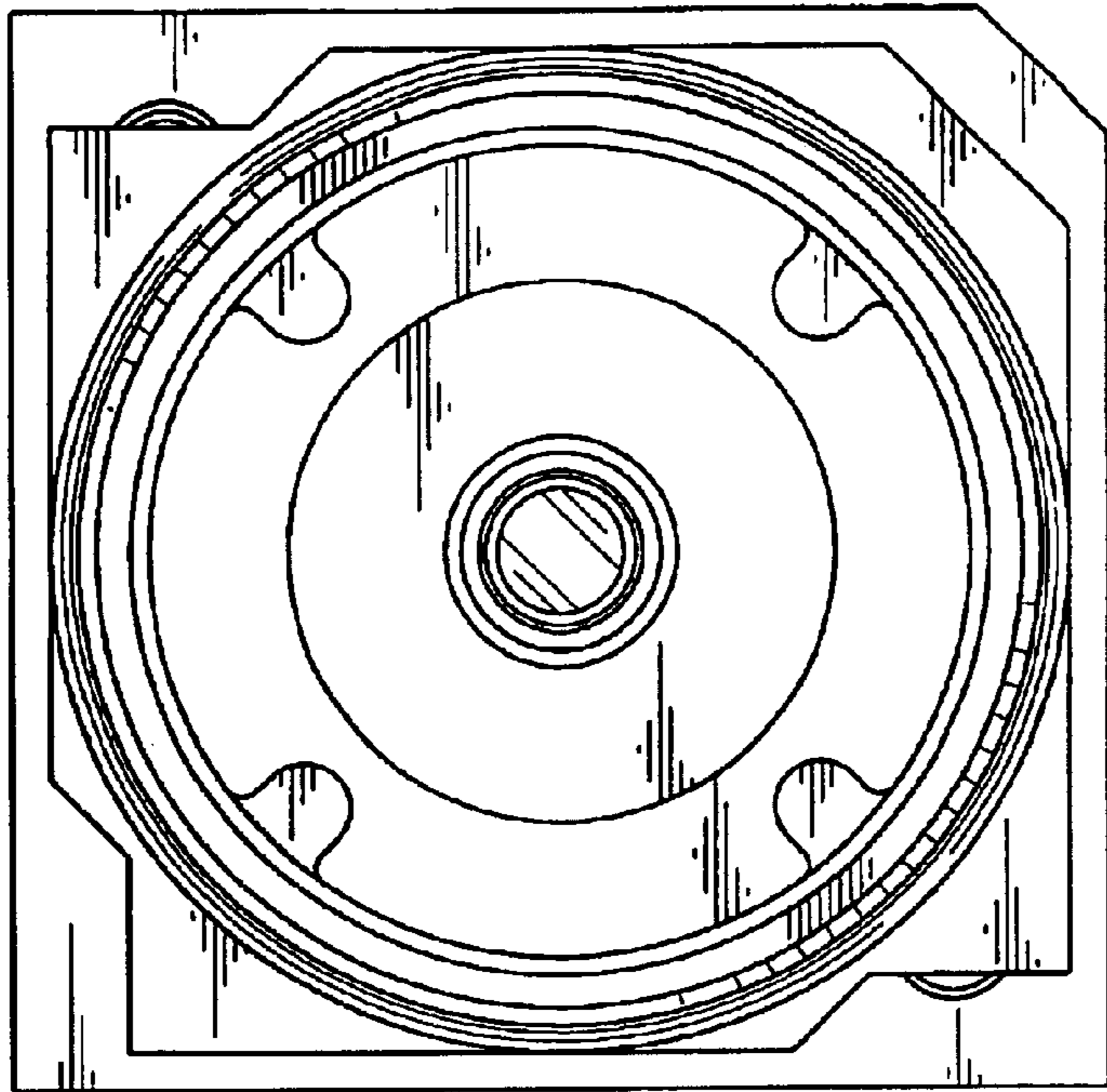


FIG. 3

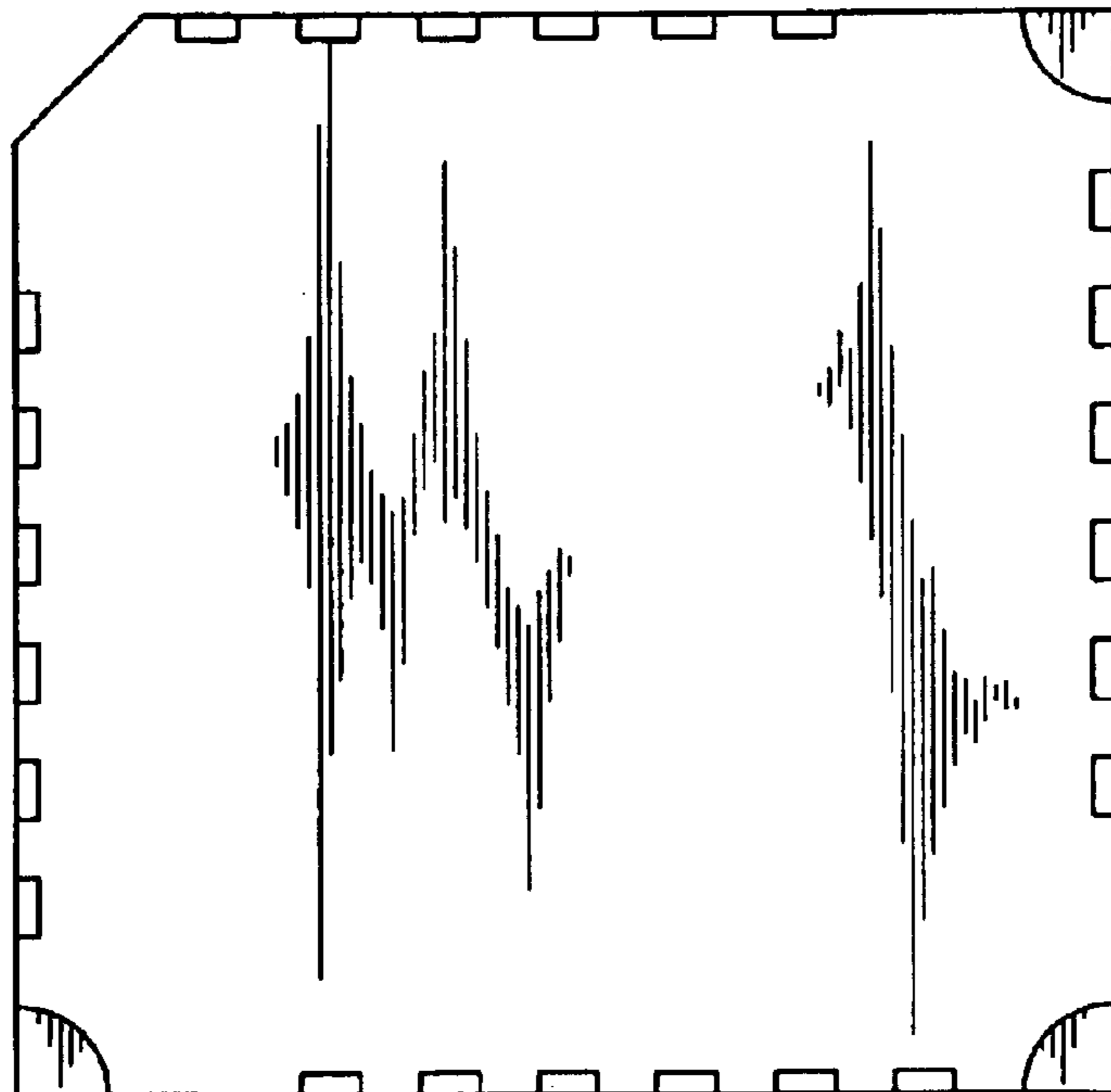


FIG. 4

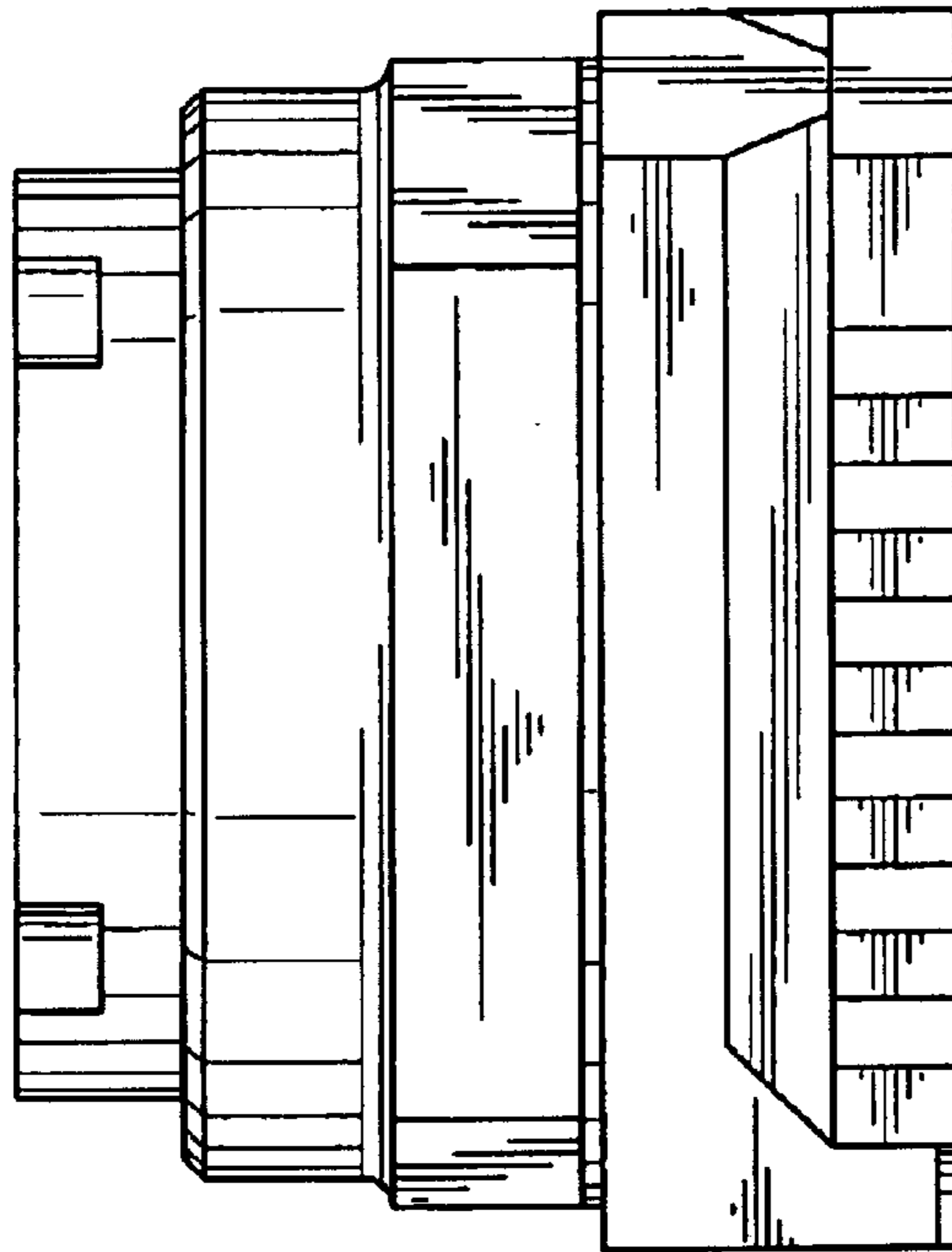


FIG. 5

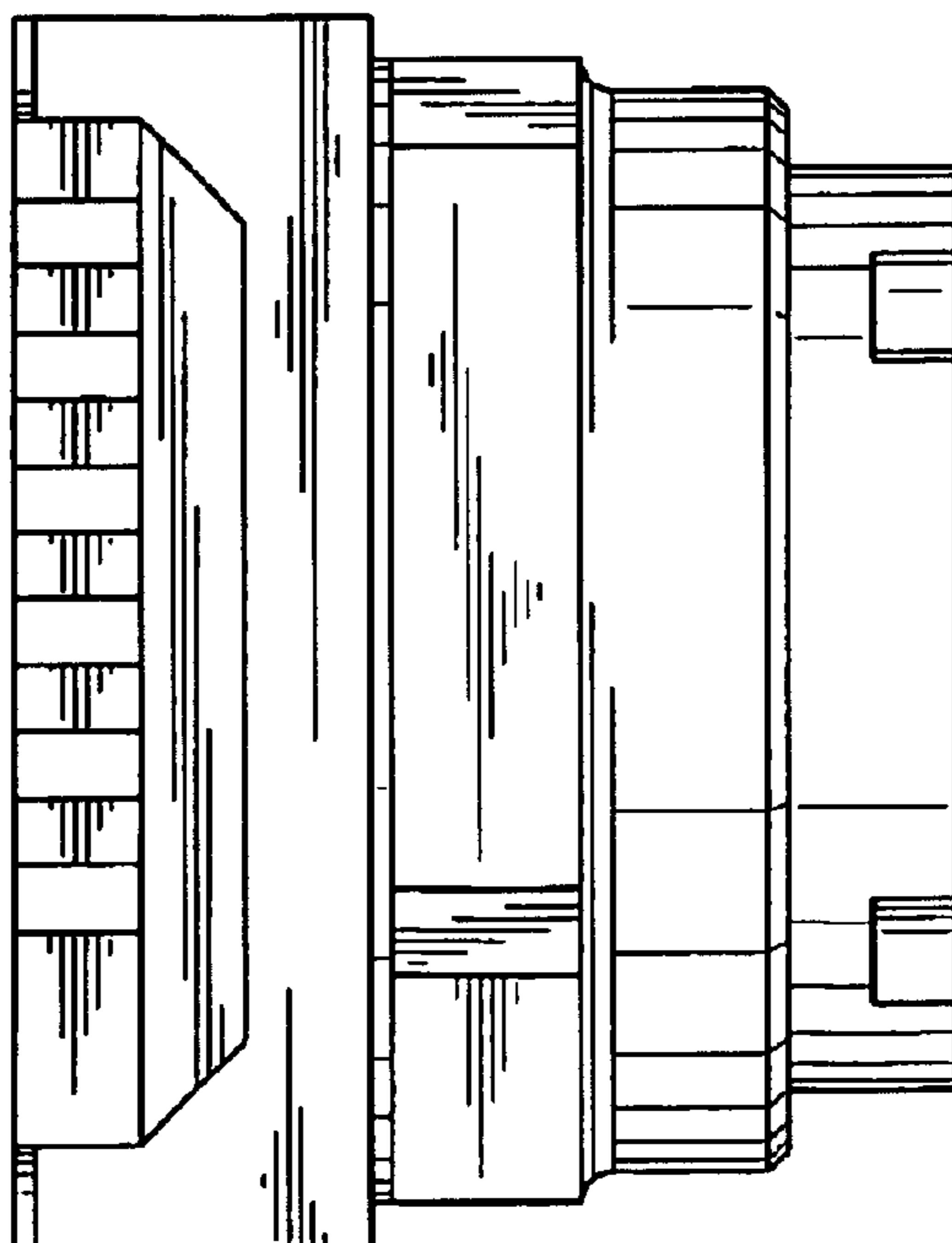


FIG. 6

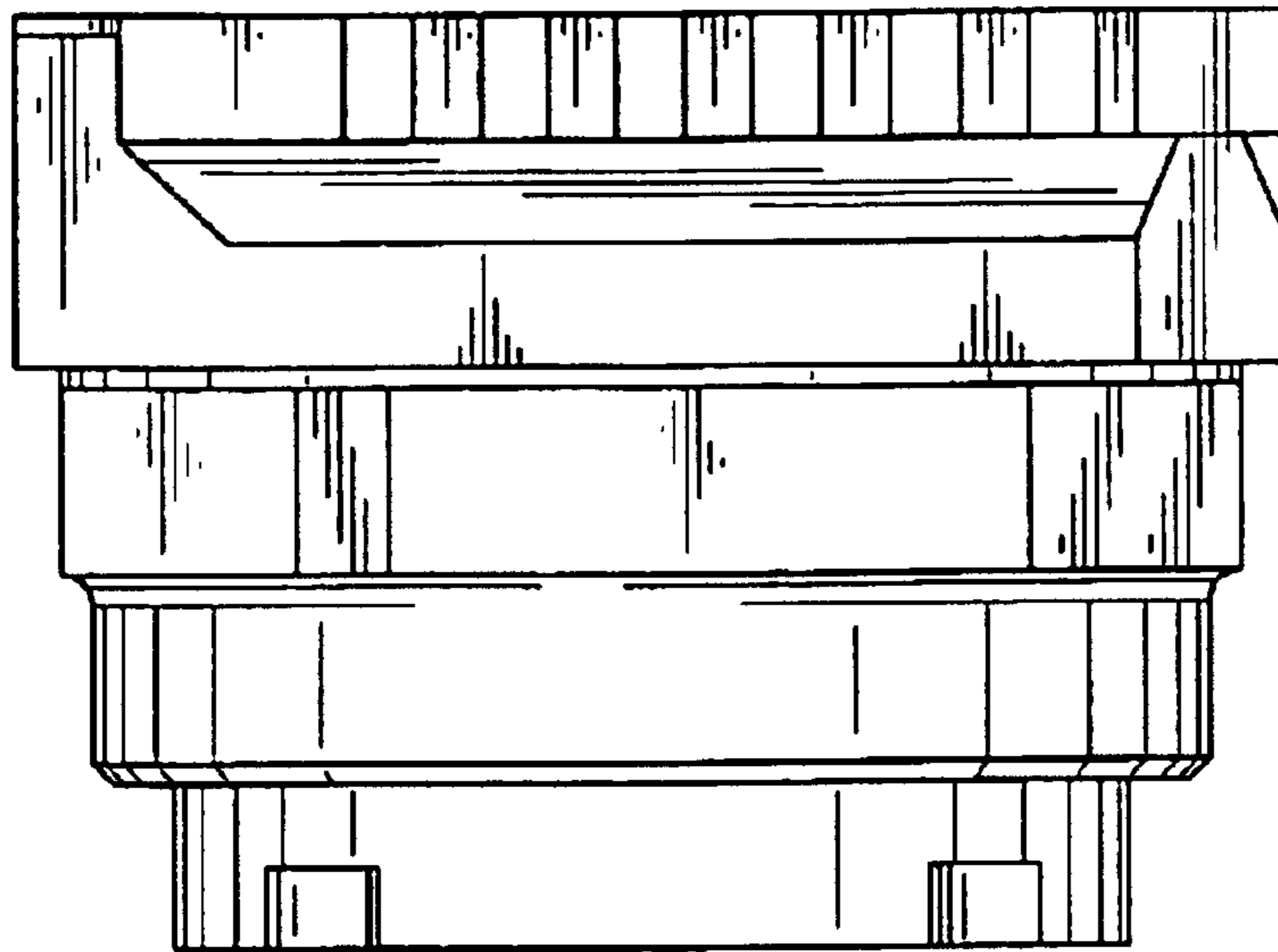


FIG. 7

