

US00D496380S1

(12) **United States Design Patent**
Isomoto

(10) **Patent No.:** **US D496,380 S**

(45) **Date of Patent:** **** Sep. 21, 2004**

(54) **DIGITAL CAMERA**

(75) **Inventor:** **Masataka Isomoto, Yokohama (JP)**

(73) **Assignee:** **Canon Kabushiki Kaisha, Tokyo (JP)**

(**) **Term:** **14 Years**

(21) **Appl. No.:** **29/195,720**

(22) **Filed:** **Dec. 17, 2003**

(30) **Foreign Application Priority Data**

Jun. 30, 2003 (JP) 2003-018642

(51) **LOC (7) Cl.** **16-01**

(52) **U.S. Cl.** **D16/202**

(58) **Field of Search** D16/200-204,
D16/208, 209, 218; 348/373-376; 358/909.1;
396/535-541

(56) **References Cited**

U.S. PATENT DOCUMENTS

D422,002 S * 3/2000 Li et al. D16/209
D445,440 S * 7/2001 Chen D16/202

D475,383 S * 6/2003 Omino D16/202
D480,742 S * 10/2003 Chin D16/202
D482,054 S * 11/2003 Nasu D16/202

* cited by examiner

Primary Examiner—Adir Aronovich

(74) *Attorney, Agent, or Firm*—Fitzpatrick, Cella, Harper & Scinto

(57) **CLAIM**

The ornamental design for a digital camera, as shown and described.

DESCRIPTION

FIG. 1 is a front view of a digital camera showing my new design;
FIG. 2 is a rear view thereof;
FIG. 3 is a top plan view thereof;
FIG. 4 is a bottom plan view thereof;
FIG. 5 is a left side view thereof;
FIG. 6 is a right side view thereof; and,
FIG. 7 is a perspective view thereof.

1 Claim, 3 Drawing Sheets

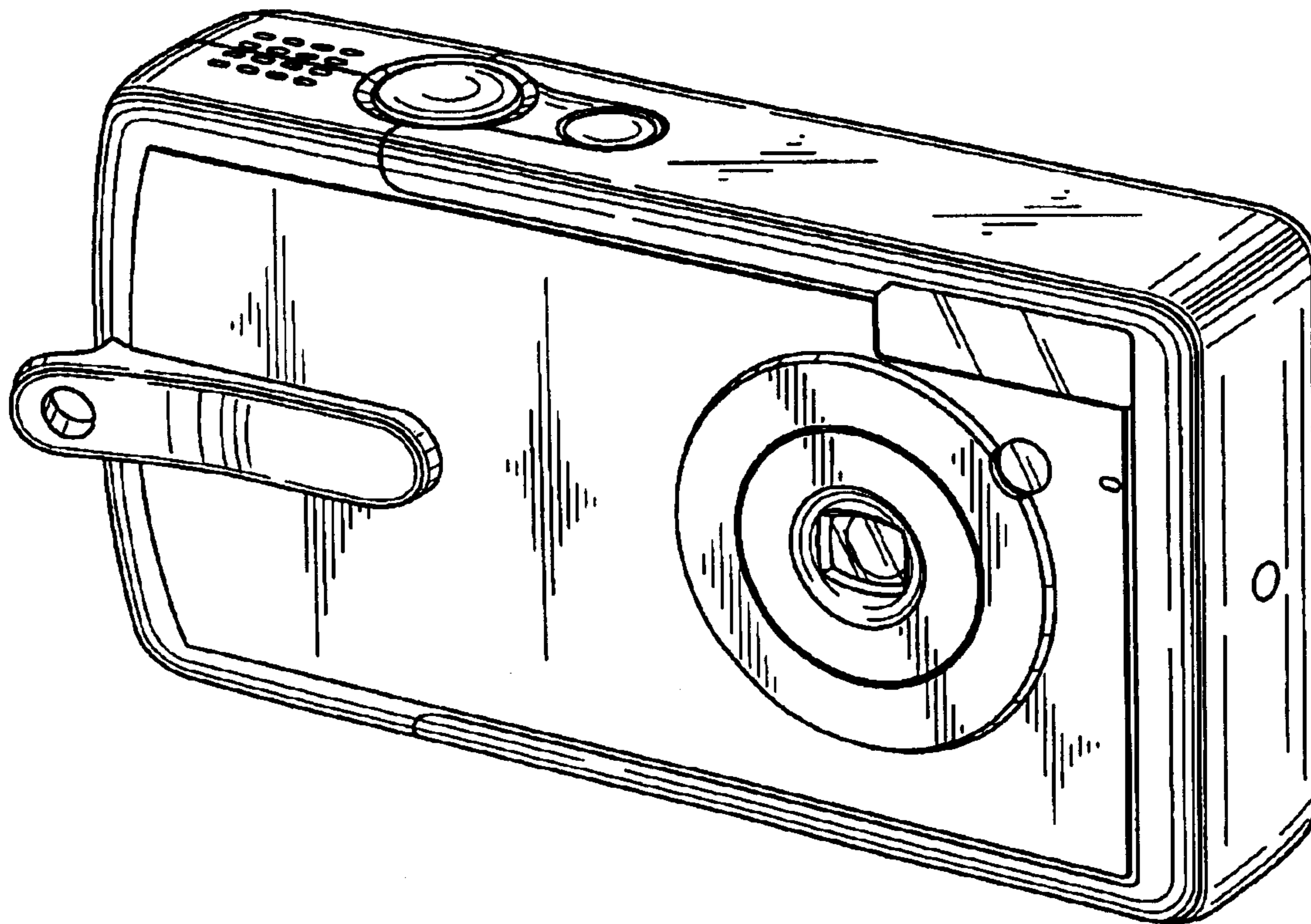


FIG. 1

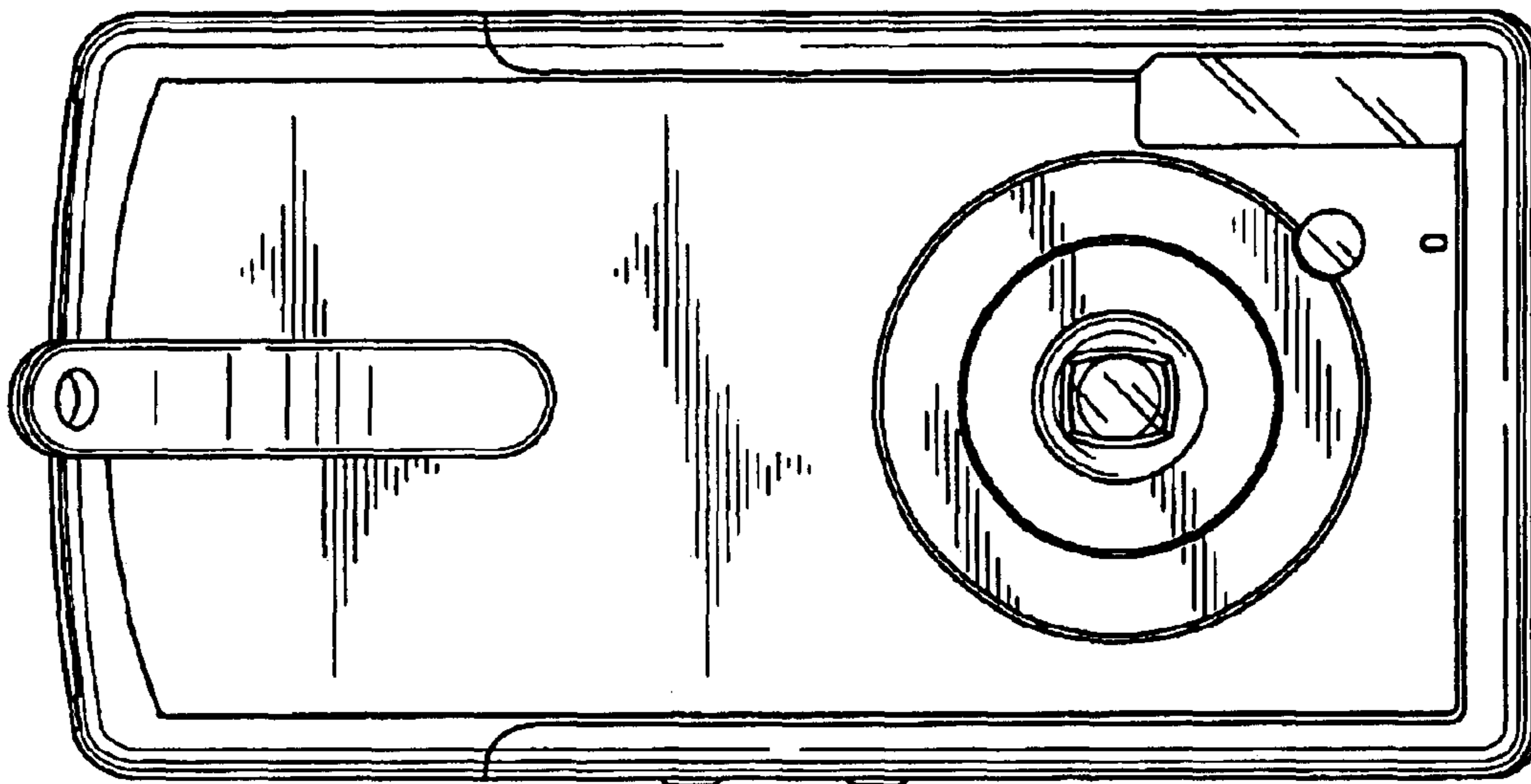


FIG. 2

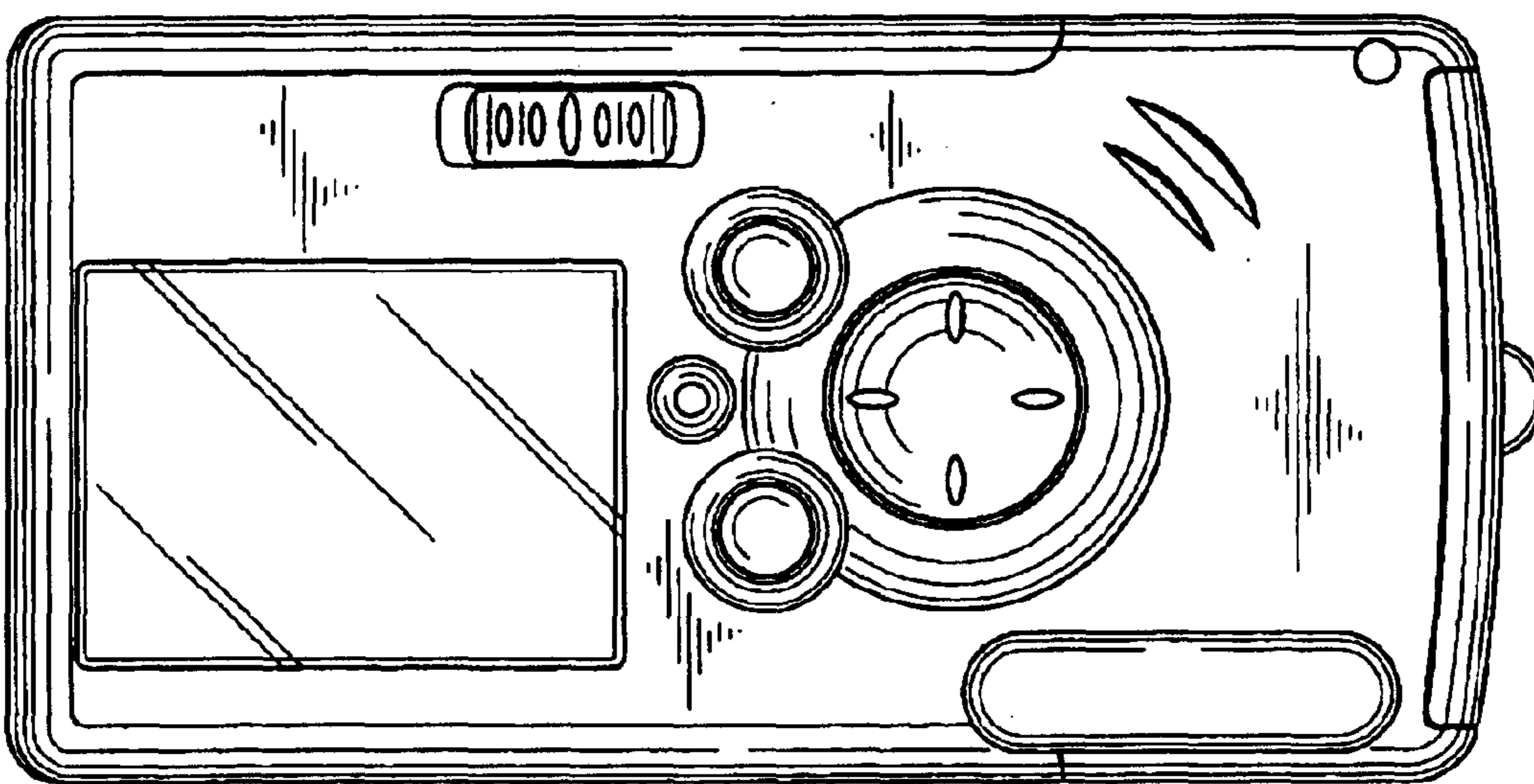


FIG. 3

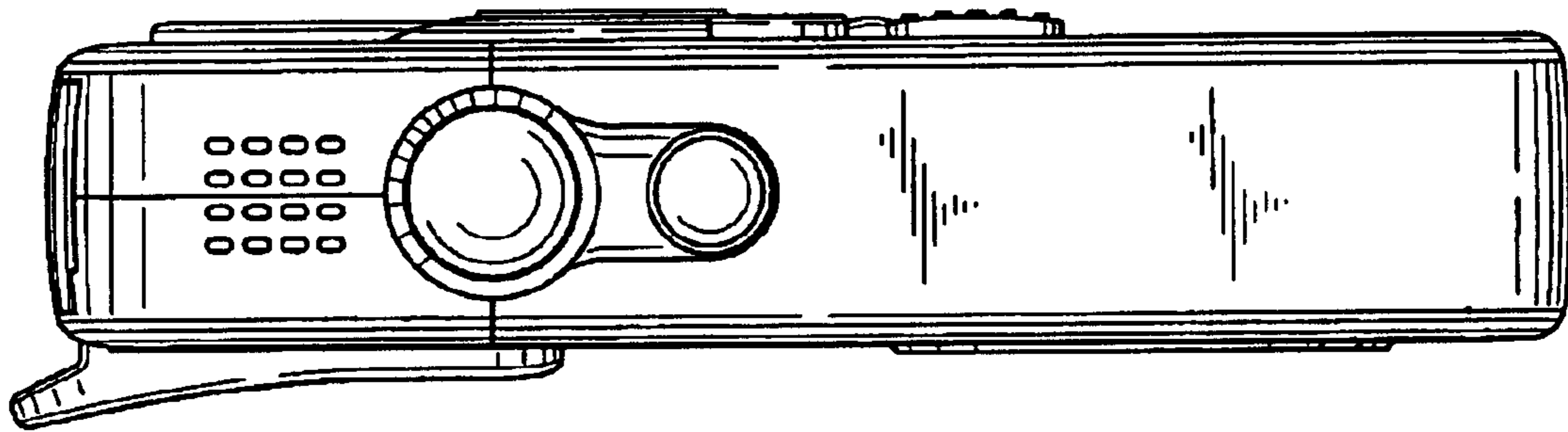


FIG. 4

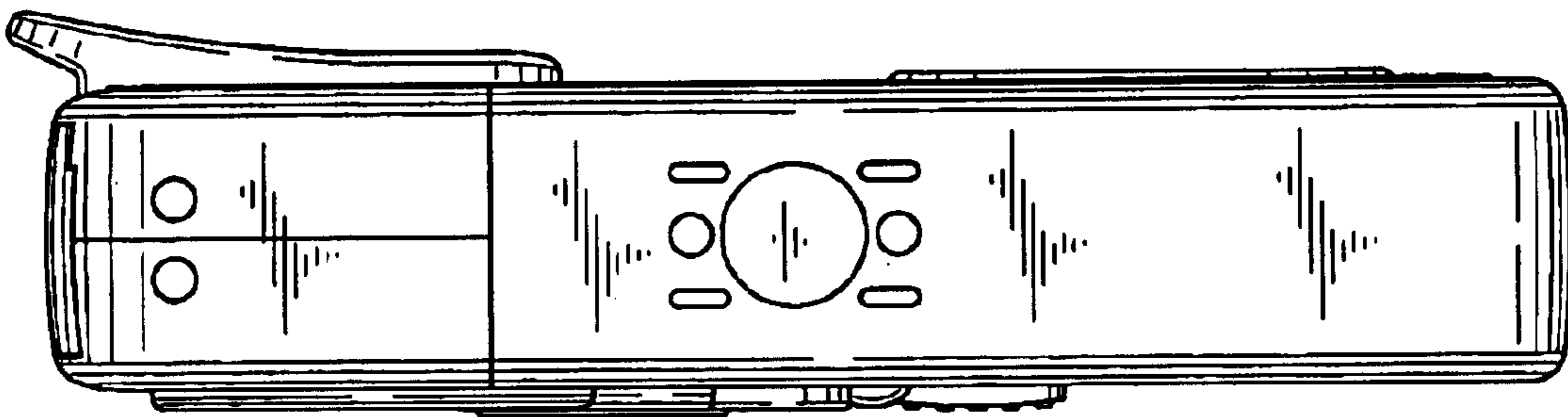


FIG. 5

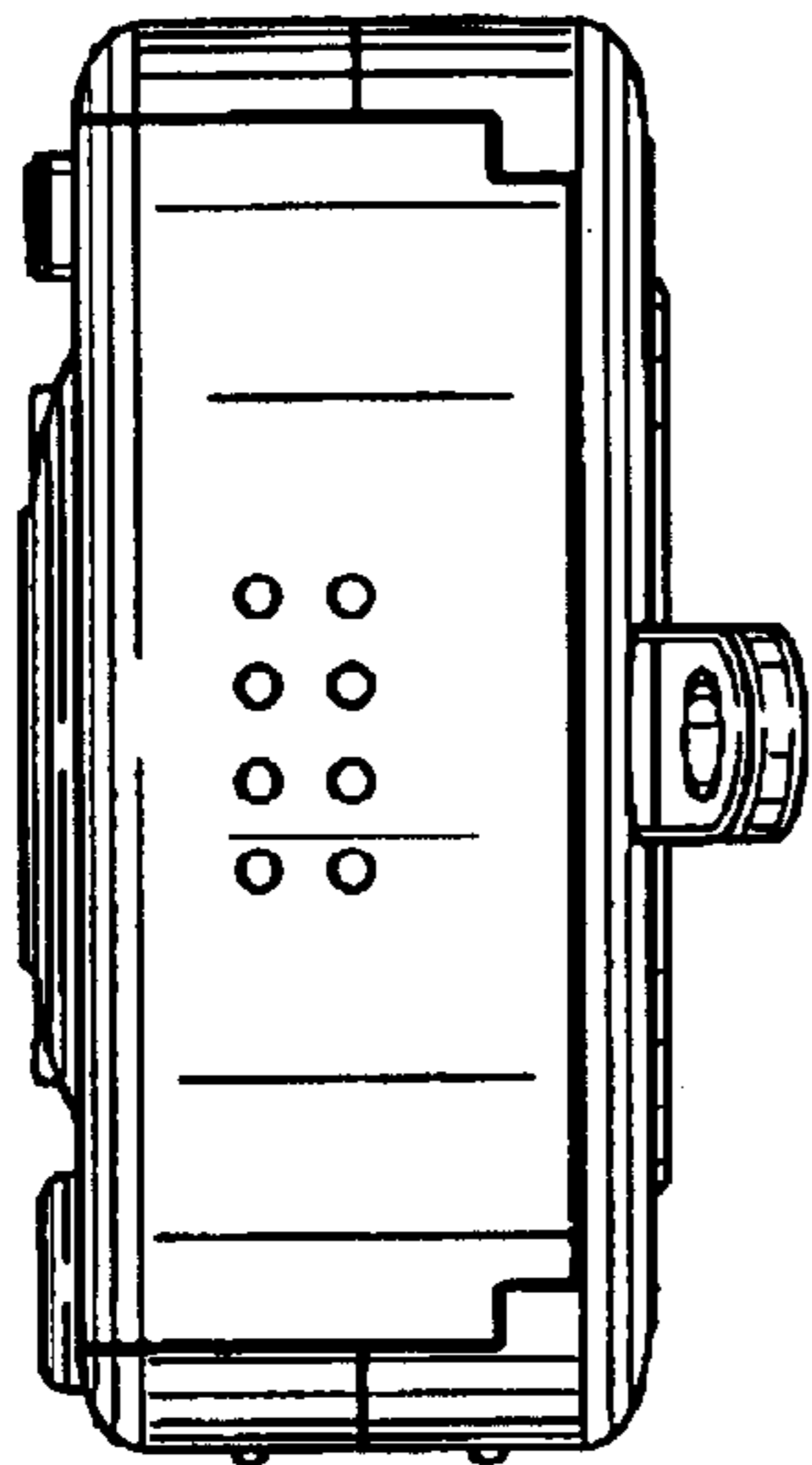


FIG. 6

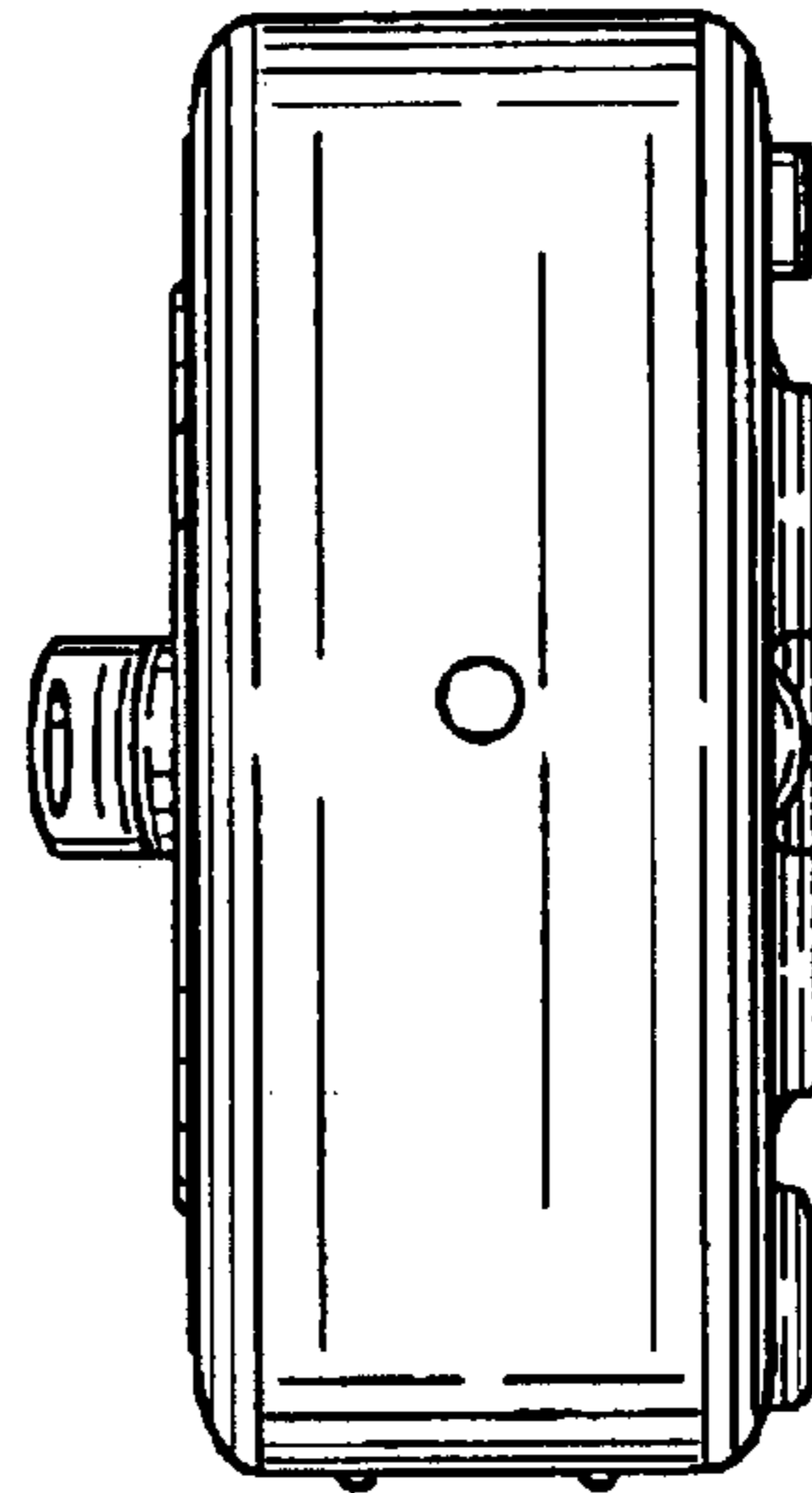


FIG. 7

