

US00D496372S1

(12) **United States Design Patent**
Sato et al.

(10) **Patent No.:** **US D496,372 S**

(45) **Date of Patent:** **** Sep. 21, 2004**

(54) **REFRIGERATOR**

D468,325 S * 1/2003 Lorek et al. D15/81
D483,044 S * 12/2003 Becke D15/81

(75) Inventors: **Hidehiko Sato**, Osaka-fu (JP); **Akihiro Mochizuki**, Osaka-fu (JP); **Ken Wakiya**, Osaka-fu (JP)

* cited by examiner

Primary Examiner—Mitchell Siegel

(73) Assignees: **Sanyo Electric Co., Ltd.**, Osaka-Fu (JP); **Sanyo Electric Biomedical Co., Ltd.**, Osaka-Fu (JP)

(74) *Attorney, Agent, or Firm*—Weingarten, Schurgin, Gagnebin & Lebovici LLP

(**) Term: **14 Years**

(57) **CLAIM**

The ornamental design for a refrigerator, as shown.

(21) Appl. No.: **29/180,746**

DESCRIPTION

(22) Filed: **Apr. 29, 2003**

(30) **Foreign Application Priority Data**

Oct. 31, 2002 (JP) 2002-029761
Oct. 31, 2002 (JP) 2002-029763
Oct. 31, 2002 (JP) 2002-029764

FIG. 1 is a front view of a refrigerator;
FIG. 2 is a rear view thereof;
FIG. 3 is a top view thereof;
FIG. 4 is a bottom view thereof,
FIG. 5 is a right side view thereof;
FIG. 6 is a left side view thereof;
FIG. 7 is a front view of a refrigerator with the door in an open position;
FIG. 8 is an enlarged perspective view of the operating display;
FIG. 9 is an enlarged perspective view of the latch handle;
FIG. 10 is a perspective view of FIG. 9 shown in an alternate position;
FIG. 11 is a perspective view of FIG. 9 shown in yet another alternate position; and,
FIG. 12 is a perspective view of FIG. 1.

(51) **LOC (7) Cl.** **15-07**

(52) **U.S. Cl.** **D15/81**

(58) **Field of Search** D15/79-97; 62/245,
62/248, 251, 275, 440, 441, 449; 312/116,
138.1, 401, 402, 405, 405.1

(56) **References Cited**

U.S. PATENT DOCUMENTS

5,600,966 A * 2/1997 Valence et al. 62/440
D440,987 S * 4/2001 Okamoto et al. D15/81

1 Claim, 6 Drawing Sheets

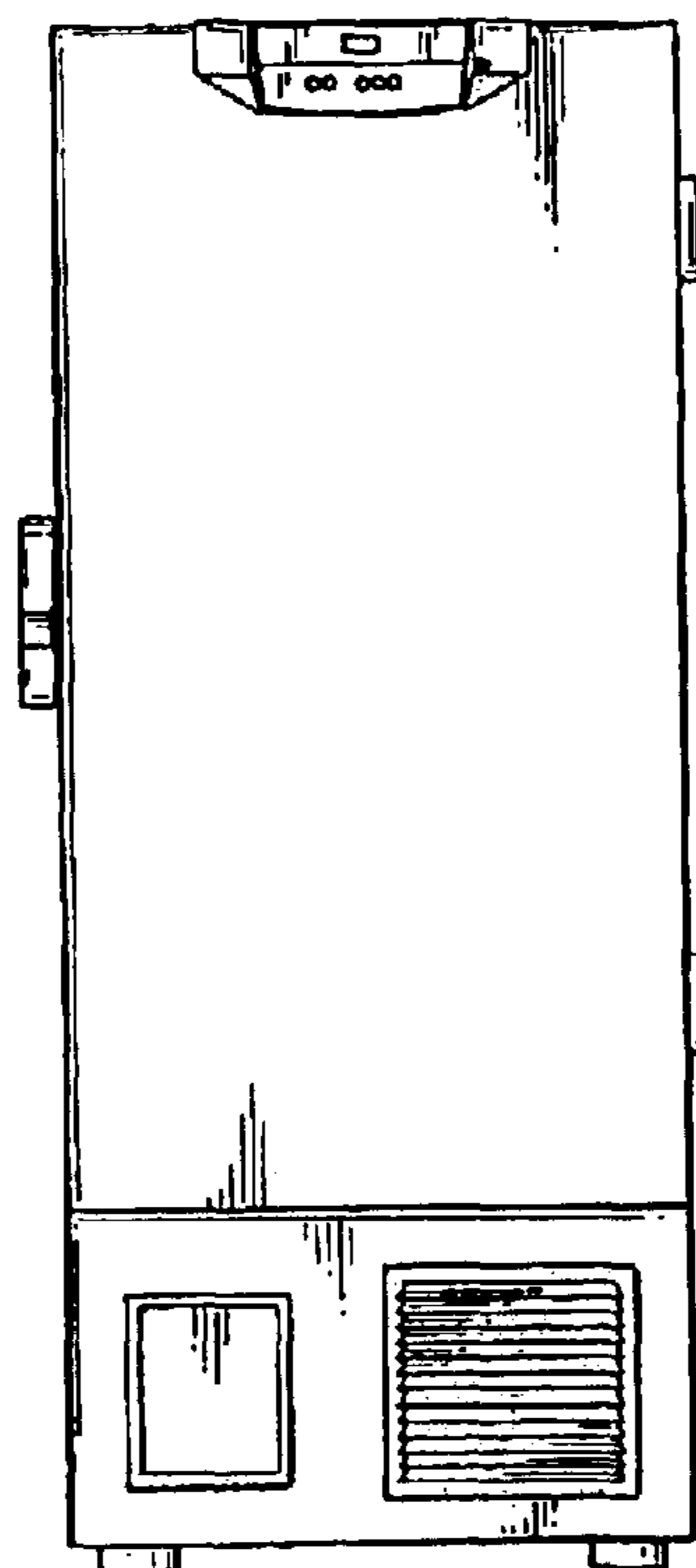


Fig. 1

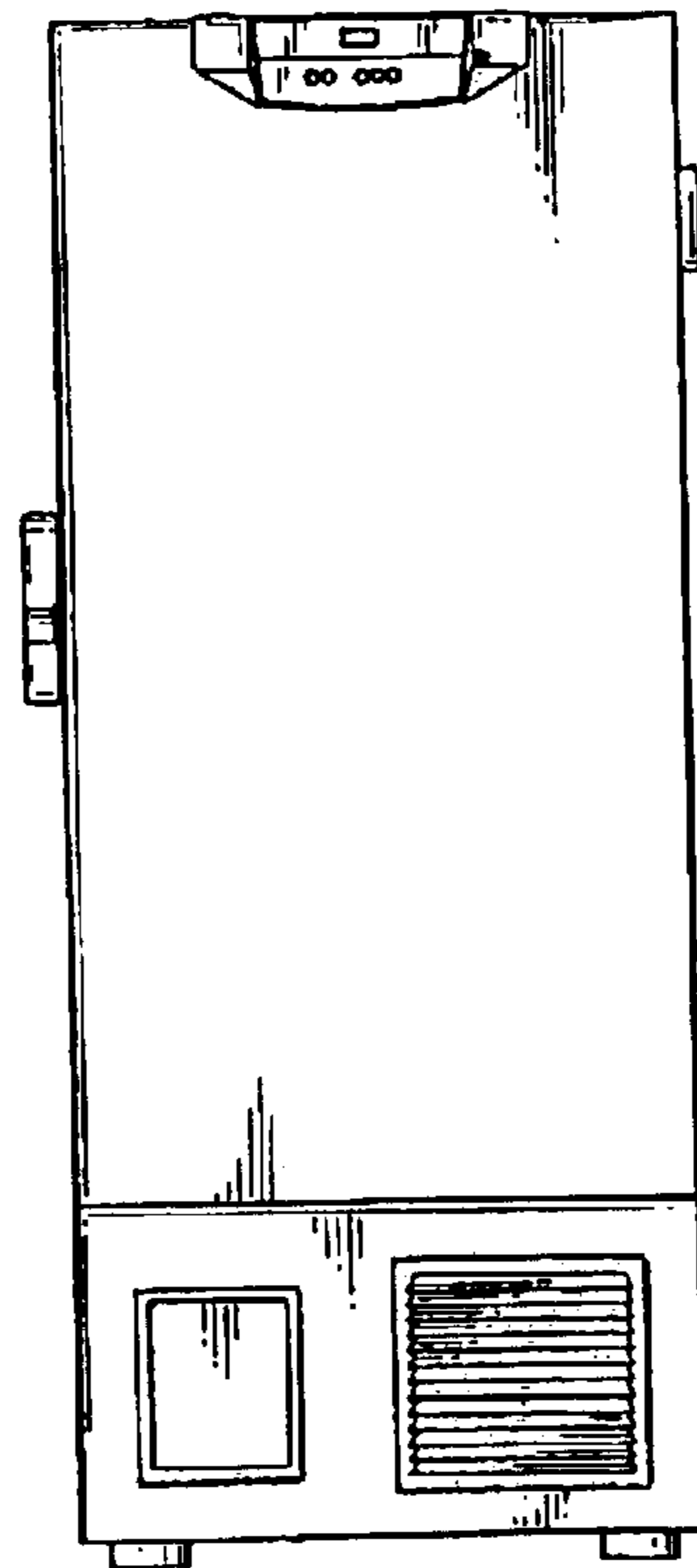


Fig. 2

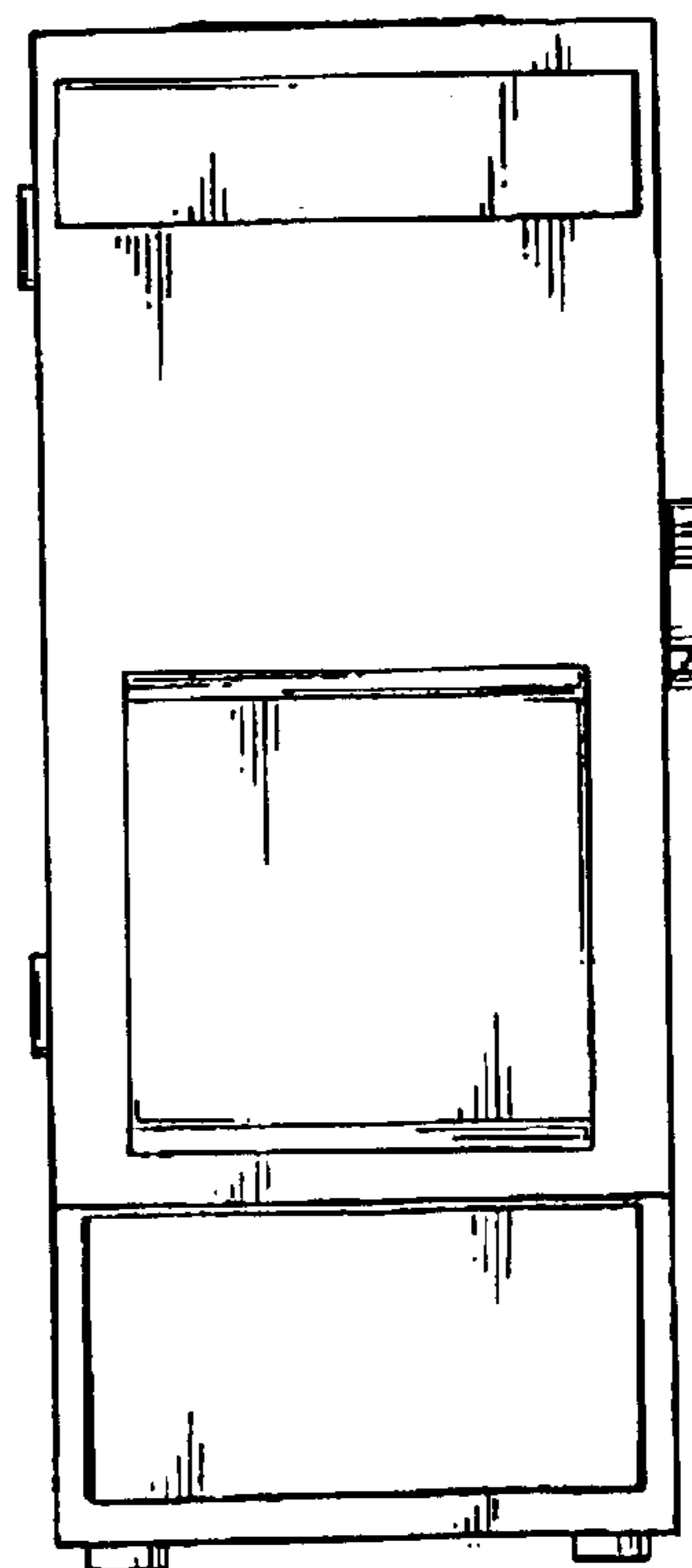


Fig. 3

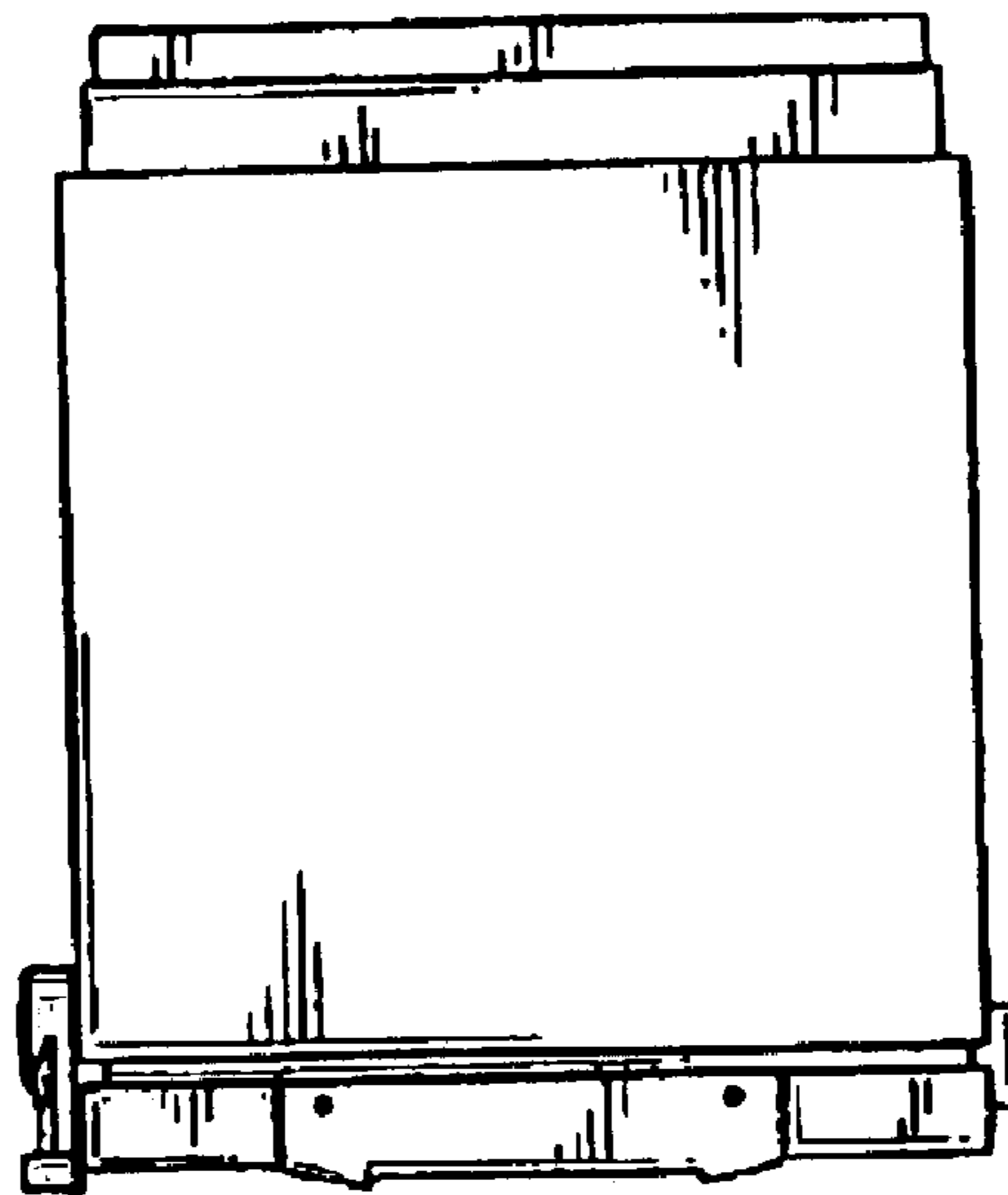


Fig. 4

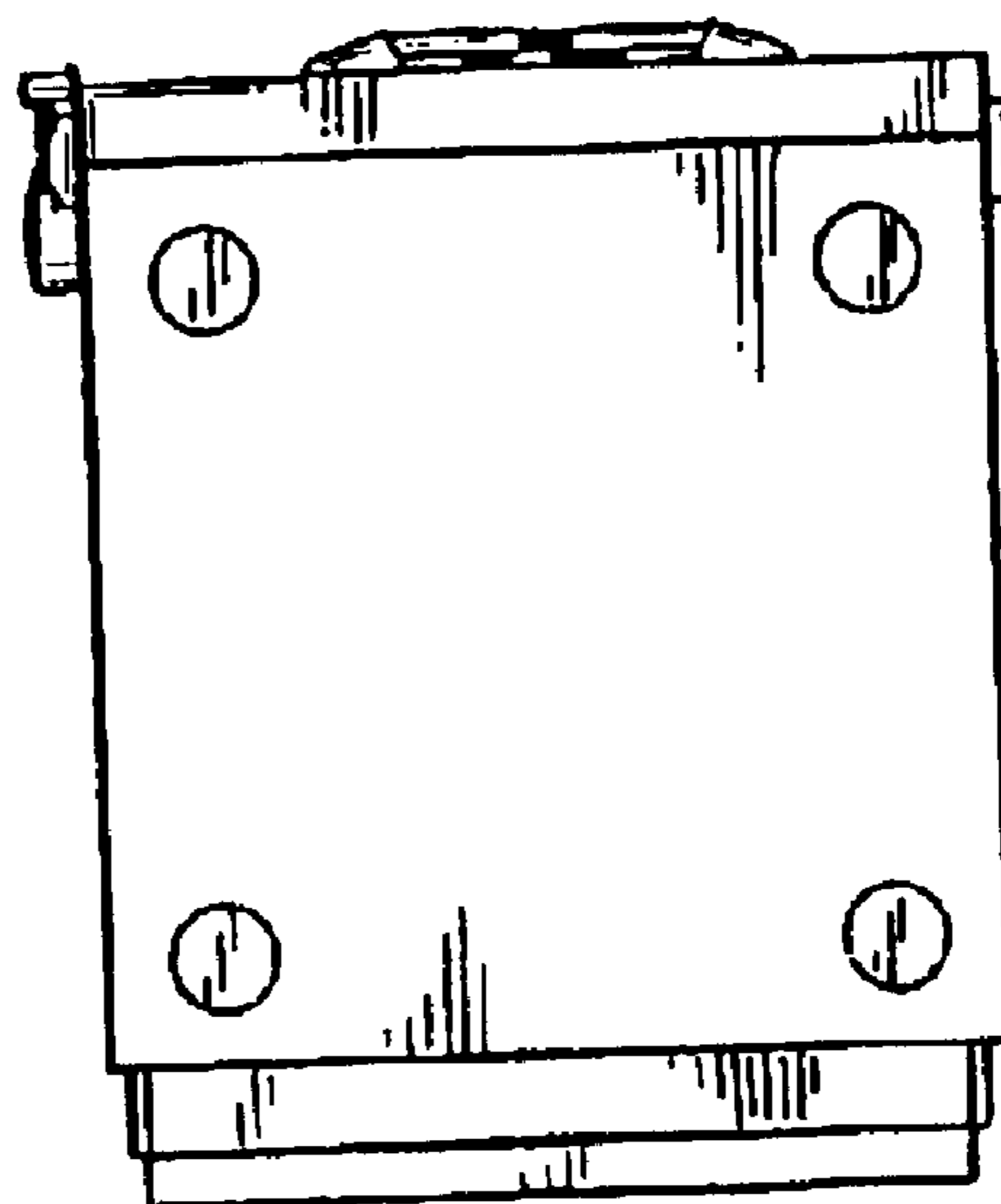


Fig. 5

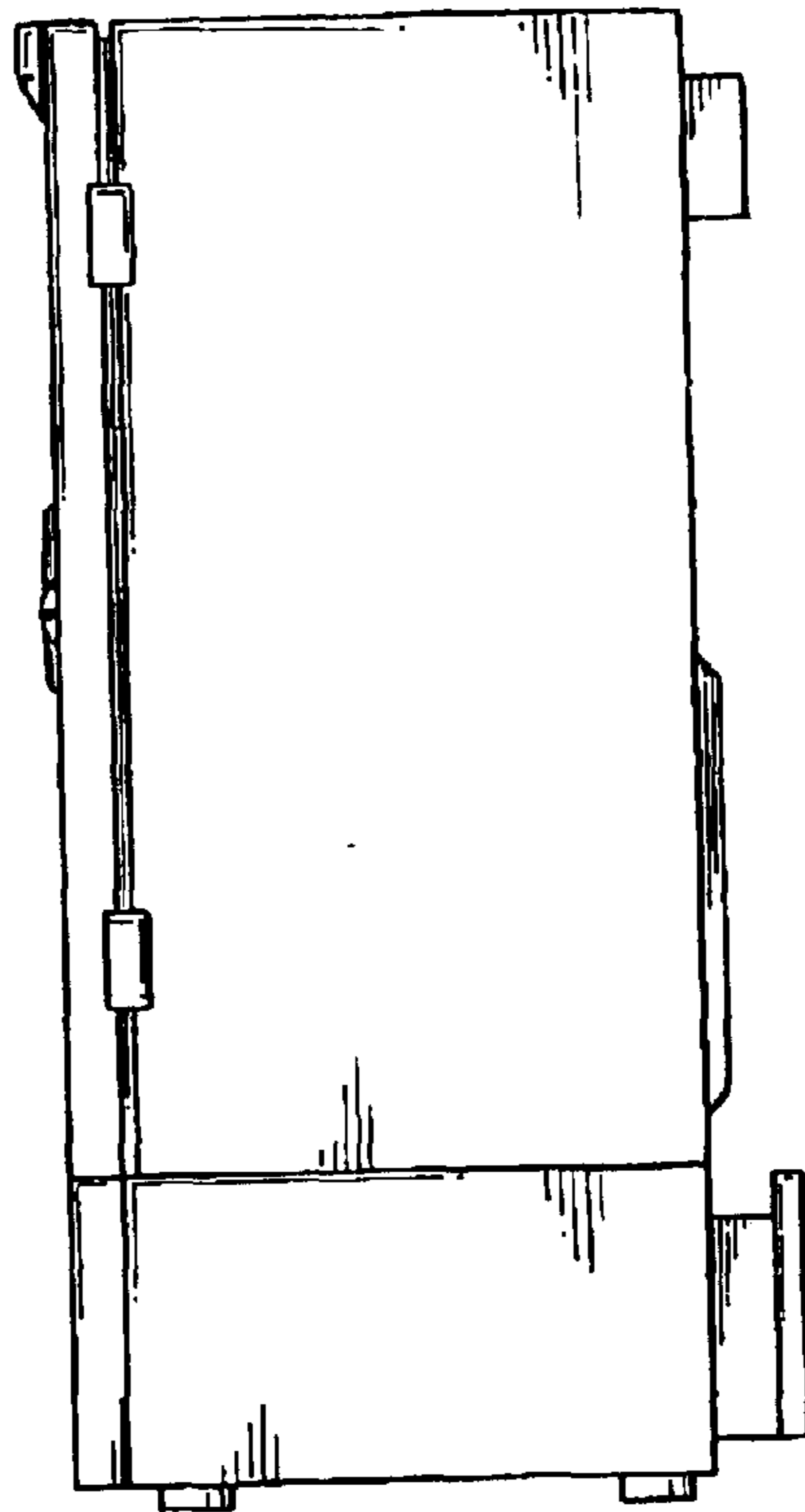


Fig. 6

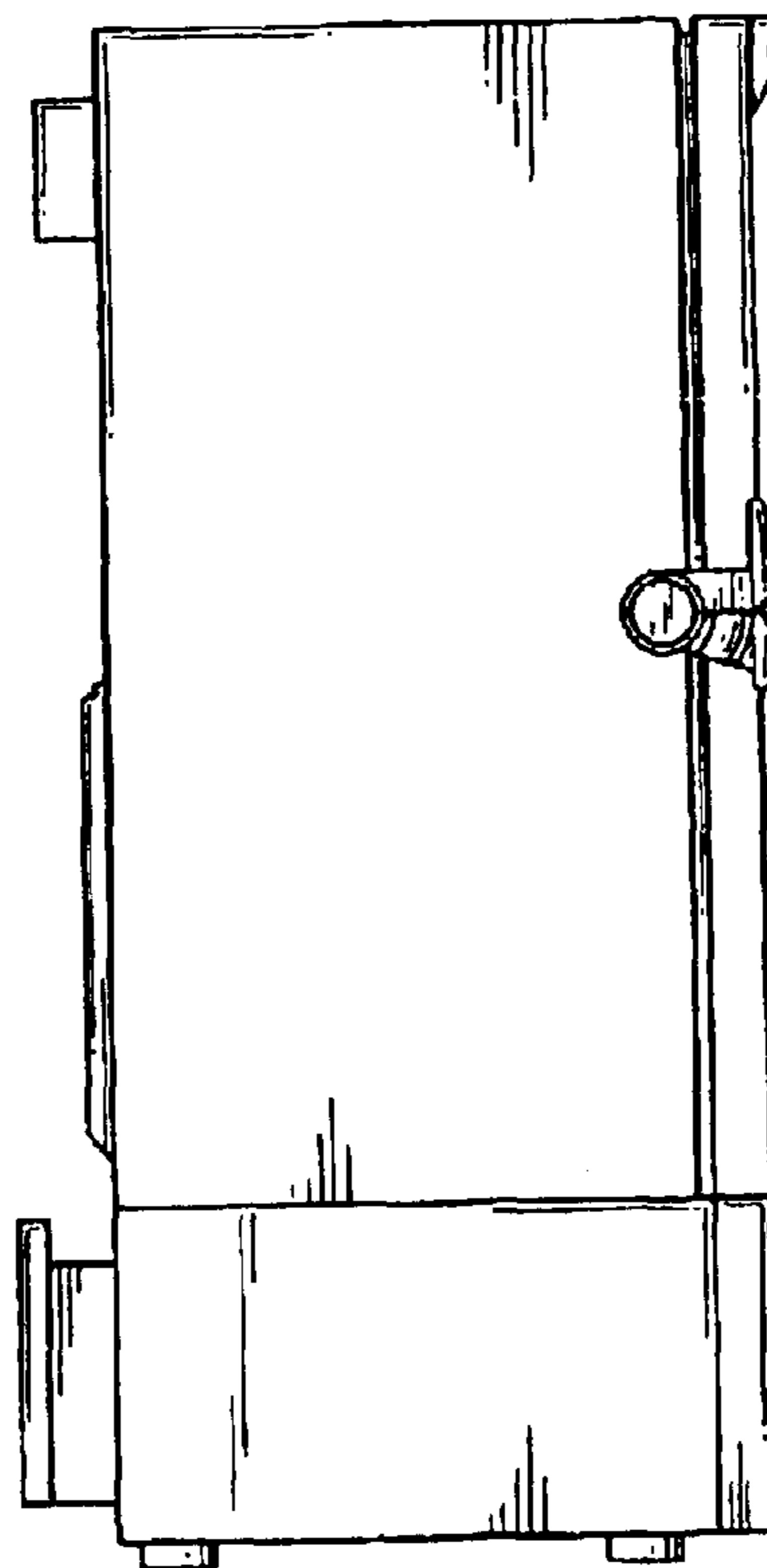


Fig. 7

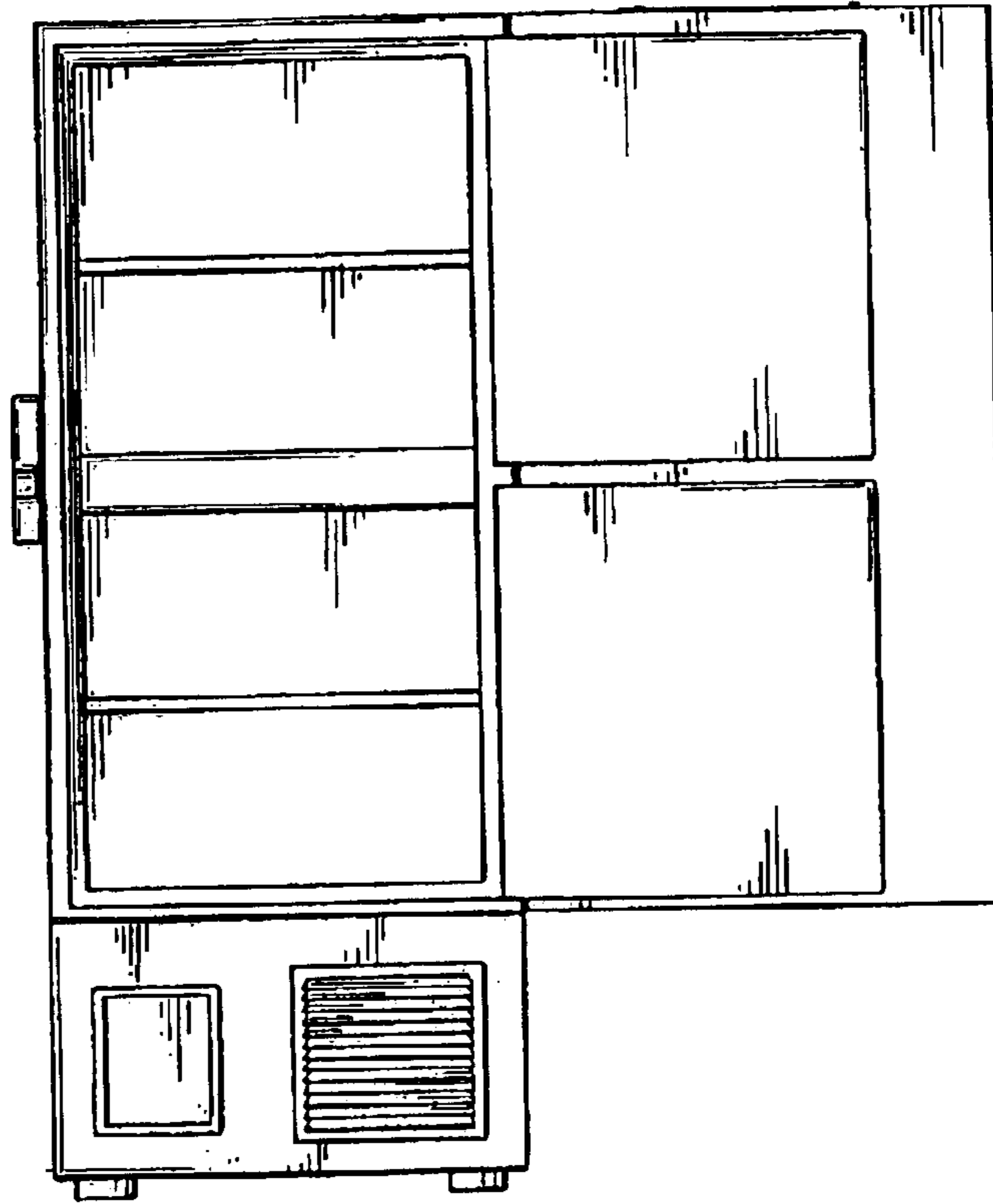


Fig. 8

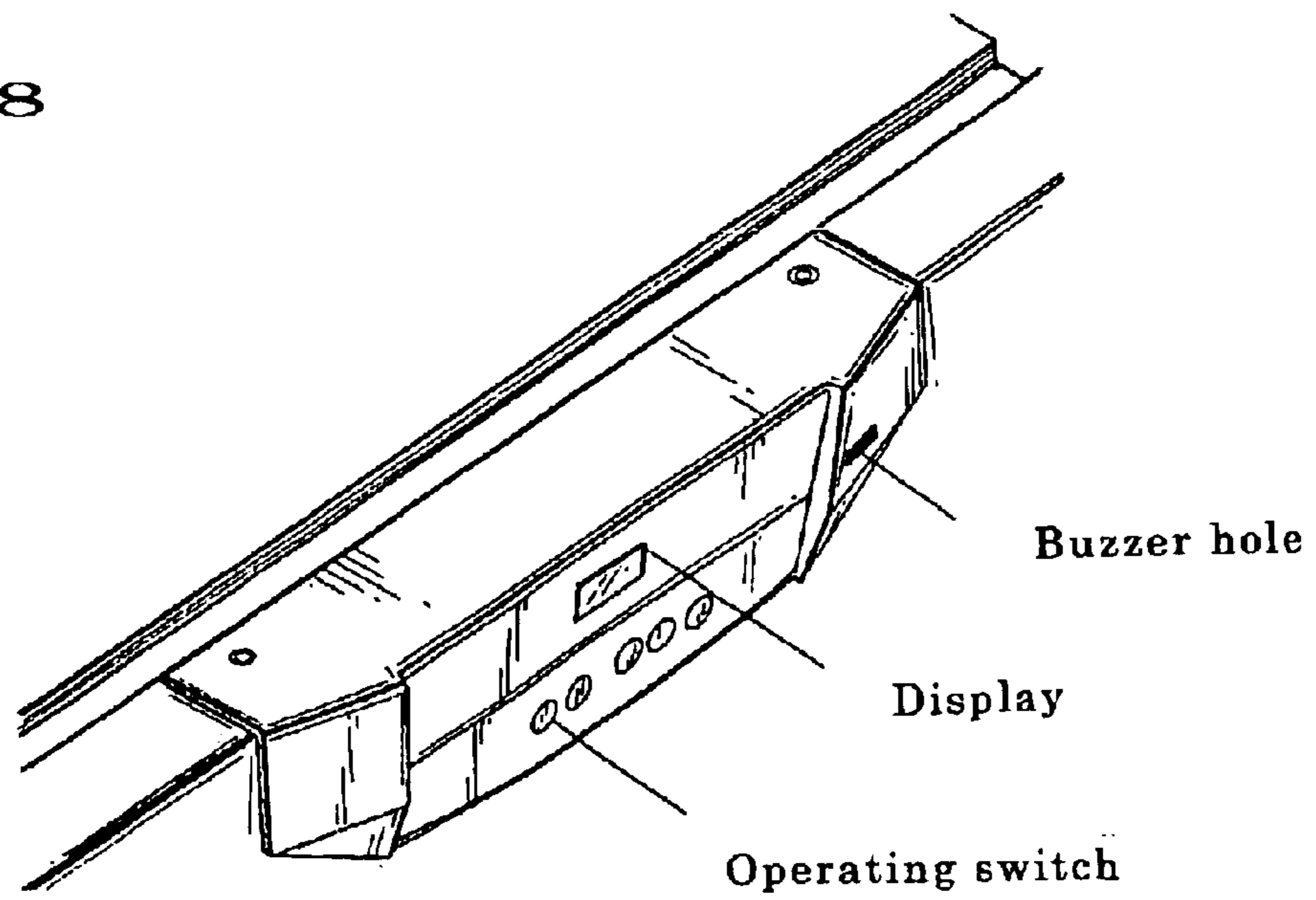


Fig. 9

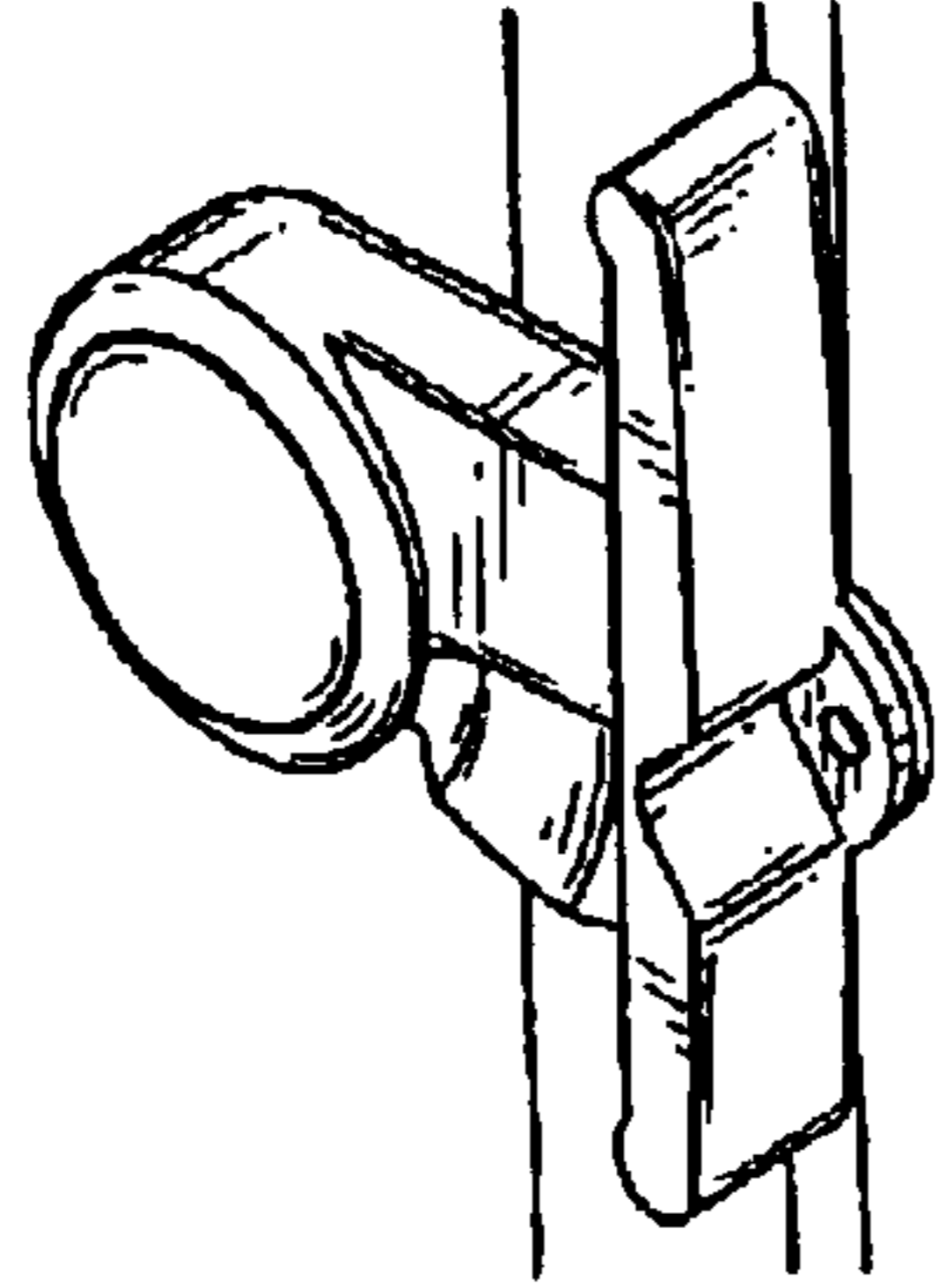


Fig. 10

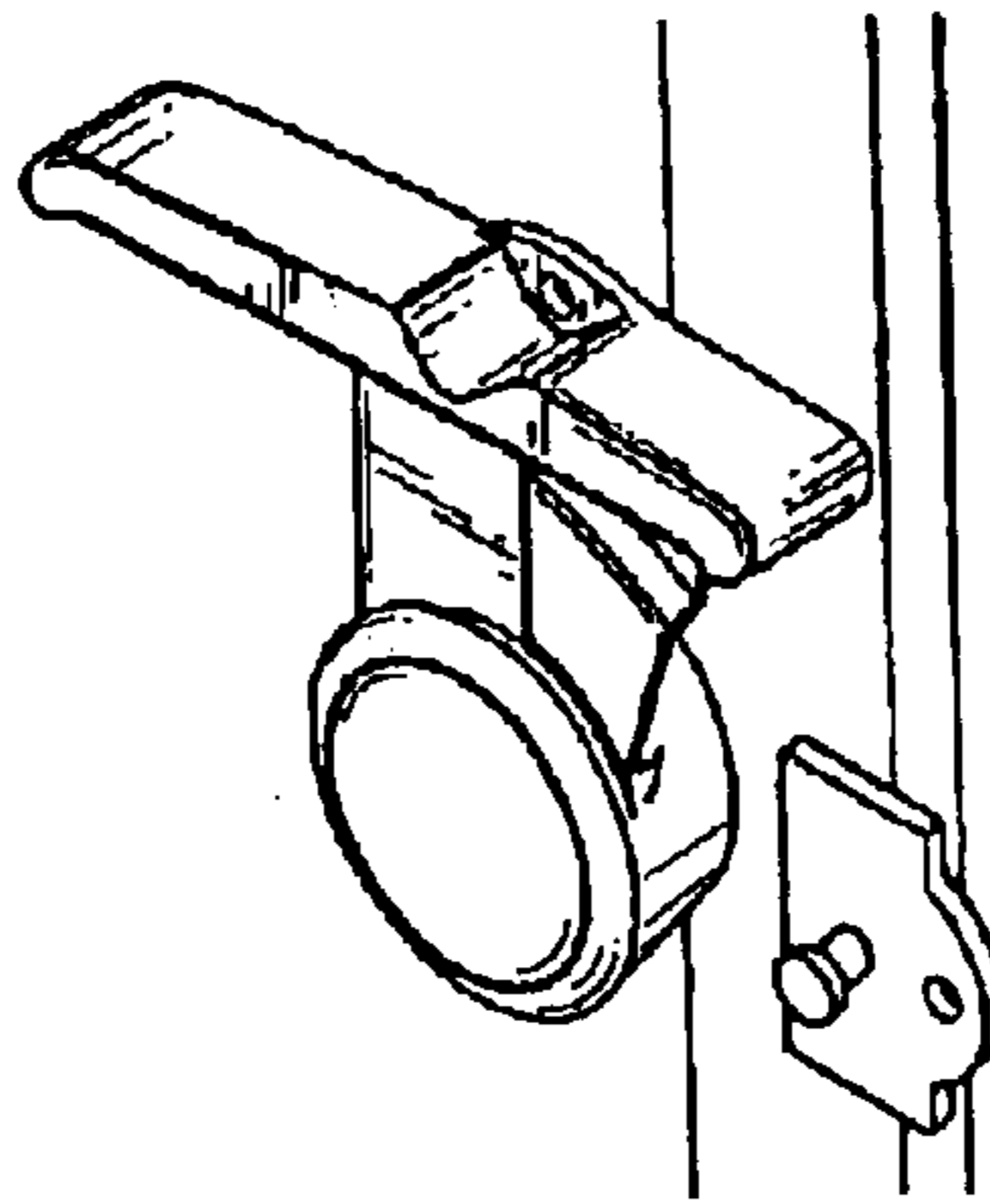


Fig. 11

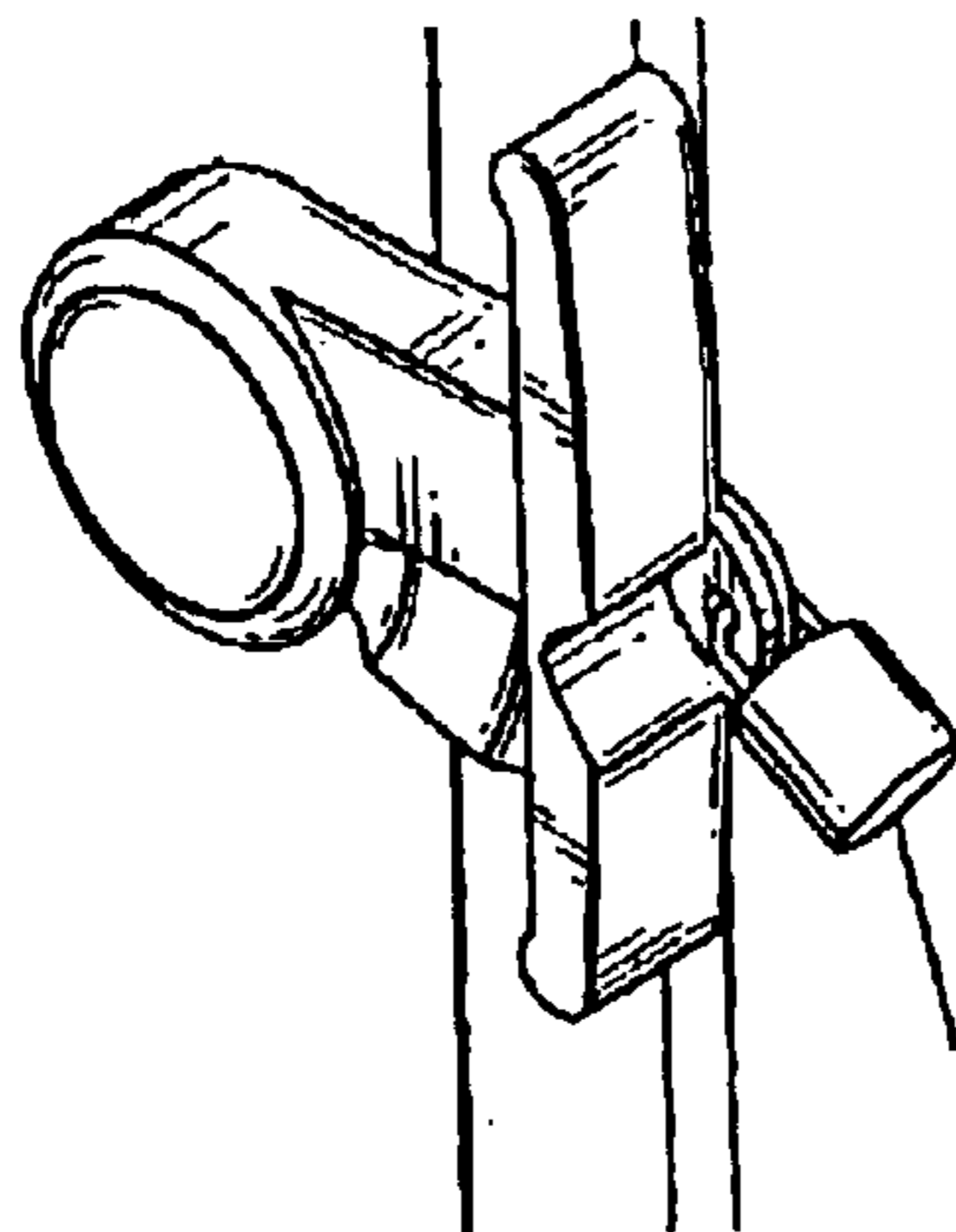


Fig. 12

