

US00D496369S1

(12) **United States Design Patent**
Nonomura

(10) **Patent No.:** **US D496,369 S**

(45) **Date of Patent:** **** Sep. 21, 2004**

(54) **TAPE SPOOL SUPPORT FOR TAPE CARTRIDGE**

(75) **Inventor:** **Yoshihito Nonomura, Gifu (JP)**

(73) **Assignee:** **Brother Industries, Ltd., Nagoya (JP)**

(**) **Term:** **14 Years**

(21) **Appl. No.:** **29/181,300**

(22) **Filed:** **May 9, 2003**

Related U.S. Application Data

(62) Division of application No. 29/143,462, filed on Jun. 15, 2001, now Pat. No. Des. 477,607.

(30) **Foreign Application Priority Data**

Dec. 20, 2000	(JP)	2000-36415
Dec. 20, 2000	(JP)	2000-36416
Dec. 20, 2000	(JP)	2000-36417
Dec. 20, 2000	(JP)	2000-36418
Dec. 20, 2000	(JP)	2000-36419
Dec. 20, 2000	(JP)	2000-36420
Dec. 20, 2000	(JP)	2000-36421

(51) **LOC (7) Cl.** **14-99**

(52) **U.S. Cl.** **D14/484**

(58) **Field of Search** D14/474-484,
D14/496, 161, 164; 360/131, 137, 134,
132; 342/327, 335, 338, 348, 354.358,
358.1, 347, 343.2, 376, 345.2, 377, 382,
385, 382.6, 899, DIG. 1, 118; 369/292

(56) **References Cited**

U.S. PATENT DOCUMENTS

2,925,164 A	*	2/1960	Murphy	400/243
3,004,482 A	*	10/1961	Muller	396/411
3,042,180 A	*	7/1962	Bishop	400/243

3,423,041 A	*	1/1969	Steisslinger et al.	396/413
3,685,767 A		8/1972	Kakiuchi et al.		
3,701,178 A		10/1972	Kuntz		
3,897,027 A		7/1975	Bolick Jr.		
4,062,716 A		12/1977	Galantine et al.		
4,239,166 A		12/1980	Daitoku		
D277,568 S		2/1985	Ogata et al.		
D282,357 S		1/1986	Gell		
4,610,555 A		9/1986	Di Luco		
5,337,973 A		8/1994	Matsumoto et al.		
D352,305 S		11/1994	Cooper		
5,645,242 A		7/1997	Kikuchi et al.		
5,671,893 A		9/1997	Sasaki		

* cited by examiner

Primary Examiner—Prabhakar Deshmukh

(74) *Attorney, Agent, or Firm*—Oliff & Berridge, PLC

(57) **CLAIM**

The ornamental design for a tape spool support for tape cartridge, as shown and described.

DESCRIPTION

FIG. 1 is a perspective view of a tape spool support for tape cartridge;

FIG. 2 is an enlarged perspective view thereof;

FIG. 3 is a top view thereof;

FIG. 4 is a left side view thereof;

FIG. 5 is a right side view thereof;

FIG. 6 is a front view thereof;

FIG. 7 is a rear view thereof;

FIG. 8 is an expanded cross-sectional view taken along the line 8—8 of FIG. 3; and,

FIG. 9 is an expanded cross-sectional view thereof taken along the line 9—9 of FIG. 3.

The broken lines define the bounds of the claimed design but form no part of the claimed design.

1 Claim, 5 Drawing Sheets

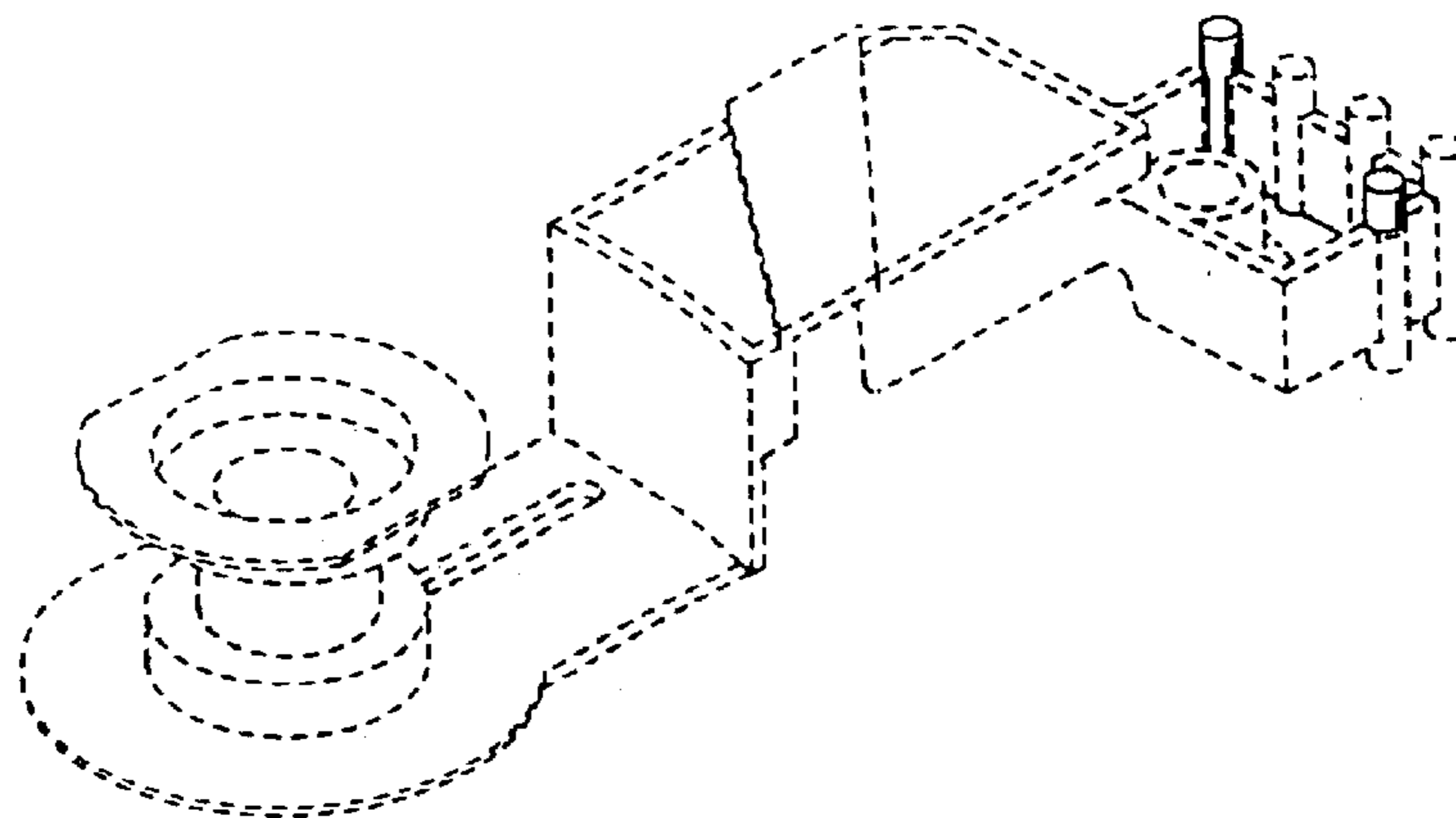


FIG. 1

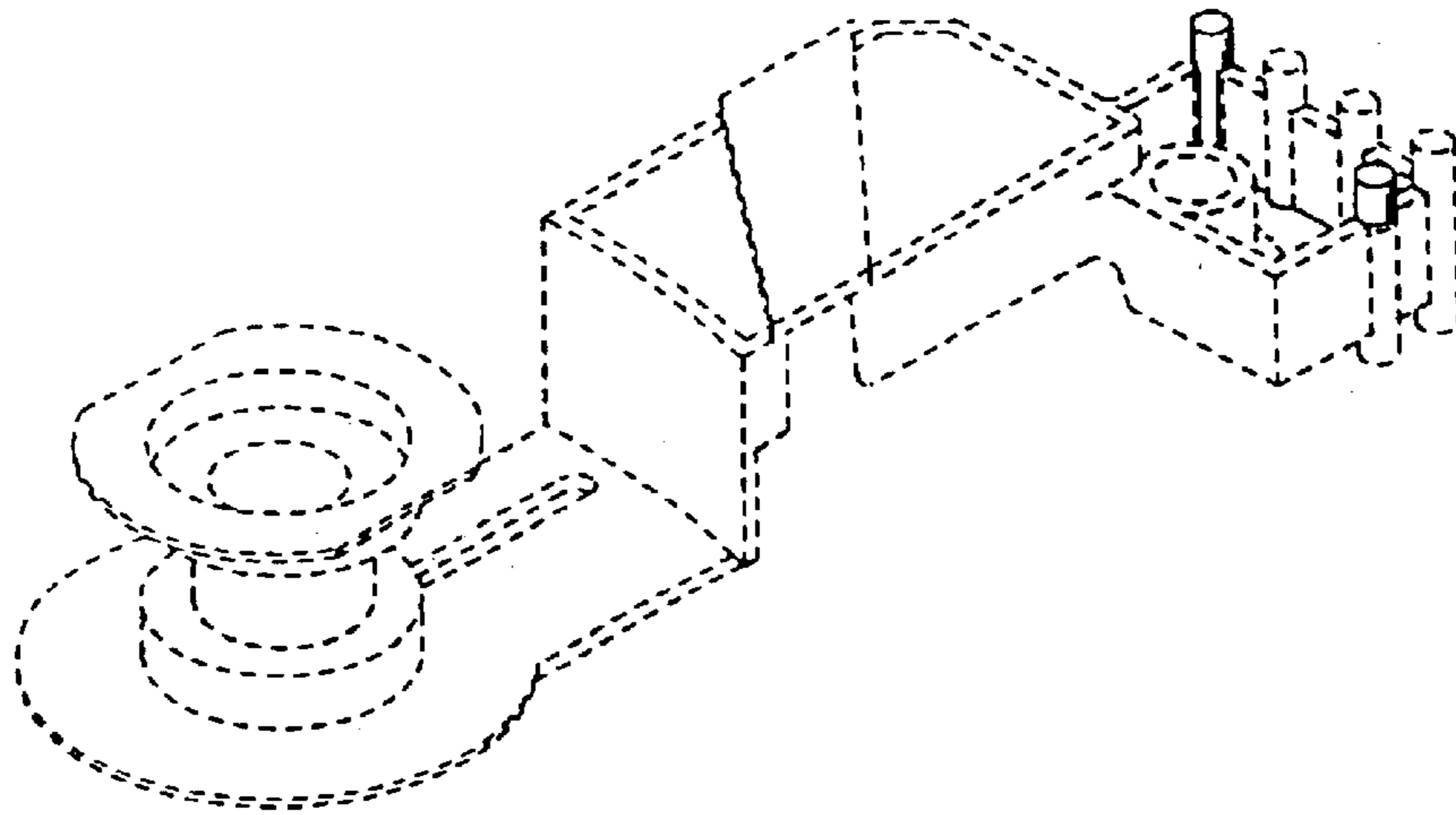


FIG. 2

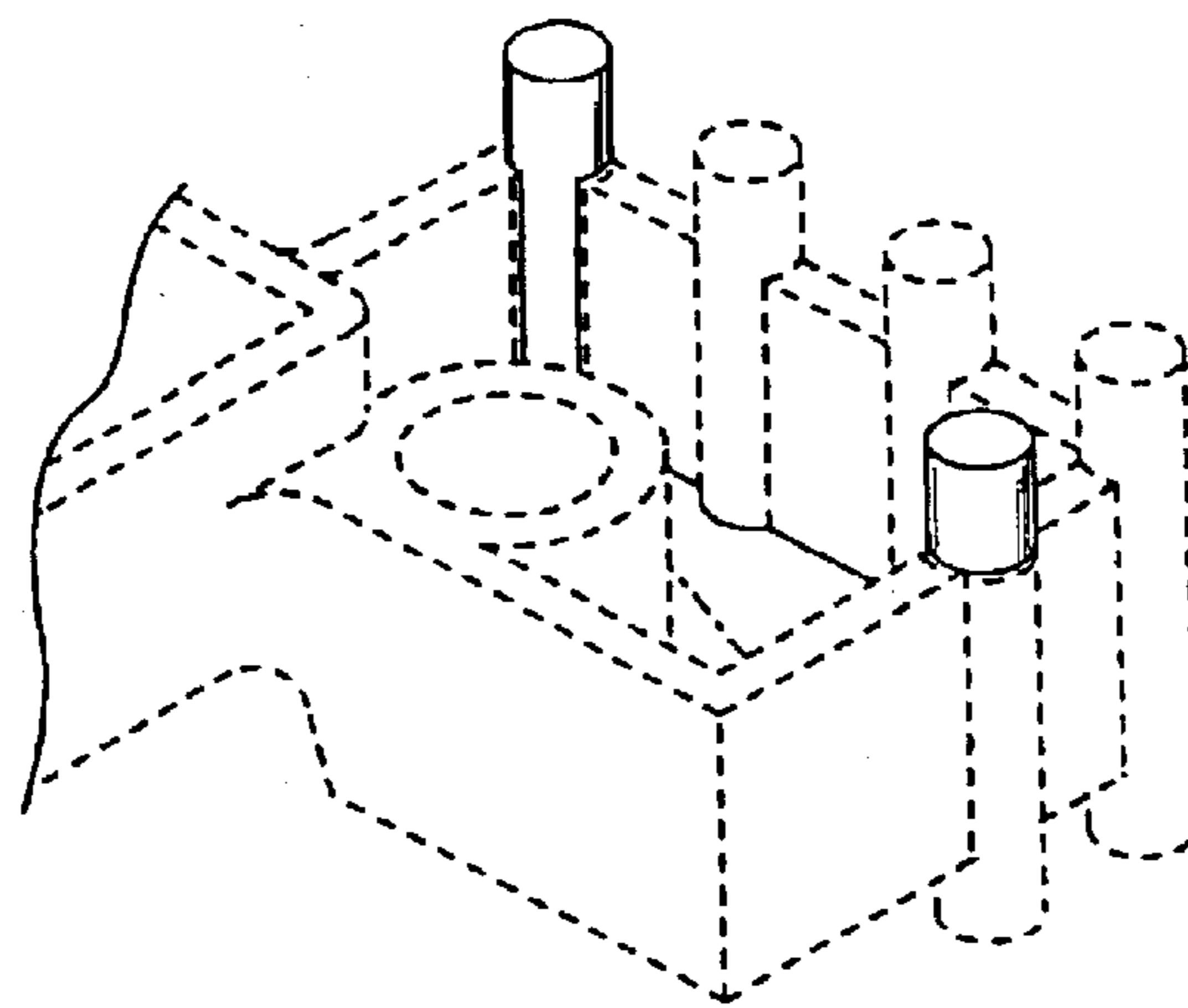


FIG. 3

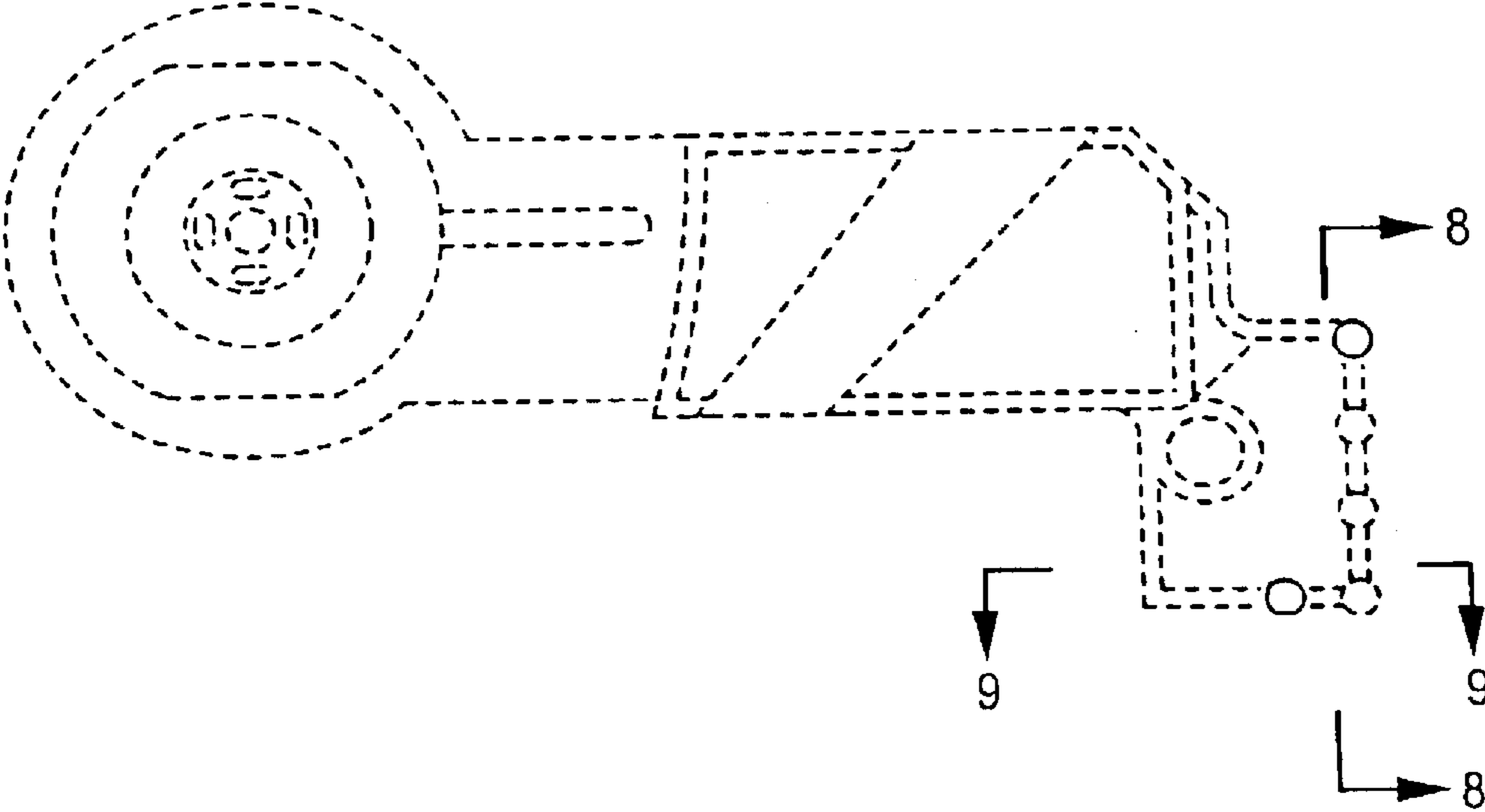


FIG. 4

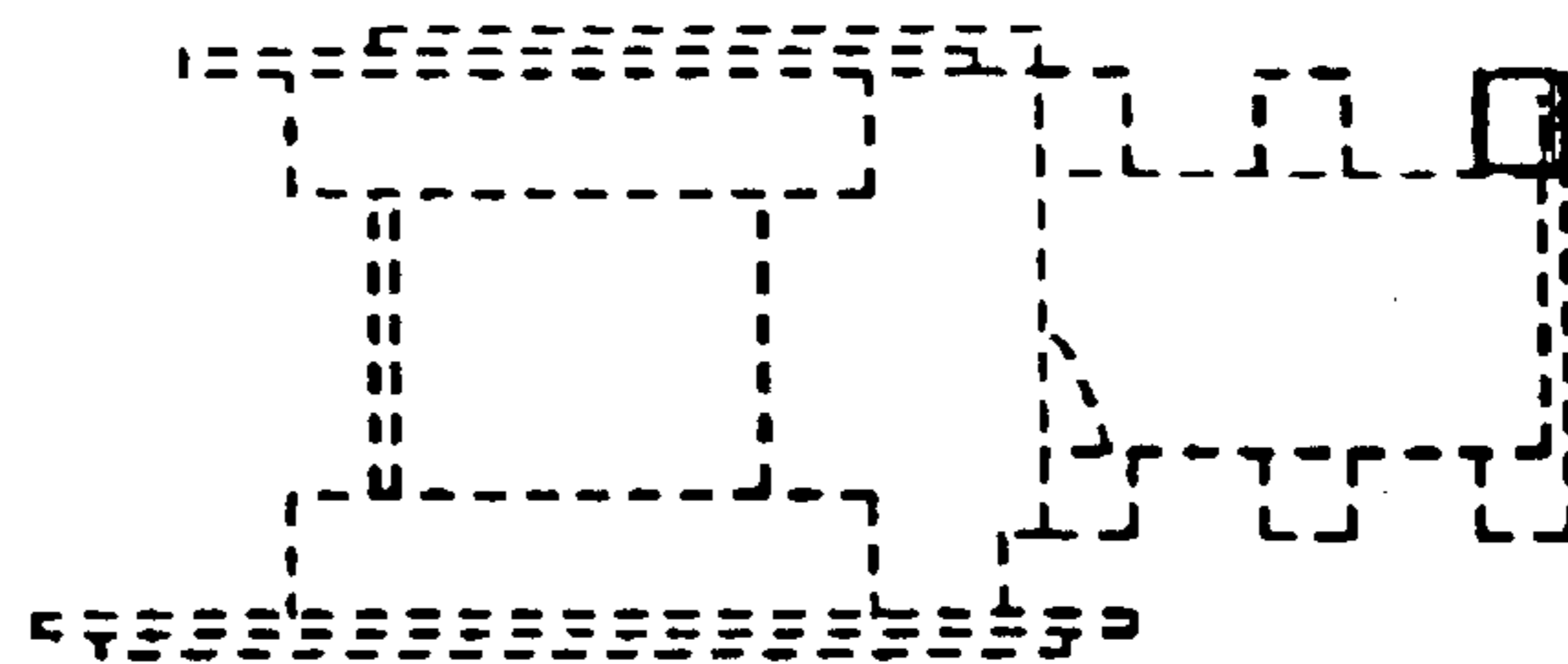


FIG. 5

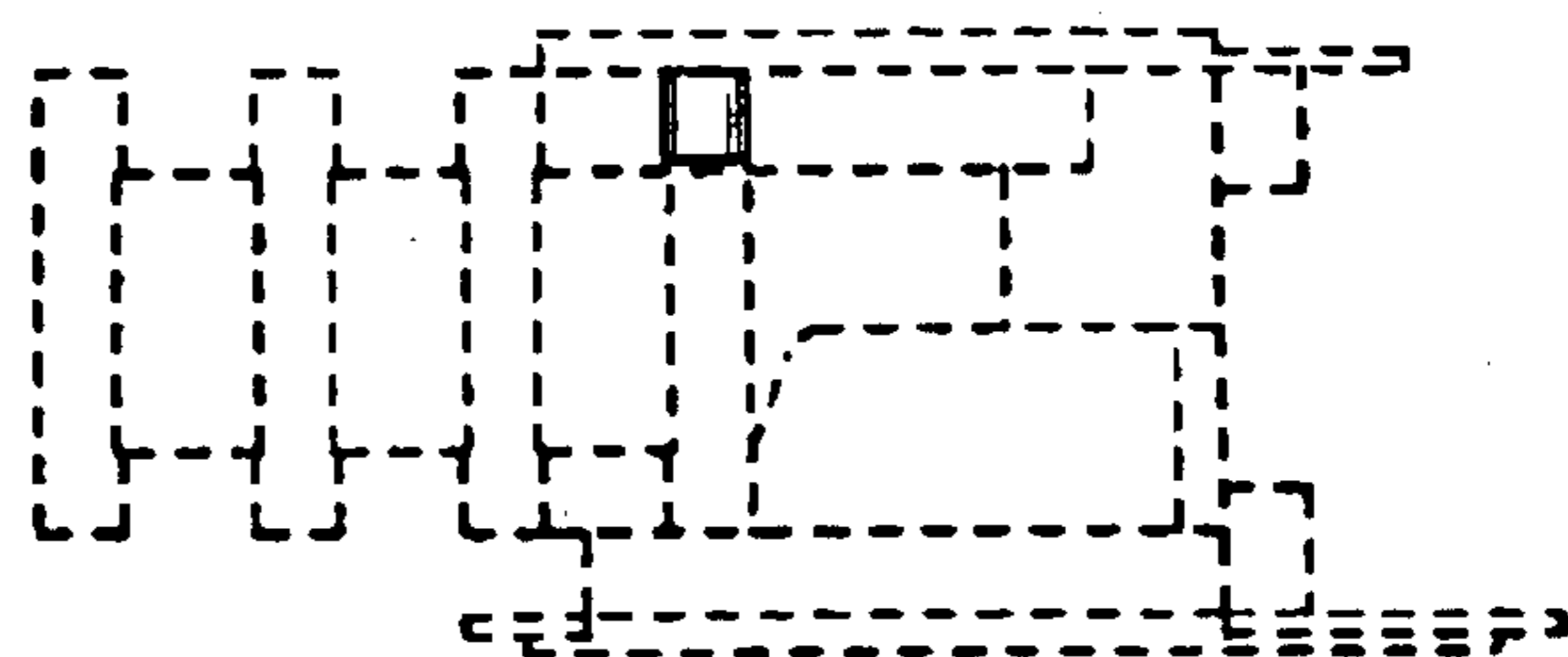


FIG. 6

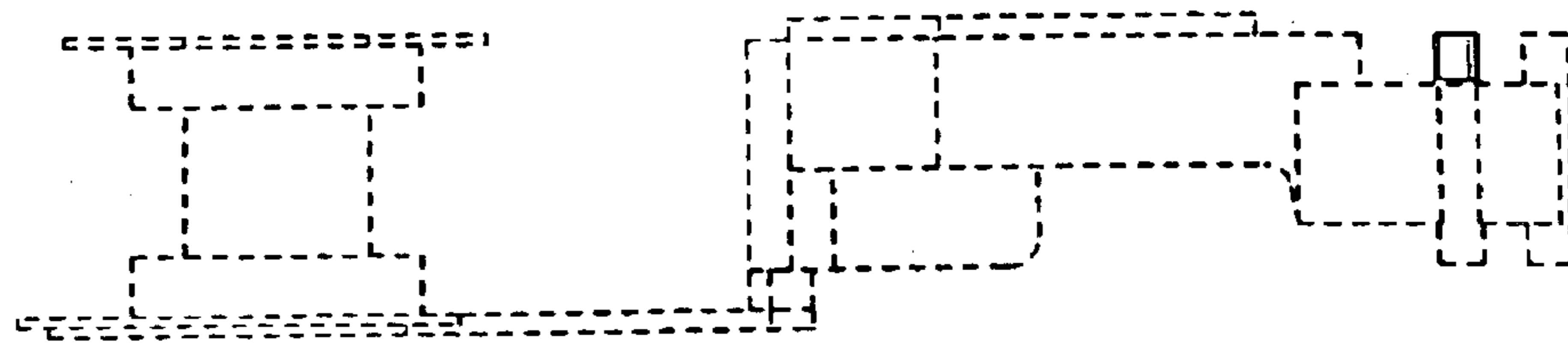


FIG. 7

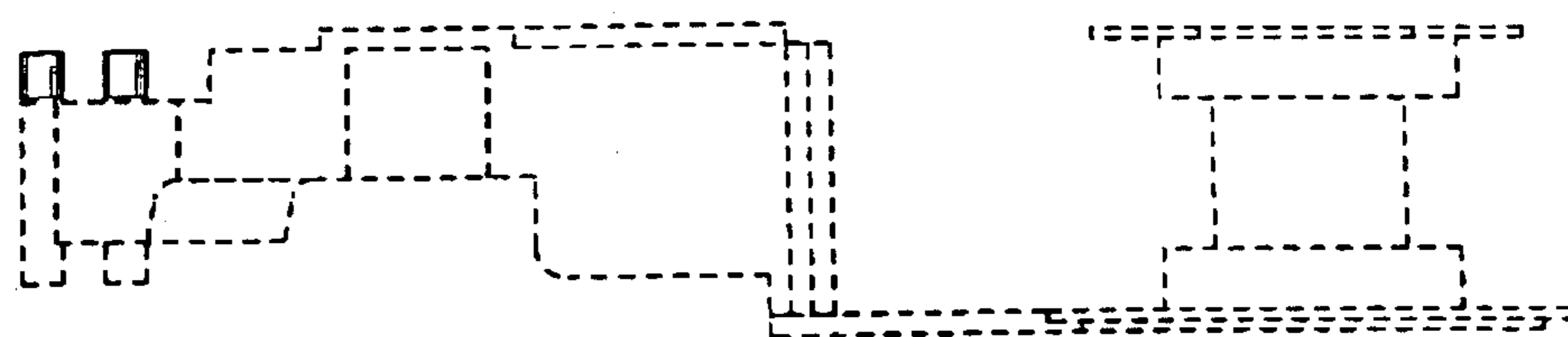


FIG. 8

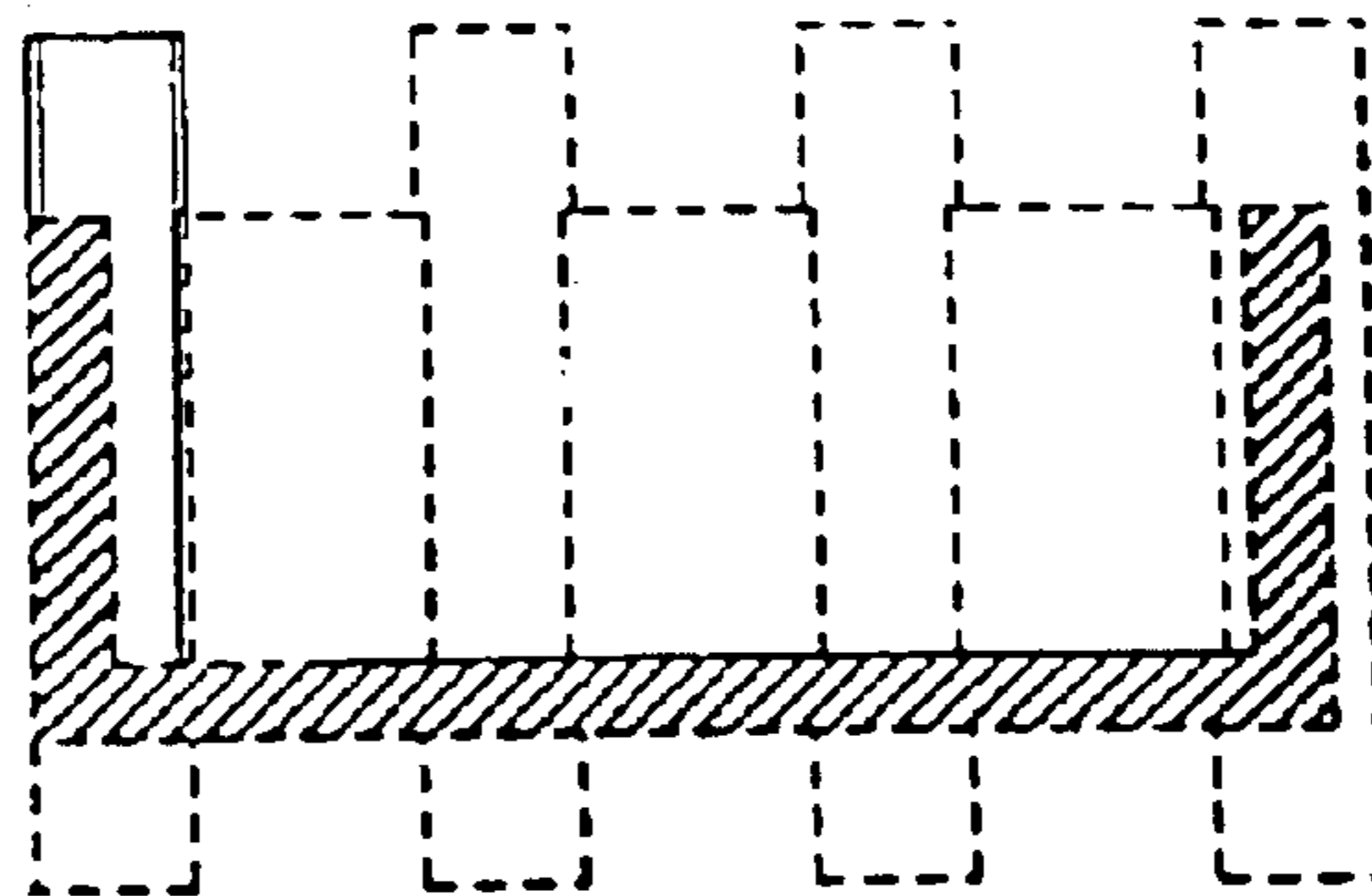


FIG. 9

