

US00D496368S1

(12) **United States Design Patent**
Herron et al.

(10) **Patent No.:** **US D496,368 S**
(45) **Date of Patent:** **** Sep. 21, 2004**

(54) **TWO-TONE MAGNETIC TAPE CARTRIDGE**

(75) Inventors: **John S. Herron**, Lyons, CO (US);
Mark D. Eastman, Superior, CO (US)

(73) Assignee: **Quantum Corporation**, Milpitas, CA (US)

(**) Term: **14 Years**

(21) Appl. No.: **29/168,752**

(22) Filed: **Oct. 8, 2002**

(51) **LOC (7) Cl.** **14-99**

(52) **U.S. Cl.** **D14/475**

(58) **Field of Search** D14/474-482,
D14/435; D21/332, 324; 242/348-348.4;
360/132-135, 900; 206/307, 308.1, 308.2,
308.3; 369/275.1-275.5, 280-292; 463/43,
44, 45

(56) **References Cited**

U.S. PATENT DOCUMENTS

D184,245 S	*	1/1959	Ulmschneider	D14/475
4,608,617 A	*	8/1986	Oishi et al.	360/133
4,658,318 A	*	4/1987	Bauck et al.	360/133
5,209,424 A	*	5/1993	Fischer et al.	242/348
D363,066 S	*	10/1995	Tapani et al.	D14/475
D407,084 S	*	3/1999	Waler et al.	D14/475
D438,870 S	*	3/2001	Saliba et al.	D14/475
6,459,547 B1	*	10/2002	Riddering et al.	360/135

D465,786 S * 11/2002 Hoge et al. D14/475

* cited by examiner

Primary Examiner—Prabhakar Deshmukh

(74) *Attorney, Agent, or Firm*—Patton Boggs LLP

(57) **CLAIM**

The ornamental design for a two-tone magnetic tape cartridge, as shown and described.

DESCRIPTION

FIG. 1 is a perspective view of a two-tone magnetic tape cartridge showing the new design, contrasting colors, and the surface shading thereof;

FIG. 2 is a front end view illustrating the top and the bottom and the contrasting color thereof;

FIG. 3 is a top plan view illustrating one of the contrasting color thereof;

FIG. 4 is a bottom plan view illustrating the design and contrasting color thereof;

FIG. 5 is a back end view illustrating the design and the contrasting colors thereof;

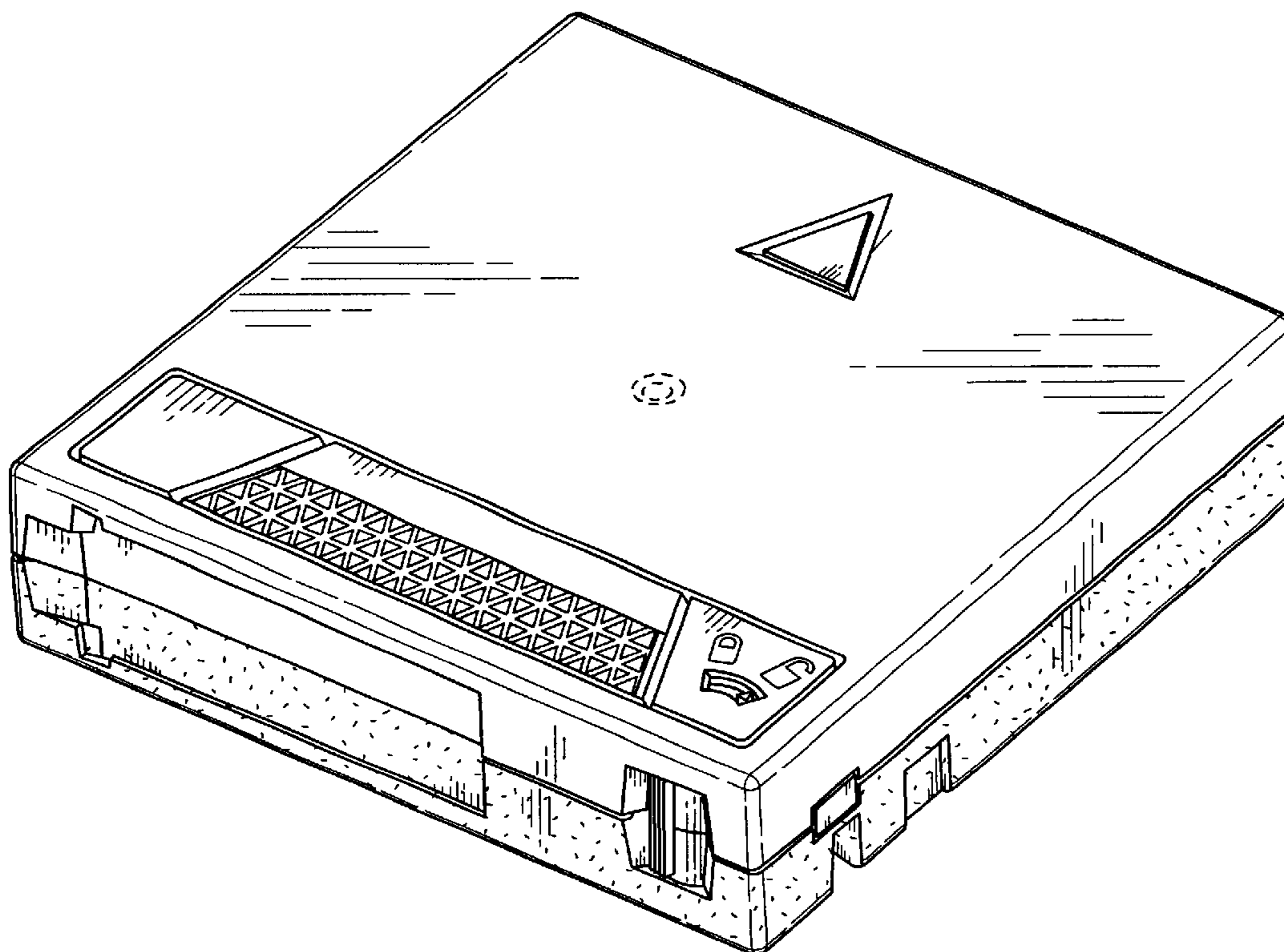
FIG. 6 is a left side view illustrating the design and the contrasting colors thereof; and,

FIG. 7 is right side view illustrating the design and the contrasting colors thereof.

Color contrast is integral to the design of the two-tone magnetic tape cartridge.

The broken lines are for illustrative purpose only and forms no part of the claimed design.

1 Claim, 3 Drawing Sheets



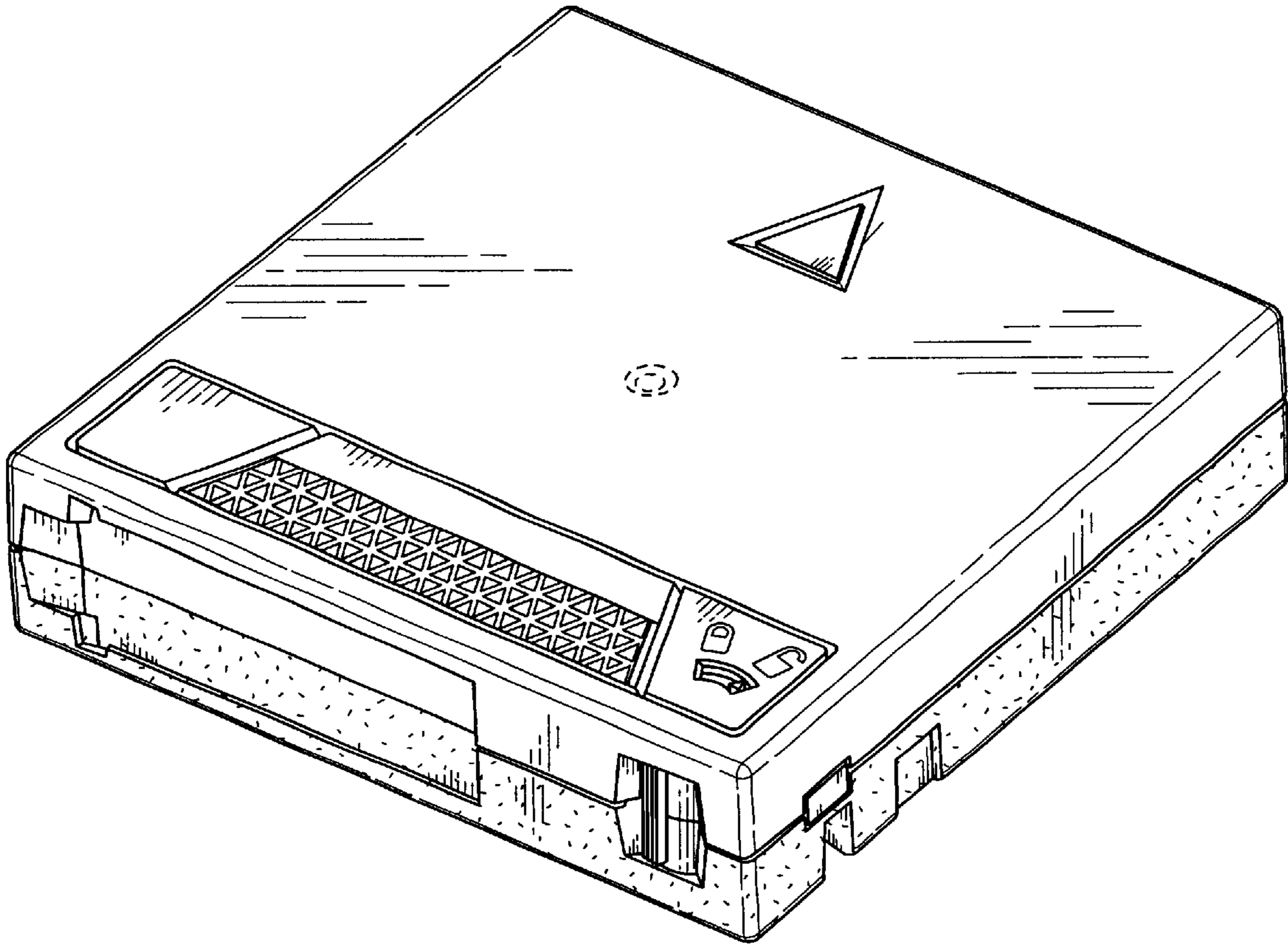


FIG. 1

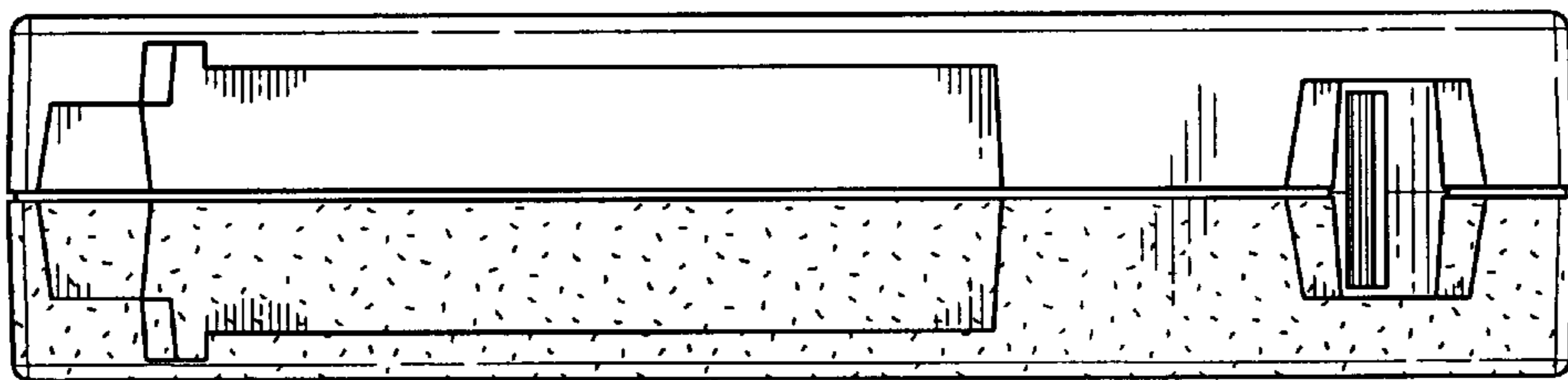


FIG. 2

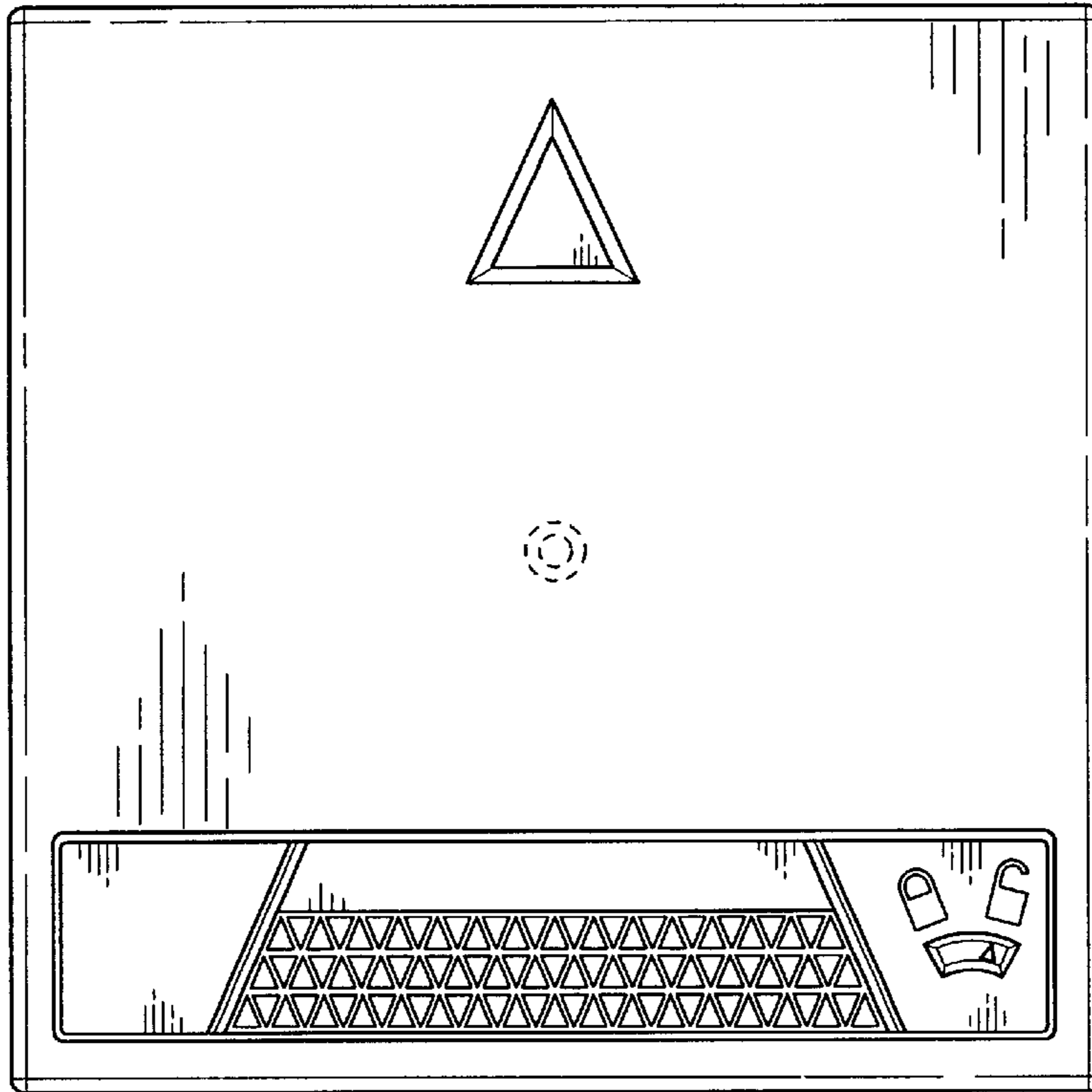


FIG. 3

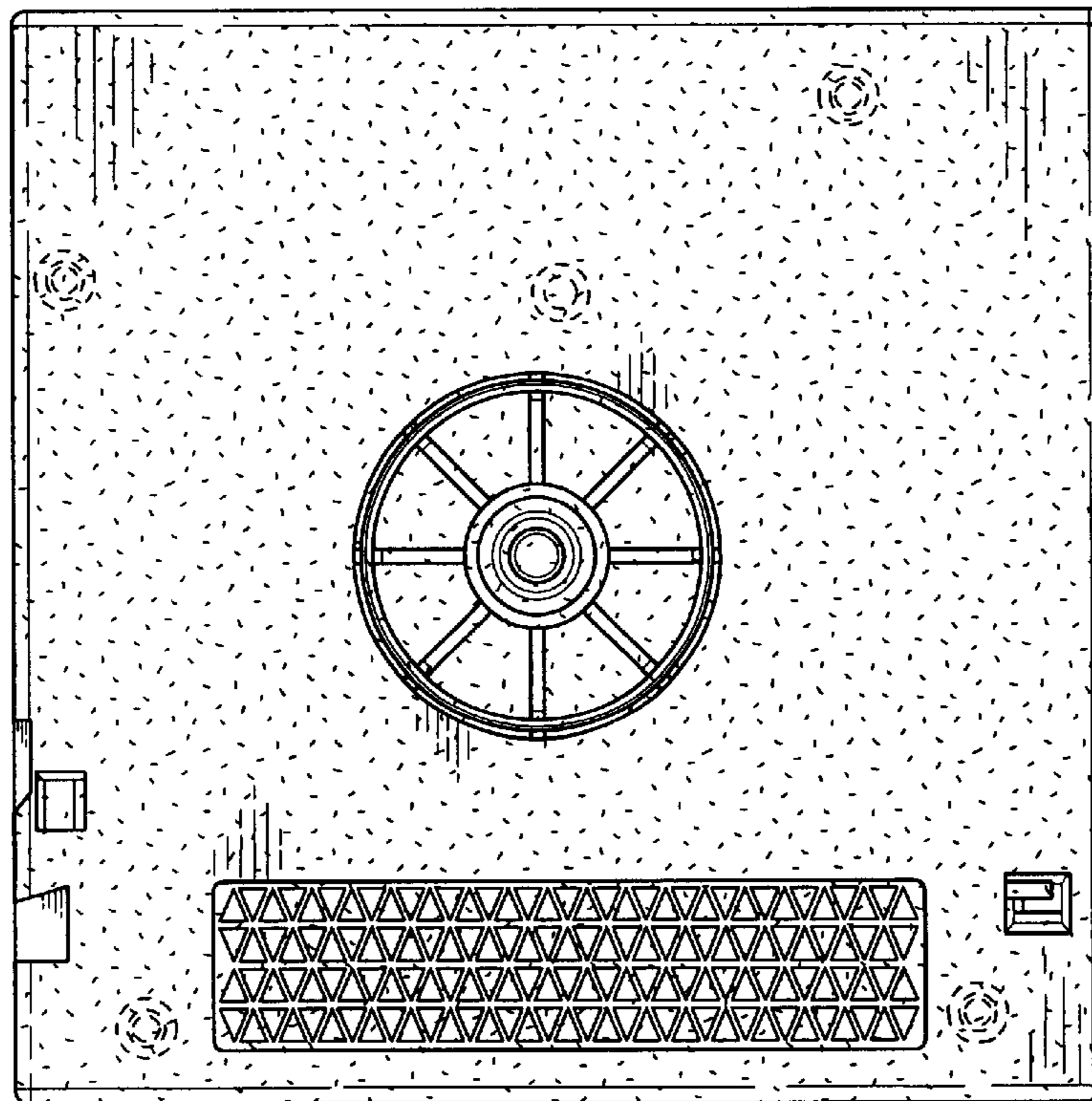


FIG. 4

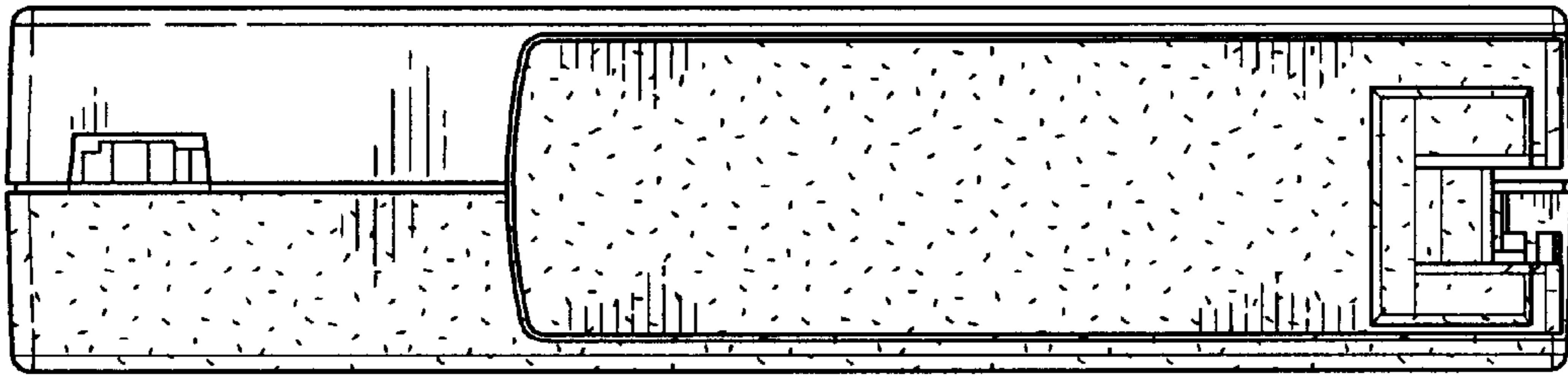


FIG. 5

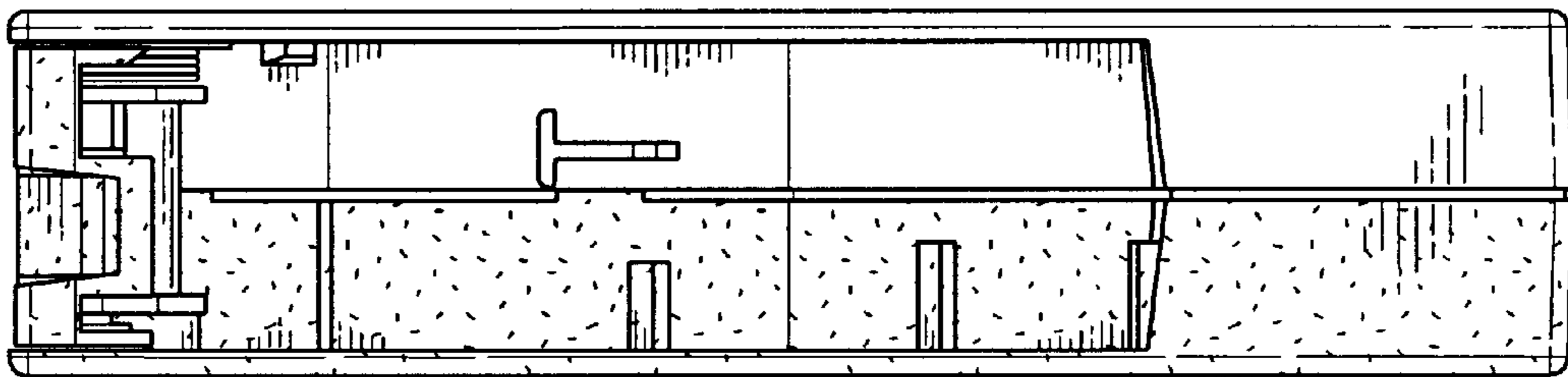


FIG. 6

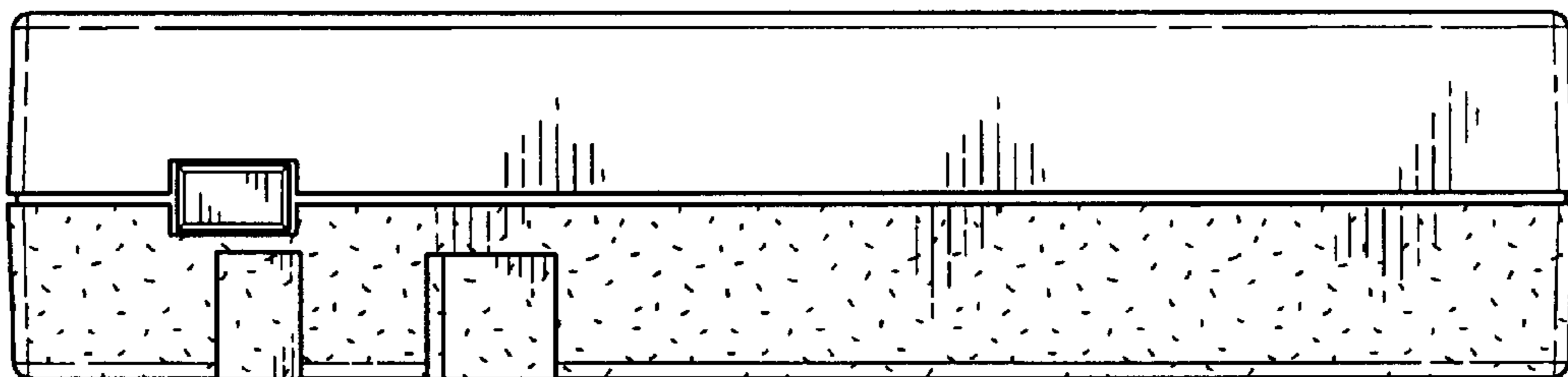


FIG. 7