



US00D496367S1

(12) **United States Design Patent** (10) **Patent No.:** **US D496,367 S**
Pfister (45) **Date of Patent:** **** Sep. 21, 2004**

(54) **DISPLAY MOUNT**

(75) Inventor: **Joel W. Pfister**, Shorewood, MN (US)

(73) Assignee: **Decade Industries, Inc.**, St. Paul, MN (US)

(**) Term: **14 Years**

(21) Appl. No.: **29/196,732**

(22) Filed: **Jan. 2, 2004**

(51) **LOC (7) Cl.** **14-02**

(52) **U.S. Cl.** **D14/451; D8/363**

(58) **Field of Search** D14/451, 452, D14/238, 432, 448; D8/363, 373, 349, 396; 248/278.1, 279.1, 514, 291.1, 921-924, 536, 511, 516, 519, 311.2; 312/7.2; 348/825, 827, 836, 837

6,378,830	B1	4/2002	Lu
6,394,403	B1	5/2002	Hung
6,402,109	B1	6/2002	Dittmar
D460,078	S	7/2002	Li
6,517,040	B1	2/2003	Wen
6,554,238	B1	4/2003	Hibberd
6,565,056	B2	5/2003	Lin
D477,606	S	7/2003	Theis et al.
6,592,090	B1	7/2003	Li
6,604,722	B1	8/2003	Tan
6,663,064	B1	12/2003	Minelli et al.
6,672,553	B1	1/2004	Lin
2002/0011544	A1	1/2002	Bosson
2003/0075653	A1	4/2003	Li
2003/0136888	A1	7/2003	Boele
2003/0154673	A1	8/2003	MacGregor et al.
2003/0201372	A1	10/2003	Dozier
2003/0227739	A1	12/2003	Kim et al.
2004/0011932	A1	1/2004	Duff
2004/0011938	A1	1/2004	Oddsens, Jr.

* cited by examiner

(56) **References Cited**

U.S. PATENT DOCUMENTS

4,516,751	A	*	5/1985	Westbrook	248/279.1
D357,922	S	*	5/1995	Nysether et al.	D14/238
5,751,548	A		5/1998	Hall et al.		
D400,085	S	*	10/1998	Haskin	D8/363
5,842,672	A		12/1998	Sweere et al.		
D406,228	S	*	3/1999	Vogels	D8/363
D412,167	S	*	7/1999	Rosen	D14/126
5,918,841	A		7/1999	Sweere et al.		
5,947,429	A		9/1999	Sweere et al.		
5,992,809	A	*	11/1999	Sweere et al.	248/278.1
6,012,693	A		1/2000	Voeller et al.		
6,015,120	A		1/2000	Sweere et al.		
6,042,068	A		3/2000	Tcherny		
6,068,227	A		5/2000	Morgan et al.		
6,102,348	A		8/2000	O'Neill		
6,126,128	A		10/2000	Costa et al.		
D435,852	S	*	1/2001	Oddsens, Jr.	D14/452
6,367,756	B1		4/2002	Wang		

Primary Examiner—Kay H. Chin

(74) *Attorney, Agent, or Firm*—Kinney & Lange, P.A.

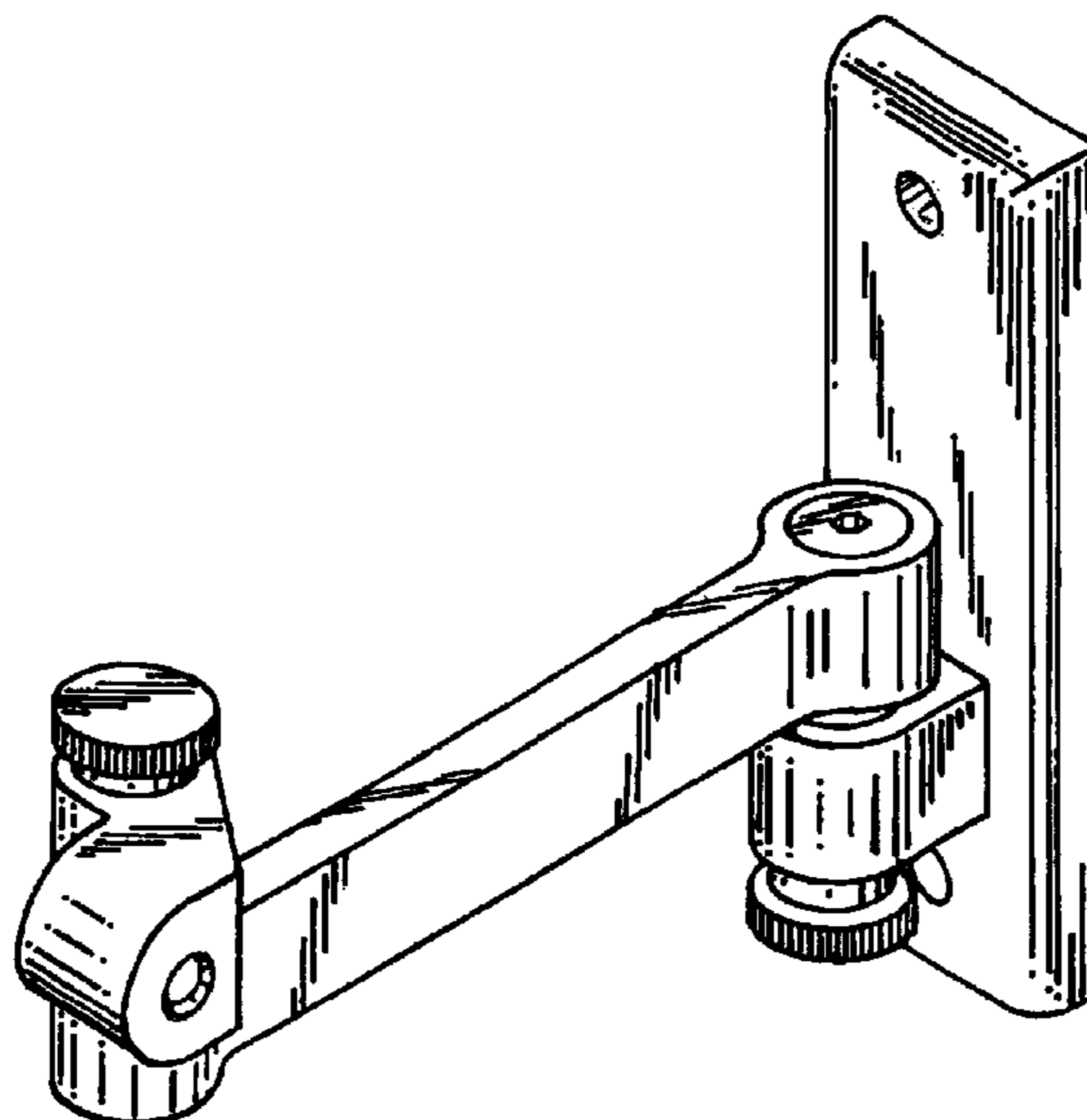
(57) **CLAIM**

The ornamental design for a display mount, as shown and described.

DESCRIPTION

FIG. 1 is a perspective view looking down at the top, right side of a display mount showing my new design;
 FIG. 2 is a top view;
 FIG. 3 is a right side view;
 FIG. 4 is a left side view;
 FIG. 5 is a front view;
 FIG. 6 is a back view; and,
 FIG. 7 is a bottom view.

1 Claim, 3 Drawing Sheets



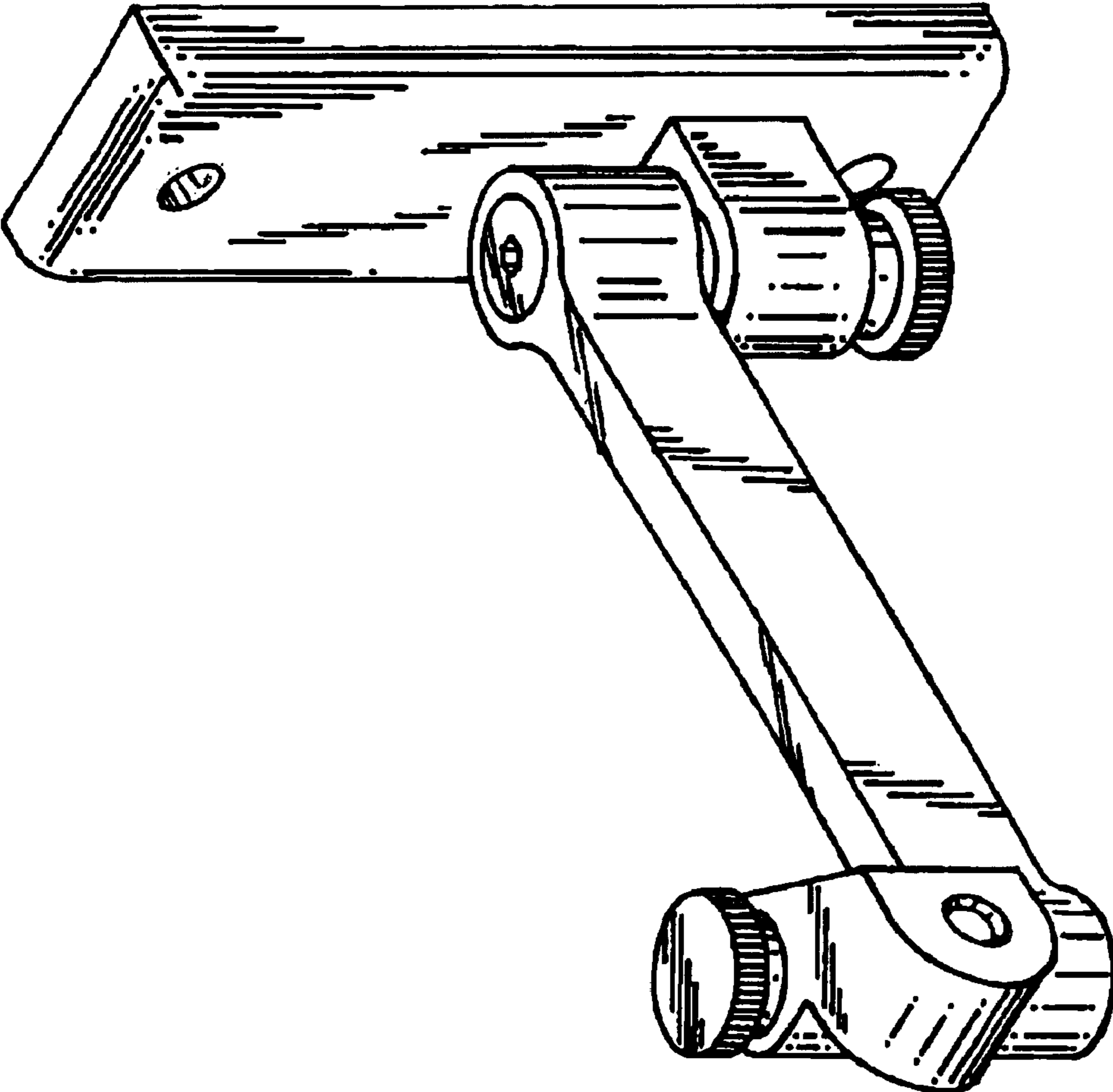


Fig. 1

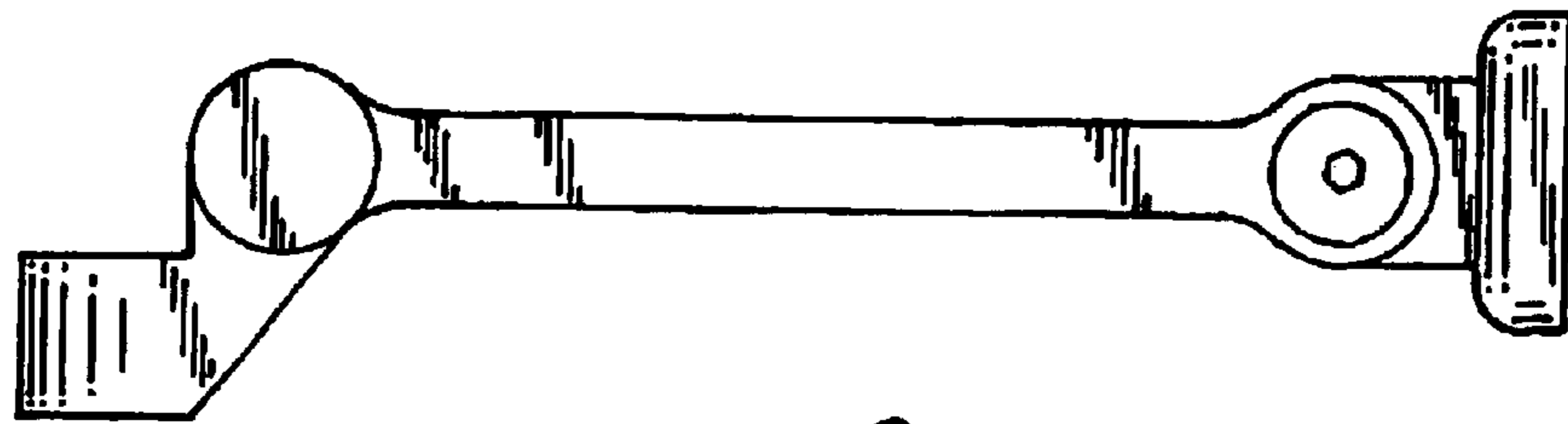


Fig. 2

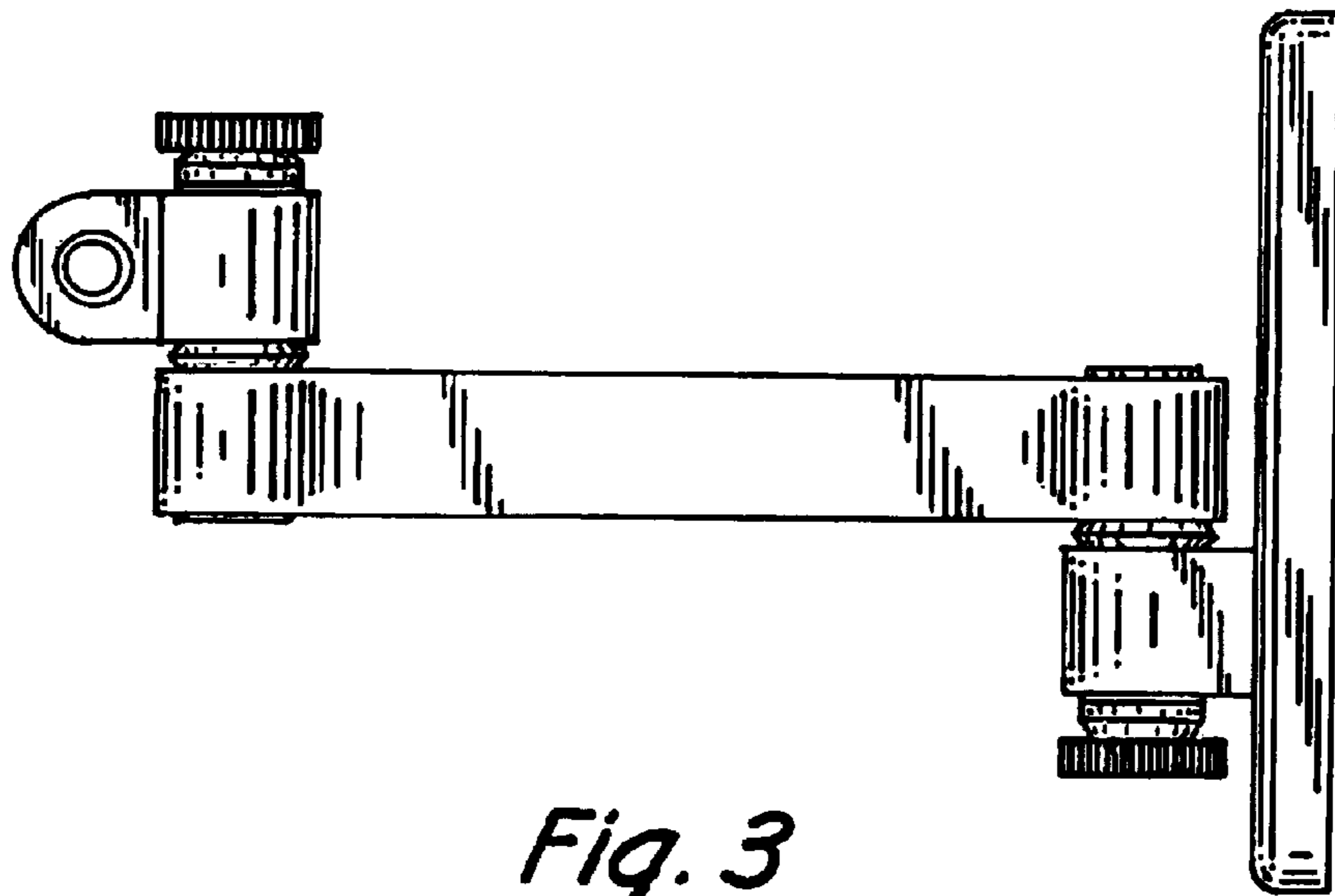


Fig. 3

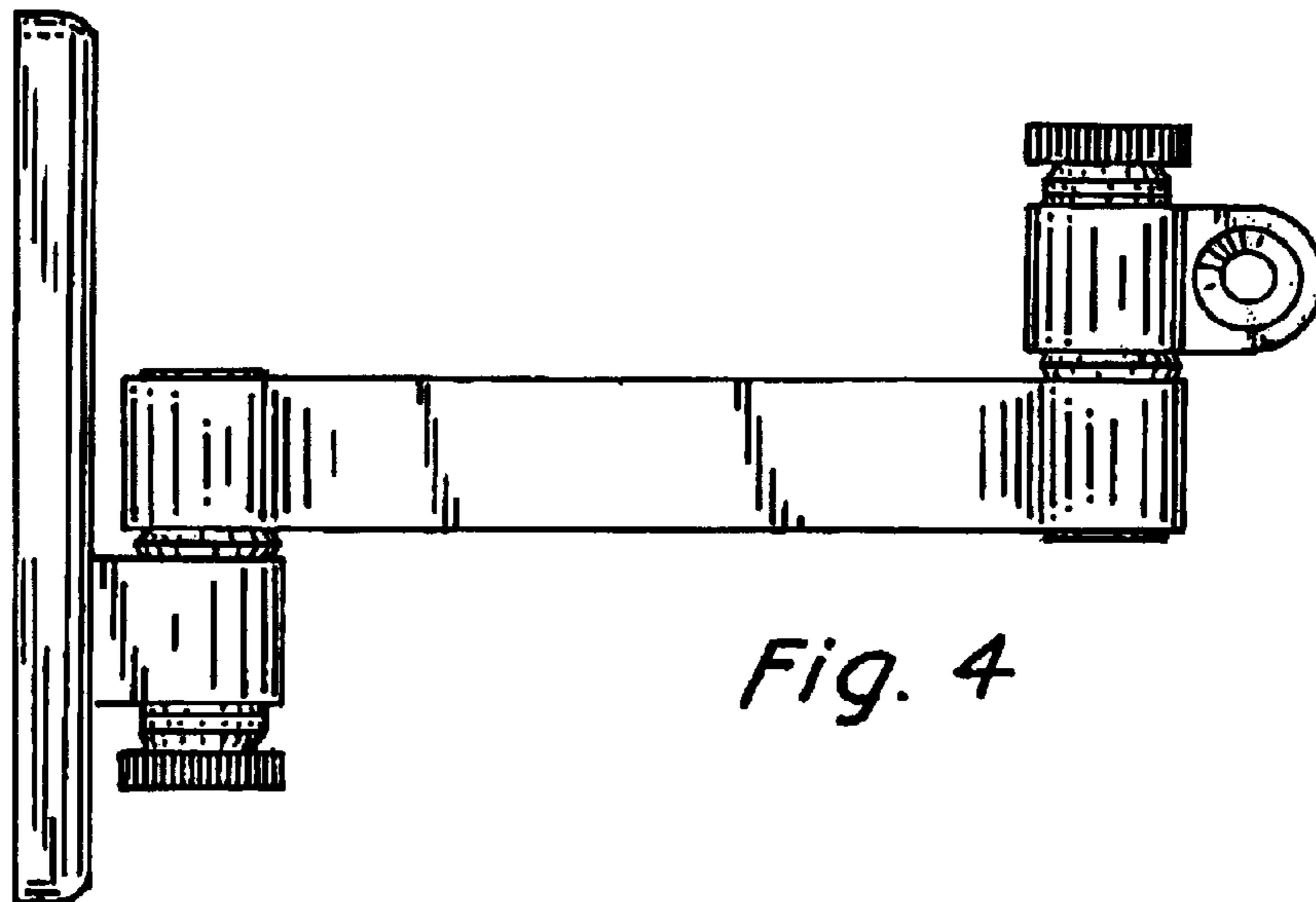


Fig. 4

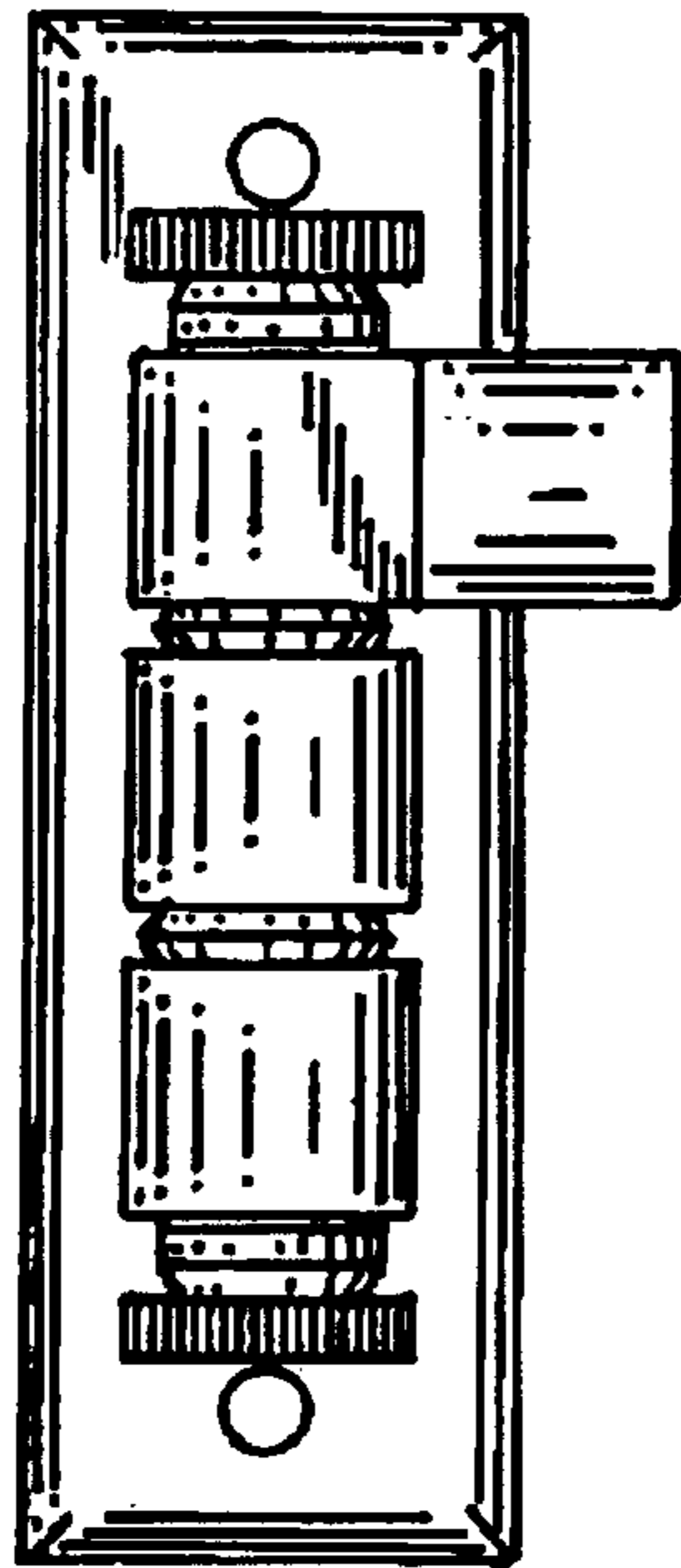


Fig. 5

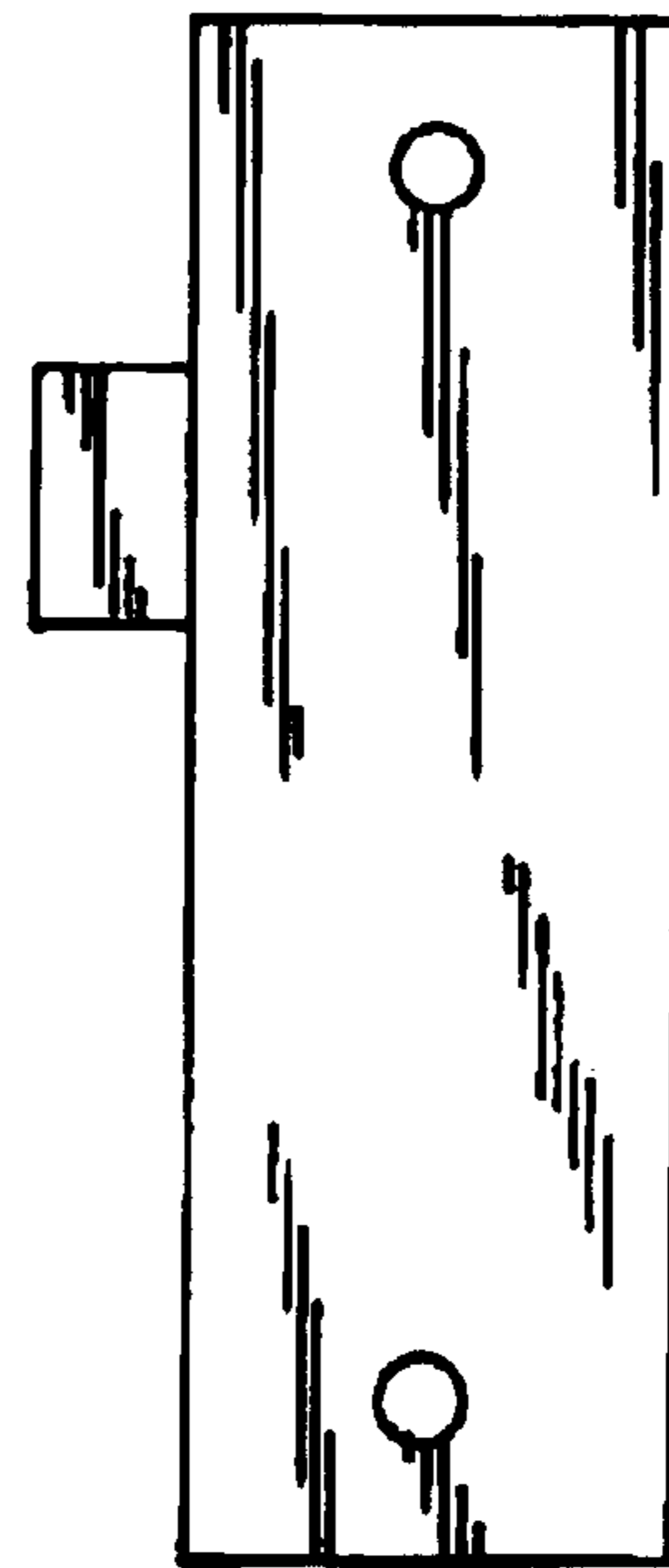


Fig. 6



Fig. 7