

US00D496366S1

(12) **United States Design Patent**
Croley et al.

(10) **Patent No.:** **US D496,366 S**
(45) **Date of Patent:** **** Sep. 21, 2004**

(54) **MOBILE TERMINAL SHORT HOUSING**

(75) Inventors: **Curt Croley**, Stony Brook, NY (US);
Tine Berentzen, Bellport, NY (US);
Jaeh Choi, Whitestone, NY (US)

(73) Assignee: **Symbol Technologies, Inc.**, Holtsville,
NY (US)

(**) Term: **14 Years**

(21) Appl. No.: **29/195,424**

(22) Filed: **Dec. 11, 2003**

(51) **LOC (7) Cl.** **14-02**

(52) **U.S. Cl.** **D14/429; D14/341**

(58) **Field of Search** D14/341, 346,
D14/347, 420, 425, 426, 428, 429, 385,
439; 235/472.01, 472.02, 472.03; 248/309.1;
340/539.32; 345/173; 361/680-686

(56) **References Cited**

U.S. PATENT DOCUMENTS

- D386,152 S * 11/1997 Warneke D14/347
- 5,736,726 A * 4/1998 VanHorn et al. 235/472.02
- 5,811,784 A * 9/1998 Tausch et al. 235/472.01
- 5,818,027 A * 10/1998 Paratore 235/472.01
- 5,831,819 A * 11/1998 Chacon et al. 361/683
- D414,470 S * 9/1999 Chacon et al. D14/341

- 6,031,524 A * 2/2000 Kunert 345/173
- D428,883 S * 8/2000 Mizusugi et al. D14/346
- 6,109,528 A * 8/2000 Kunert et al. 235/472.01
- D439,898 S * 4/2001 Ober et al. D14/347
- D447,141 S * 8/2001 Itoh et al. D14/385
- D467,918 S * 12/2002 Fitch et al. D14/347
- D477,598 S * 7/2003 Mathiowetz et al. D14/347

* cited by examiner

Primary Examiner—Freda S. Nunn

(74) *Attorney, Agent, or Firm*—Amin & Turocy, LLP

(57) **CLAIM**

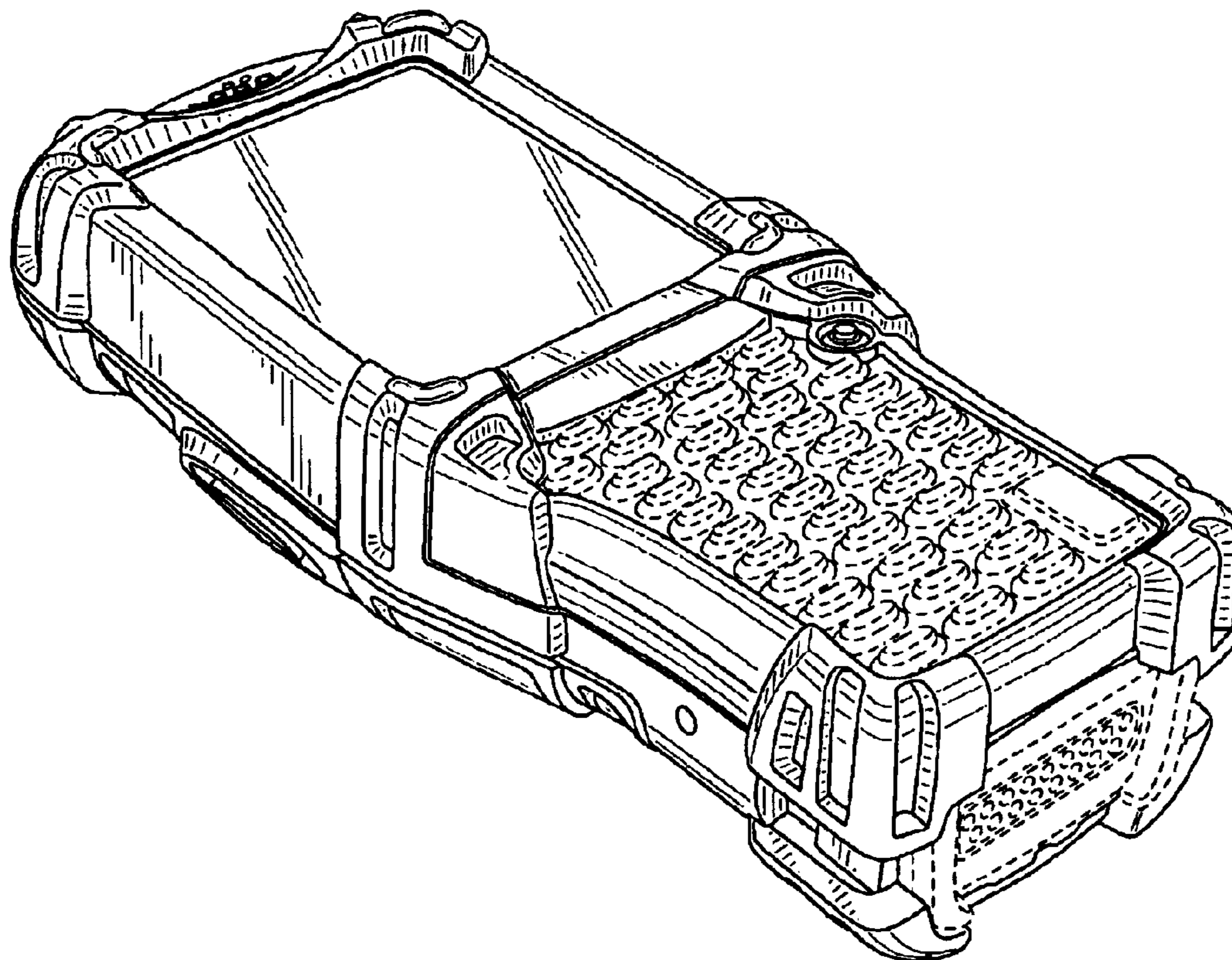
The ornamental design for a mobile terminal short housing,
as shown and described.

DESCRIPTION

FIG. 1 is perspective view of the front, bottom, and left side
of a mobile terminal short housing showing our new design;
FIG. 2 is top view thereof;
FIG. 3 is a bottom view thereof;
FIG. 4 is a left side view thereof;
FIG. 5 is a right side view thereof;
FIG. 6 is a front view thereof; and,
FIG. 7 is a back view thereof.

The broken lines shown in FIGS. 1-7 are for illustrative
purposes only and form no part of the claimed design.

1 Claim, 6 Drawing Sheets



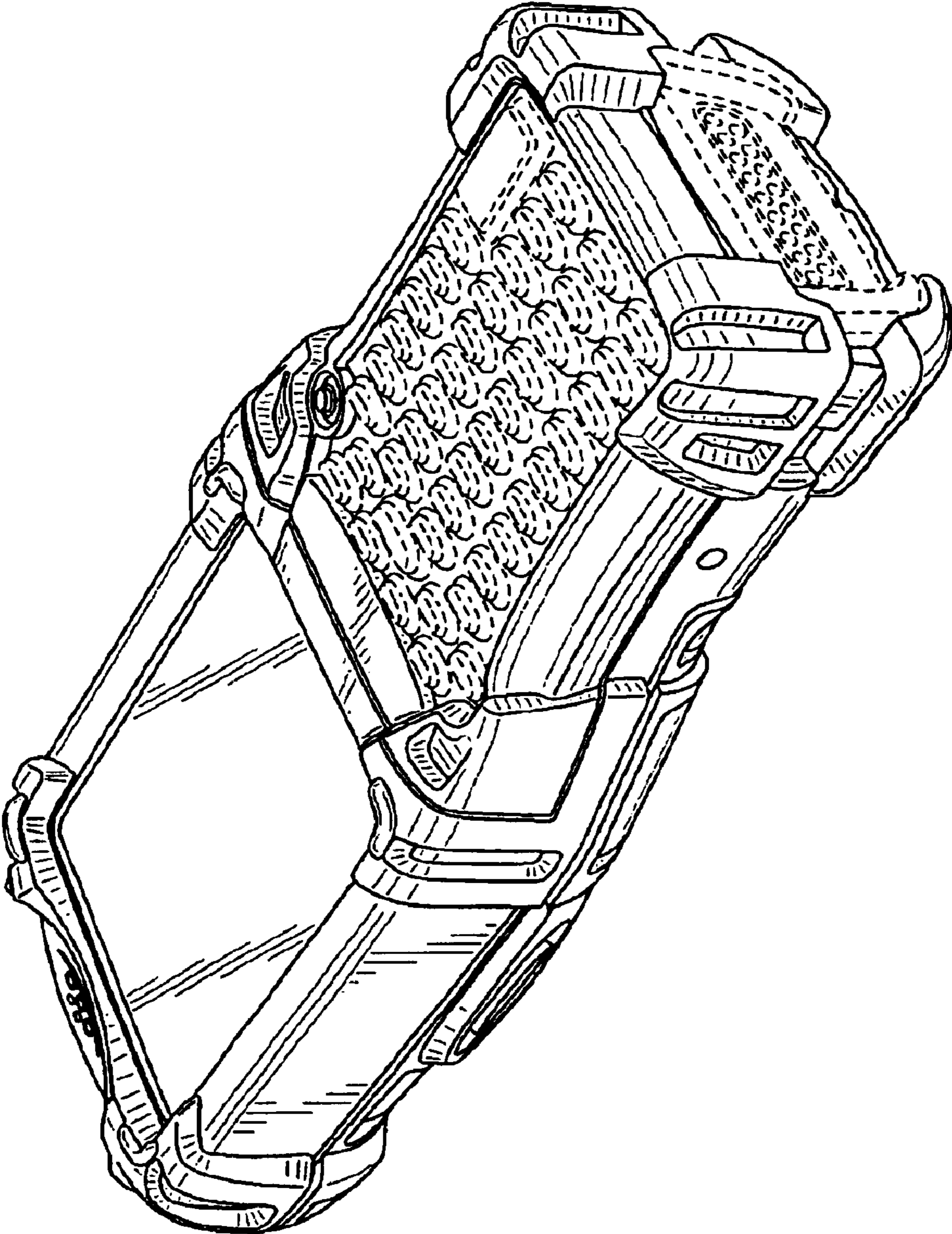


FIG. 1

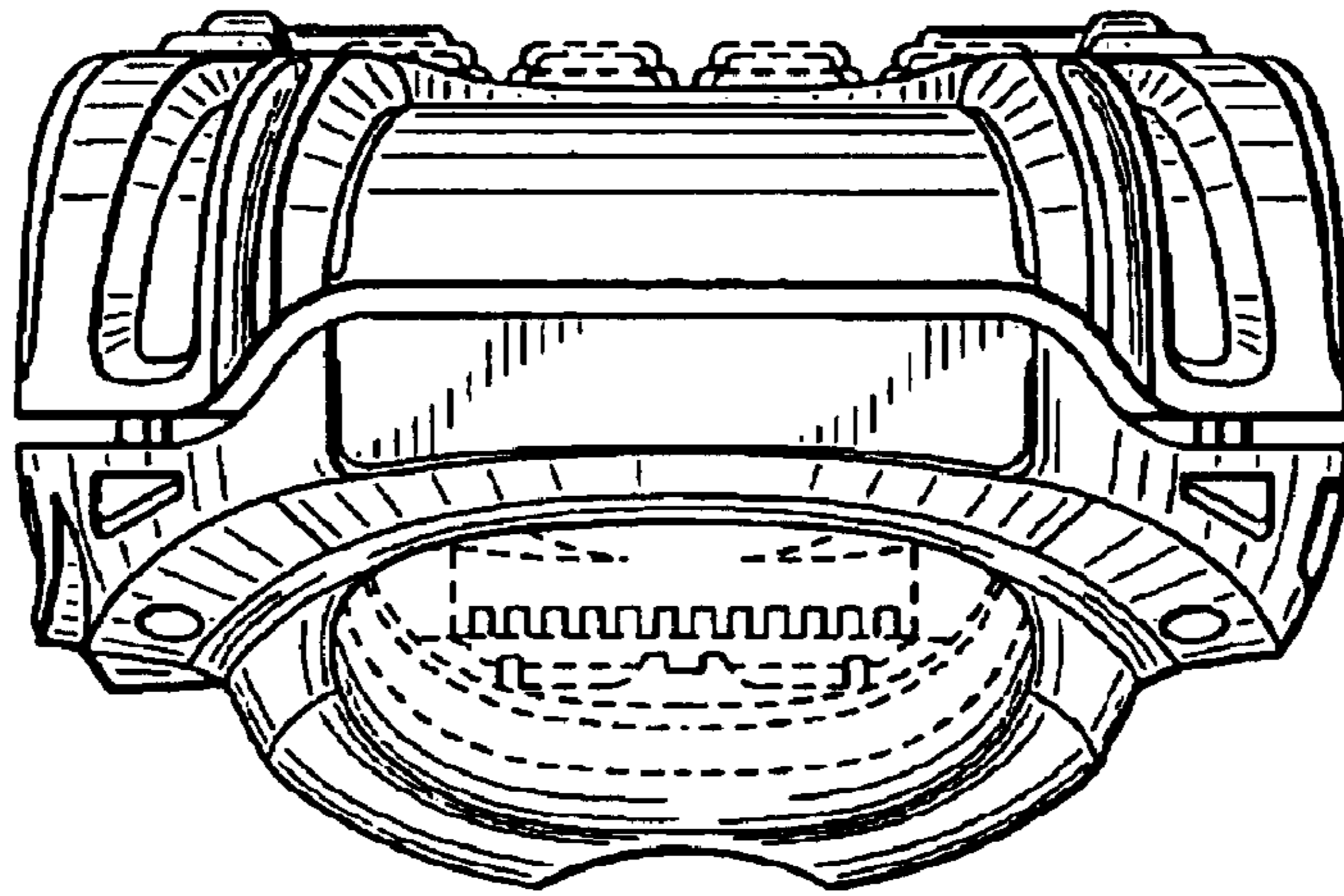


FIG. 2

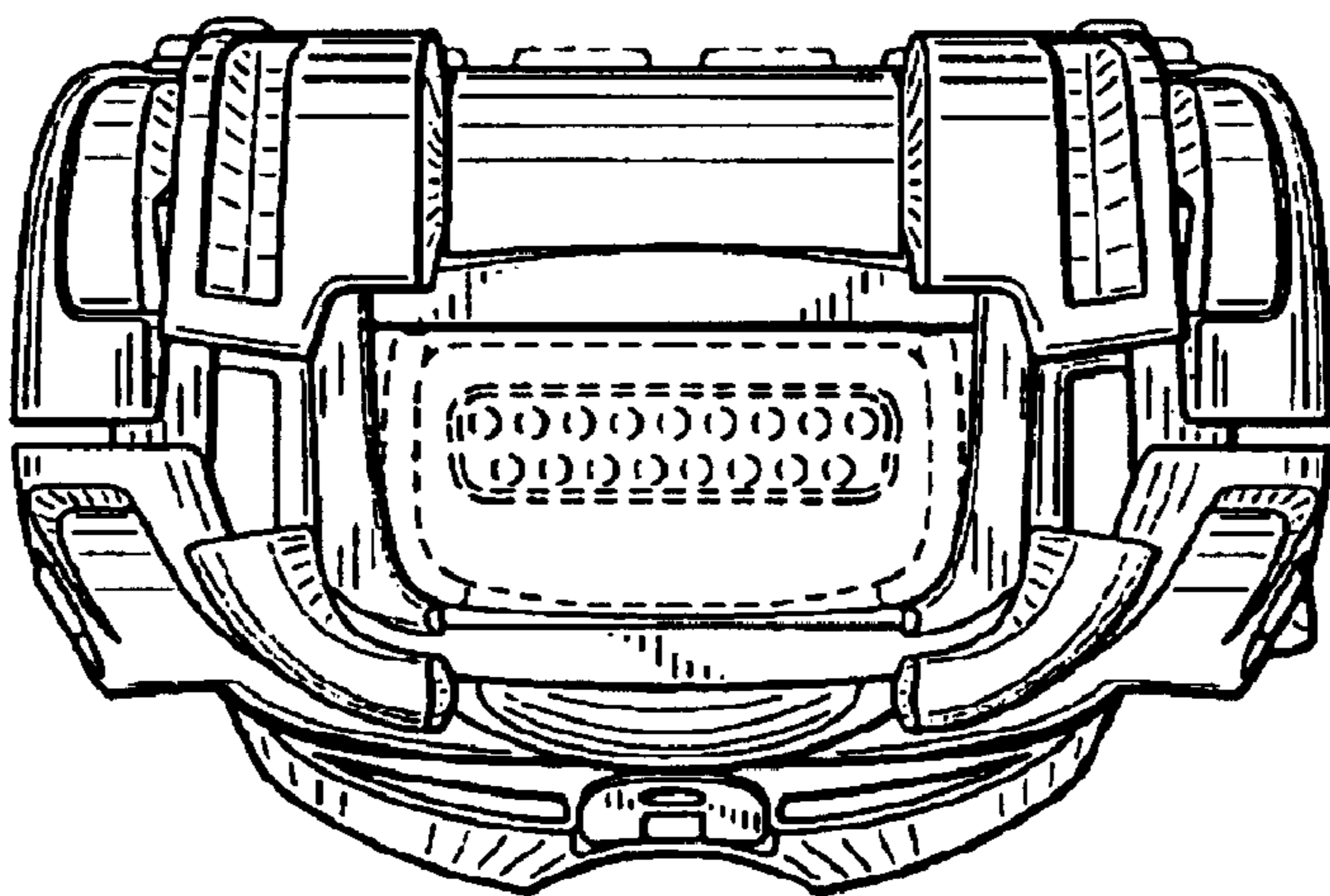


FIG. 3

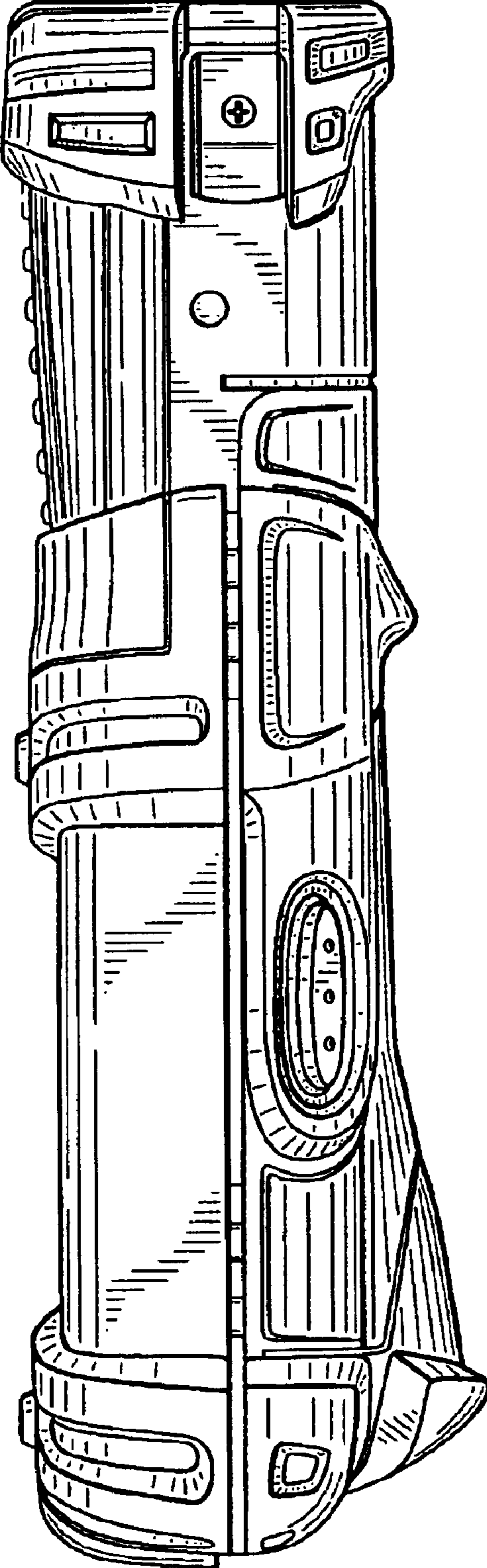


FIG. 4

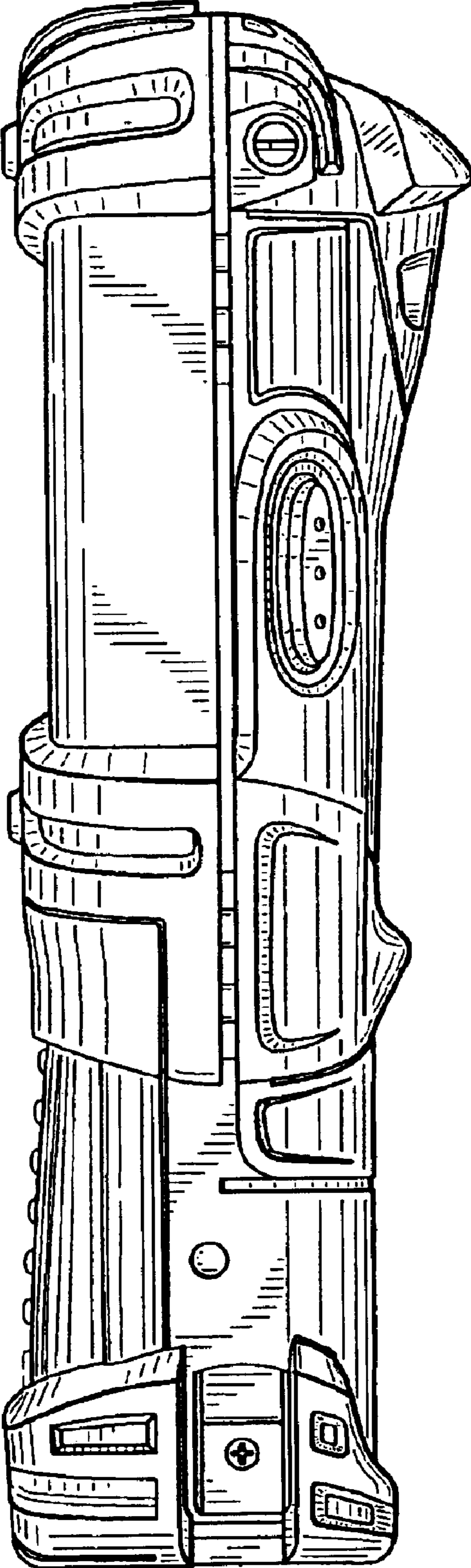


FIG. 5

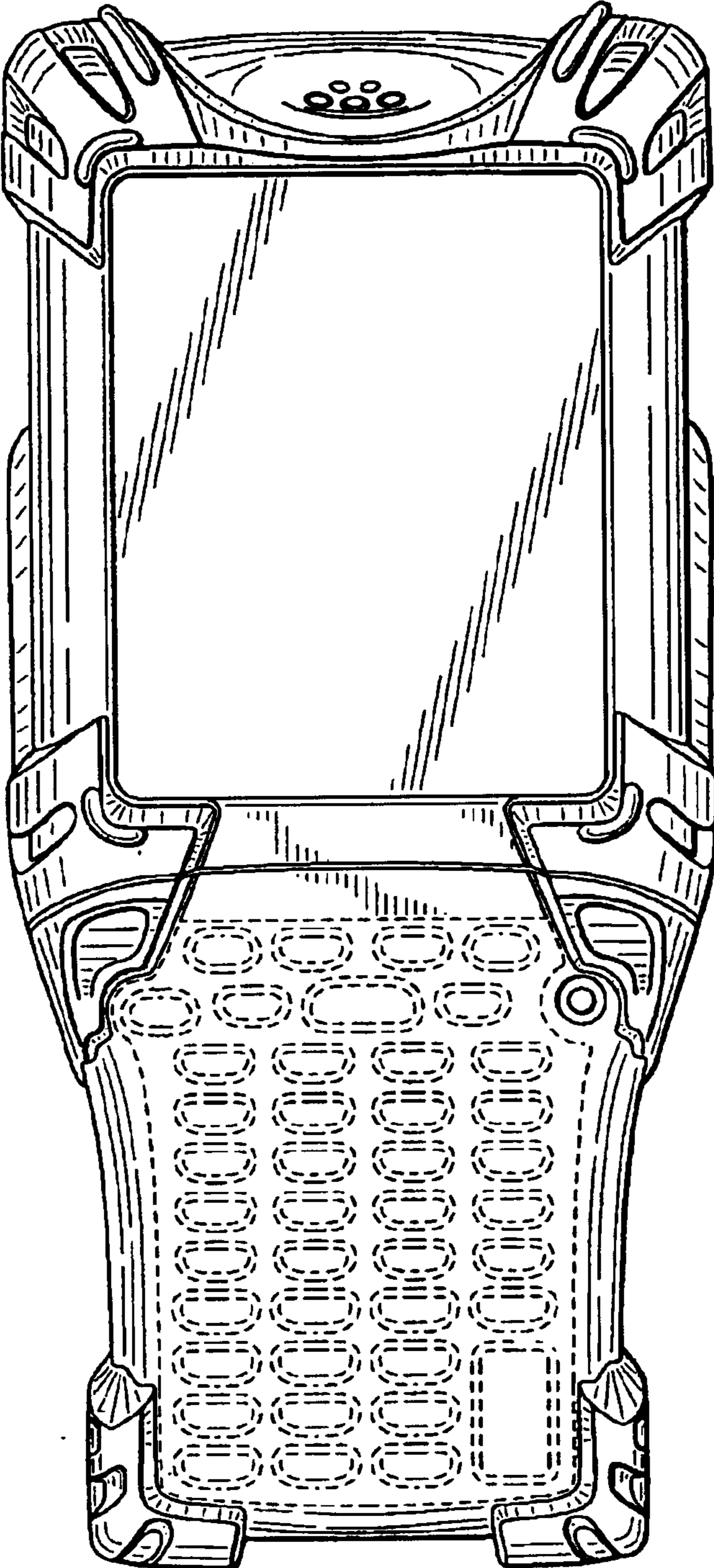


FIG. 6

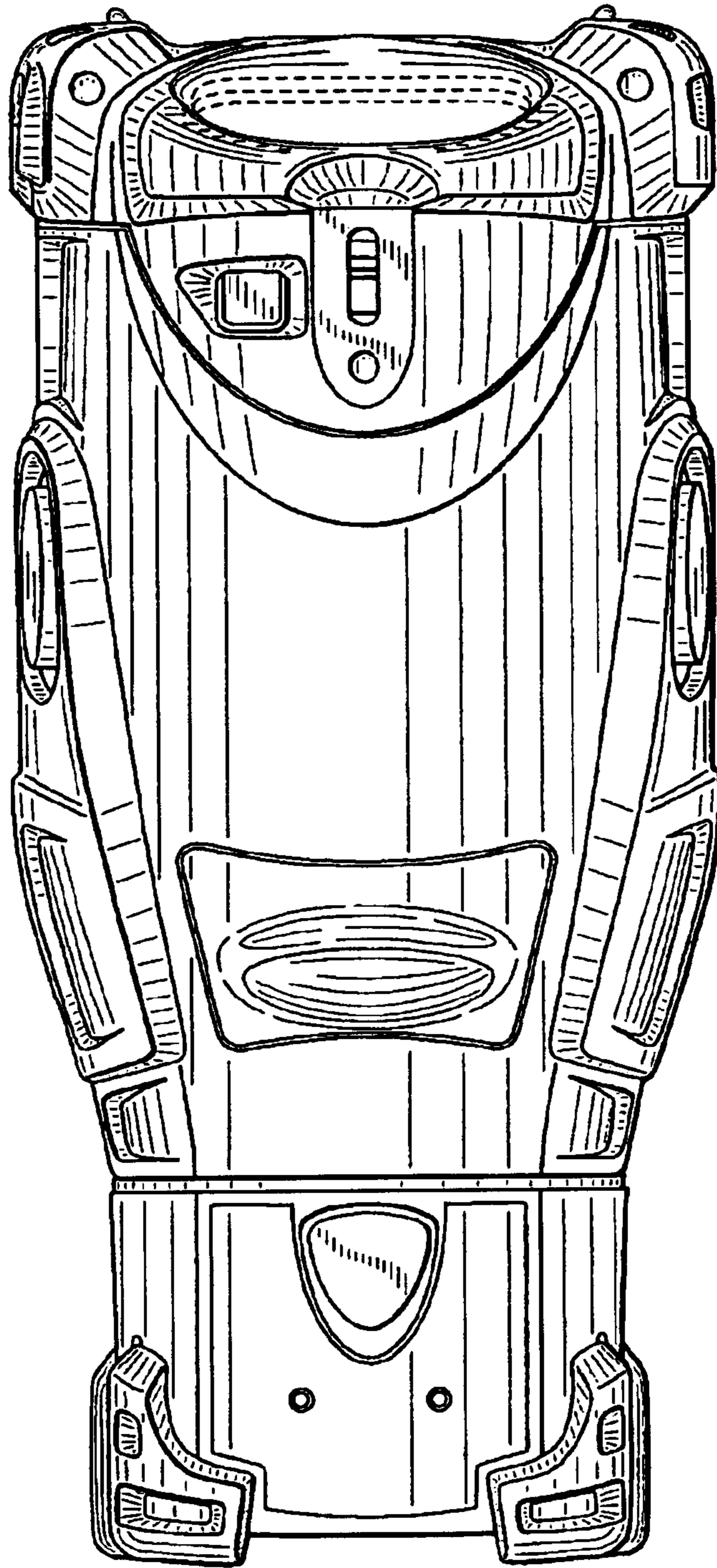


FIG. 7