

US00D496365S1

(12) **United States Design Patent** (10) **Patent No.:** **US D496,365 S**  
**Liu et al.** (45) **Date of Patent:** **\*\* Sep. 21, 2004**

(54) **CORELESS INDUCTOR MAGNETIC STRIP  
SIMULACRUM FOR RIGHT ANGLE  
TRANSACTION ACCEPTANCE SYSTEMS**

(75) Inventors: **Li Liu**, San Jose, CA (US); **Theodore  
J. Colburn**, Santa Clara, CA (US); **Xu  
Zhang**, Cupertino, CA (US)

(73) Assignee: **VIVOtech, Inc.**, Santa Clara, CA (US)

(\*\*) Term: **14 Years**

(21) Appl. No.: **29/201,574**

(22) Filed: **Mar. 16, 2004**

**Related U.S. Application Data**

(63) Continuation-in-part of application No. 29/176,983, filed on  
Feb. 28, 2003.

(51) **LOC (7) Cl.** ..... **14-02**

(52) **U.S. Cl.** ..... **D14/385**

(58) **Field of Search** ..... D14/383-386,  
D14/399, 125; 235/380, 382, 382.5, 483;  
250/569, 566

(56) **References Cited**

**U.S. PATENT DOCUMENTS**

- 3,801,776 A 4/1974 Goepfinger et al.
- 4,788,420 A \* 11/1988 Chang et al. .... 235/483
- D306,015 S \* 2/1990 Pulio et al. .... D14/386
- 5,034,619 A \* 7/1991 Hammond, Jr. .... 250/569
- 5,065,001 A 11/1991 Hennick et al.
- 5,260,552 A 11/1993 Colbert et al.
- 5,345,090 A \* 9/1994 Hludzinski ..... 250/566

- D371,777 S \* 7/1996 Wolf et al. .... D14/399
- D398,919 S \* 9/1998 Yen ..... D14/125
- 5,834,756 A 11/1998 Gutman et al.
- D436,355 S \* 1/2001 Lum et al. .... D14/385
- 2003/0218066 A1 11/2003 Fernandes et al.

**FOREIGN PATENT DOCUMENTS**

WO WO 01/37199 A1 5/2001

\* cited by examiner

*Primary Examiner*—Freda S. Nunn

(74) *Attorney, Agent, or Firm*—Townsend and Townsend  
and Crew LLP

(57) **CLAIM**

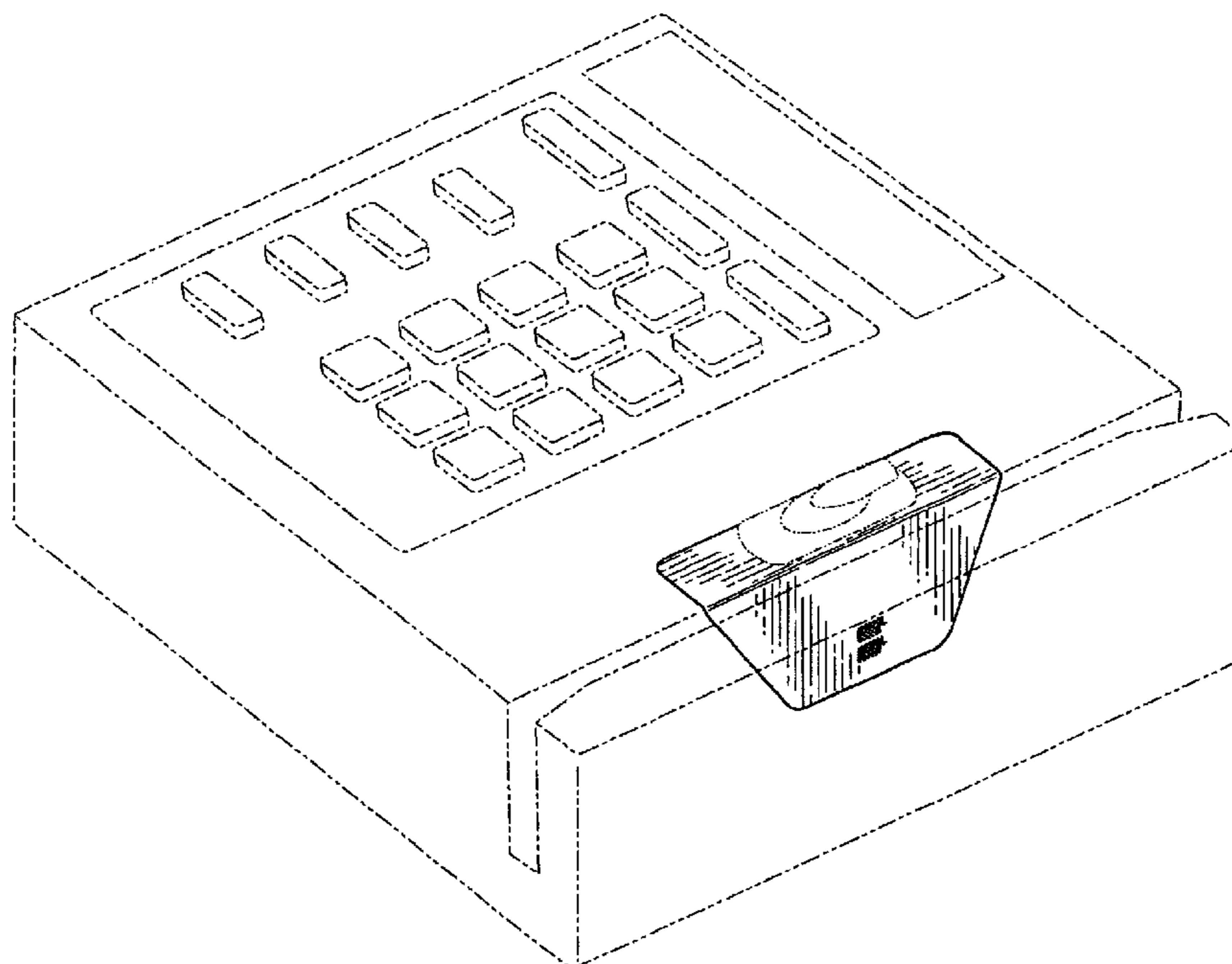
The ornamental design for a coreless inductor magnetic  
stripe simulacrum for right angle transaction acceptance  
systems, as shown and described.

**DESCRIPTION**

FIG. 1 is a perspective view of a first side of a coreless  
inductor magnetic stripe simulacrum for right angle trans-  
action acceptance systems showing my new design;  
FIG. 2 is another side perspective view thereof;  
FIG. 3 is a right side elevational view thereof;  
FIG. 4 is a left side elevational view thereof;  
FIG. 5 is a top plan view thereof;  
FIG. 6 is a bottom plan view thereof;  
FIG. 7 is a front elevational view thereof; and,  
FIG. 8 is a rear elevational view thereof.

The broken line showing the environment is for illustrative  
purposes only and forms no part of the claimed design.

**1 Claim, 6 Drawing Sheets**



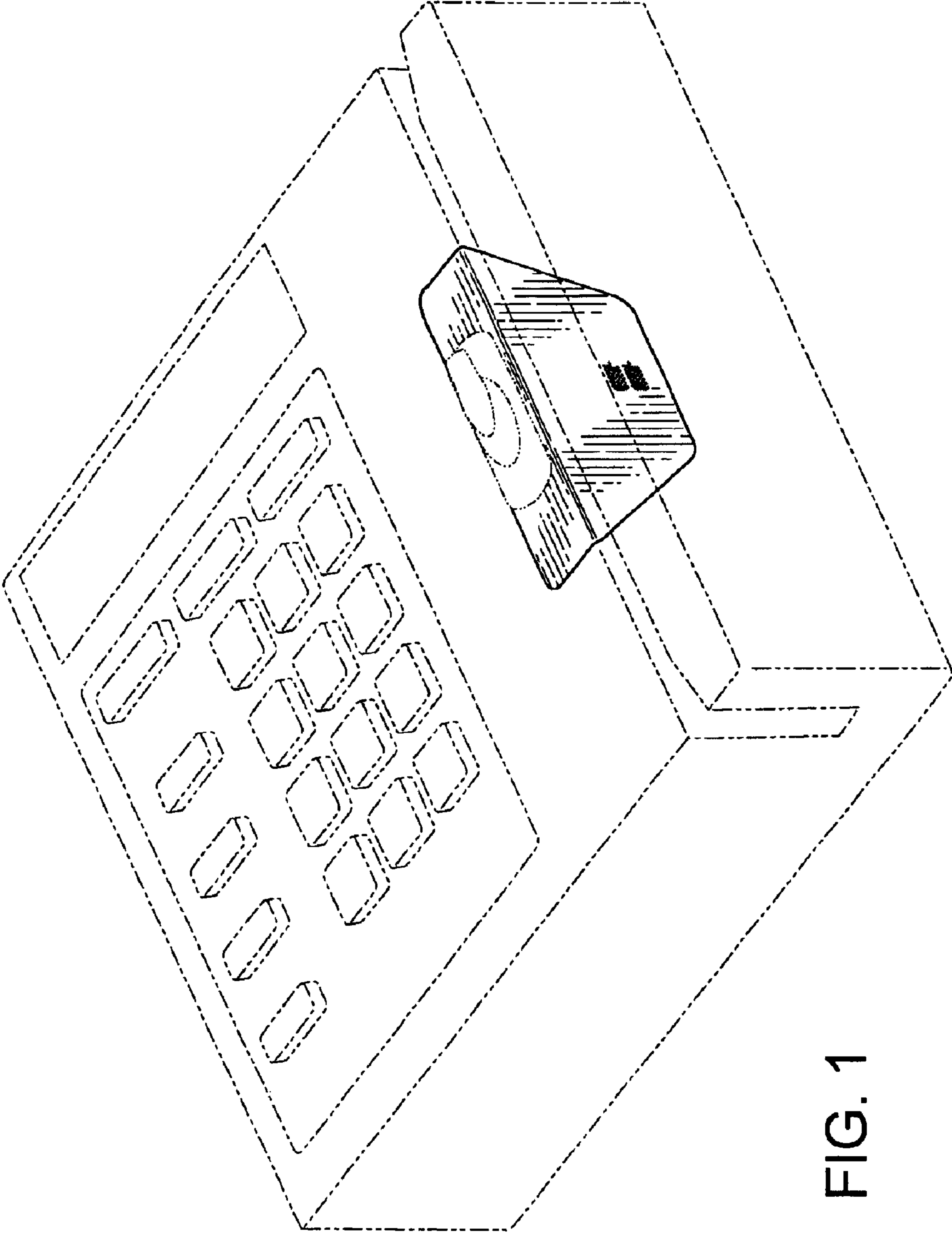


FIG. 1

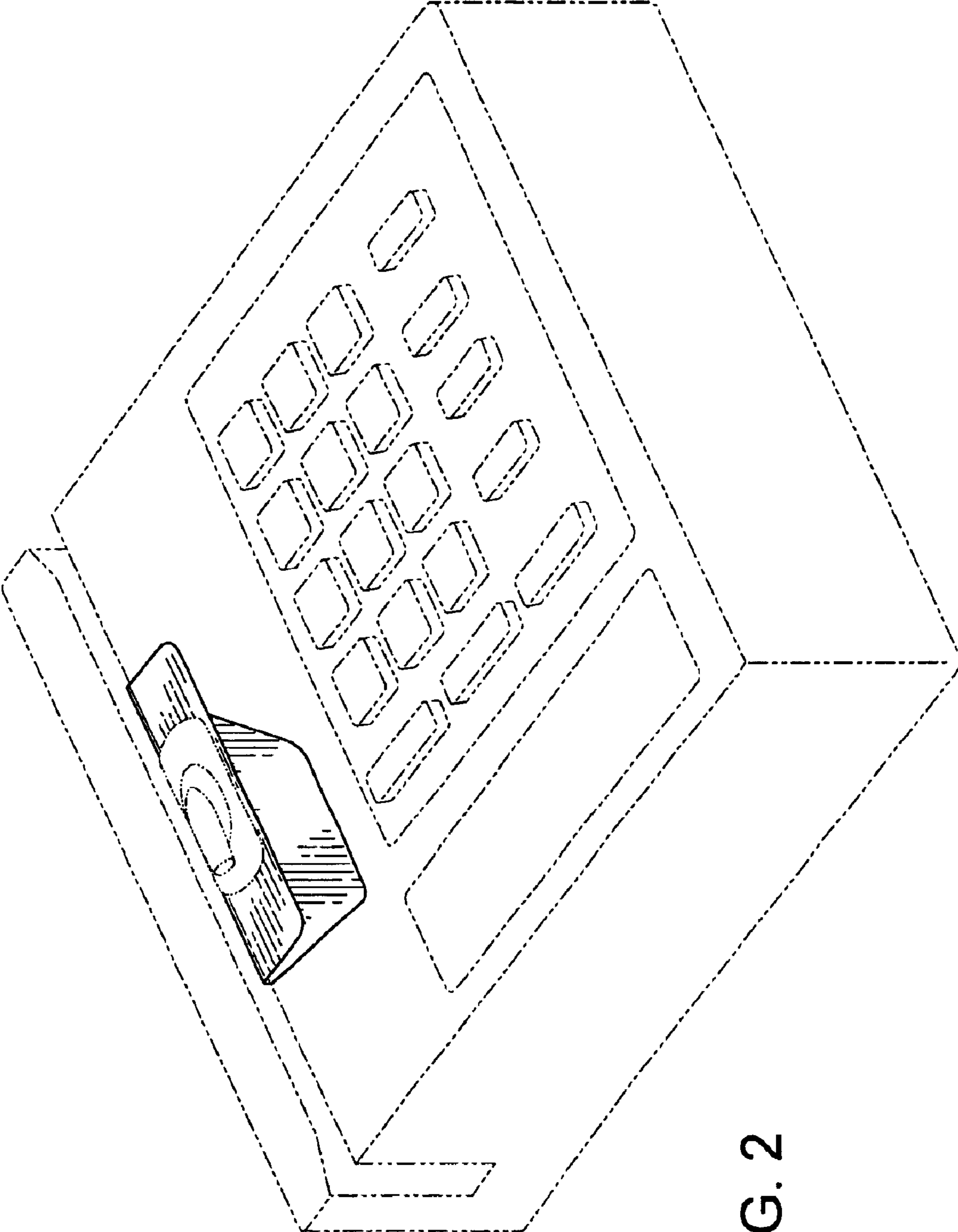


FIG. 2

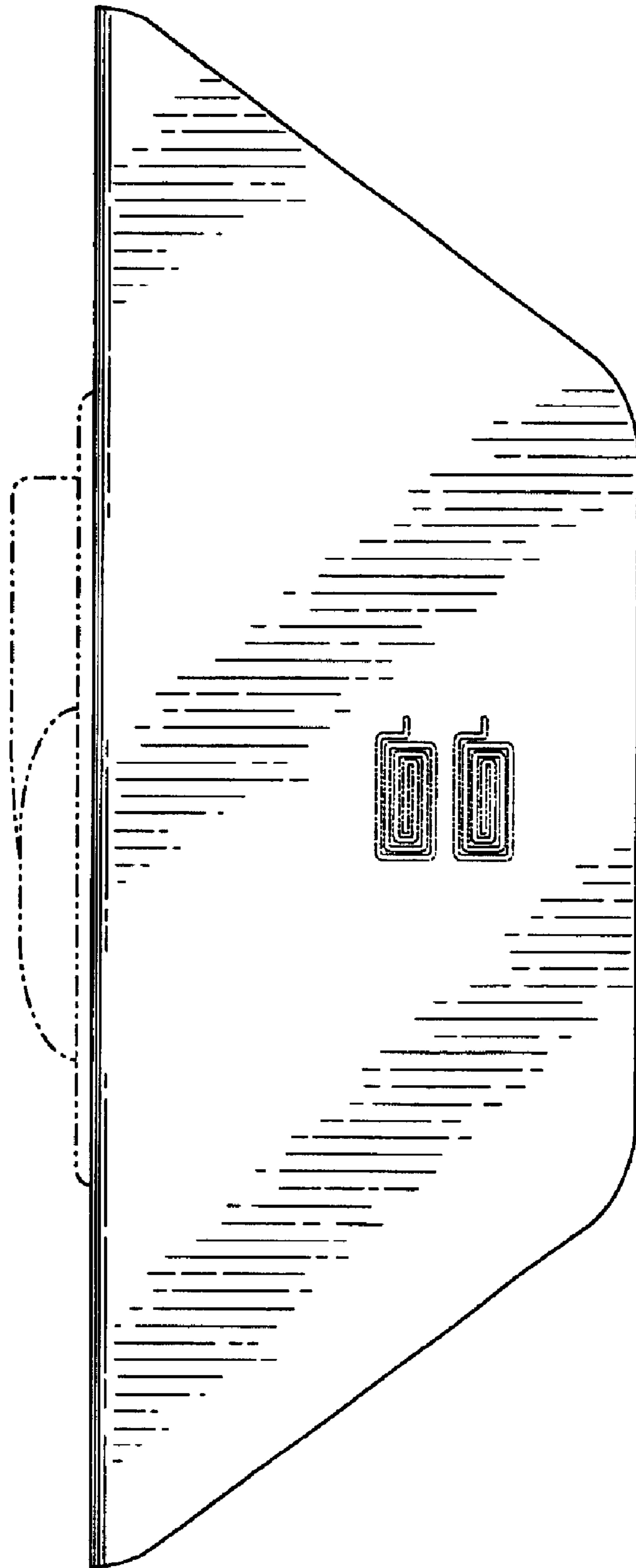


FIG. 3

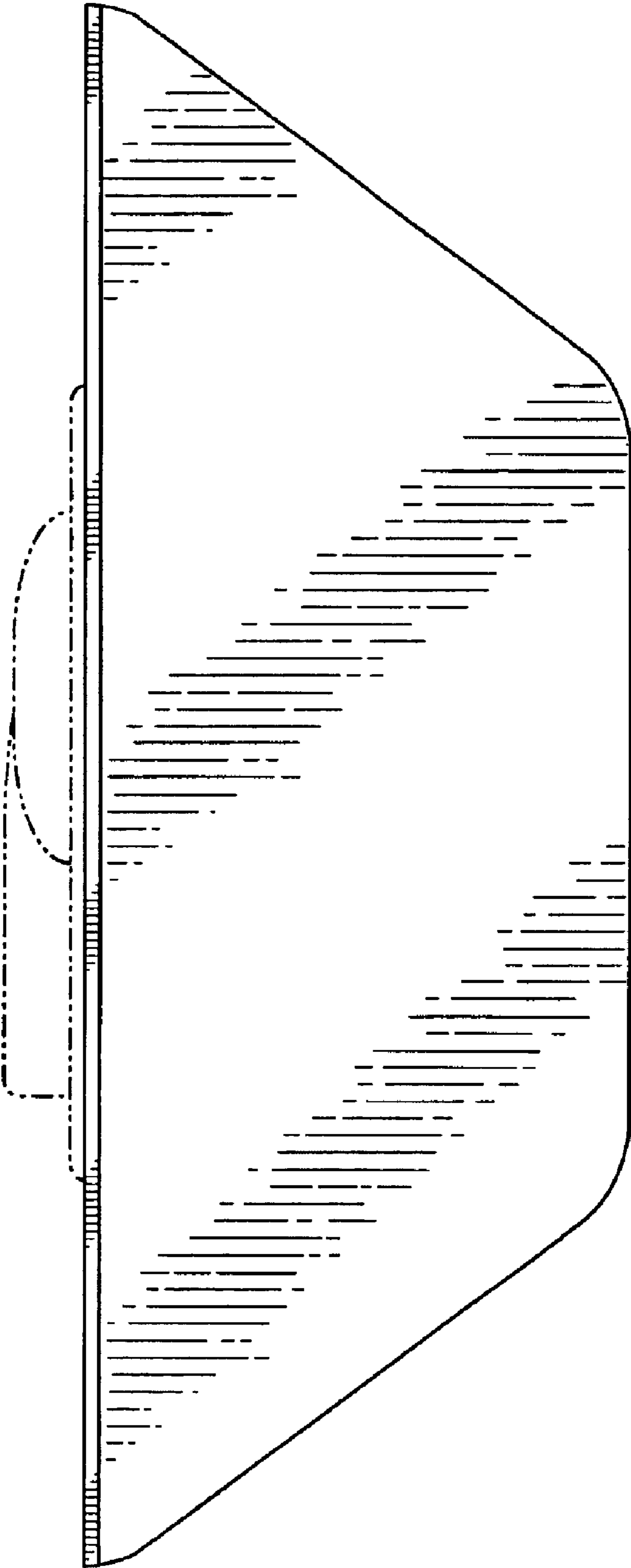


FIG. 4

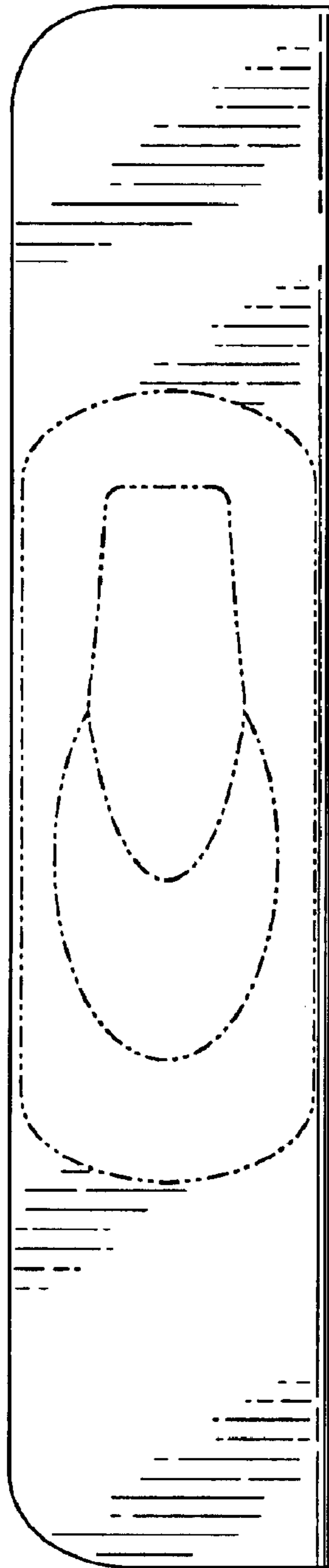


FIG. 5

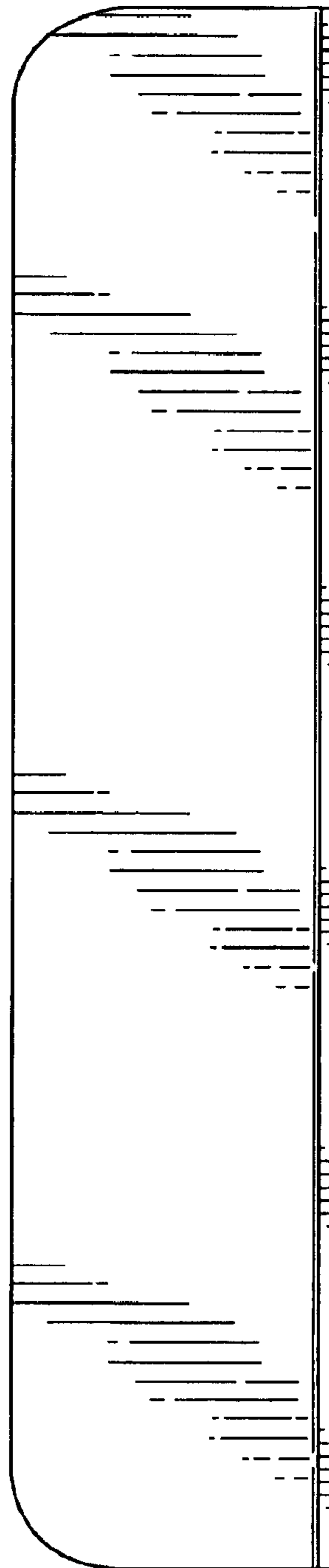


FIG. 6

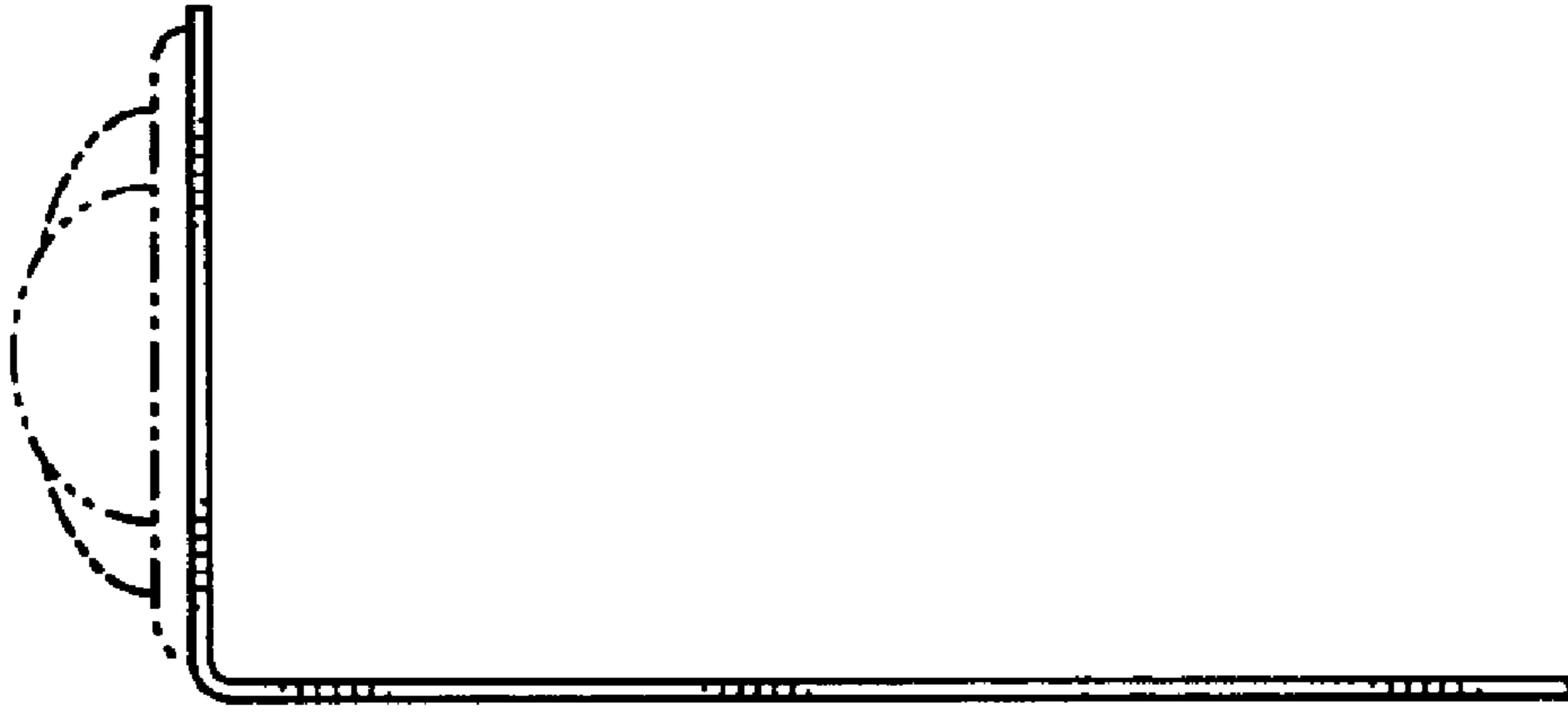


FIG. 8



FIG. 7