



US00D496363S1

(12) **United States Design Patent** (10) **Patent No.:** **US D496,363 S**
Ozolins et al. (45) **Date of Patent:** **** Sep. 21, 2004**

(54) **MULTI-PANEL COMPUTER DISPLAY**
(75) Inventors: **Helmars E. Ozolins**, Orient, NY (US);
Masamichi Udagawa, New York, NY (US); **Alfonso Castagna**, Etobicoke (CA); **Christopher J. H. Stewart**, Toronto (CA); **Alexander Chong**, Thornhill (CA); **Sigrid G. Moeslinger**, New York, NY (US)

D404,026 S 1/1999 Hasegawa
5,904,328 A 5/1999 Leveridge et al.
5,918,841 A 7/1999 Sweere et al.

(List continued on next page.)

FOREIGN PATENT DOCUMENTS

JP 3-291722 12/1991
JP 10-55165 2/1998
JP 11-271730 10/1999

(73) Assignee: **Bloomberg LP**, New York, NY (US)

(**) Term: **14 Years**

(21) Appl. No.: **29/166,844**

(22) Filed: **Sep. 3, 2002**

(51) **LOC (7) Cl.** **14-02**
(52) **U.S. Cl.** **D14/375**
(58) **Field of Search** D14/371-376,
D14/125-129; 248/917-924; 349/12, 1,
2, 11, 62; 345/104, 156, 168, 173, 901-905,
87, 1.1, 1.3; 348/180, 184, 325, 739, 383;
361/681; 341/12

(56) **References Cited**

U.S. PATENT DOCUMENTS

3,909,525 A * 9/1975 Fagan 348/383
D278,820 S 5/1985 Woodhall
D305,646 S 1/1990 Kato et al.
D305,647 S 1/1990 Kato et al.
5,076,524 A 12/1991 Reh et al.
5,122,941 A 6/1992 Gross et al.
5,224,861 A 7/1993 Glass et al.
D340,235 S 10/1993 Robak et al.
5,537,127 A * 7/1996 Jingu 345/1.3
5,590,021 A * 12/1996 Register 361/681
5,593,221 A 1/1997 Evanicky et al.
5,673,170 A 9/1997 Register
5,687,939 A 11/1997 Moscovitch
5,696,529 A 12/1997 Evanicky et al.
D395,041 S 6/1998 Leveridge et al.
D395,298 S 6/1998 Rosen

OTHER PUBLICATIONS

SMARTGLAS Mounting Options, <http://www.pixelvision.com/sgmount.htm>, dated Sep. 8, 1998, pp. 1-4.
SMARTGLAS System Components, <http://www.pixelvision.com/sgcomp.htm>, dated Sep. 8, 1998, pp. 1-3.
Bloomberg LP, "The BLOOMBERG® Flat Panel," brochure, Copyright 2000, 4 pages.
NexTag, "Peerless Industries Peerless Jumbo 2000 Wall Mount—JMW2650/FOR 25-27 Inch MONITORS/Adjustable Tilt UP TO 30 DEGRESS/Black Fused Epoxy Finish—Compare Prices," Copyright 1999-2000, 5 pages.

Primary Examiner—Freda S. Nunn

(74) *Attorney, Agent, or Firm*—Brown Raysman Millstein Felder & Steiner

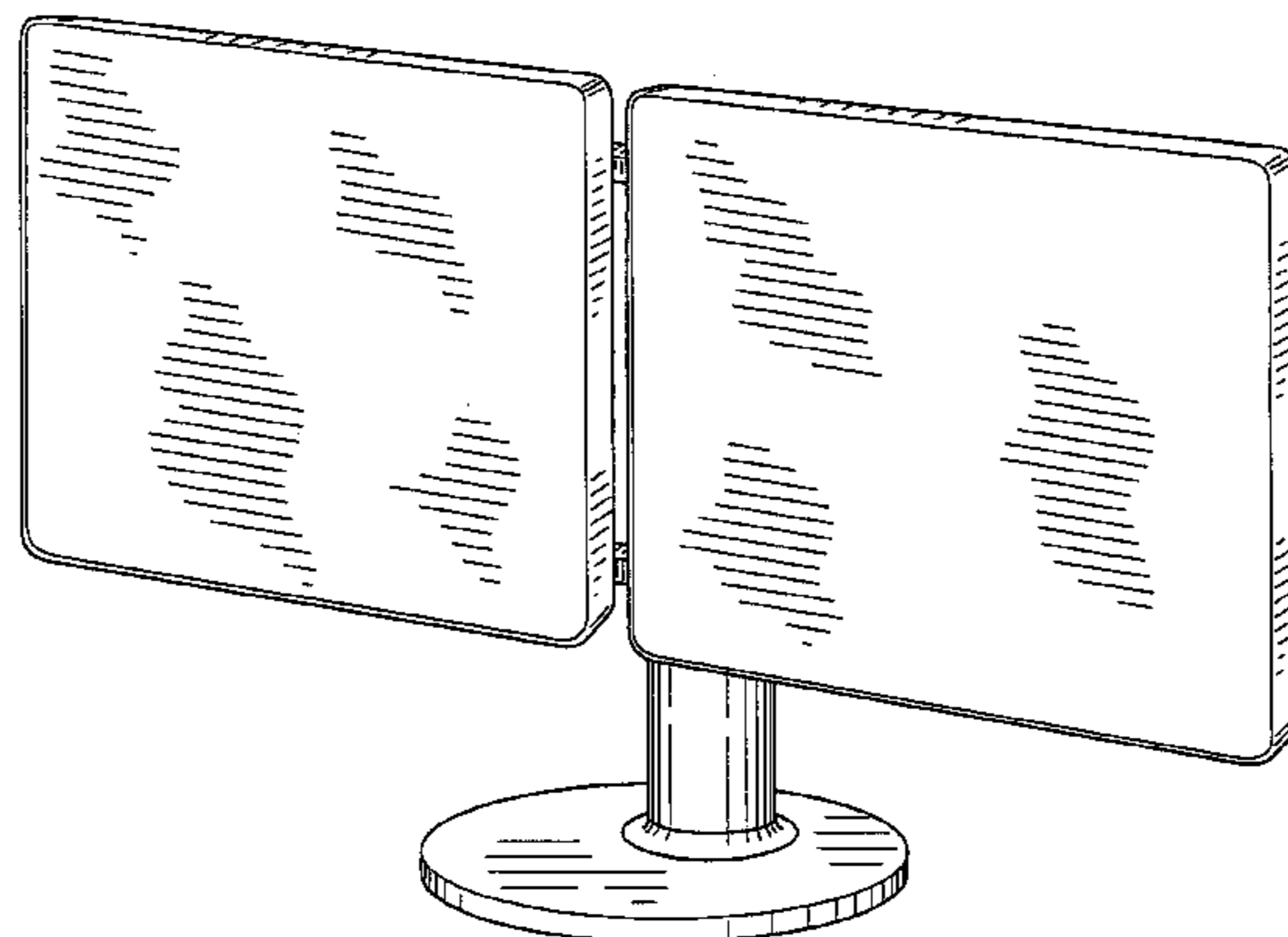
(57) **CLAIM**

We claim the ornamental design for a multi-panel computer display, as shown and described.

DESCRIPTION

FIG. 1 is a front perspective view of our design for a multi-panel computer display.
FIG. 2 is a rear perspective view thereof.
FIG. 3 is a front elevation thereof.
FIG. 4 is a rear elevation thereof.
FIG. 5 is a right side view thereof. The left and right sides of our design are mirror images of each other.
FIG. 6 is a top view thereof; and,
FIG. 7 is a bottom view thereof.

1 Claim, 7 Drawing Sheets



US D496,363 S

Page 2

U.S. PATENT DOCUMENTS

| | | | | | | | |
|----------------|---------|----------------------|---------|-----------------|---------|--------------------|---------|
| 5,949,643 A | 9/1999 | Batio | | 6,295,038 B1 * | 9/2001 | Rebeske | 345/1.1 |
| 6,015,120 A | 1/2000 | Sweere et al. | | D449,302 S * | 10/2001 | Jung | D14/373 |
| 6,019,332 A | 2/2000 | Sweere et al. | | 6,339,410 B1 * | 1/2002 | Milner et al. | 345/1.1 |
| D425,036 S | 5/2000 | Copus et al. | | 6,343,006 B1 | 1/2002 | Moscovitch et al. | |
| 6,061,104 A | 5/2000 | Evanicky et al. | | D458,257 S | 6/2002 | Rosen et al. | |
| 6,094,340 A | 7/2000 | Min | | D458,603 S | 6/2002 | Lee | |
| 6,144,360 A | 11/2000 | Evanicky et al. | | D458,604 S | 6/2002 | Ma et al. | |
| RE36,978 E | 12/2000 | Moscovitch | | D458,927 S | 6/2002 | Wang et al. | |
| 6,189,842 B1 | 2/2001 | Bergeron Gull et al. | | 6,449,143 B2 | 9/2002 | Rooyakkers et al. | |
| 6,204,906 B1 | 3/2001 | Tannas, Jr. | | 6,575,419 B1 | 6/2003 | Masuda et al. | |
| 6,212,068 B1 | 4/2001 | Rooyakkers et al. | | 2002/0011544 A1 | 1/2002 | Bosson | |
| 6,216,989 B1 | 4/2001 | Shioya et al. | | 2002/0020792 A1 | 2/2002 | Lee | |
| 6,222,507 B1 * | 4/2001 | Gouko | 345/1.1 | 2002/0130981 A1 | 9/2002 | Ma et al. | |
| 6,233,138 B1 | 5/2001 | Osgood | | 2002/0149906 A1 | 10/2002 | Ichimura | |
| 6,276,655 B1 | 8/2001 | Byoun | | | | | |

* cited by examiner

FIG. 1

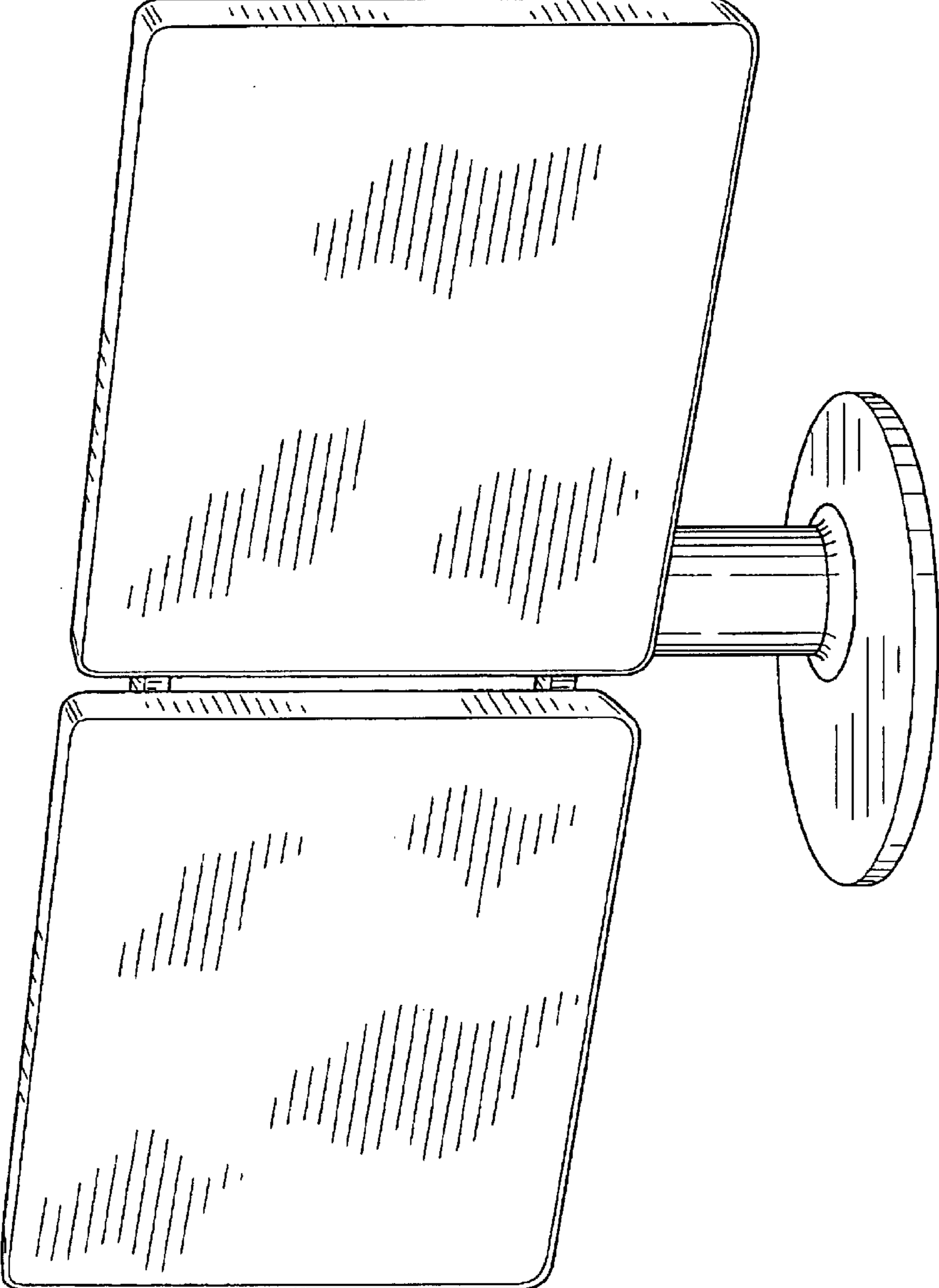


FIG. 2

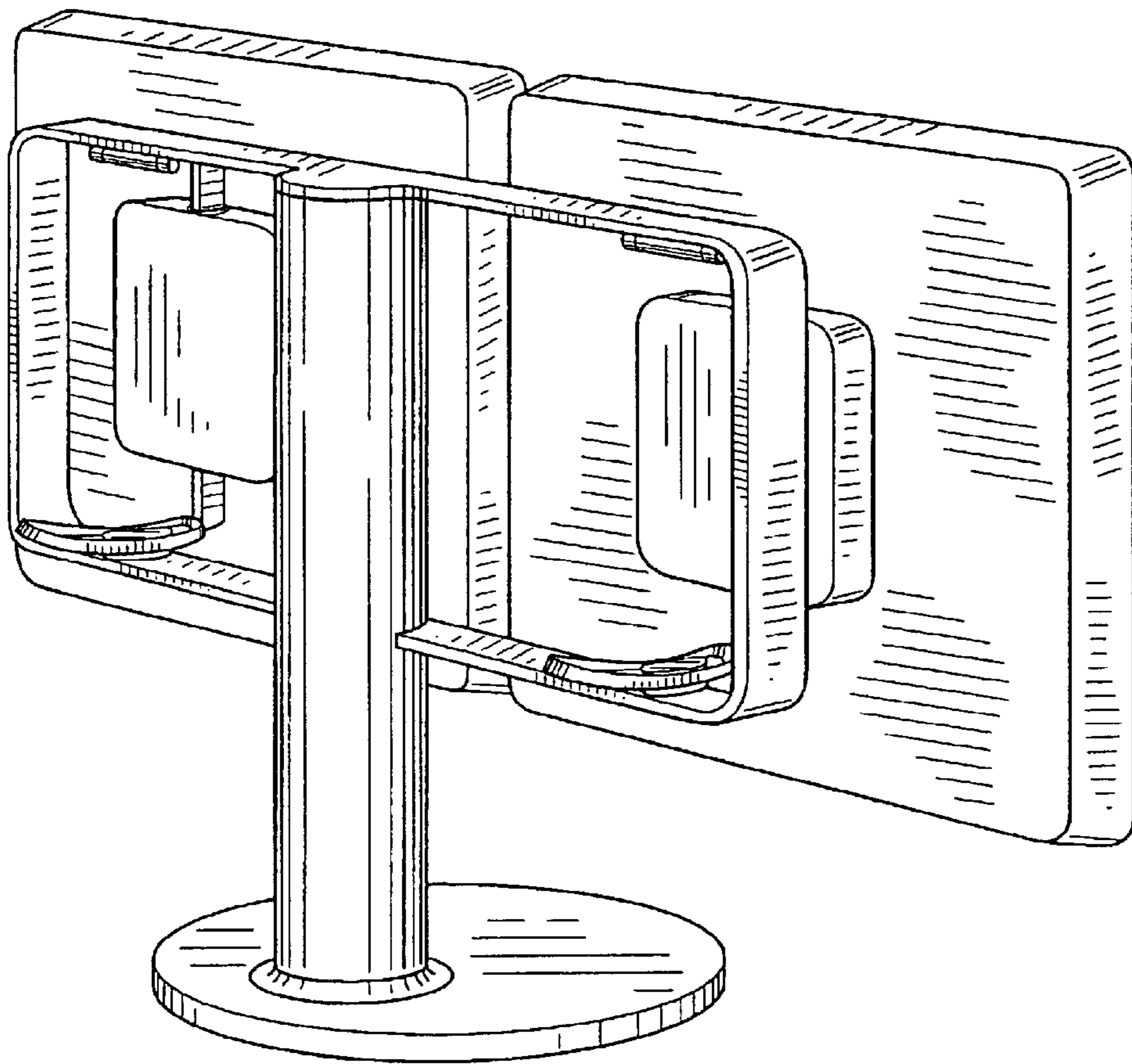


FIG. 3

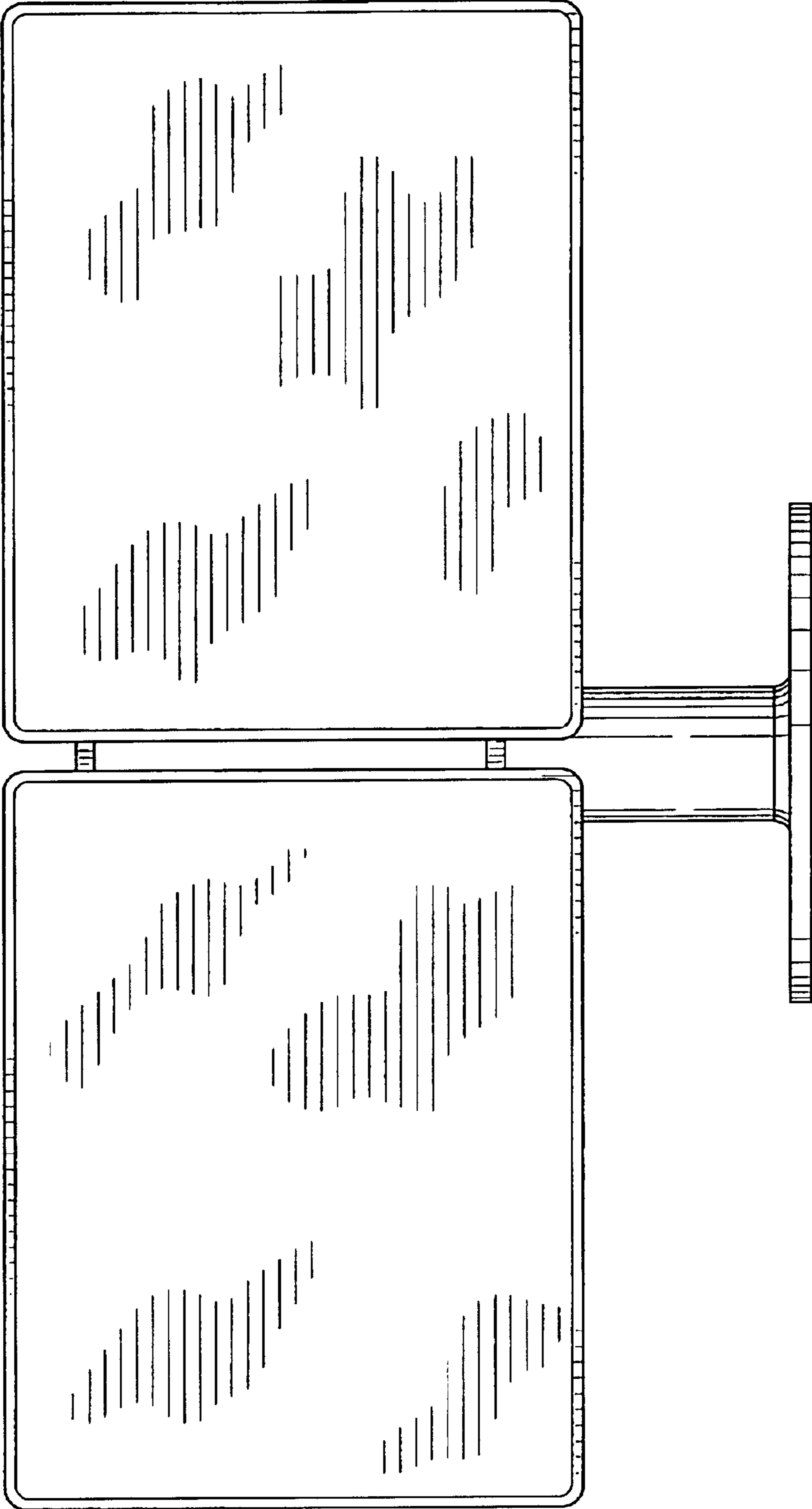


FIG. 4

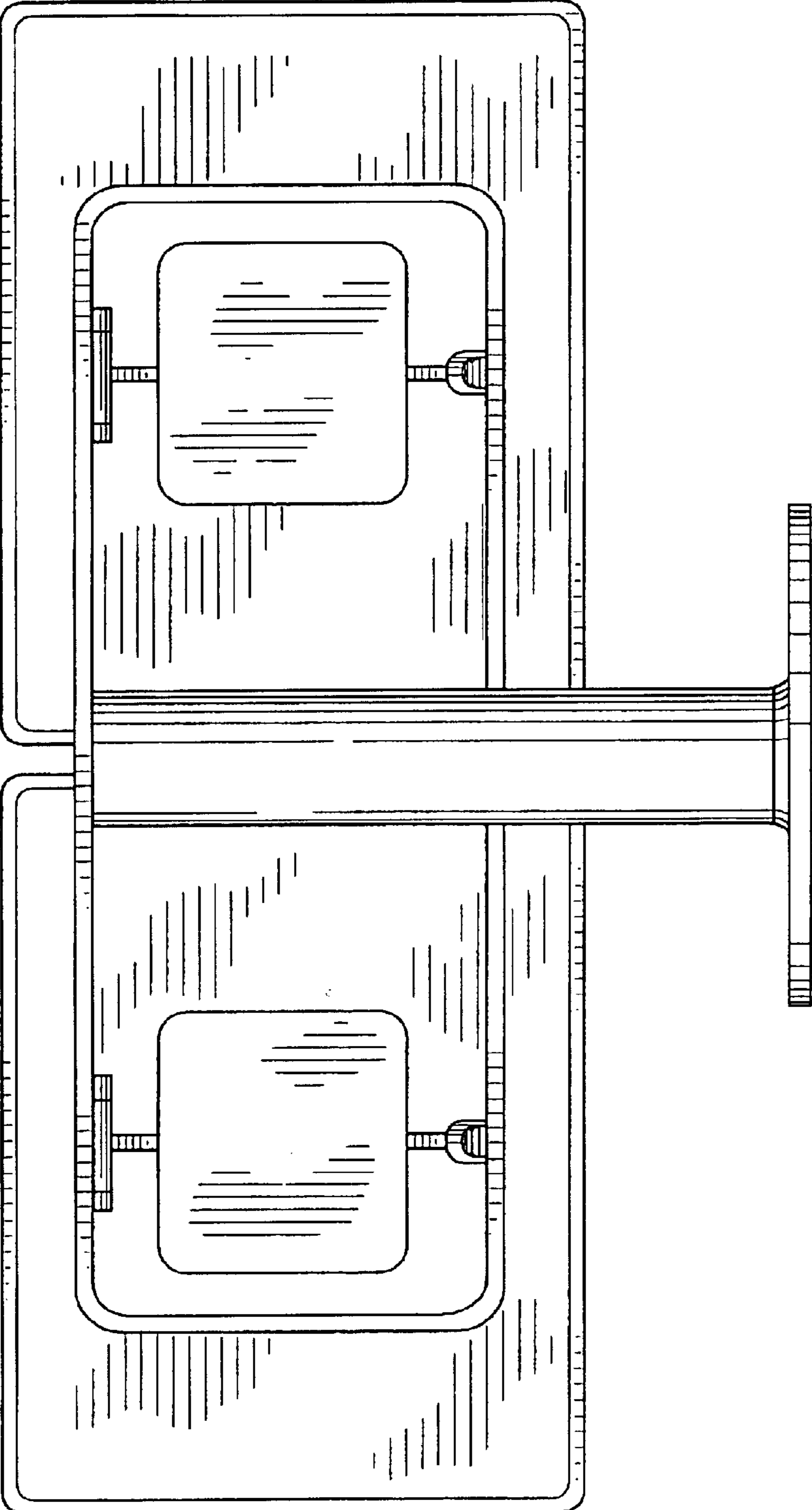


FIG. 5

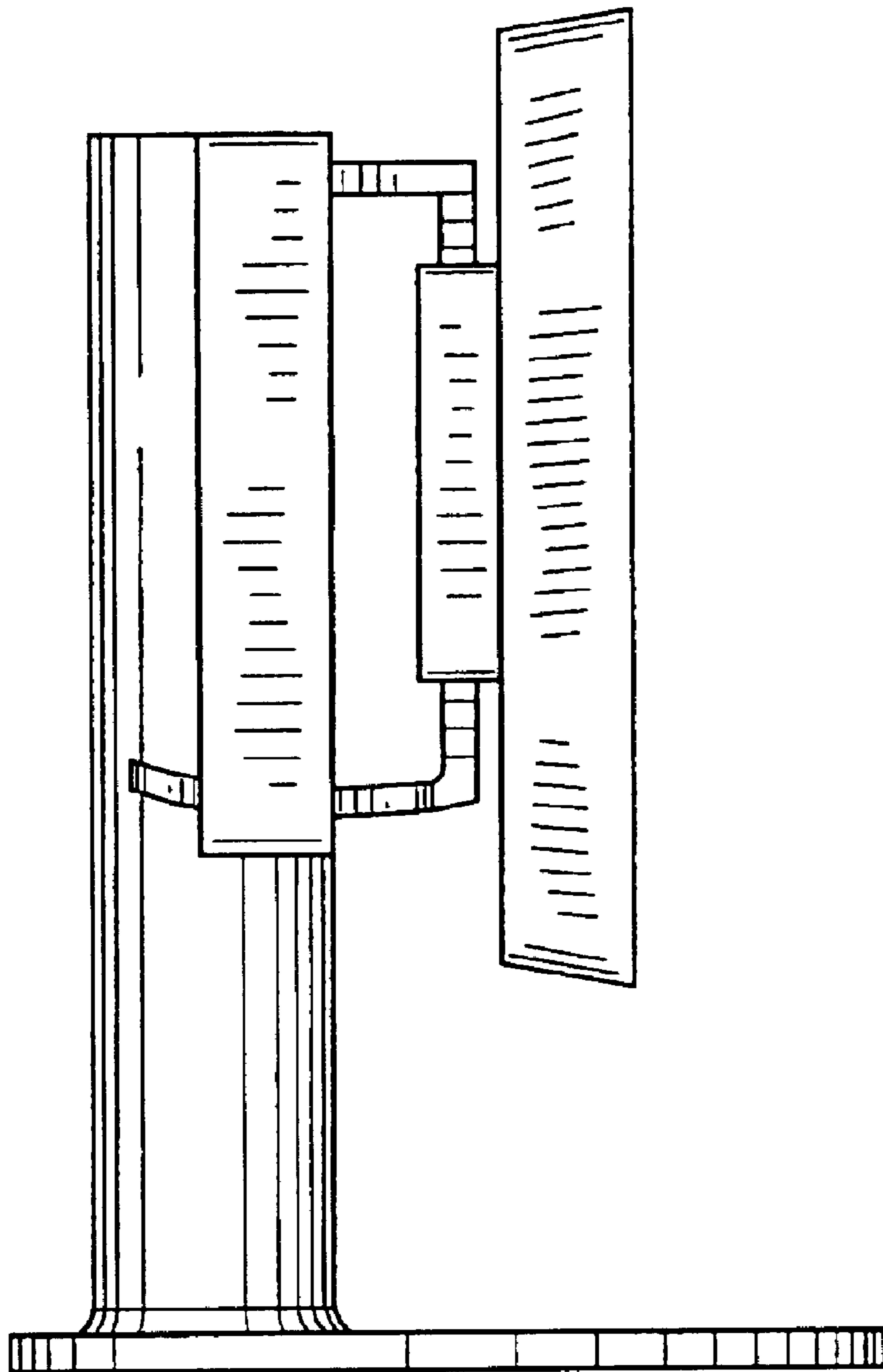


FIG. 6

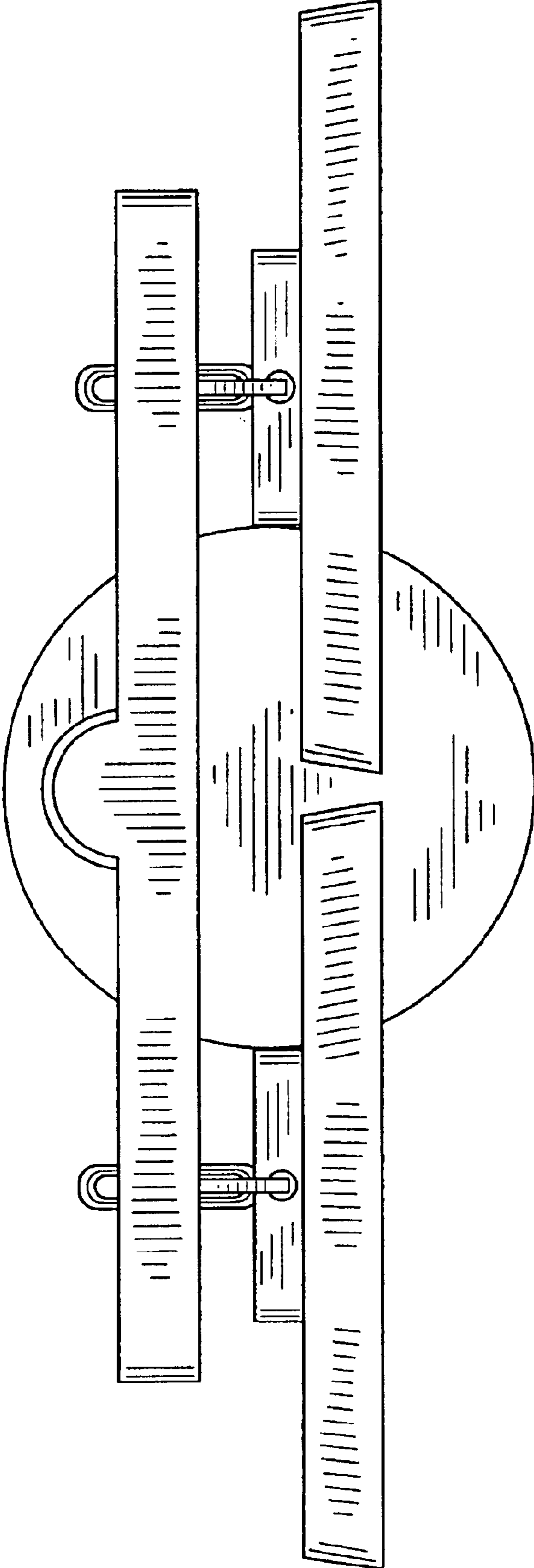


FIG. 7

