

US00D496361S1

(12) **United States Design Patent**  
**Hotta**

(10) **Patent No.:** **US D496,361 S**  
(45) **Date of Patent:** **\*\* Sep. 21, 2004**

(54) **VIDEO MONITOR**

(75) Inventor: **Akihiko Hotta**, Tochigi-ken (JP)

(73) Assignee: **Sharp Kabushiki Kaisha**, Osaka (JP)

(\*\*) Term: **14 Years**

(21) Appl. No.: **29/193,943**

(22) Filed: **Nov. 18, 2003**

(30) **Foreign Application Priority Data**

May 27, 2003 (JP) ..... 2003-014638

(51) **LOC (7) Cl.** ..... **14-02**

(52) **U.S. Cl.** ..... **D14/374**

(58) **Field of Search** ..... D14/371-375,  
D14/125-129, 341; 341/12; 345/104, 156,  
168, 173; 348/180, 184, 325, 739; 349/1,  
2, 11, 62

(56) **References Cited**

**U.S. PATENT DOCUMENTS**

D382,259 S \* 8/1997 Nagai et al. .... D14/374  
D388,077 S \* 12/1997 Starck ..... D14/126  
D392,628 S 3/1998 Hayashi  
D395,453 S 6/1998 Kawasaki et al.  
D424,068 S \* 5/2000 Takemasa ..... D14/374

D424,538 S \* 5/2000 Hayashi et al. .... D14/374  
D427,169 S 6/2000 Saeki et al.  
D429,227 S 8/2000 Shimizu  
D431,537 S 10/2000 Saeki et al.  
D432,101 S 10/2000 Oba  
D438,848 S 3/2001 Kita  
D439,224 S 3/2001 Kita  
D439,225 S 3/2001 Kita  
D453,333 S \* 2/2002 Chen ..... D14/374

\* cited by examiner

*Primary Examiner*—Freda S. Nunn

(74) *Attorney, Agent, or Firm*—Nixon & Vanderhye

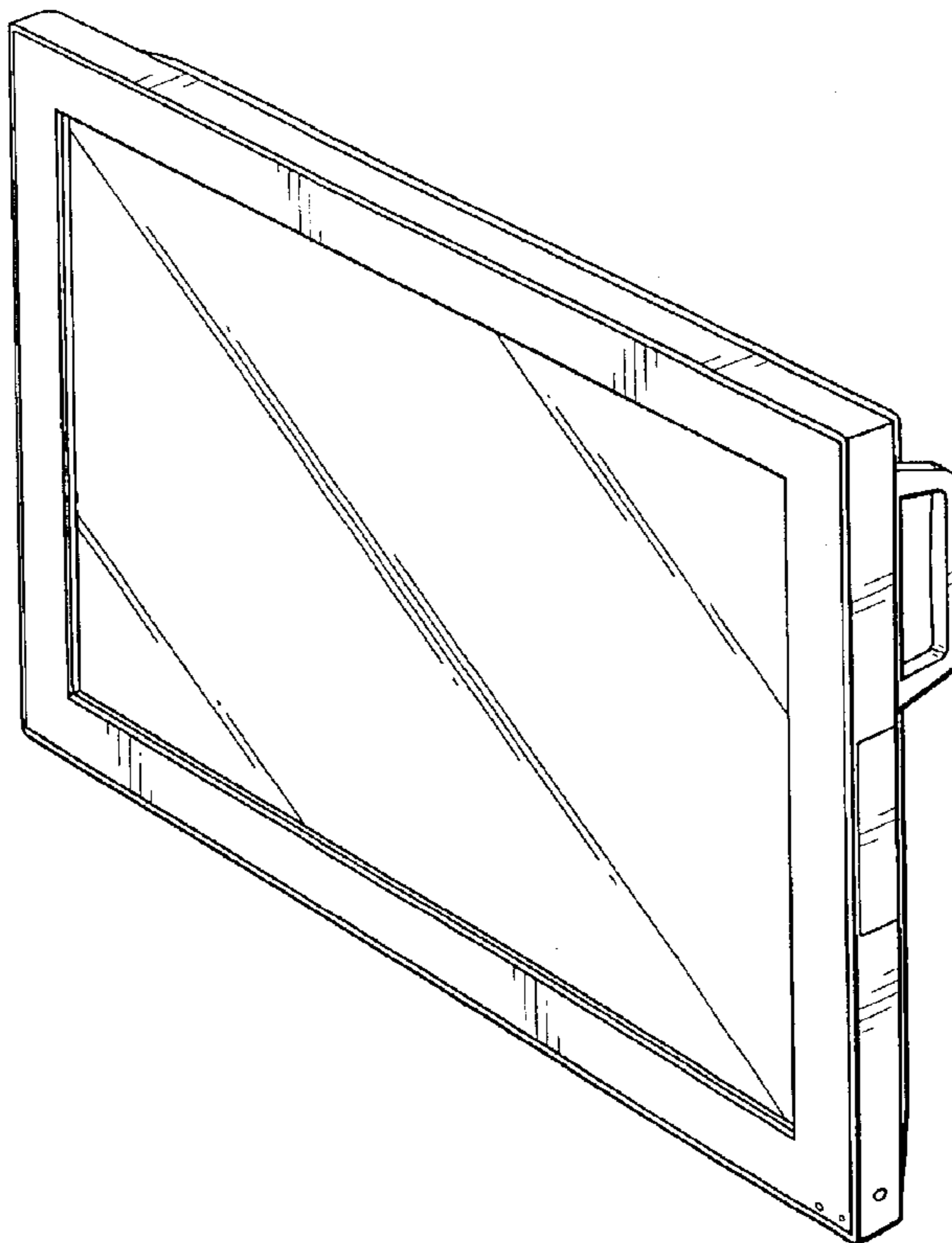
(57) **CLAIM**

The ornamental design for a “video monitor”, as shown and described.

**DESCRIPTION**

FIG. 1 is a top, front and right side perspective view of a video monitor according to my design;  
FIG. 2 is a front elevational view thereof;  
FIG. 3 is a rear elevational view thereof;  
FIG. 4 is a top plan view thereof  
FIG. 5 is a bottom plan view thereof.  
FIG. 6 is a right side elevational view thereof; and,  
FIG. 7 is a left side elevational view thereof.

**1 Claim, 5 Drawing Sheets**



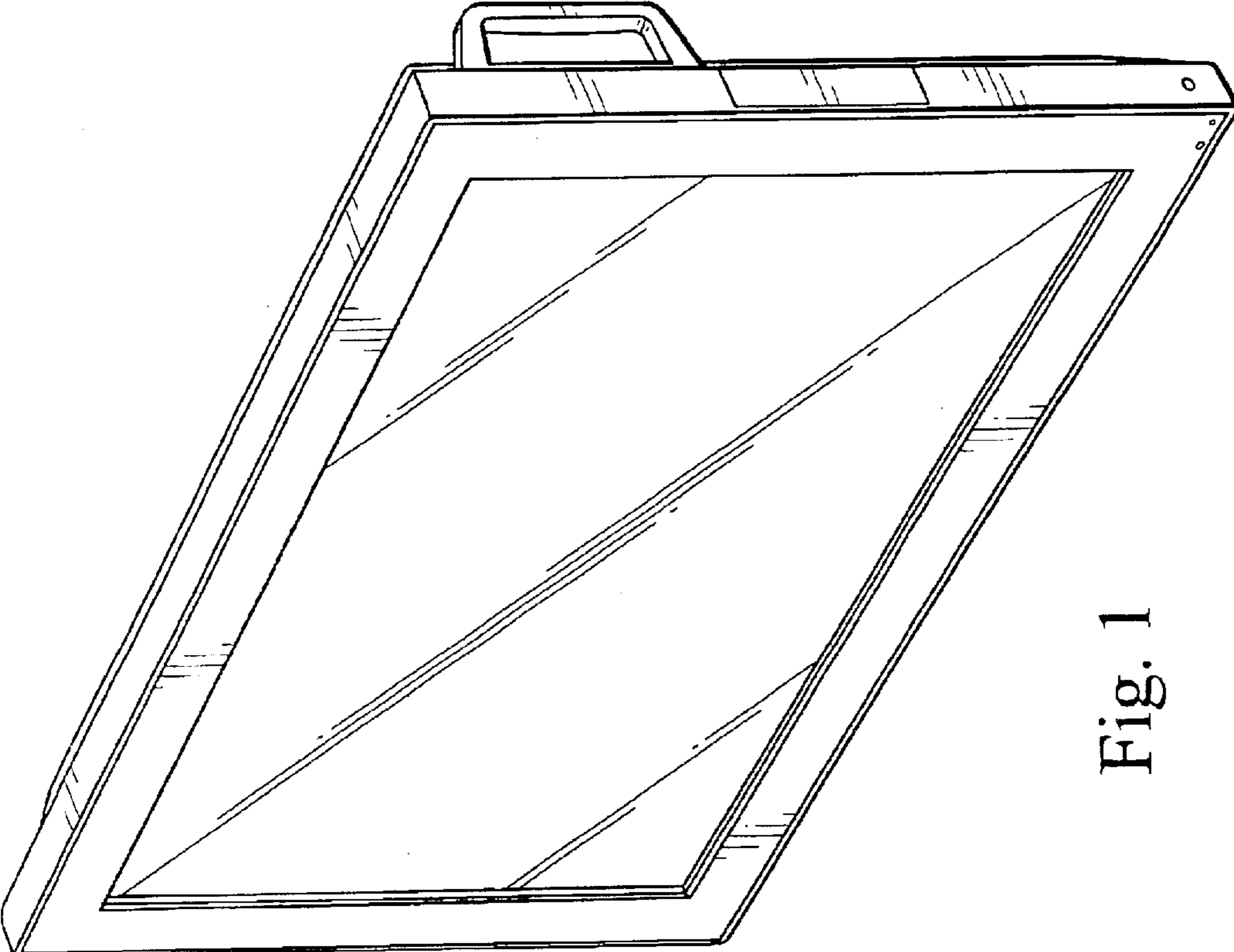


Fig. 1

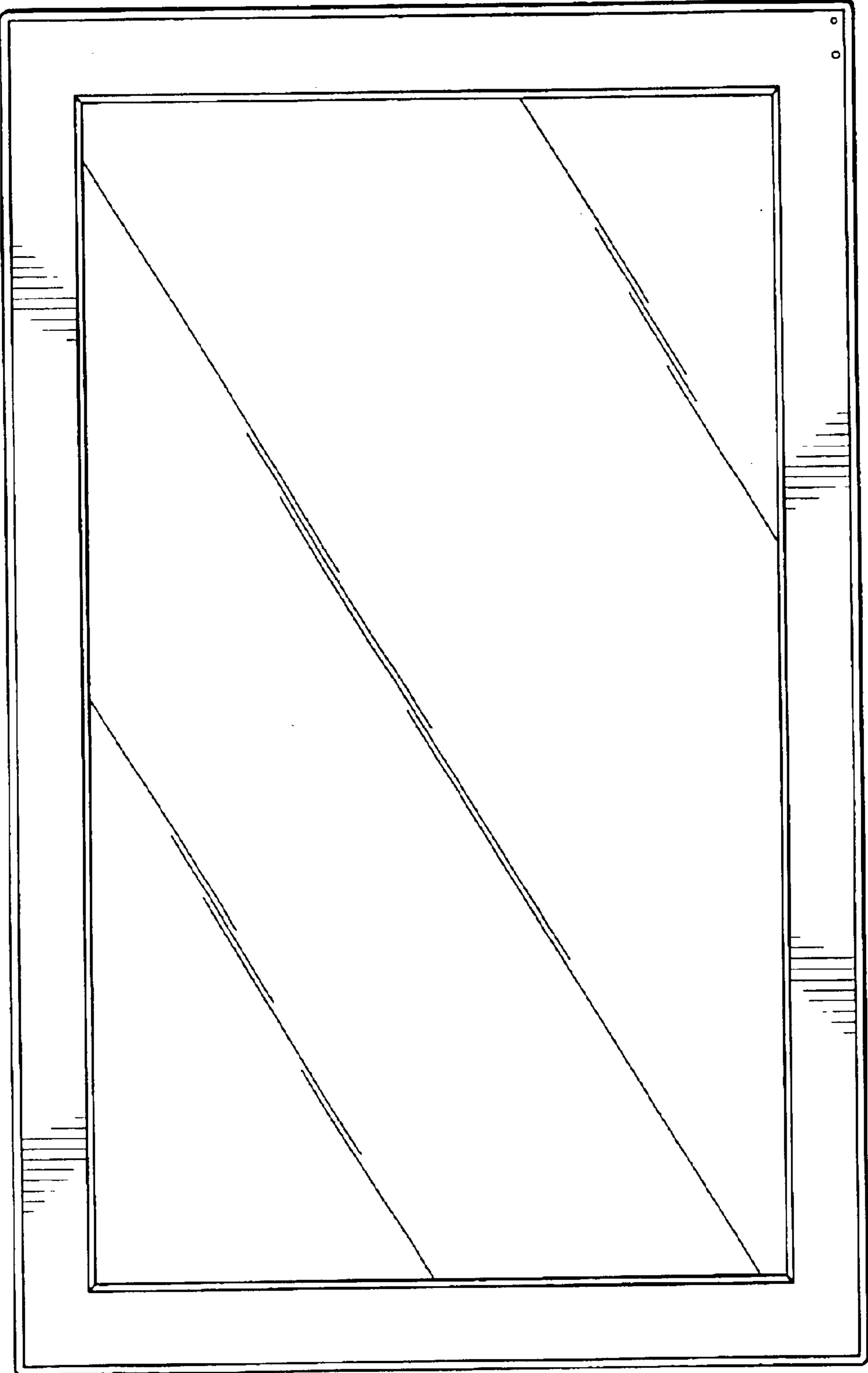


Fig. 2

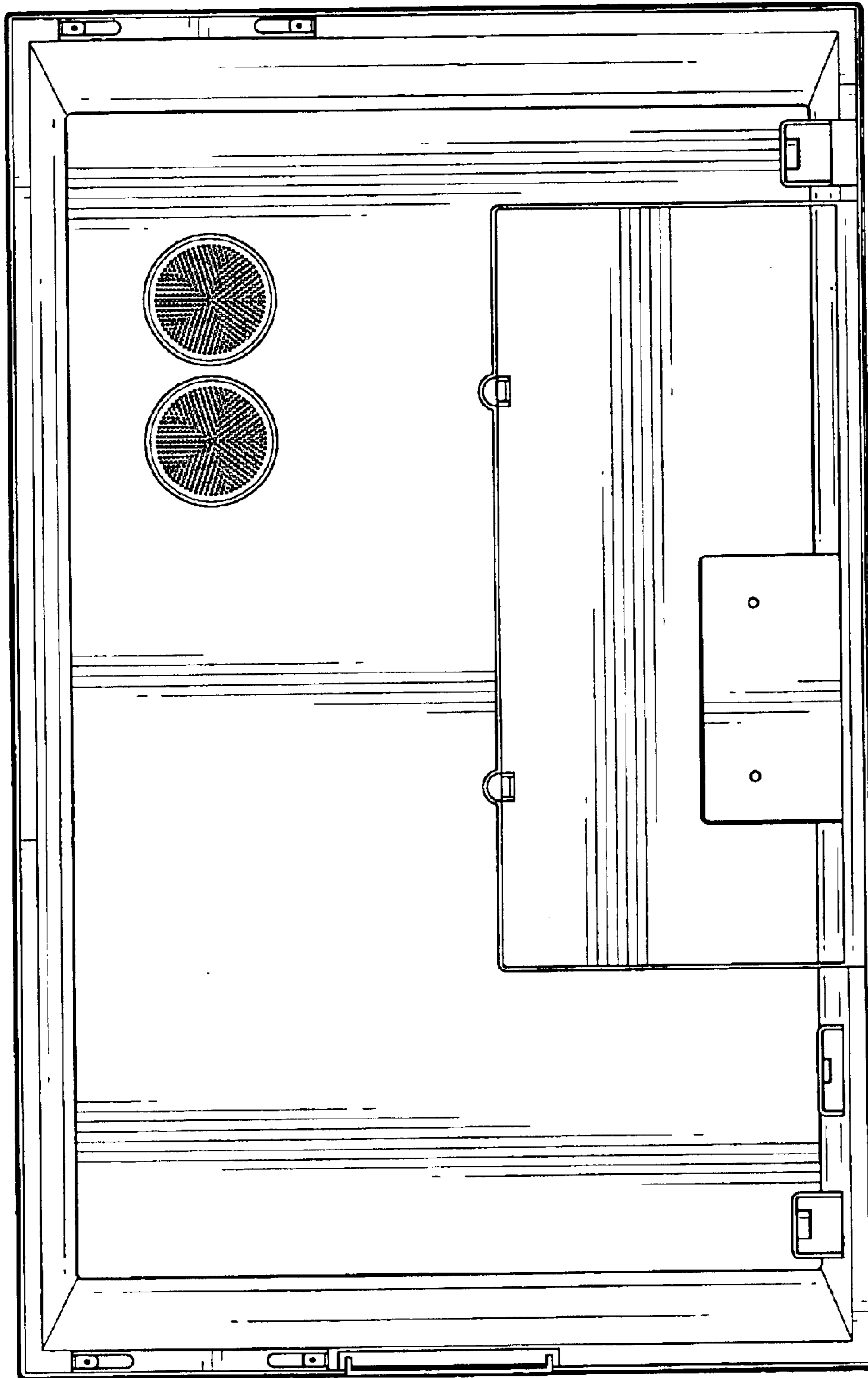


Fig. 3

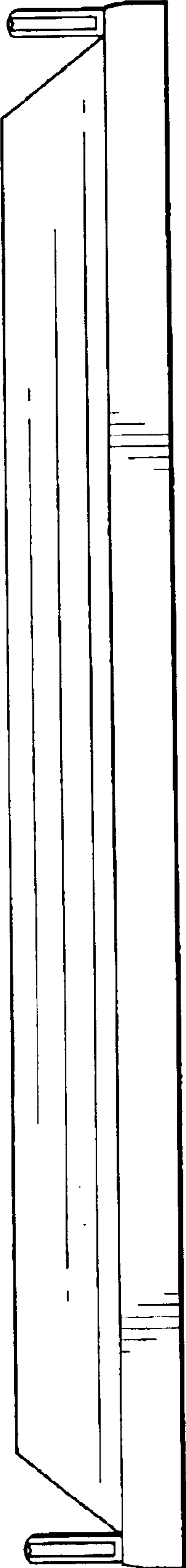


Fig. 4

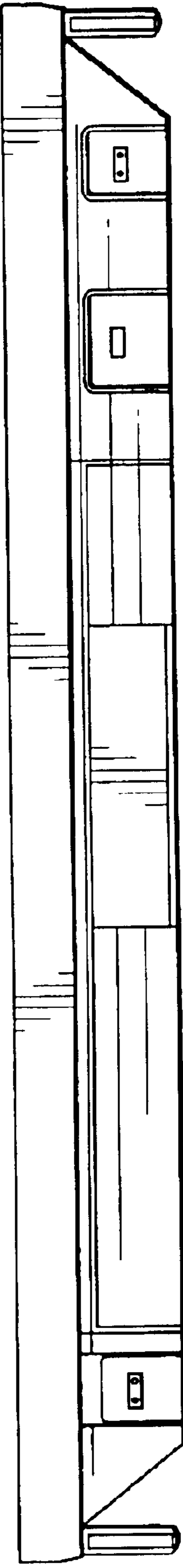


Fig. 5

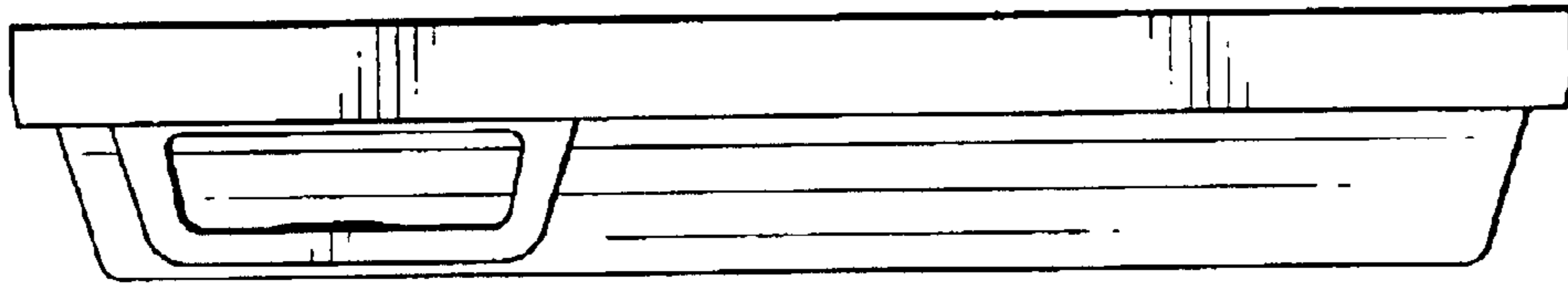


Fig. 7

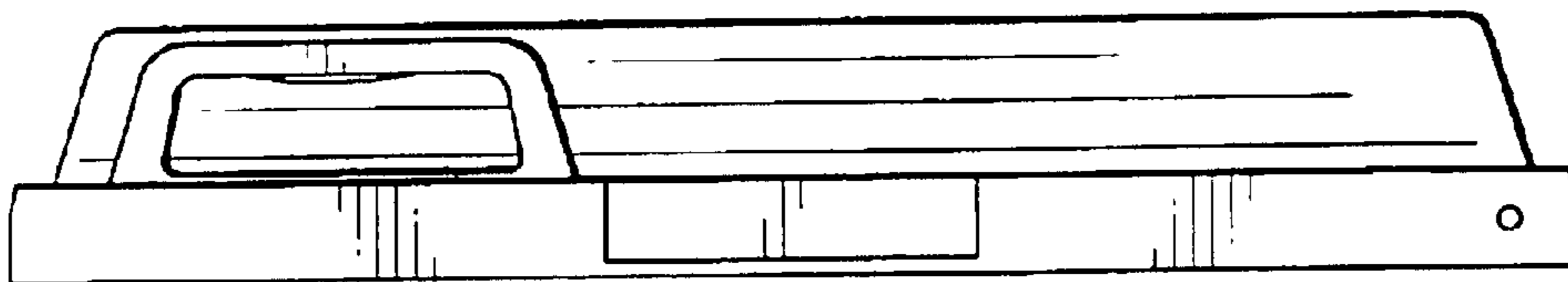


Fig. 6