

US00D496354S1

(12) **United States Design Patent** (10) **Patent No.:** **US D496,354 S**
Quilling, II (45) **Date of Patent:** **** Sep. 21, 2004**

(54) **RECESSED DIN/ISO AUTO STEREO MOUNTING DEVICE WITH REAR SUPPORT**

(75) Inventor: **R. Spencer Quilling, II**, Glenwood, FL (US)

(73) Assignee: **Metra Electronics Corporation**, Holly Hill, FL (US)

(**) Term: **14 Years**

(21) Appl. No.: **29/188,825**

(22) Filed: **Aug. 26, 2003**

(51) **LOC (7) Cl.** **14-01**

(52) **U.S. Cl.** **D14/224**

(58) **Field of Search** D14/204, 217, D14/224, 258, 229; D12/223; 248/27.1, 27.3, 220.2, 221.3, 221.4, 558; 403/4; 455/345; 361/685

(56) **References Cited**

U.S. PATENT DOCUMENTS

5,106,039 A	4/1992	Gross	
5,467,947 A	11/1995	Quilling, II	
D401,591 S	11/1998	Jones, Jr.	
D418,838 S	1/2000	Jones, Jr.	
D478,903 S	* 8/2003	Metzler	D14/257
D481,378 S	* 10/2003	Quilling et al.	D14/224
D481,707 S	11/2003	Quilling, II et al.	
D482,023 S	11/2003	Quilling, II et al.	
D482,024 S	* 11/2003	Quilling et al.	D14/224
D483,027 S	* 12/2003	Quilling et al.	D14/224
D484,495 S	12/2003	Quilling, II et al.	
D485,260 S	* 1/2004	Quilling et al.	D14/224

OTHER PUBLICATIONS

Metra 2001 Autosound Installation Products Catalog, Cover, pp. 1-62, Published May 2001.

Metra 2002 Autosound Installation Products Catalog, Cover, pp. 6-64, Published Oct. 2002.

U.S. patent application Ser. No. 29/188,824, Quilling, filed Aug. 26, 2003.

U.S. patent application Ser. No. 29/188,820, Quilling, filed Aug. 26, 2003.

U.S. patent application Ser. No. 29/188,821, Quilling, filed Aug. 26, 2003.

U.S. patent application Ser. No. 29/188,823, Quilling, filed Aug. 26, 2003.

U.S. patent application Ser. No. 29/188,822, Quilling, filed Aug. 26, 2003.

* cited by examiner

Primary Examiner—Paula A. Greene

(74) *Attorney, Agent, or Firm*—Fitzpatrick, Cella, Harper & Scinto

(57) **CLAIM**

I claim the ornamental design for a recessed DIN/ISO auto stereo mounting device with rear support, as shown and described.

DESCRIPTION

FIG. 1 is a right front perspective view of a DIN/ISO auto stereo mounting device with rear support, showing my design;

FIG. 2 is a front elevation view of FIG. 1;

FIG. 3 is a top plan view of FIG. 1;

FIG. 4A is a right side elevation view of FIG. 1, the left side being a mirror image thereof;

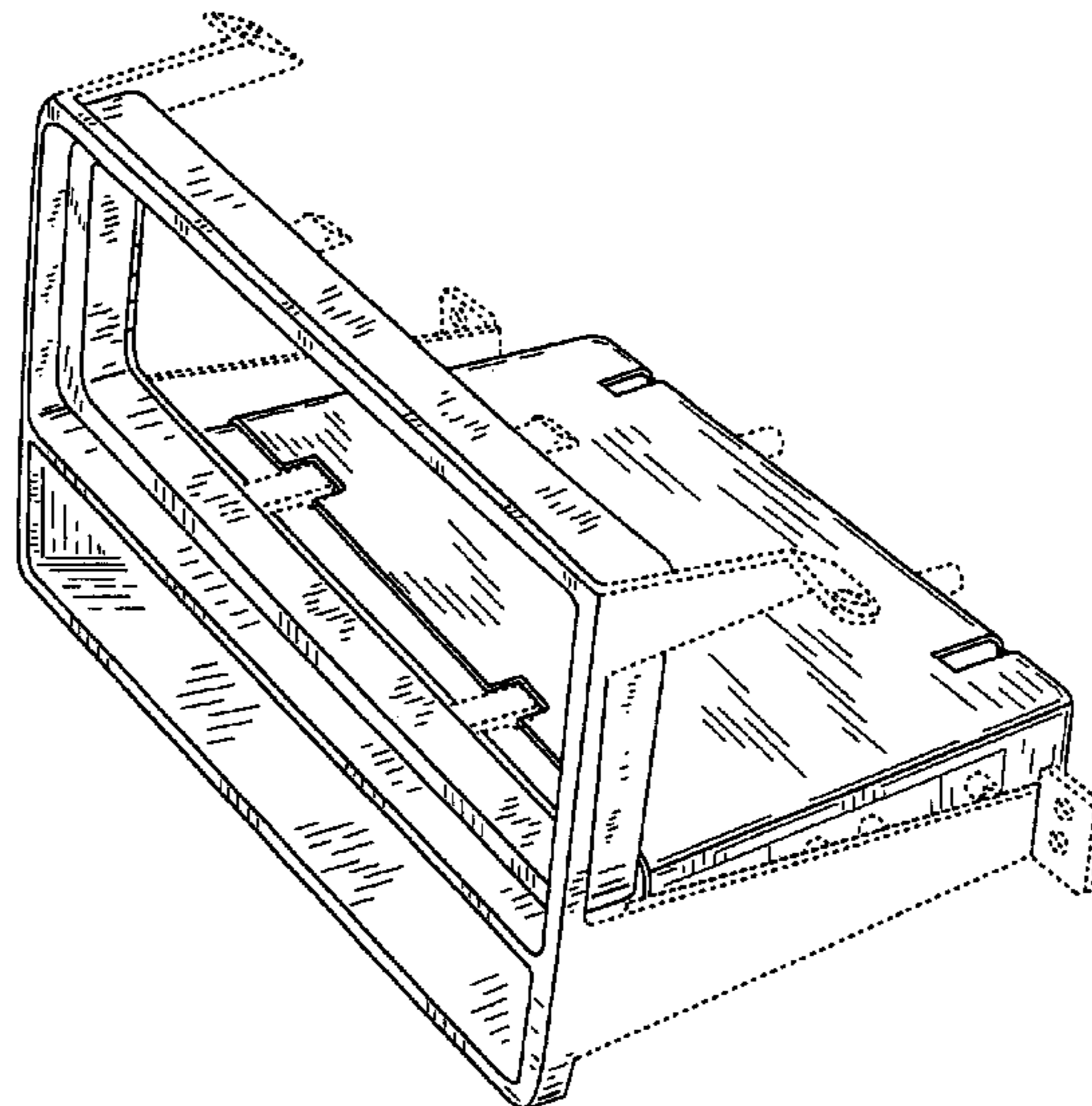
FIG. 4B is a right side elevation in cross-section, along line 4B-4B of FIG. 2, to better illustrate certain features of the disclosed design;

FIG. 5 is a bottom plan view of FIG. 1; and,

FIG. 6 is a rear elevation view of FIG. 1.

The appearance of my design for a recessed DIN/ISO auto stereo mounting device with rear support, characterized by a front surface into which a DIN/ISO unit is inserted above a narrow horizontal pocket. The mounting structure shown in dotted line forms no part of the claimed design.

1 Claim, 7 Drawing Sheets



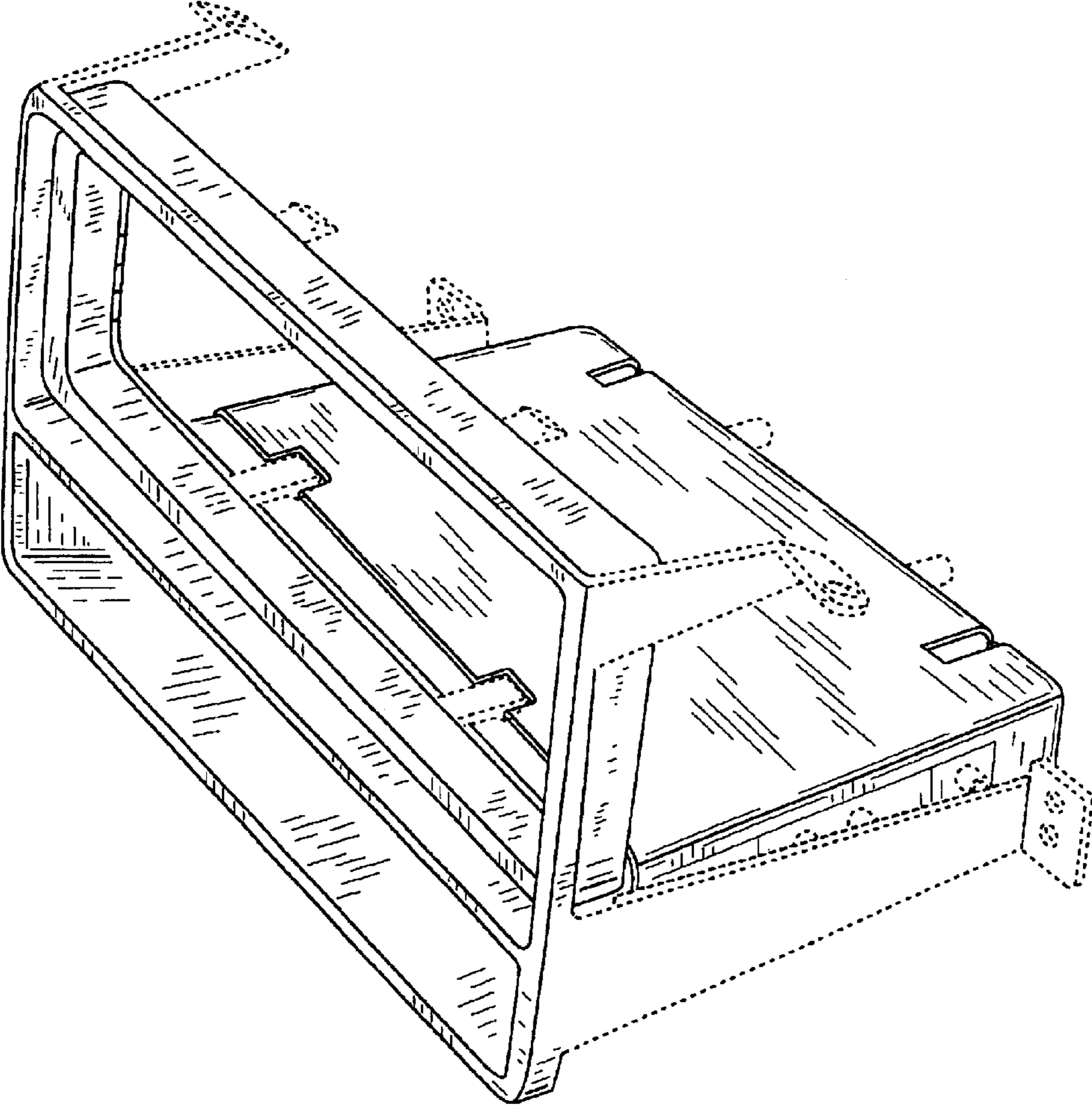


FIG. 1

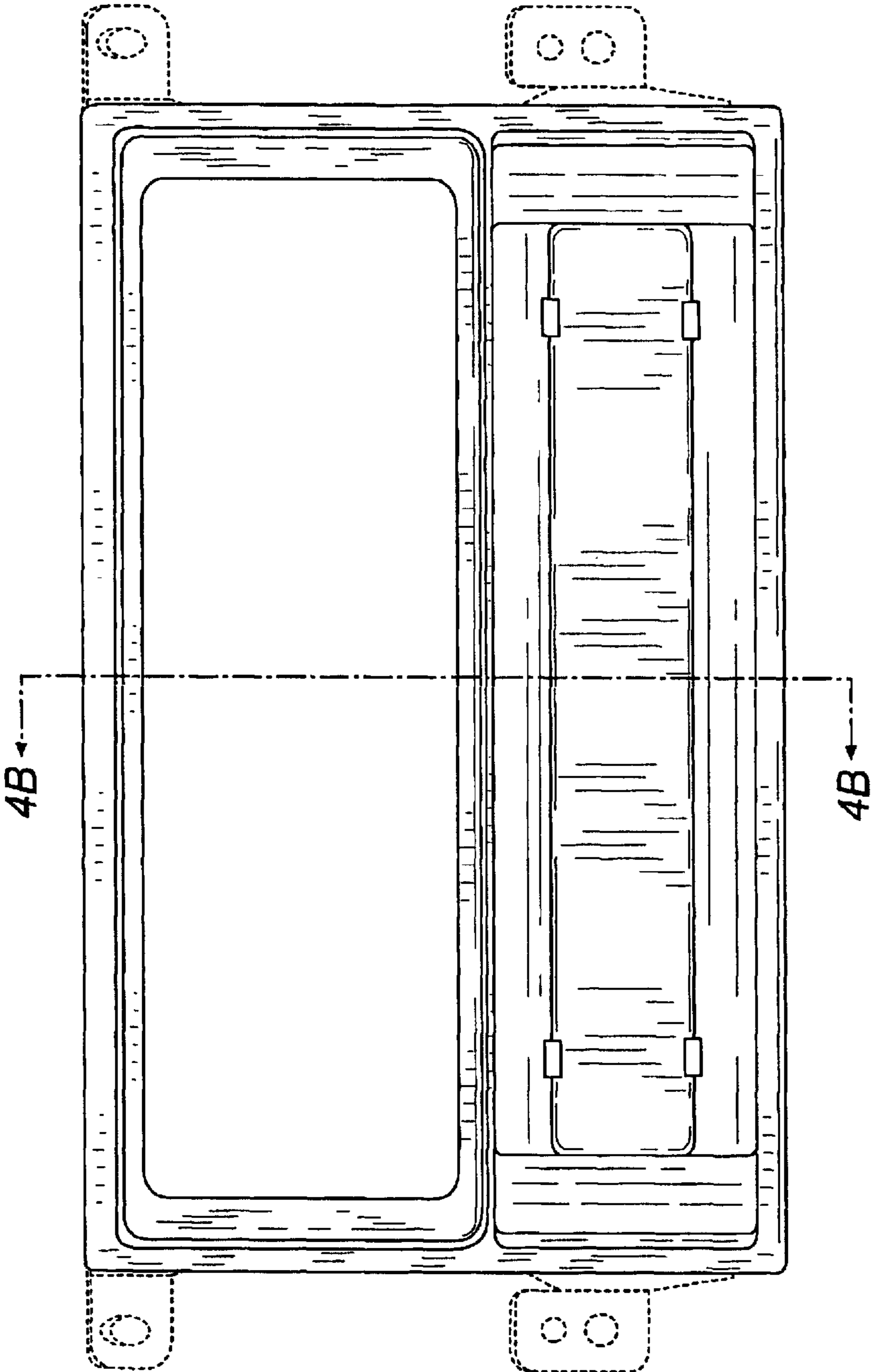


FIG. 2

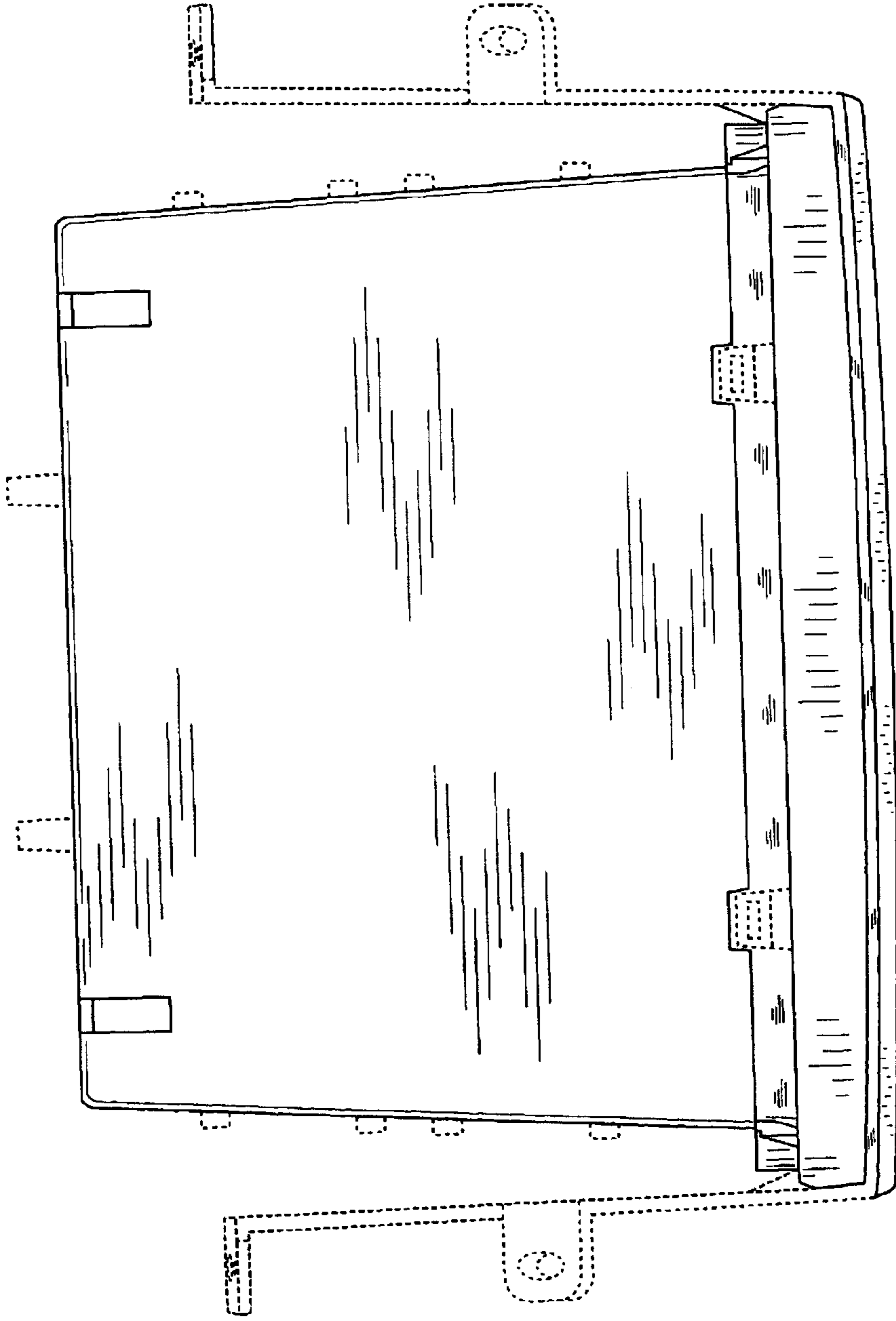


FIG. 3

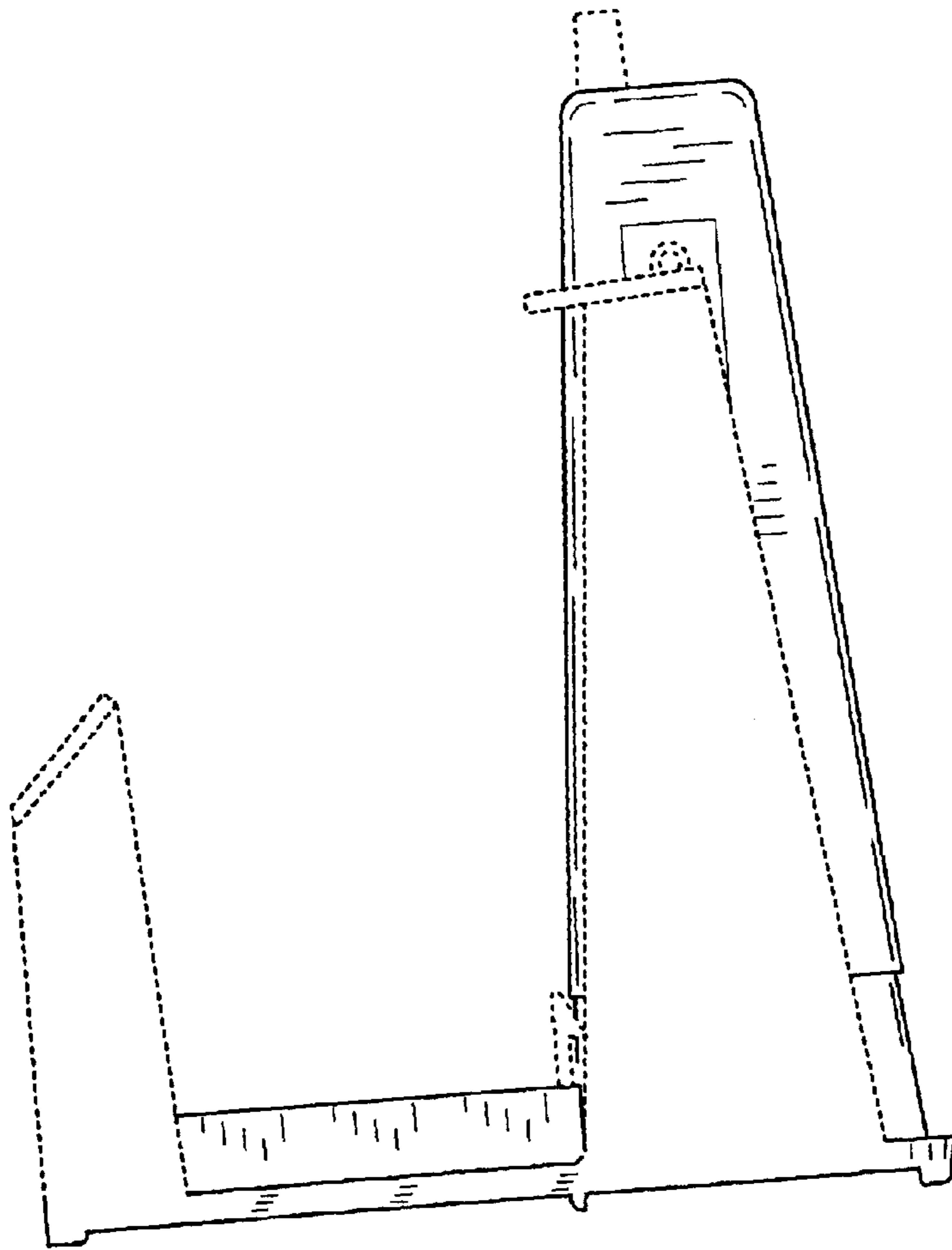


FIG. 4A

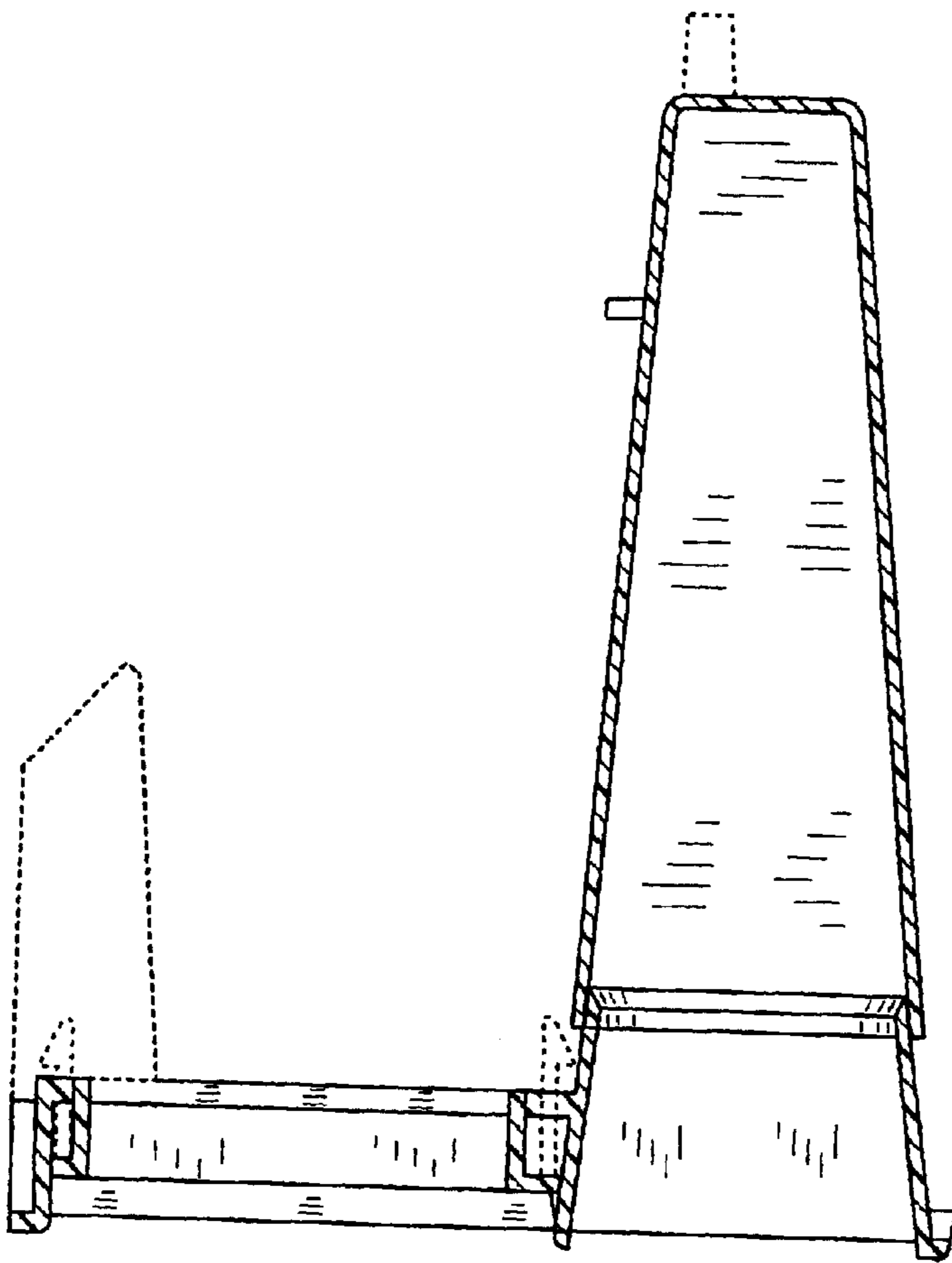


FIG. 4B

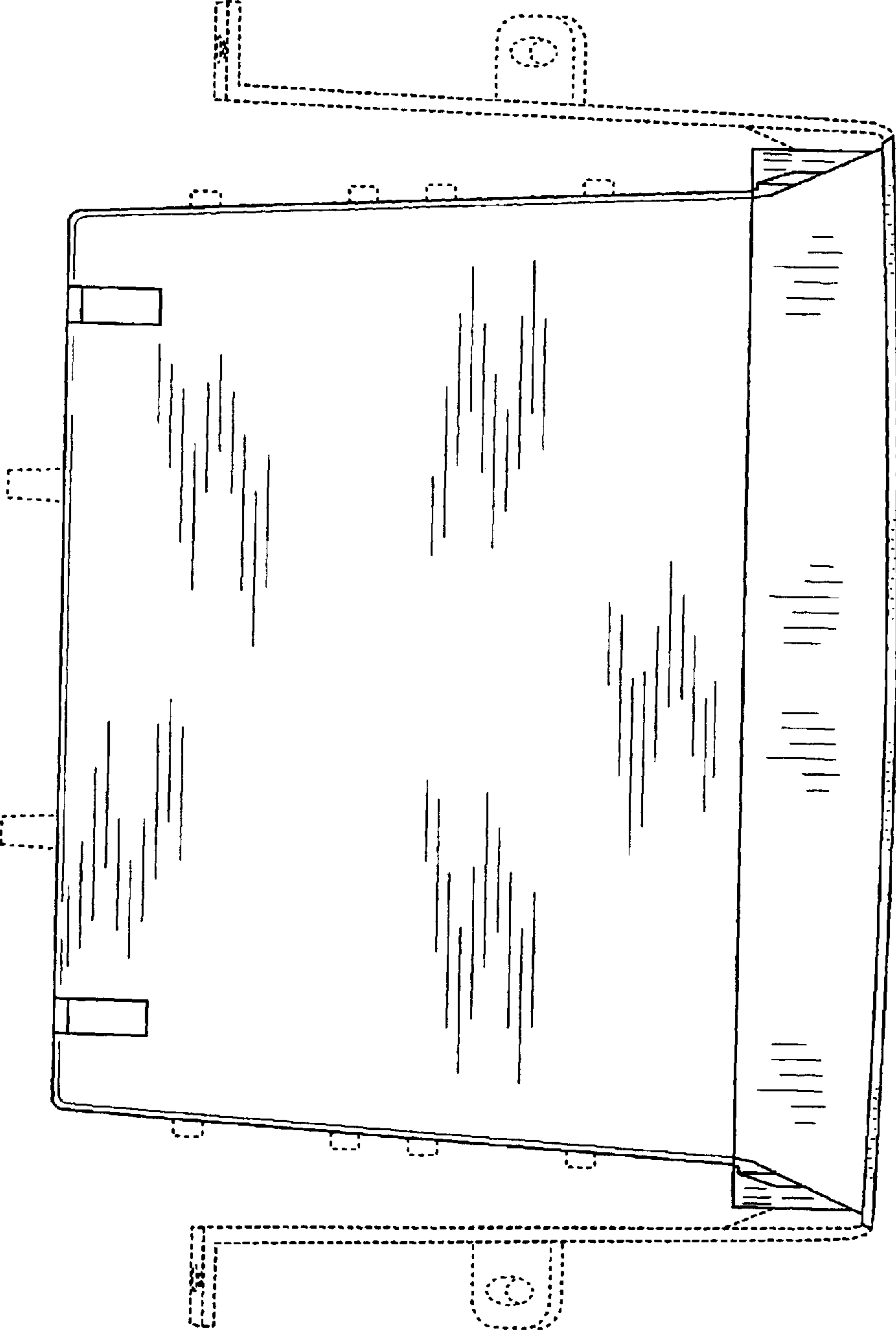


FIG. 5

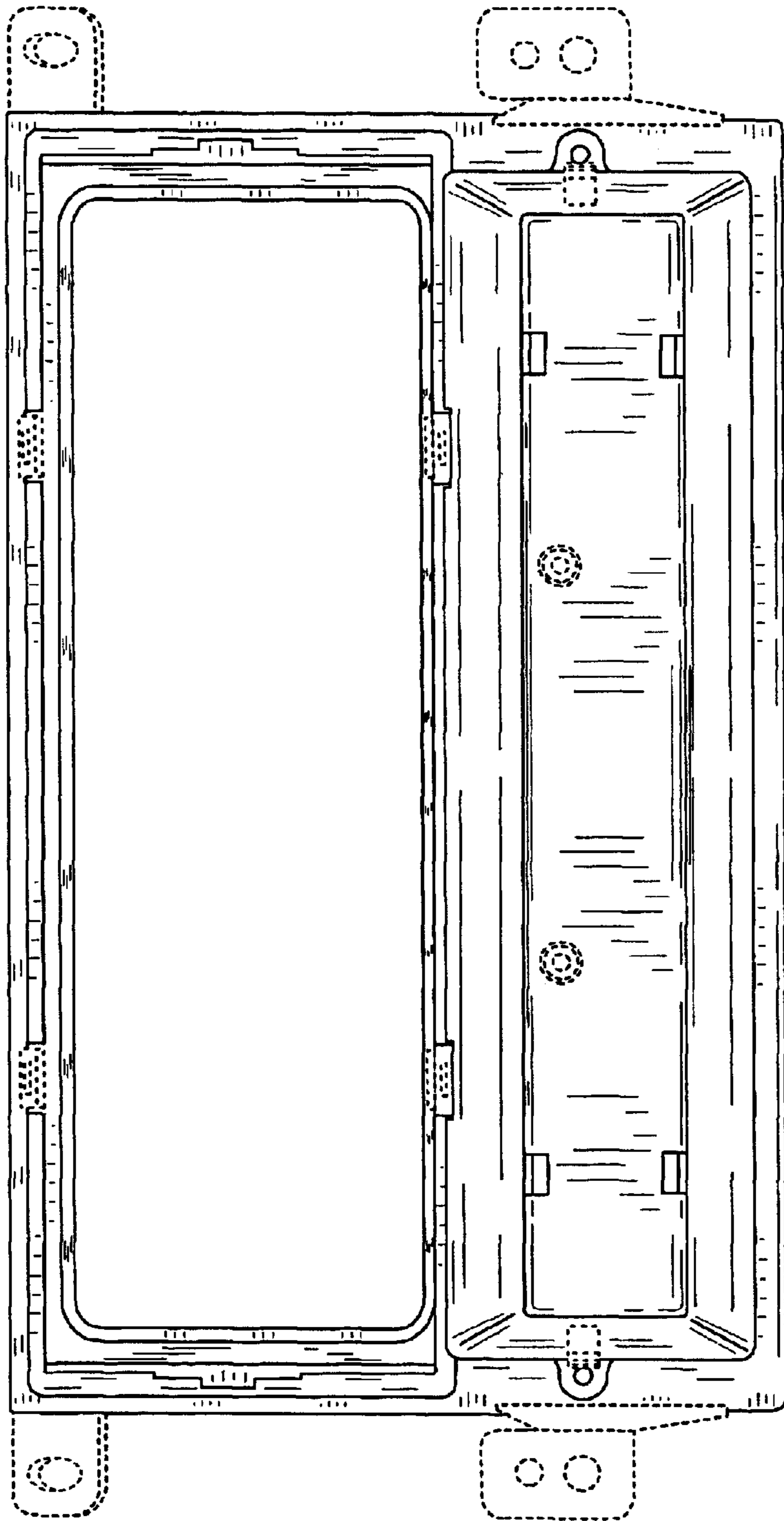


FIG. 6